



US00D776525S

(12) **United States Design Patent**  
**Trombetta**

(10) **Patent No.:** **US D776,525 S**  
(45) **Date of Patent:** **\*\* Jan. 17, 2017**

- (54) **CAPSULE**
- (71) Applicant: **2266170 Ontario Inc.**, Mississauga, Ontario (CA)
- (72) Inventor: **Liberatore A. Trombetta**, Ancaster (CA)
- (73) Assignee: **2266170 Ontario Inc.** (CA)
- (\*\*) Term: **15 Years**
- (21) Appl. No.: **29/560,970**
- (22) Filed: **Apr. 12, 2016**

**Related U.S. Application Data**

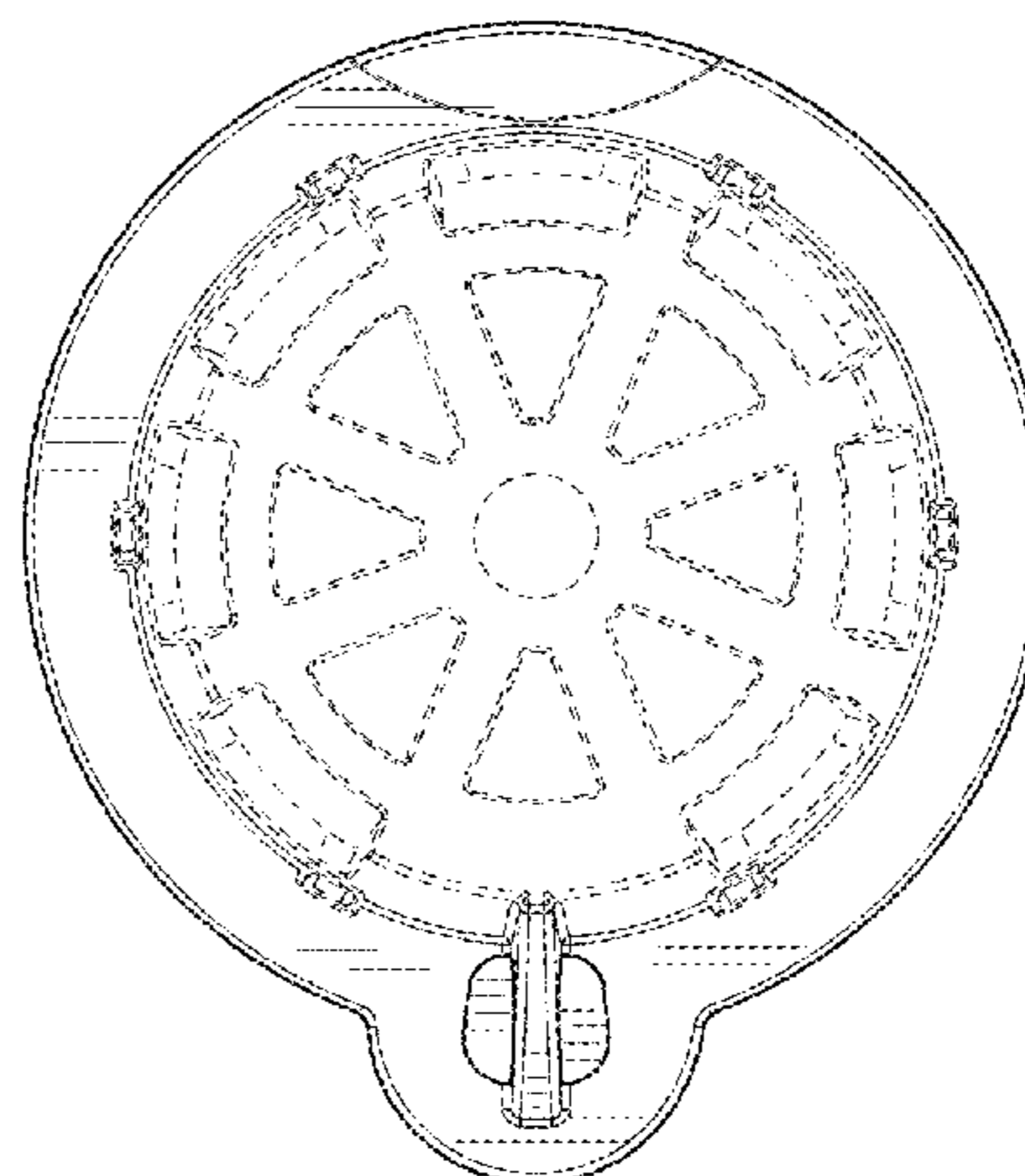
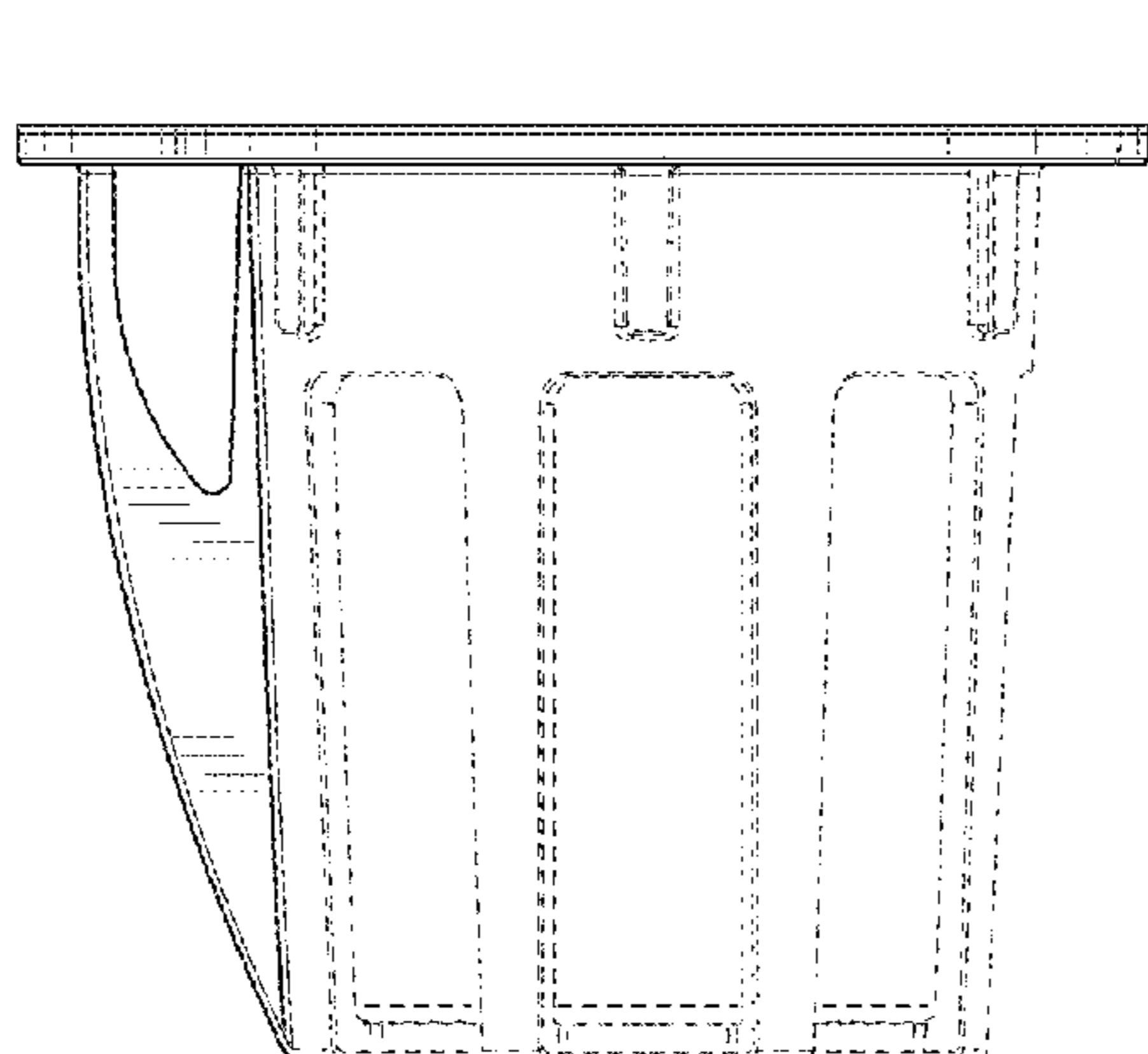
- (62) Division of application No. 29/511,583, filed on Dec. 11, 2014, now Pat. No. Des. 757,537.
- (51) **LOC (10) Cl.** ..... **09-03**
- (52) **U.S. Cl.**  
USPC ..... **D9/429**
- (58) **Field of Classification Search**  
USPC ..... D9/414, 416, 418, 419, 423, 424, D9/425, 428, 434, 435, 438, 440, 447, D9/454, 499, 442, 444, 500, 501, 502, D9/503, 504, 505, 535, 544, 696, 715, D9/716, 733, 777; D7/509, 510, 511, 532, D7/538, 554.2, 309, 601, 602, 619.1, 665, D7/415, 900; 229/906.1, 405; 220/359.2; 206/216, 5, 222, 217, 548, 528, 532, 530; D3/202; 426/77, 80, 115, 122  
CPC ..... B65D 85/8043; B65D 85/8046; B65D 2565/385; B65D 2575/583; B65D 25/08; B65D 47/283; B65D 53/02; B65D 75/5883; B65D 81/18; B65D 81/3227; B65D 85/70  
See application file for complete search history.

2,960,257 A	4/1959	Sasse	
2,919,844 A	1/1960	Anderson	
3,128,029 A	4/1964	Price et al.	
3,180,537 A	4/1965	Collins	
3,283,942 A	11/1966	Collie	
3,527,020 A	9/1970	Mancini	
D235,246 S *	6/1975	Evans .....	D9/416
D241,228 S	8/1976	Boduch	
D244,063 S	4/1977	Christian	
4,020,969 A	5/1977	Ando	
D245,672 S	9/1977	Grantham	
D247,548 S	3/1978	Crary	
D249,645 S	9/1978	Tedesco	
4,213,539 A	7/1980	Reuter	
4,215,797 A	8/1980	Chen	
D258,350 S	2/1981	Scott et al.	
D259,625 S	6/1981	Hamilton et al.	
D263,447 S	3/1982	Brown	
D280,075 S	8/1985	Haag, Sr.	
D280,076 S	8/1985	Haag, Sr.	
4,684,015 A	8/1987	Vezirian et al.	
D296,525 S	7/1988	Siegel	
D306,974 S *	4/1990	Tholstrup .....	D9/424
D312,400 S	11/1990	Schwaikert	
D321,477 S	11/1991	Gunter	
D334,113 S	3/1993	Lewis et al.	
5,265,745 A	11/1993	Pereyra et al.	
5,372,268 A	12/1994	Han	
5,456,351 A	10/1995	Johnson	
D400,397 S	11/1998	Stephan	
5,860,544 A	1/1999	Brucker	
D416,796 S	11/1999	Smith	
6,237,777 B1	5/2001	Bierly	
D445,674 S	7/2001	Pritchett	
D452,433 S	12/2001	Lazaris	
D452,434 S	12/2001	Sweeney	
D467,800 S	12/2002	Chen et al.	
D473,788 S	4/2003	Chen et al.	
D474,110 S	5/2003	Sweeney	
D474,111 S	5/2003	Lazaris	
6,645,537 B2 *	11/2003	Sweeney .....	B65D 85/8043 206/222
D501,368 S	2/2005	Roth et al.	
D502,362 S	3/2005	Lazaris et al.	
D519,831 S *	5/2006	de Cleir .....	D9/428
D532,298 S	11/2006	Vogel	
D532,691 S	11/2006	Vogel	
D536,579 S	2/2007	Roth et al.	
D559,623 S	1/2008	Schellenberg	
D568,156 S	5/2008	Wilson et al.	
D572,133 S	7/2008	Wilson et al.	
D577,253 S	9/2008	Bodum	
D577,288 S	9/2008	Wilson et al.	

(56) **References Cited**

**U.S. PATENT DOCUMENTS**

D4,260 S      7/1870 Doyle  
2,828,789 A    8/1955 Groendyk et al.



(56)

References Cited

U.S. PATENT DOCUMENTS

D604,157 S 11/2009 Reiterer et al.  
 D606,363 S 12/2009 Aardenburg  
 D608,499 S 1/2010 Hodgson et al.  
 D632,563 S 2/2011 Sitabkhan et al.  
 D635,399 S 4/2011 DelVecchio  
 D636,670 S \* 4/2011 Schedl ..... D9/435  
 D637,484 S 5/2011 Winkler  
 D642,055 S 7/2011 Schedl et al.  
 D642,454 S 8/2011 Santoiemmo  
 D642,455 S 8/2011 Santoiemmo  
 D642,463 S 8/2011 Schedl et al.  
 D646,968 S 10/2011 Ortiz et al.  
 D647,398 S 10/2011 Winkler  
 D647,399 S 10/2011 Winkler  
 D650,269 S 12/2011 Berggren  
 D651,508 S 1/2012 Layfield  
 D652,266 S 1/2012 Smyers  
 D656,009 S 3/2012 Ortiz et al.  
 D656,010 S 3/2012 Ortiz et al.  
 D658,493 S 5/2012 Cometto  
 D671,831 S 12/2012 Moreau  
 D675,091 S 1/2013 Cook et al.  
 8,381,935 B1 2/2013 Buck  
 D684,048 S 6/2013 Hodge et al.  
 D685,263 S 7/2013 Danenberg  
 D686,496 S 7/2013 Sträuli  
 D686,916 S 7/2013 O'Brien  
 D687,297 S 8/2013 O'Brien et al.  
 D689,768 S 9/2013 Inderbitzin  
 D695,110 S 12/2013 Houlton et al.  
 D695,111 S 12/2013 Hansen et al.  
 D697,797 S 1/2014 Hansen  
 D698,649 S 2/2014 Quint  
 D699,566 S 2/2014 De Prá  
 D700,839 S 3/2014 O'Brien et al.  
 D703,035 S 4/2014 Zanetti  
 D703,039 S 4/2014 Hansen  
 D705,057 S 5/2014 Brunner  
 D711,742 S 8/2014 Humm et al.  
 D715,649 S 10/2014 O'Brien  
 D716,648 S 11/2014 Tan  
 D721,536 S 1/2015 Advani  
 8,950,315 B2 2/2015 Lai et al.  
 8,962,049 B2 2/2015 Doleac et al.  
 D723,868 S 3/2015 Hertaus  
 D726,537 S 4/2015 Trombetta  
 9,003,958 B2 4/2015 Scrivani  
 D730,174 S 5/2015 O'Brien  
 D731,884 S 6/2015 Trombetta  
 D731,890 S 6/2015 Trombetta  
 D732,390 S 6/2015 Trombetta  
 D732,949 S 6/2015 Schroeder et al.  
 D733,554 S 7/2015 Rubinstein  
 D734,985 S 7/2015 Furia  
 9,072,402 B2 7/2015 Ryser  
 D736,621 S 8/2015 Ivancic  
 D745,386 S \* 12/2015 Covey ..... D9/416  
 D745,824 S \* 12/2015 Ritter ..... D9/416  
 D763,078 S \* 8/2016 Roy ..... D9/434  
 D764,226 S \* 8/2016 Ming ..... D7/400  
 9,428,328 B2 \* 8/2016 Trombetta ..... B65D 85/8043  
 2005/0218143 A1 10/2005 Niederer et al.  
 2006/0151415 A1 7/2006 Smelko et al.  
 2006/0207911 A1 9/2006 Bullock  
 2007/0210092 A1 9/2007 Mazzarolo  
 2009/0200301 A1 8/2009 Beekman et al.  
 2010/0288131 A1 11/2010 Kilber et al.  
 2011/0183048 A1 7/2011 Noble et al.  
 2011/0212225 A1 \* 9/2011 Mariller ..... B65D 85/8043  
 426/80  
 2012/0052159 A1 \* 3/2012 Doleac ..... A47J 31/0668  
 426/79  
 2012/0201933 A1 8/2012 Dran et al.  
 2012/0273373 A1 11/2012 Wu  
 2013/0105340 A1 5/2013 Hother et al.

2013/0136828 A1 5/2013 Anghileri  
 2013/0220142 A1 \* 8/2013 Tremblay ..... A47J 31/005  
 99/323  
 2014/0120217 A1 5/2014 O'Brien et al.  
 2014/0120218 A1 5/2014 O'Brien et al.  
 2014/0161936 A1 6/2014 Trombetta et al.  
 2014/0161937 A1 6/2014 Rondelli  
 2014/0234494 A1 8/2014 Doglioni Majer  
 2014/0308406 A1 10/2014 O'Brien et al.  
 2014/0342059 A1 11/2014 Trombetta et al.  
 2014/0377413 A1 12/2014 Liu  
 2015/0001100 A1 1/2015 Bartoli et al.  
 2015/0017290 A1 1/2015 Rondelli  
 2015/0041475 A1 2/2015 Swamy  
 2015/0064311 A1 3/2015 Fu et al.  
 2015/0150409 A1 6/2015 Cross et al.  
 2015/0166257 A1 6/2015 Trombetta  
 2015/0191302 A1 7/2015 Gerbaulet et al.  
 2015/0196159 A1 7/2015 Spiegel et al.  
 2015/0201792 A1 7/2015 Doglioni Majer  
 2015/0203285 A1 7/2015 Baldo  
 2015/0209017 A1 7/2015 Fleming et al.

FOREIGN PATENT DOCUMENTS

CN 3102737 2/1999  
 CN 3102740 2/1999  
 CN 3102741 2/1999  
 CN 3103590 2/1999  
 CN 3336639 11/2003  
 CN 3336640 11/2003  
 CN 3336646 11/2003  
 CN 3340286 12/2003  
 CN 3386161 8/2004  
 CN 3429241 3/2005  
 CN 3442199 4/2005  
 CN 3442205 4/2005  
 CN 3448912 5/2005  
 CN 3448913 5/2005  
 CN 3469773 8/2005  
 CN 3570660 10/2006  
 CN 3597250 1/2007  
 CN 3614944 2/2007  
 CN 300707939 11/2007  
 CN 300707940 11/2007  
 CN 300707941 11/2007  
 CN 300707942 11/2007  
 CN 300710086 11/2007  
 CN 300710087 11/2007  
 CN 300710088 11/2007  
 CN 300710089 11/2007  
 CN 300815220 8/2008  
 CN 300833940 10/2008  
 CN 300843246 10/2008  
 CN 301347136 9/2010  
 CN 301437314 1/2011  
 CN 301505145 4/2011  
 CN 302041529 8/2012  
 CN 302141646 10/2012  
 CN 302141791 10/2012  
 CN 302297349 1/2013  
 CN 302370417 3/2013  
 CN 302439912 5/2013  
 EP 1243210 A1 9/2002  
 EP 2394932 A1 12/2011  
 EP 2973209 10/2012  
 EP 2520202 A1 11/2012  
 KR 300341422.0000 12/2006

OTHER PUBLICATIONS

U.S. Appl. No. 29/511,583, titled "Capsule," filed Dec. 11, 2014.  
 (unpublished).  
 U.S. Appl. No. 29/464,387, titled "Capsule," filed Aug. 15, 2013.  
 (unpublished).  
 U.S. Appl. No. 29/464,380, titled "Capsule," filed Aug. 15, 2013.  
 (unpublished).

(56)

**References Cited**

## OTHER PUBLICATIONS

U.S. Appl. No. 29/464,384, titled "Capsule," filed Aug. 15, 2013. (unpublished).

U.S. Appl. No. 29/464,393, titled "Capsule," filed Aug. 15, 2013. (unpublished).

U.S. Appl. No. 29/464,395, titled "Capsule," filed Aug. 15, 2013. (unpublished).

U.S. Appl. No. 29/464,399, titled "Capsule," filed Aug. 15, 2013. (unpublished).

U.S. Appl. No. 29/464,397, titled "Capsule," filed Aug. 15, 2013. (unpublished).

U.S. Appl. No. 29/485,747, titled "Capsule," filed Mar. 21, 2014. (unpublished).

U.S. Appl. No. 29/485,783, titled "Capsule," filed Mar. 21, 2014. (unpublished).

U.S. Appl. No. 29/485,784, titled "Capsule and/or Logo," filed Mar. 21, 2014. (unpublished).

Diabetes Daily. Design Challenge 1. Mar. 21, 2011 [online], [site visited Oct. 14, 2014]. Available from Internet, <<http://www.diabetesdaily.com/voices/files/2012/05/DesChallenge1B-thumb-400x300-243712112.jpg>>.

Life with Muscular Dystrophy. Food Accessibility Nightmares. Mar. 2012 [online], [site visited Oct. 14, 2014]. Available from Internet, <<http://musculardystrophybook.com/food-accessibility-is-a-problem>>.

Georgia Tech Research Institute. Contain Components and Variations. 2007 [online], [site visited Oct. 14, 2014]. Available from Internet, <[http://usability.gtri.gatech.edu/images/bottles\\_components\\_inner\\_seals.jpg](http://usability.gtri.gatech.edu/images/bottles_components_inner_seals.jpg)>.

Examiner Internet search URL, <<http://evewaspartiallyright.blogspot.com/2011/03/product-review-safeway-brand-greek.html>> [Date searched Mar. 3, 2015].

Examiner Internet search URL, <<http://www.soap.com/p/caribou-coffee-k-cup-coffee-mahogany-24-ct-155082>> [Date searched Mar. 3, 2015].

Examiner Internet search URL, <<http://depositphotos.com/10060401/stock-photo-k-cup-coffee-pods.html?sst=o&sqc=1&sqm=4&sq=36soav>> [Date searched Mar. 3, 2015].

Examiner Internet search URL, <<http://www.greenpackaging365.com/greenblog/?tag=bioplastics>> [Date searched Mar. 3, 2015].

Examiner Internet search URL, <<http://retaildesignblog.net/2012/07/04/artease-cafe-identify-by-splash-productions/>> [Date searched Mar. 3, 2015].

Examiner Internet search URL, <<https://www.google.com/search?q=plastic+container+with+herbal+tea+leaves&biw=1280>

&bih=715&source=Int&tbs=cdr%3A1%2Ccd\_min%3A%2Ccd\_max%3A8%2F14%2F2013&tbm=isch#tbs=cdra%2Ccd\_max:8%2F14%2F2013&tbm=isch&q=single+serve+cereal+container&imgcr=75Da5vzYmdBRfM%3A> [Date searched Sep. 11, 2015].

Examiner Internet search URL, <[https://www.google.com/search?q=herbal+tea+preparations&es\\_sm=122&biw=1280&bih=715&source=Int&tbs=cdr%3A1%2Ccd\\_min%3A%2Ccd\\_max%3A8%2F12%2012&tbm=isch#imgcr=\\_\\_](https://www.google.com/search?q=herbal+tea+preparations&es_sm=122&biw=1280&bih=715&source=Int&tbs=cdr%3A1%2Ccd_min%3A%2Ccd_max%3A8%2F12%2012&tbm=isch#imgcr=__)> [Date searched Sep. 11, 2015].

Examiner Internet search URL, <<http://www.myherbalsales.com/208>> [Date searched Sep. 11, 2015].

\* cited by examiner

*Primary Examiner* — Ian Simmons*Assistant Examiner* — Keith Frank(74) *Attorney, Agent, or Firm* — Saidman DesignLaw Group, LLC

(57)

**CLAIM**

The ornamental design for a capsule, as shown and described.

**DESCRIPTION**

FIG. 1 is a front perspective view of a capsule showing my new design;

FIG. 2 is a rear perspective view thereof;

FIG. 3 is a left side view thereof;

FIG. 4 is a front view thereof;

FIG. 5 is a right side view thereof;

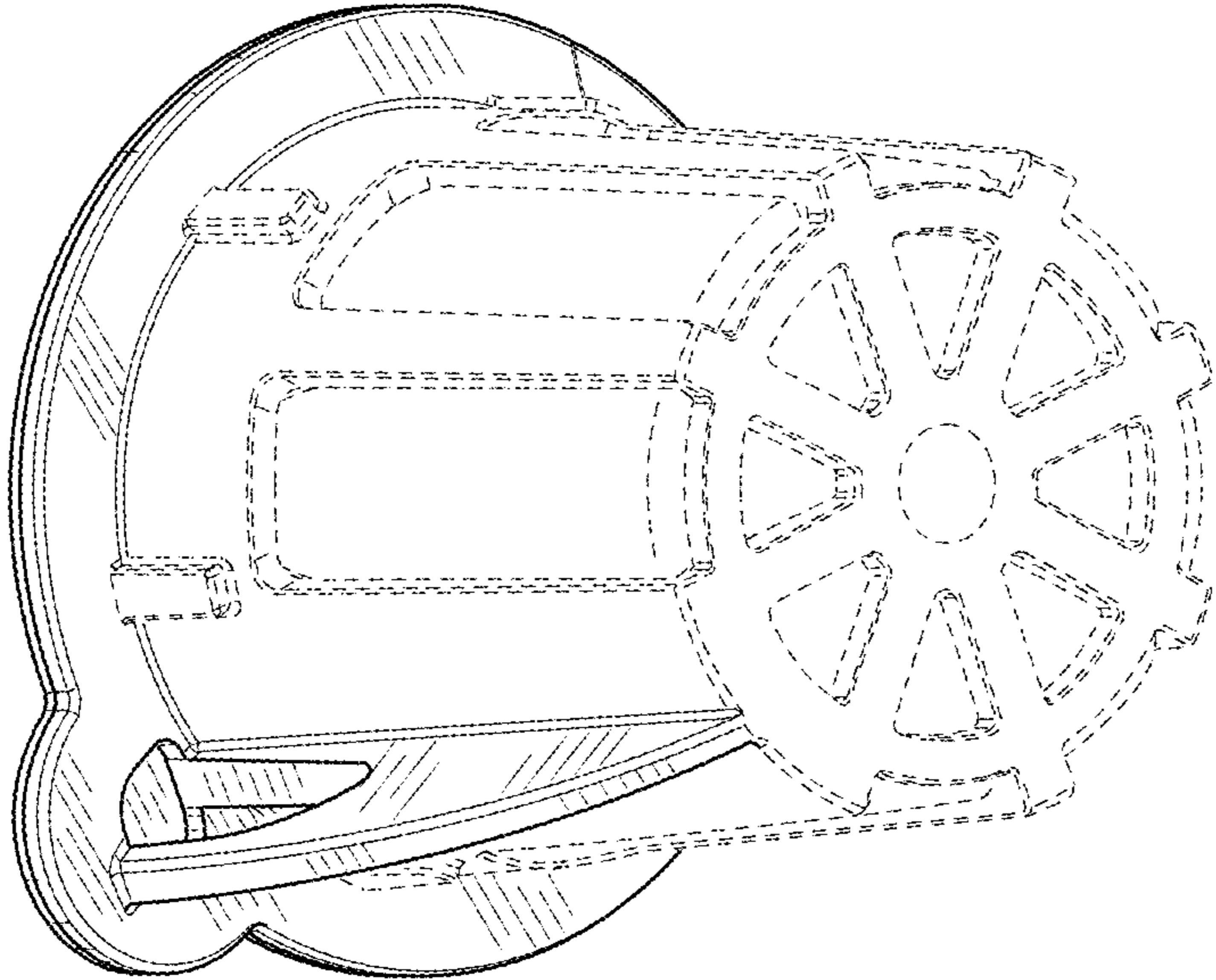
FIG. 6 is a rear view thereof;

FIG. 7 is a top view thereof; and,

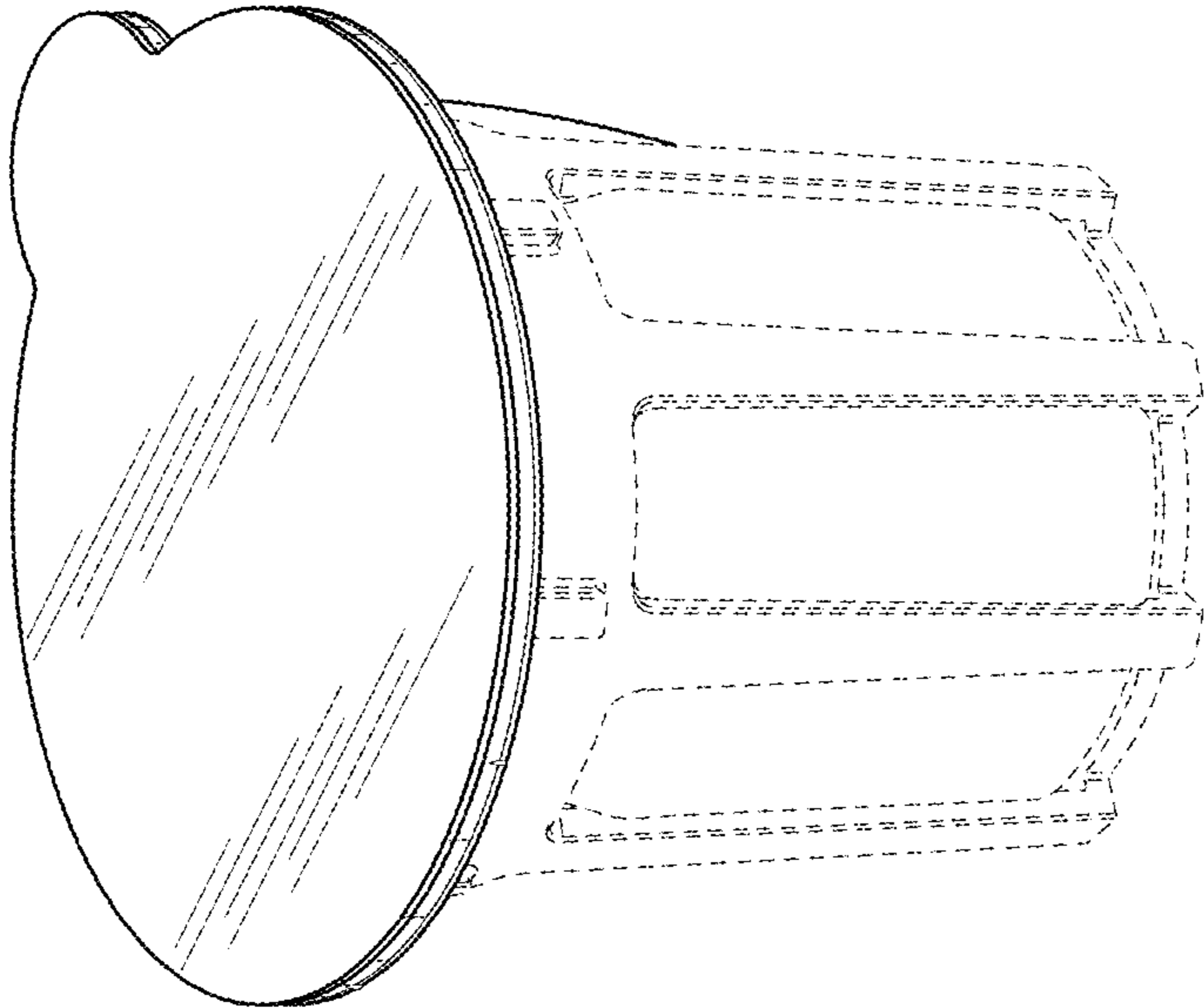
FIG. 8 is bottom view thereof.

The drawings include surface shading lines which represent contour, not surface ornamentation. The dashed broken lines represent structure or features that form no part of the claimed design.

**1 Claim, 3 Drawing Sheets**



**FIG. 2**



**FIG. 1**

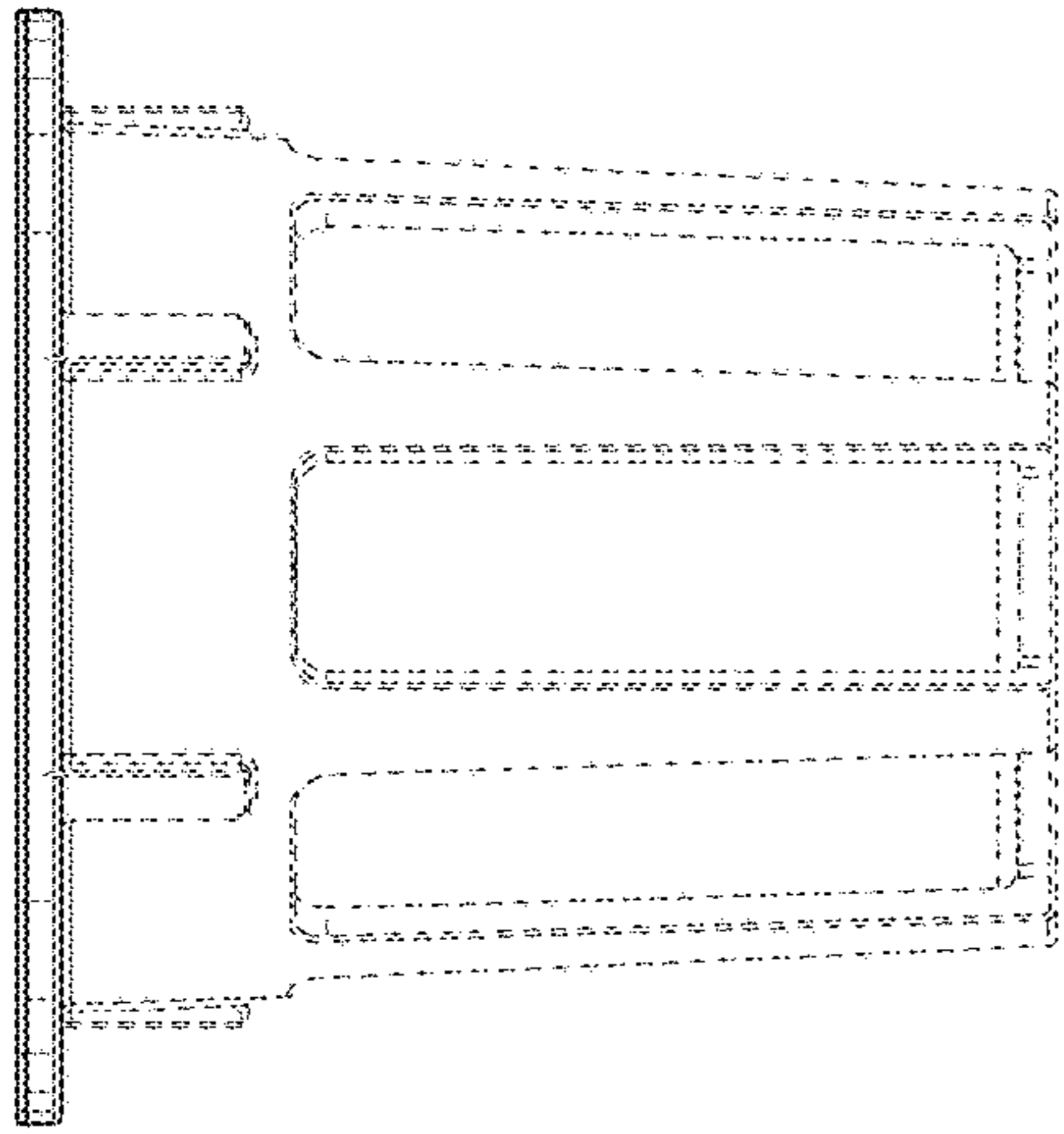


FIG. 3

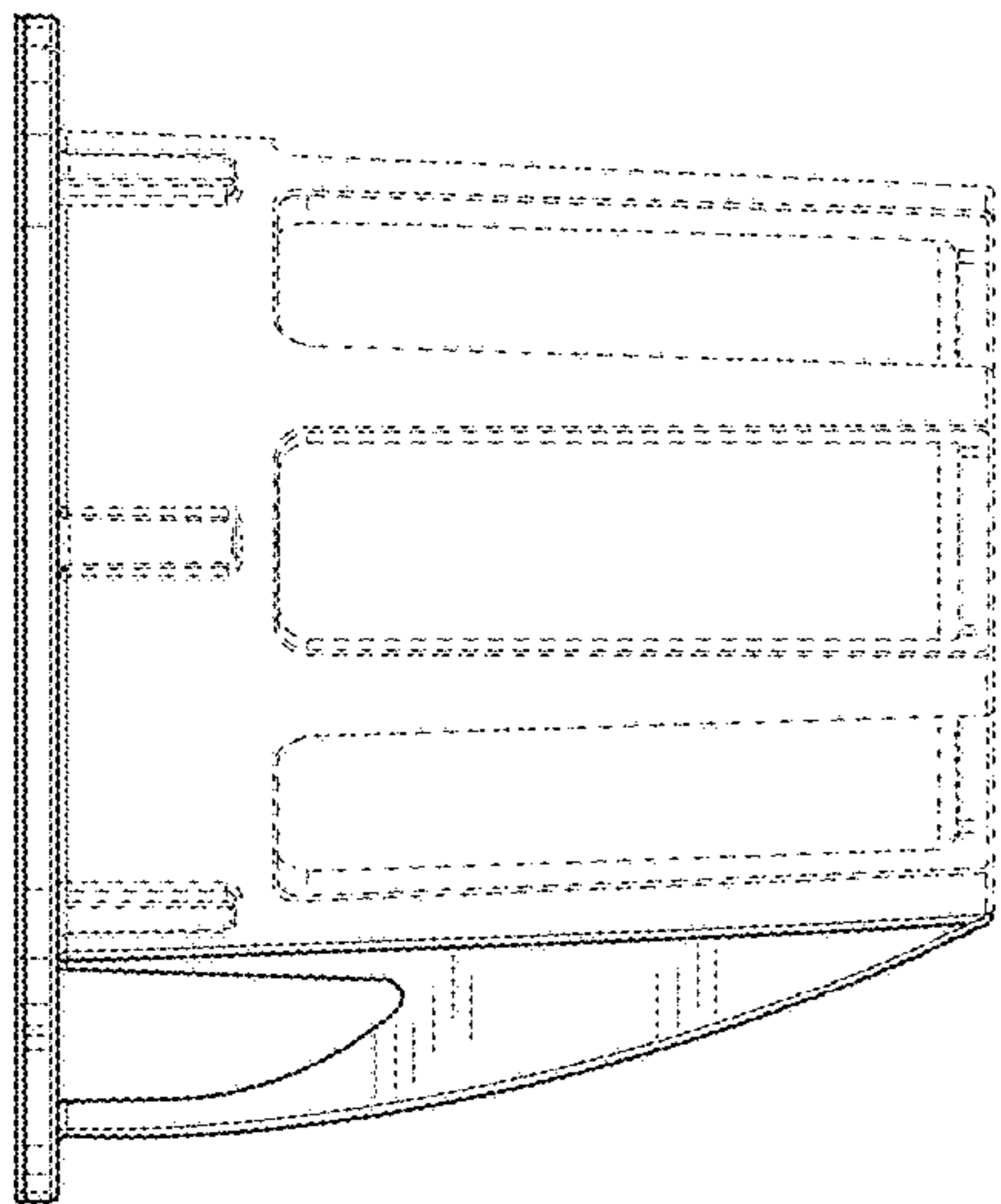


FIG. 4

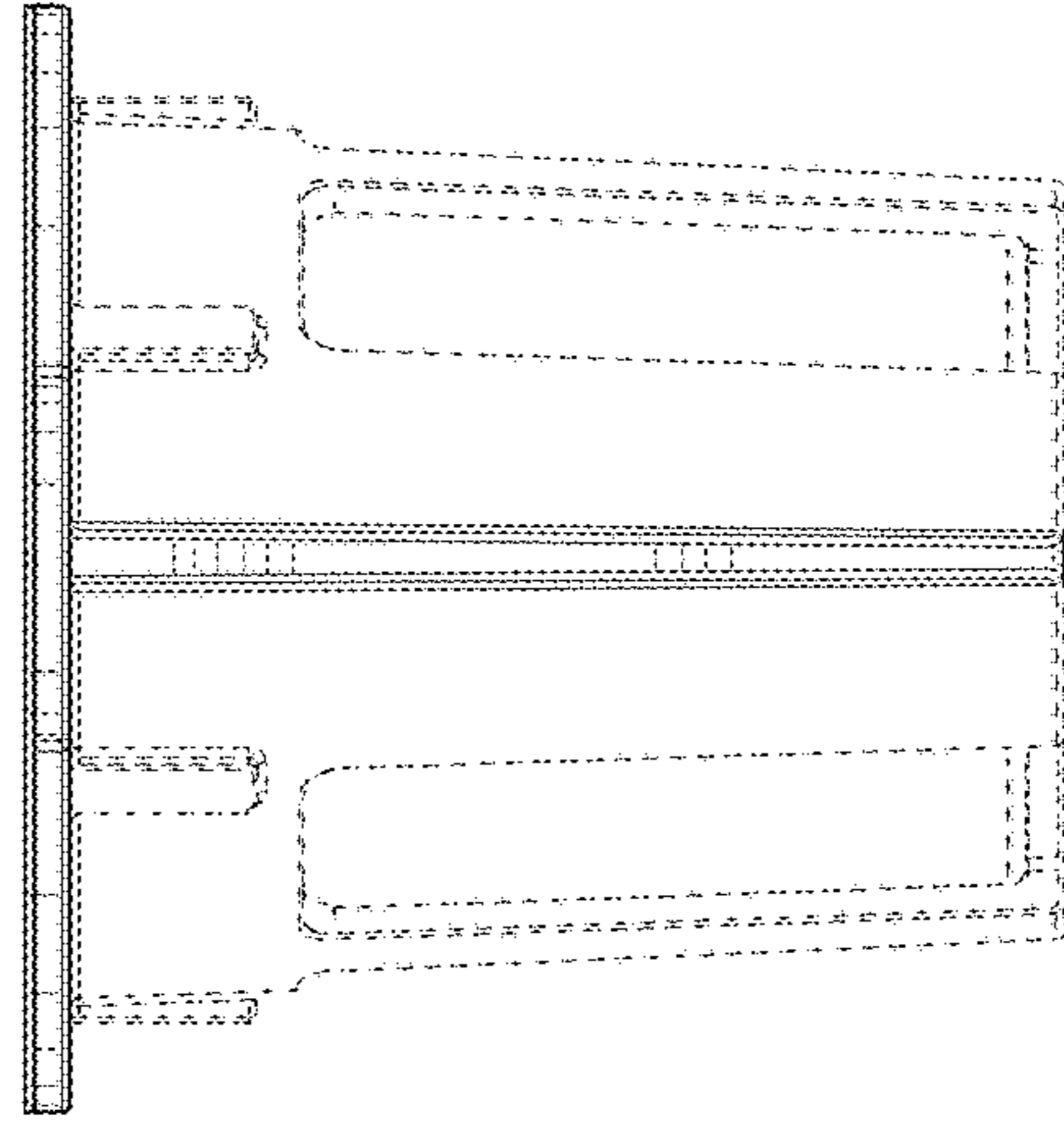


FIG. 5

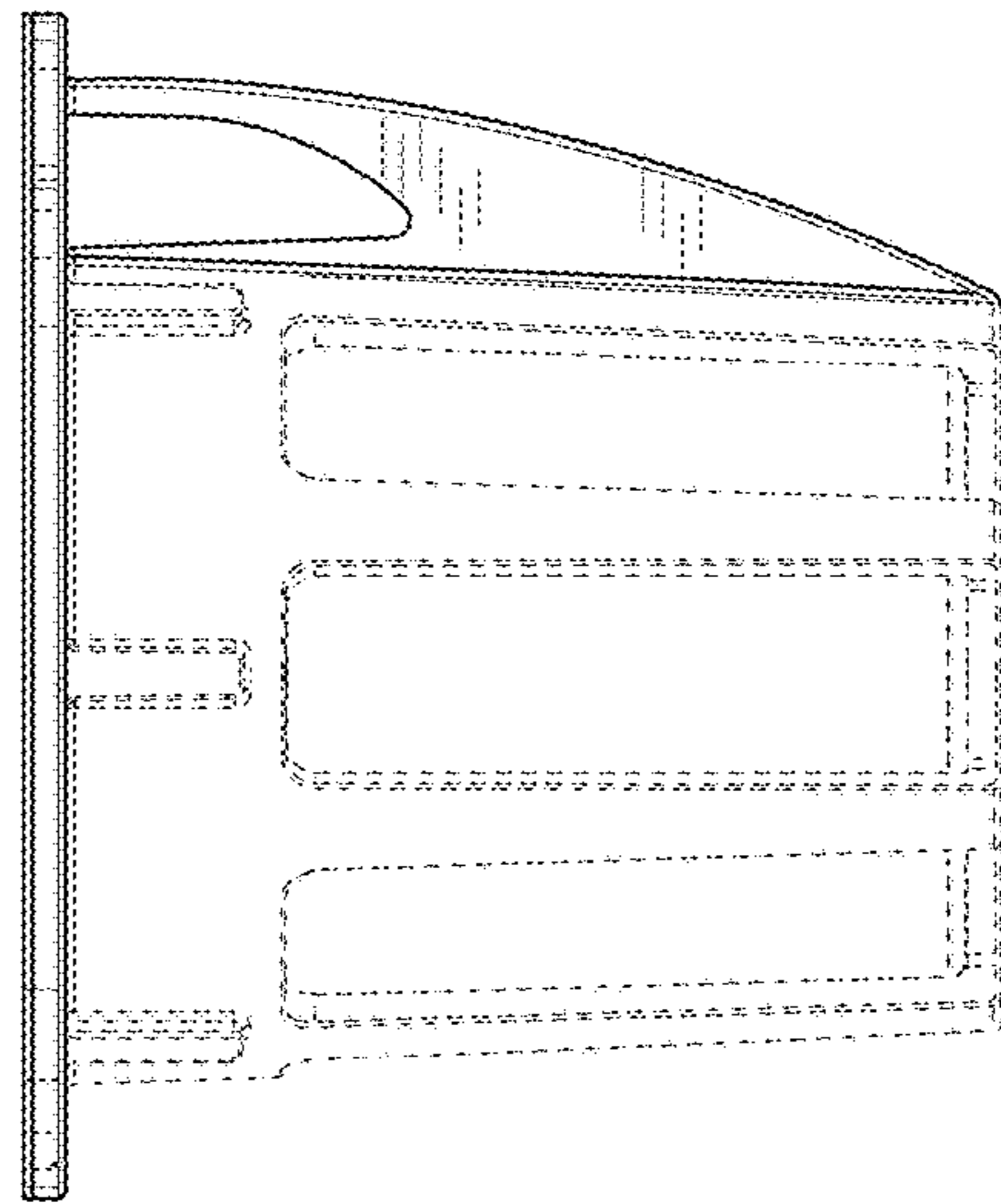


FIG. 6

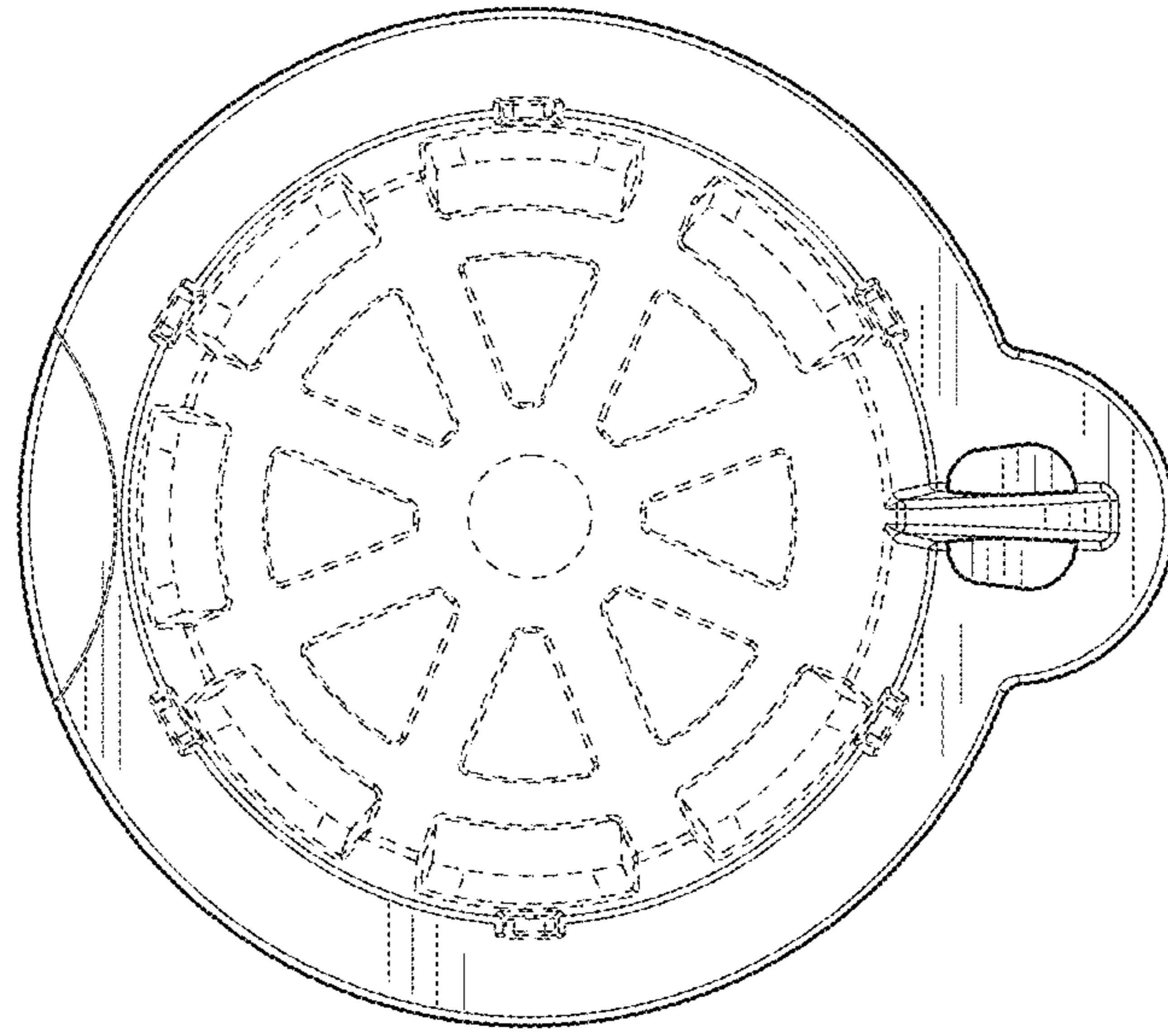


FIG. 8

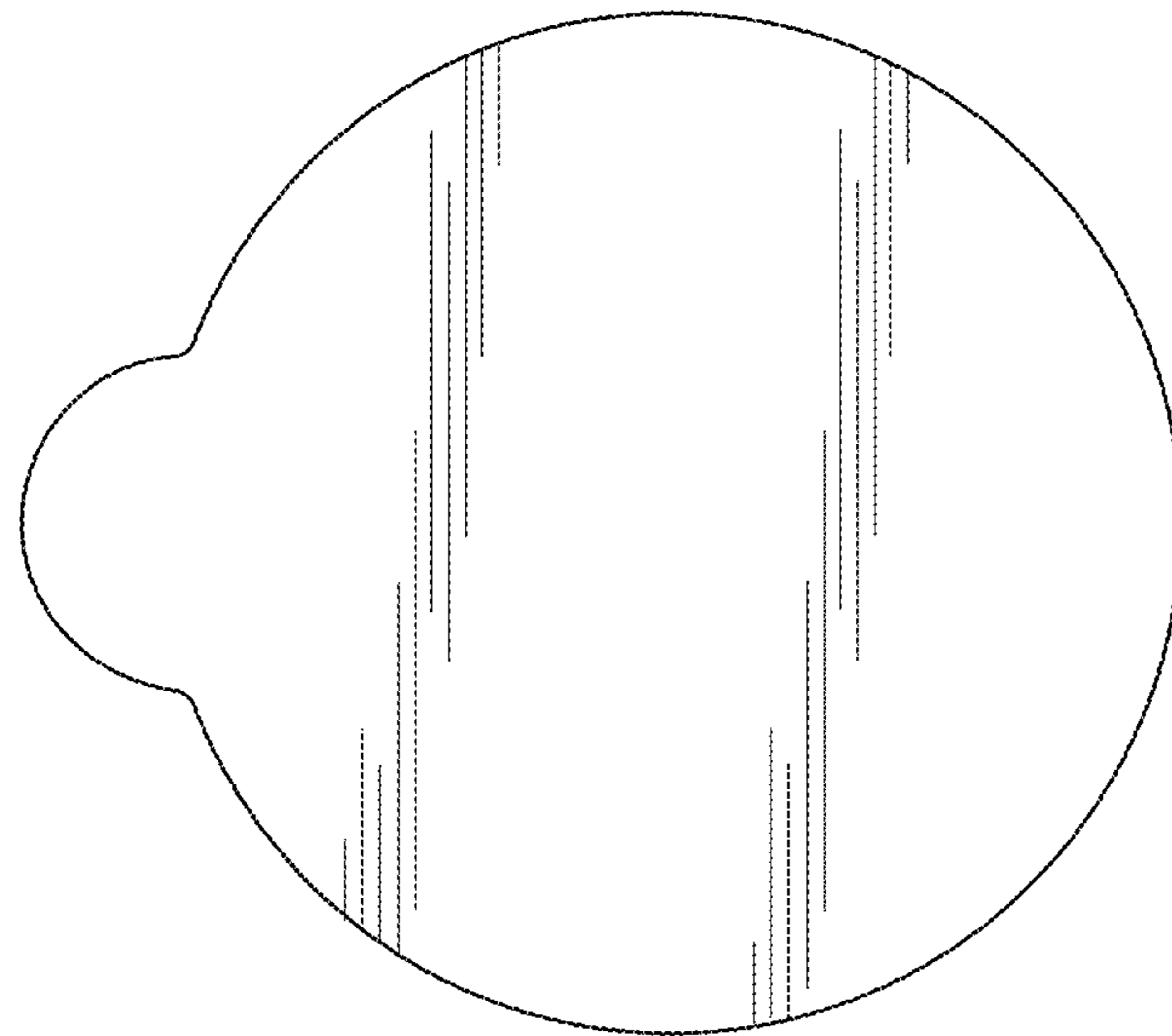


FIG. 7