



US00D776524S

(12) **United States Design Patent**  
**Albano et al.**

(10) **Patent No.:** **US D776,524 S**  
(45) **Date of Patent:** **\*\* Jan. 17, 2017**

(54) **PACKAGE FOR COSMETIC PRODUCTS**

(71) Applicant: **Natura Cosméticos S.A.**, Itapeperica da Serra (BR)

(72) Inventors: **Fulvio Gargano Albano**, Cajamar (BR); **Tomás Miller Tavares De Macedo**, São Paulo (BR); **Fernanda Saboia Salles**, São Paulo (BR); **Juliana Ahualli Pires Morgado**, Cajamar (BR)

(73) Assignee: **NATURA COSMÉTICOS S.A.**, Itapeperica da Serra SP (BR)

(\*\*) Term: **15 Years**

(21) Appl. No.: **29/529,351**

(22) Filed: **Jun. 5, 2015**

(51) **LOC (10) Cl.** ..... **09-03**

(52) **U.S. Cl.**  
USPC ..... **D9/428; D9/549; D9/552**

(58) **Field of Classification Search**  
USPC ..... D9/434–435, 444–445, 454, 500, D9/502–505, 516, 529, 549, 555, 558, D9/568, 575; D28/4–8, 73, 76–77, 91  
CPC ..... B65D 1/10; B65D 23/00; B65D 2501/00  
See application file for complete search history.

(56) **References Cited**

**U.S. PATENT DOCUMENTS**

D498,678 S *	11/2004	Ames	.....	D28/82
D503,889 S *	4/2005	Yeung	.....	D9/529
D525,136 S *	7/2006	Bakic	.....	D28/82
D547,661 S *	7/2007	Blasko	.....	D9/454
D581,279 S *	11/2008	Oates	.....	D28/76
D588,011 S *	3/2009	Shimizu	.....	D9/454
D615,867 S *	5/2010	Sagaseki	.....	D9/529
D615,868 S *	5/2010	Rodriguez	.....	D28/76

D635,030 S *	3/2011	L'Abbate	.....	D9/529
D638,300 S *	5/2011	L'Abbate	.....	D9/529
D651,519 S *	1/2012	Gibson	.....	D9/428
D656,029 S *	3/2012	Nagata	.....	D9/445
D676,324 S *	2/2013	DeMarco	.....	D9/503
D728,372 S *	5/2015	Behar	.....	D9/454
D729,067 S *	5/2015	Behar	.....	D9/454
D736,643 S *	8/2015	Mettler	.....	D9/574
D746,147 S *	12/2015	Watabe	.....	D9/445
D756,778 S *	5/2016	Velmer	.....	D9/449
D757,010 S *	5/2016	Kang	.....	D14/420

\* cited by examiner

*Primary Examiner* — Ian Simmons

*Assistant Examiner* — Keith Frank

(74) *Attorney, Agent, or Firm* — B. Aaron Schulman, Esq.; Stites & Harbison, PLLC.

(57) **CLAIM**

The ornamental design for an package for cosmetic products, as shown and described.

**DESCRIPTION**

FIG. 1 is a perspective view taken from the top and front side of the package for cosmetic products in accordance the present invention.

FIG. 2 is a right side elevation view of the package for cosmetic products of FIG. 1.

FIG. 3 is a left side elevation view of the package for cosmetic products of FIG. 1.

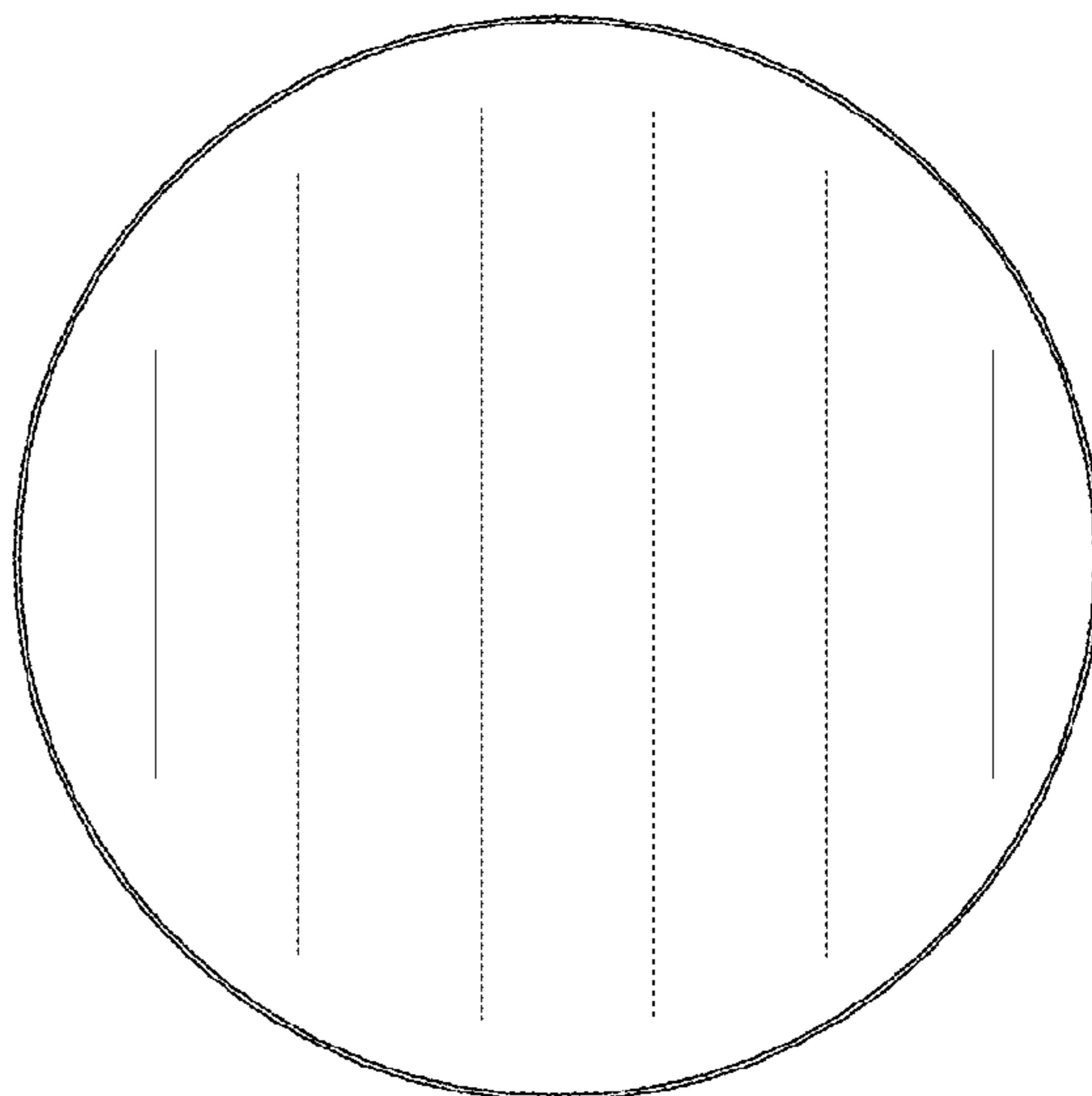
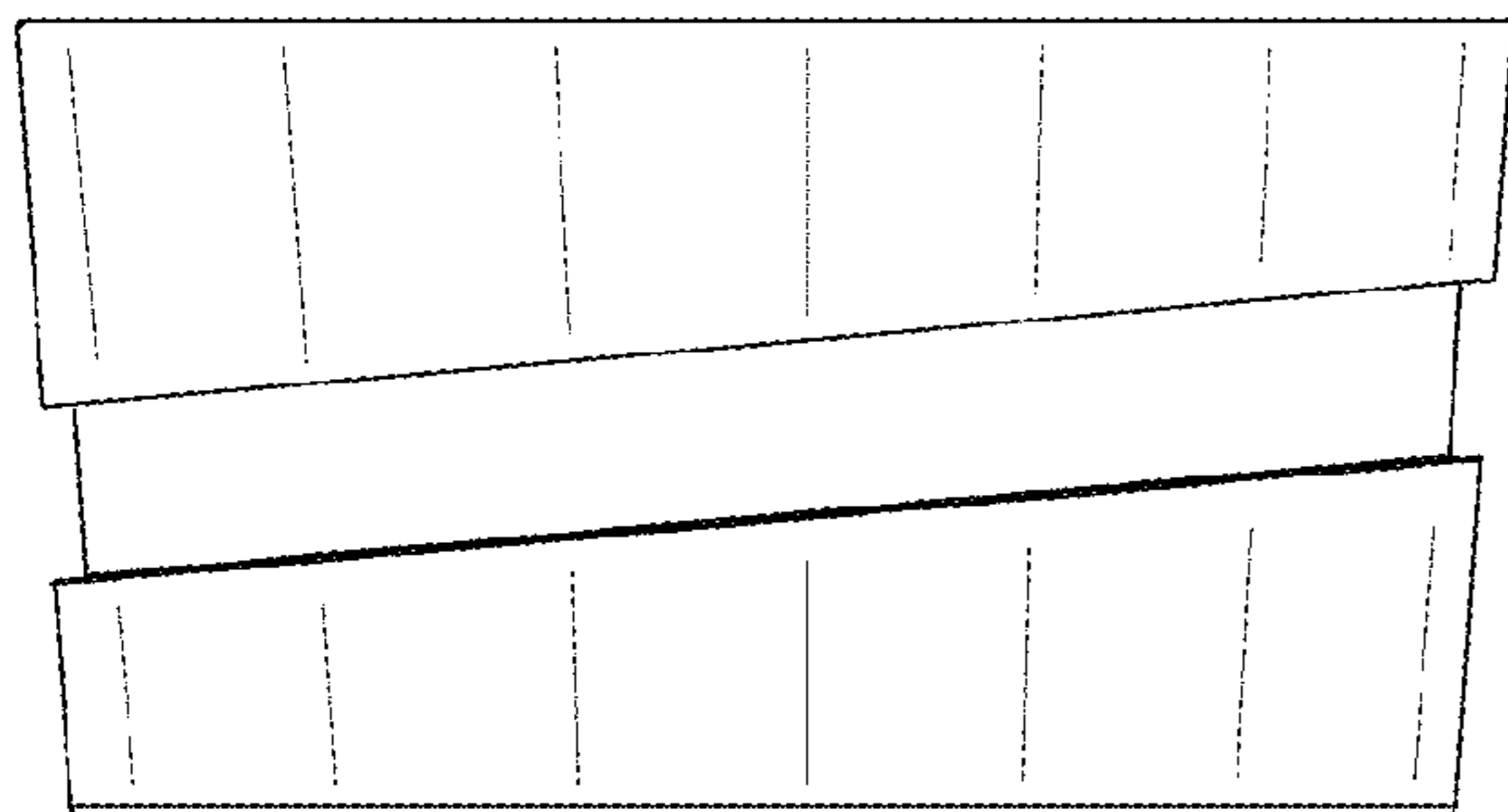
FIG. 4 is a front elevation view of the package for cosmetic products of FIG. 1.

FIG. 5 is a rear elevation view of the package for cosmetic products of FIG. 1.

FIG. 6 is a top plan view of the package for cosmetic products of FIG. 1; and,

FIG. 7 is a bottom plan view of the package for cosmetic products of FIG. 1.

**1 Claim, 2 Drawing Sheets**



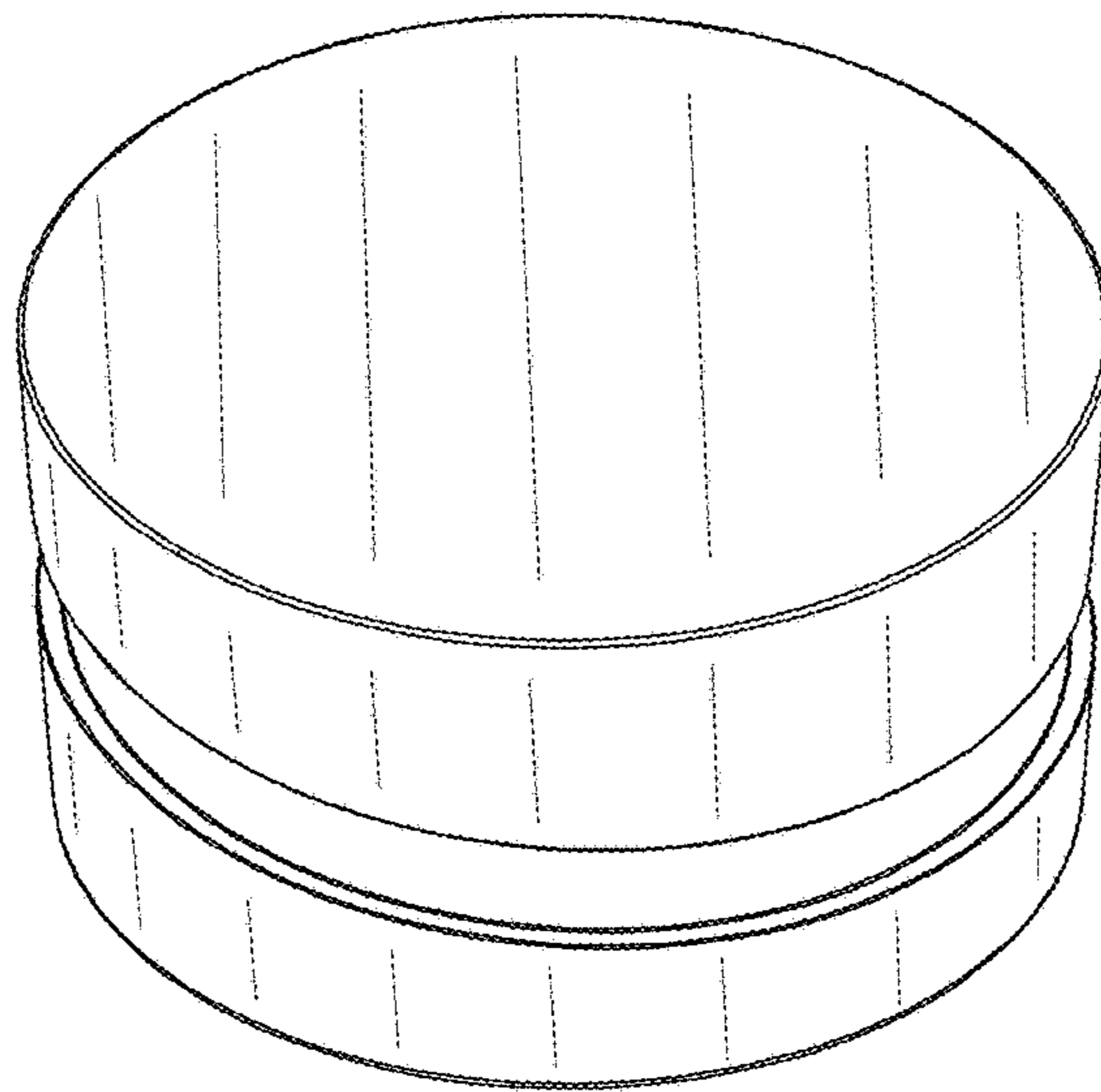


FIG. 1

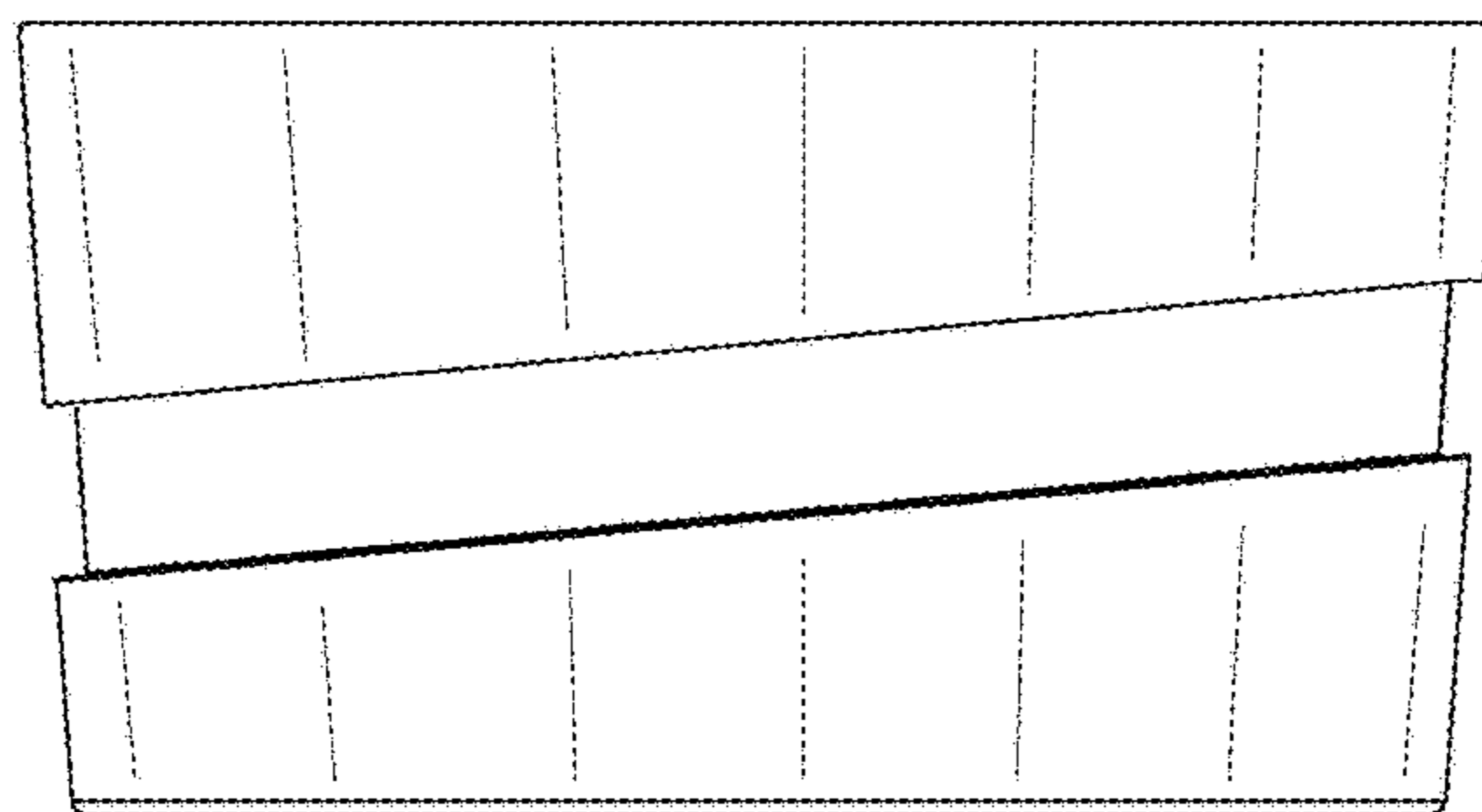


FIG. 2

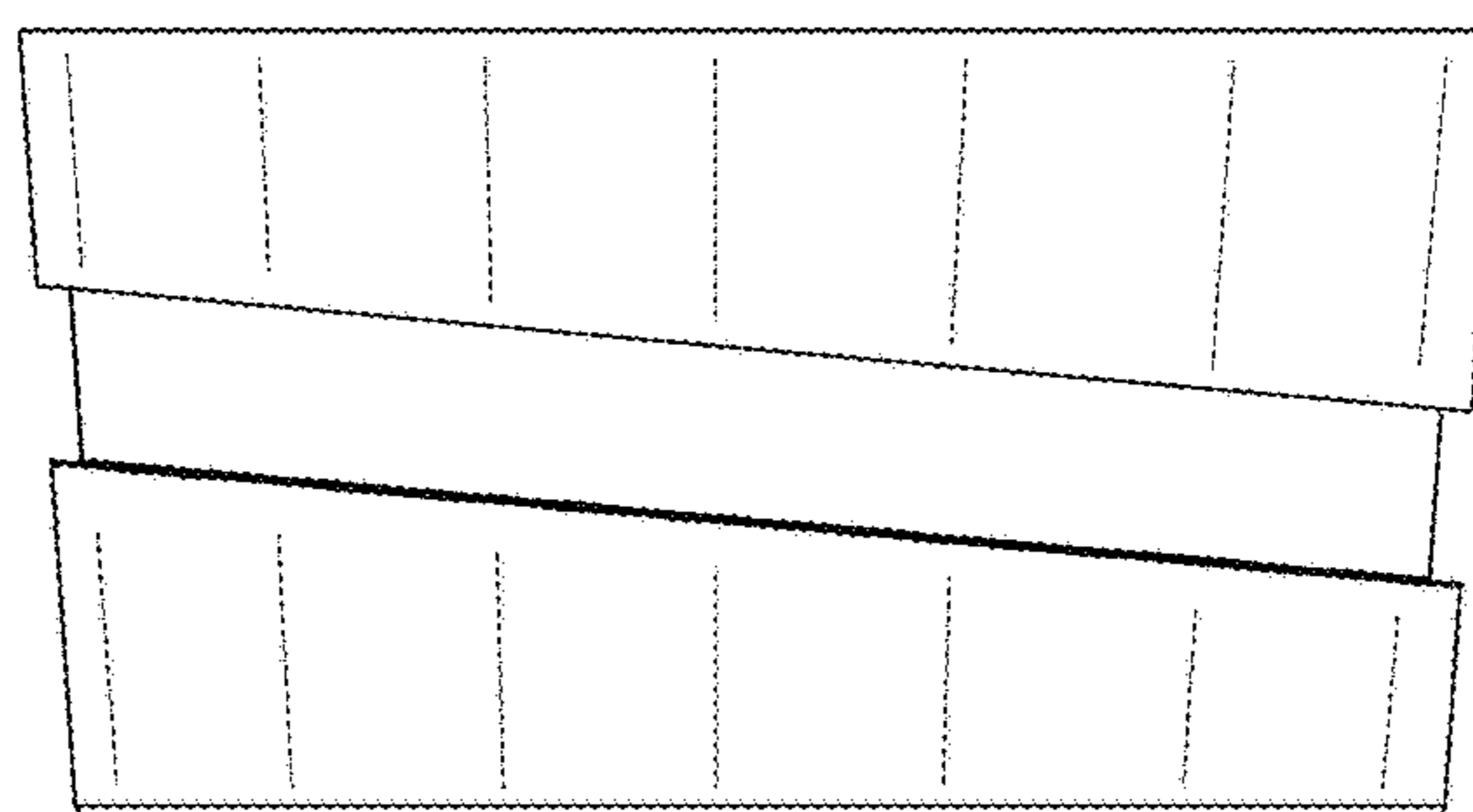


FIG. 3

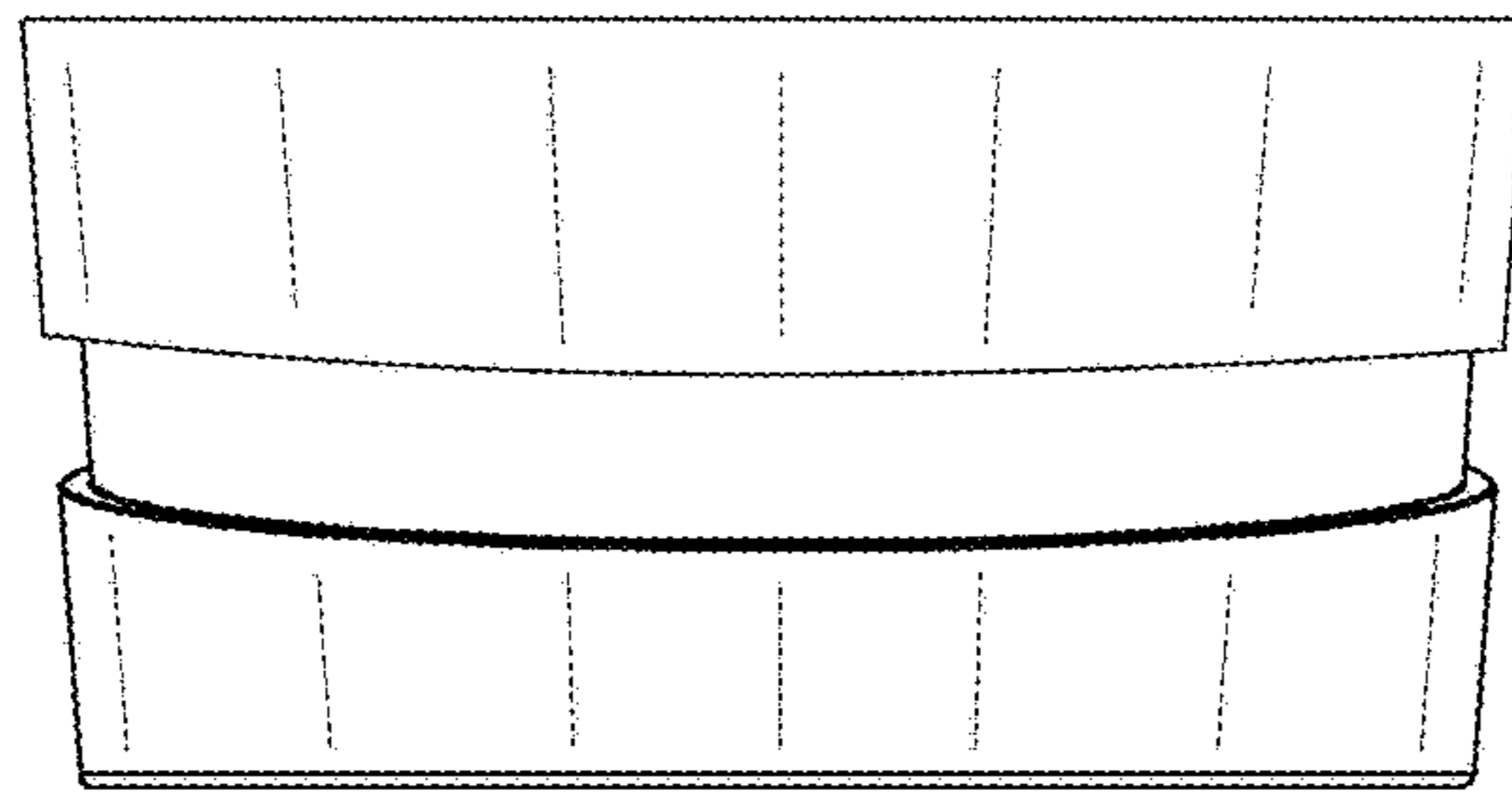


FIG. 4

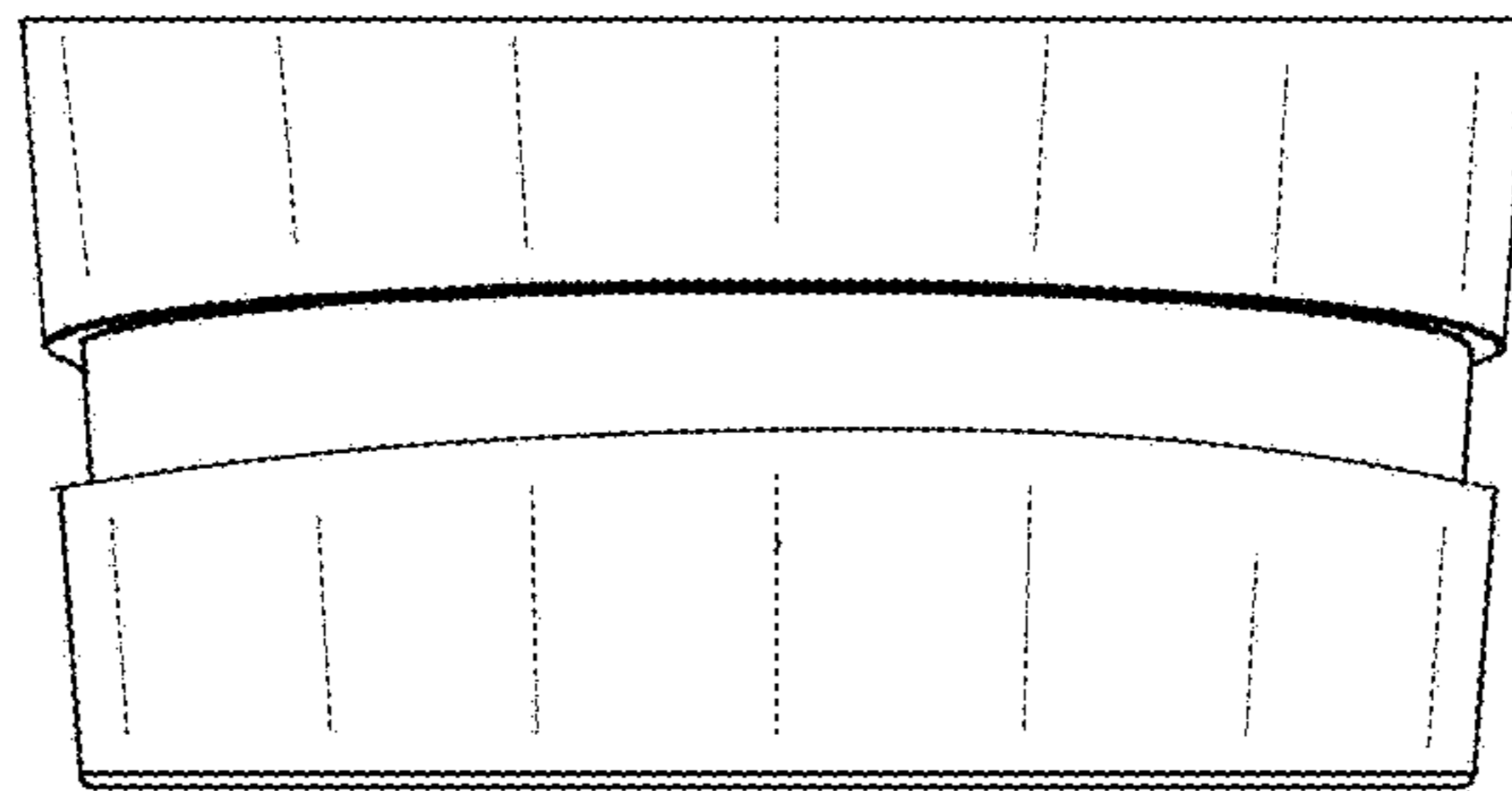


FIG. 5

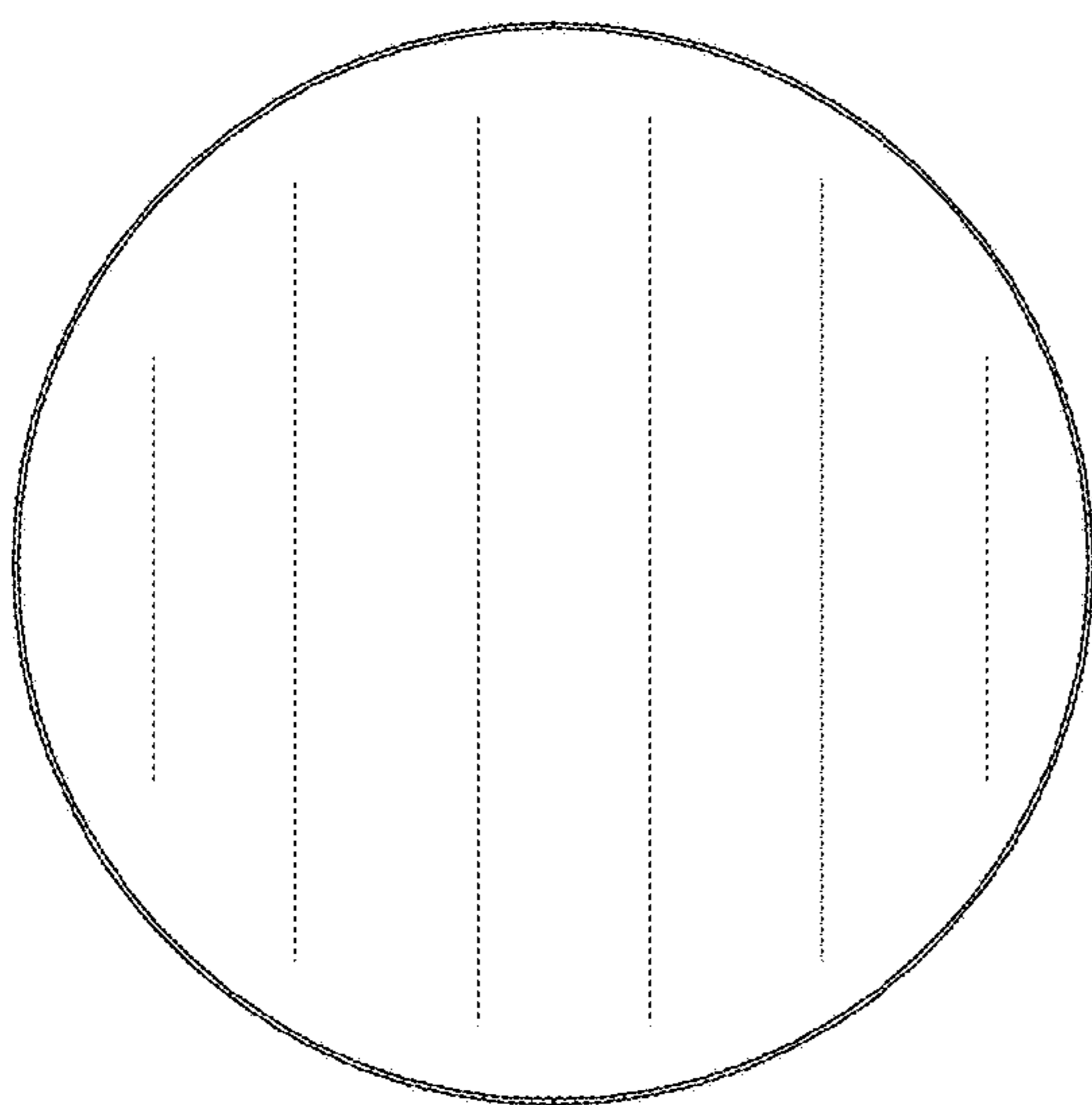


FIG. 6

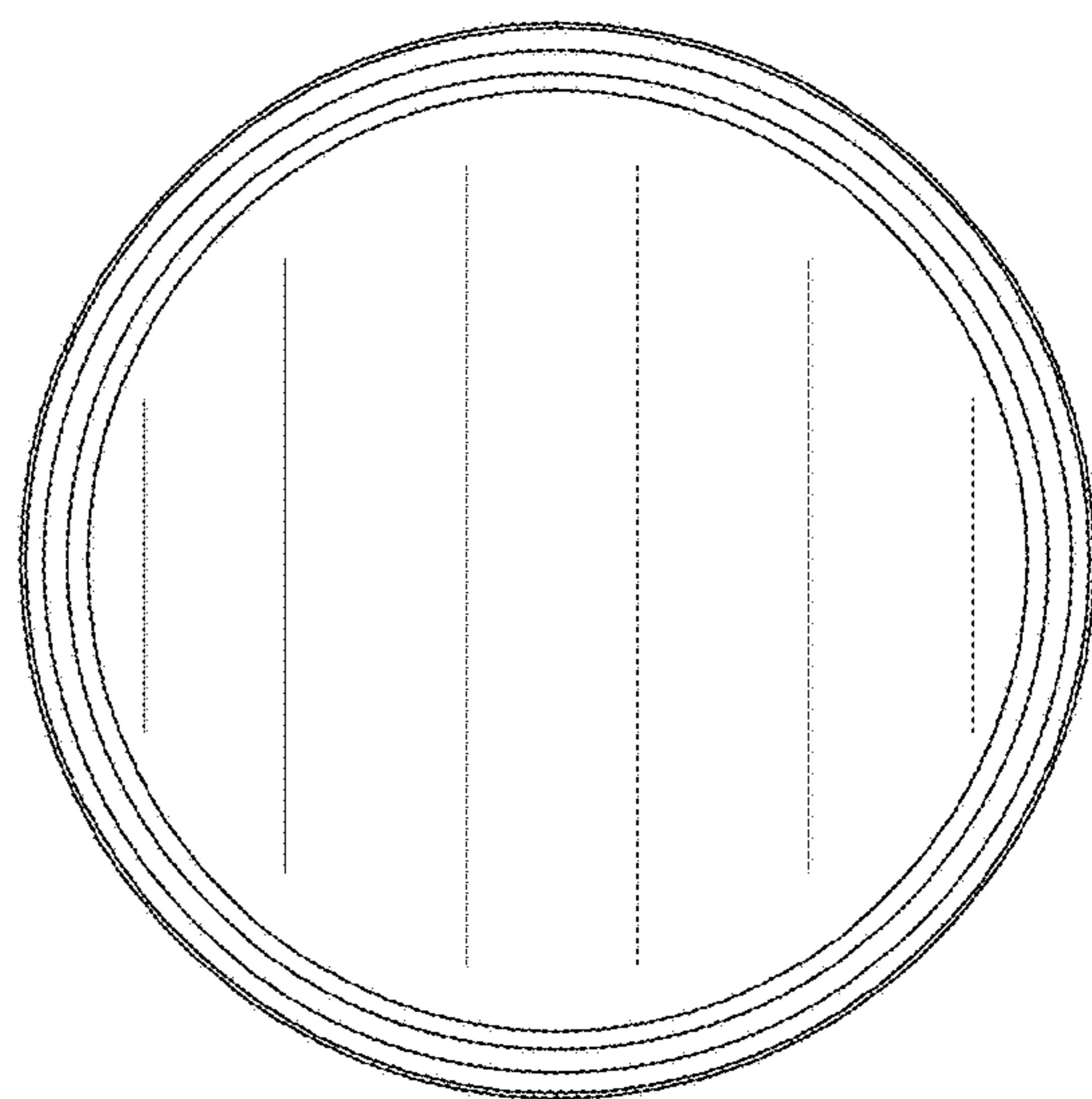


FIG. 7