



US00D776523S

(12) **United States Design Patent** (10) **Patent No.:** **US D776,523 S**  
**Sabbag et al.** (45) **Date of Patent:** **\*\* Jan. 17, 2017**

(54) **CASE**  
(71) Applicant: **The Stanley Works Israel Ltd.**, Rosh Ha'Ayin (IL)  
(72) Inventors: **Yosi Sabbag**, Holon (IL); **Nadin Daniel Horovitz**, Rehovot (IL); **Abraham Faibish**, Jerusalem (IL)  
(73) Assignee: **The Stanley Works Israel Ltd.**, Rosh Ha'Ayin (IL)  
(\*\*) Term: **14 Years**  
(21) Appl. No.: **29/513,805**  
(22) Filed: **Jan. 6, 2015**  
(30) **Foreign Application Priority Data**  
Jul. 9, 2014 (EM) ..... 001416077  
(51) **LOC (10) Cl.** ..... **09-03**  
(52) **U.S. Cl.**  
USPC ..... **D9/425**; D3/905; D3/276  
(58) **Field of Classification Search**  
USPC ..... D9/414, 415, 416, 417, 418, 419, 420, D9/421, 422, 423, 424, 425, 426, 427, D9/428, 429, 431, 432, 433; D7/619.1, D7/629; 229/401, 406, 407, 904, 906, 229/909; 220/656, 220/657, 659, 662, 220/665, 669-675, 912, 915.1, 4.21-4.25; 206/139, 214, 217, 431, 528, 530, 538, 206/541, 553, 557  
CPC ..... A47G 21/14; A47J 47/14; B65D 1/22; B65D 1/34; B65D 1/36; B65D 1/40; B65D 1/46; B65D 21/083; B65D 21/0234; B65D 43/162; B65D 77/245; B65D 2543/00092; B65D 2543/00101; B65D 2543/00296; B65D 3/28; B65D 5/4204; B65D 7/46; B65D 85/12; B65D 85/34; B21D 51/2646; A45C 11/20

See application file for complete search history.

(56) <b>References Cited</b>	
U.S. PATENT DOCUMENTS	
259,524 A *	6/1882 Gardner et al. .... A45C 3/02 190/127
2,454,366 A *	11/1948 Worley ..... A45C 5/02 190/28
D216,929 S *	3/1970 Schurman ..... D3/294
3,524,564 A *	8/1970 Schurman ..... A45C 5/02 190/119
4,712,657 A *	12/1987 Myers ..... A45C 5/00 190/28
D298,486 S *	11/1988 Jain ..... D3/292
D311,819 S *	11/1990 Takeuchi ..... D3/292
D318,373 S *	7/1991 Uke ..... D3/292
6,152,317 A *	11/2000 Newby, Sr. .... A45C 13/26 16/259
D439,407 S *	3/2001 Parker ..... D3/276
D462,519 S *	9/2002 Gaydos ..... D3/276
D523,242 S *	6/2006 Hardigg ..... D3/276
D572,479 S *	7/2008 Buck ..... D3/282
D665,167 S *	8/2012 Haener ..... D3/276
D668,867 S *	10/2012 Yamamot ..... D3/281
8,297,464 B2 *	10/2012 Grenier ..... A45C 13/1084 220/314

(Continued)

*Primary Examiner* — Karen S Acker  
*Assistant Examiner* — Wendy Arminio  
(74) *Attorney, Agent, or Firm* — Gabriel A. Haboubi

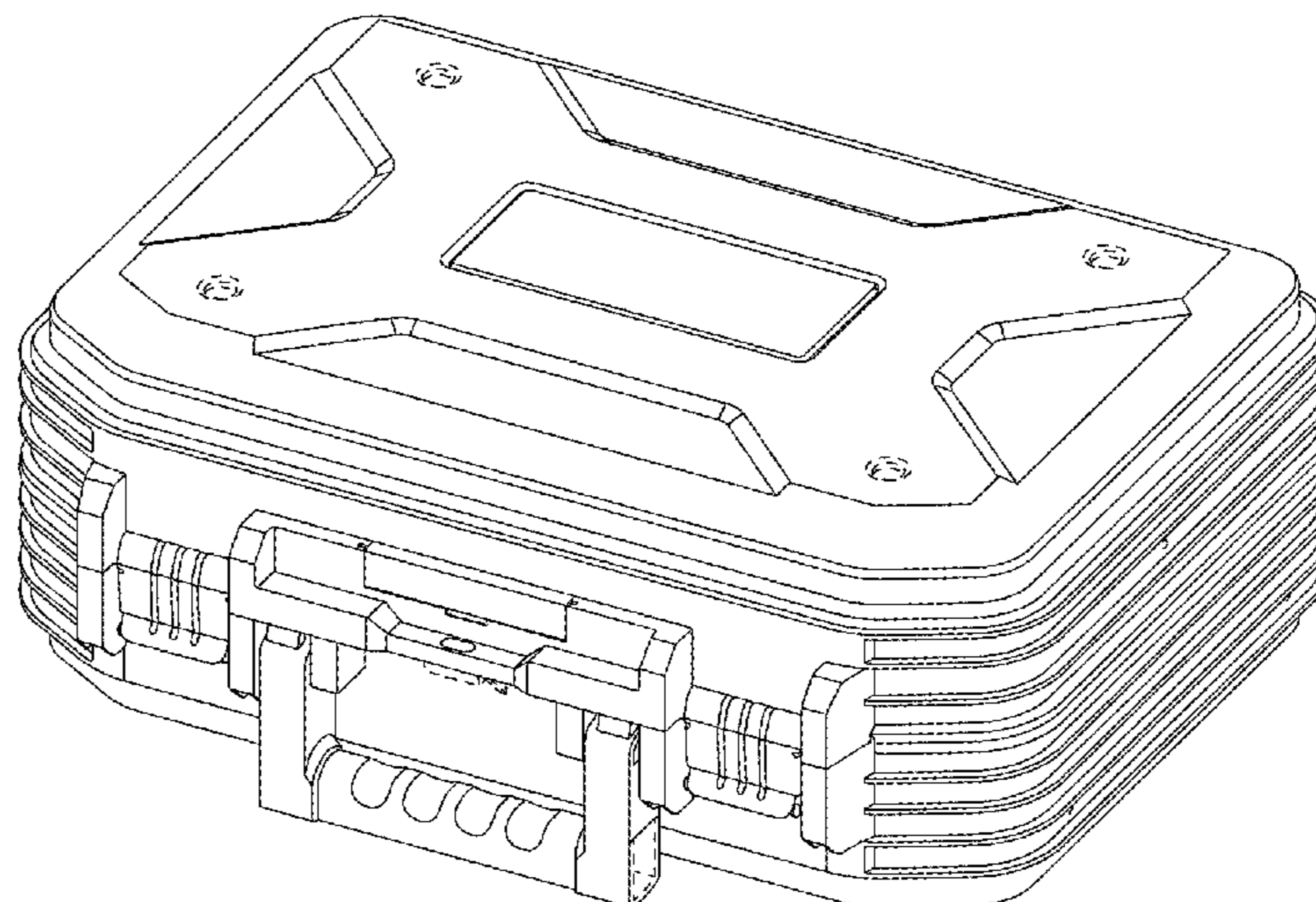
(57) **CLAIM**

The ornamental design for a case, as shown and described.

**DESCRIPTION**

FIG. 1 is a perspective view of our new design.  
FIG. 2 is a front view thereof.  
FIG. 3 is a rear view thereof.  
FIG. 4 is a left side view thereof.  
FIG. 5 is a right side view thereof.  
FIG. 6 is a top view thereof; and,  
FIG. 7 is a bottom view thereof.  
The broken lines illustrate portions of the case that form no part of the claimed design.

**1 Claim, 5 Drawing Sheets**



(56)

**References Cited**

U.S. PATENT DOCUMENTS

D674,605 S \* 1/2013 Vilkomirski ..... D3/281  
8,413,833 B1 \* 4/2013 Taylor ..... H05K 5/061  
220/305  
8,917,496 B2 \* 12/2014 Richardson ..... G06F 1/1626  
361/679.01  
2002/0043534 A1 \* 4/2002 Uke ..... A45C 5/02  
220/4.21  
2003/0080124 A1 \* 5/2003 Parker ..... A45C 13/008  
220/4.21  
2006/0011624 A1 \* 1/2006 Shih ..... B25H 3/02  
220/4.24  
2009/0114646 A1 \* 5/2009 Whalen ..... A45C 13/00  
220/4.21

\* cited by examiner

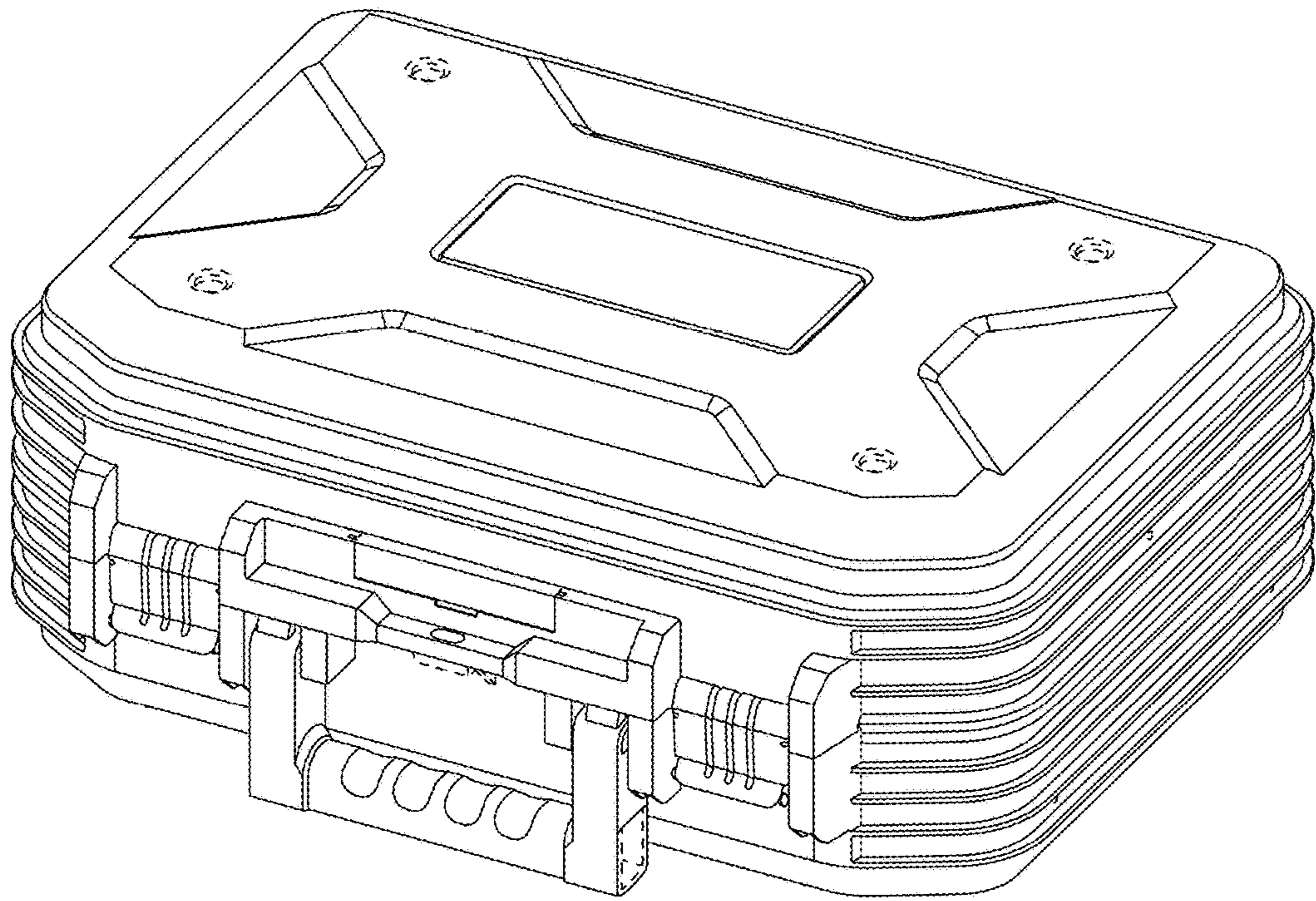


FIG. 1



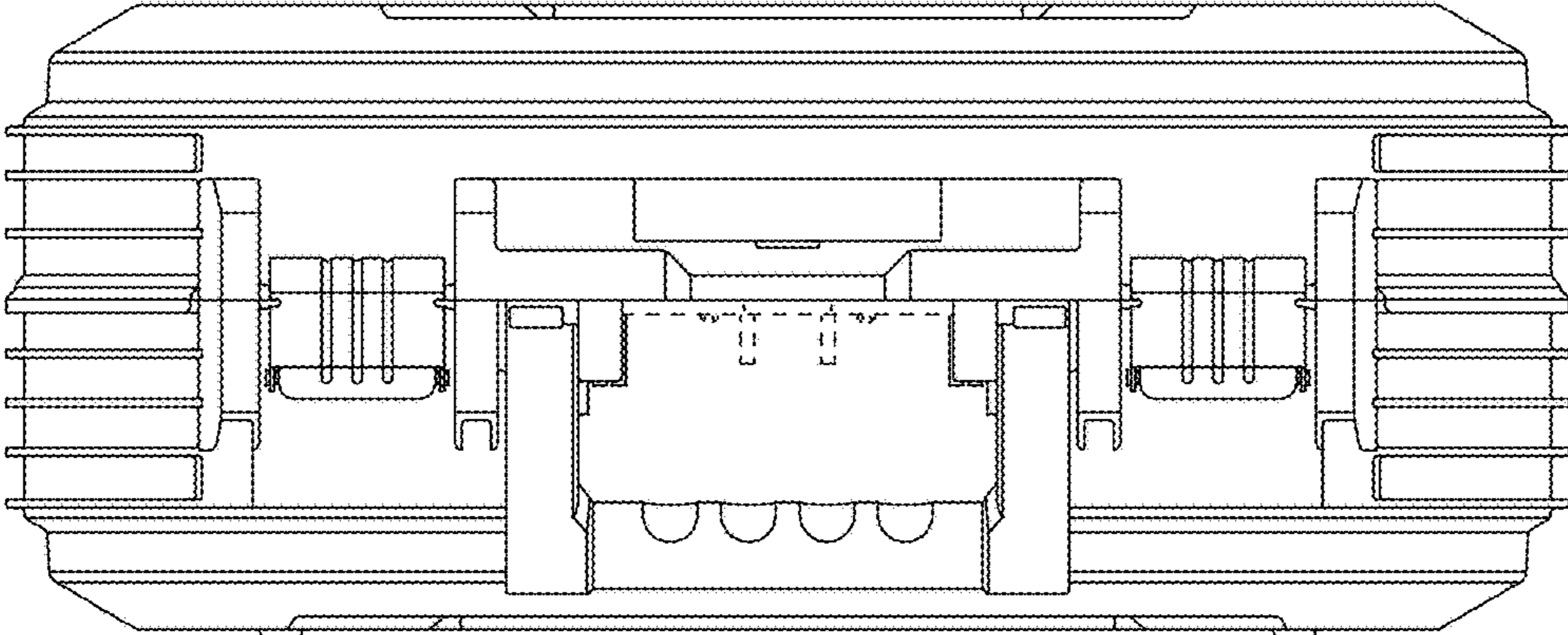


FIG. 2

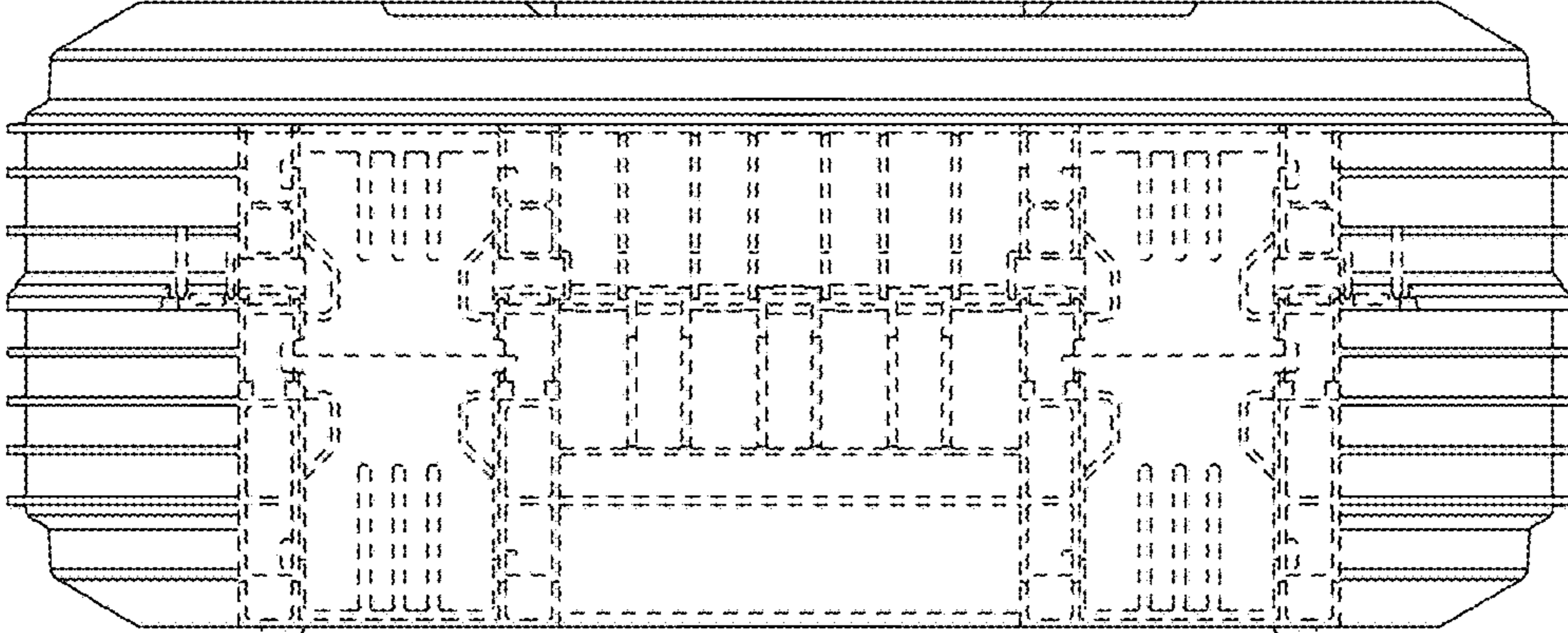


FIG. 3

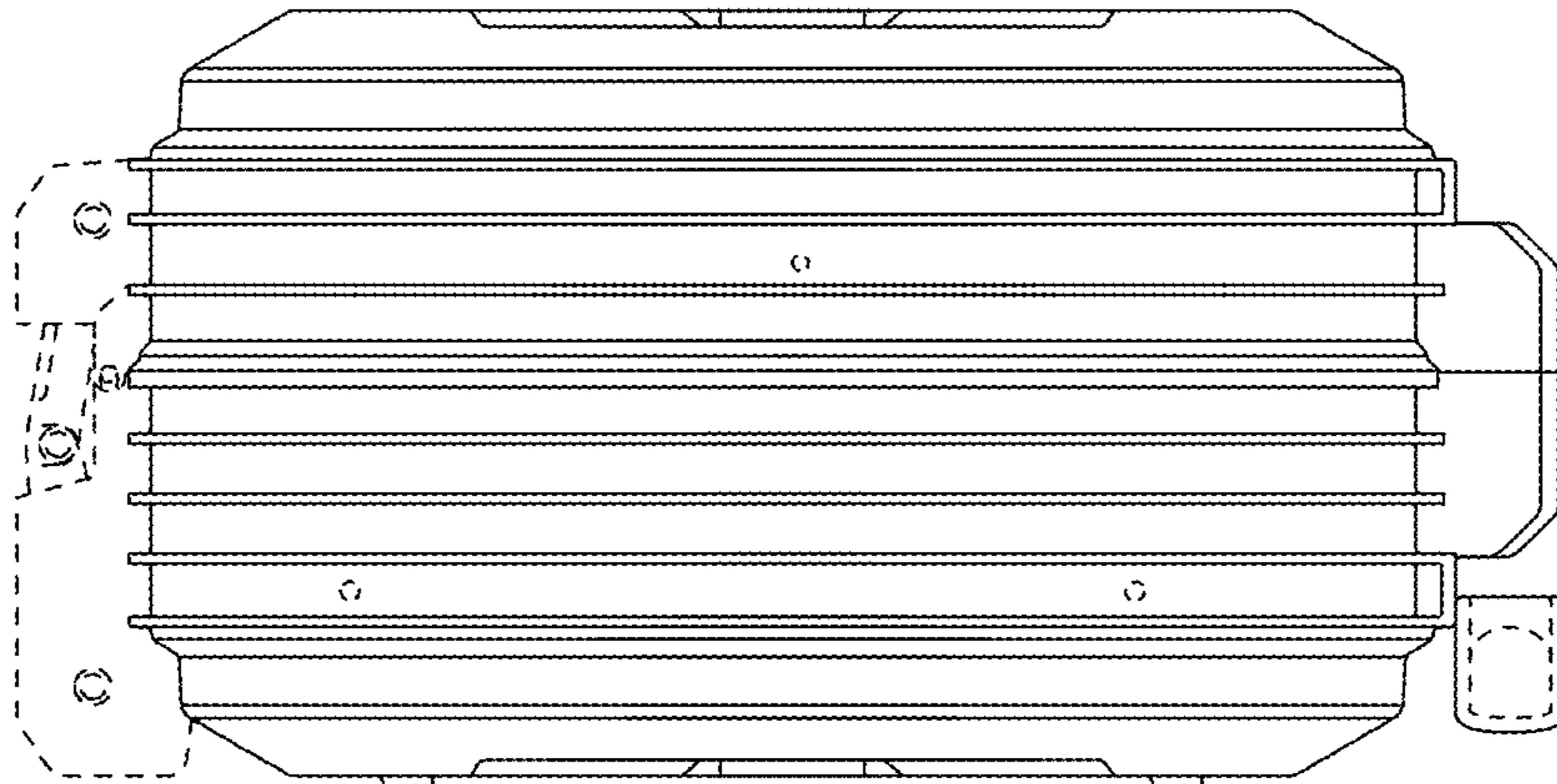


FIG. 4

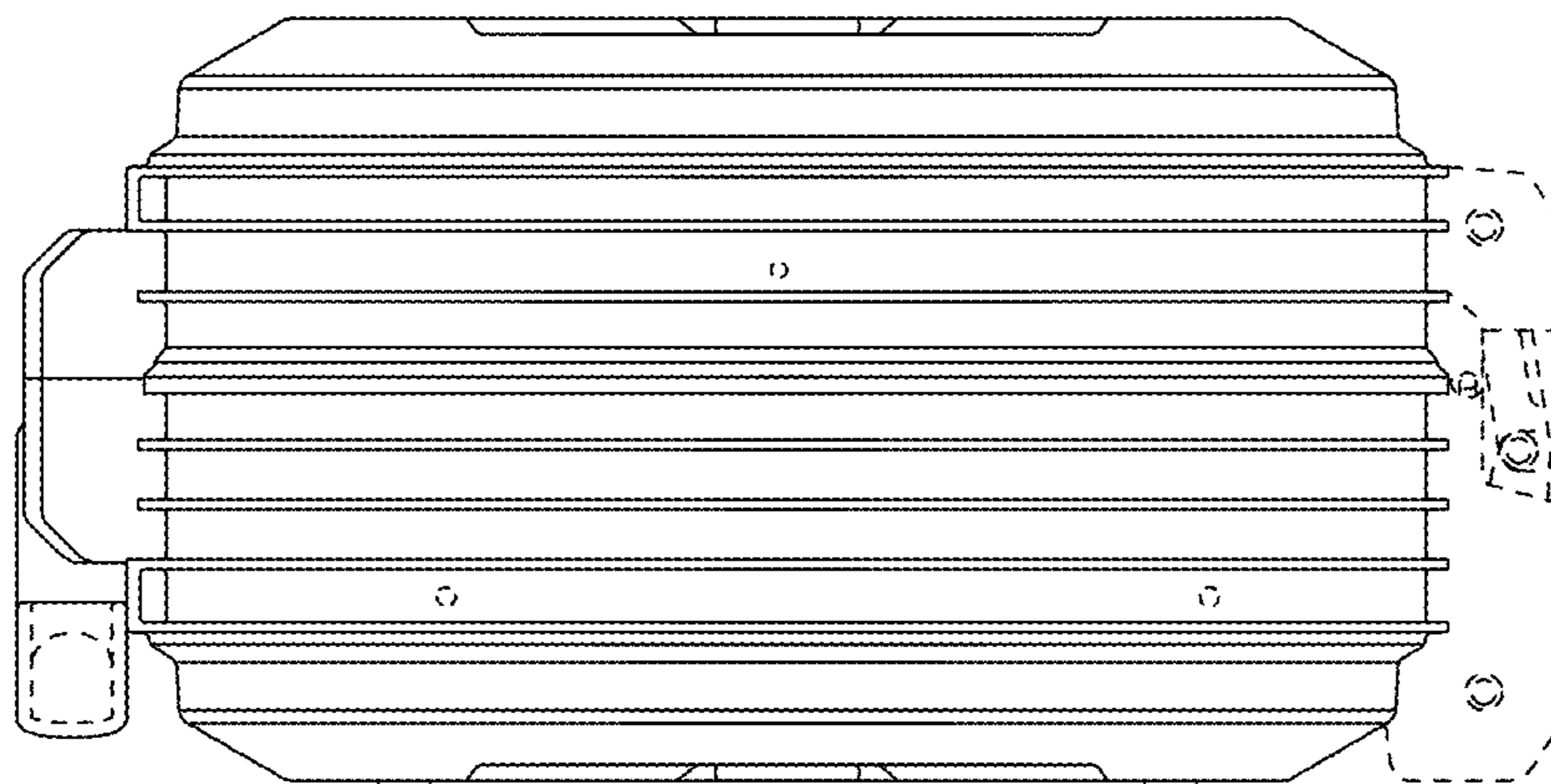


FIG. 5

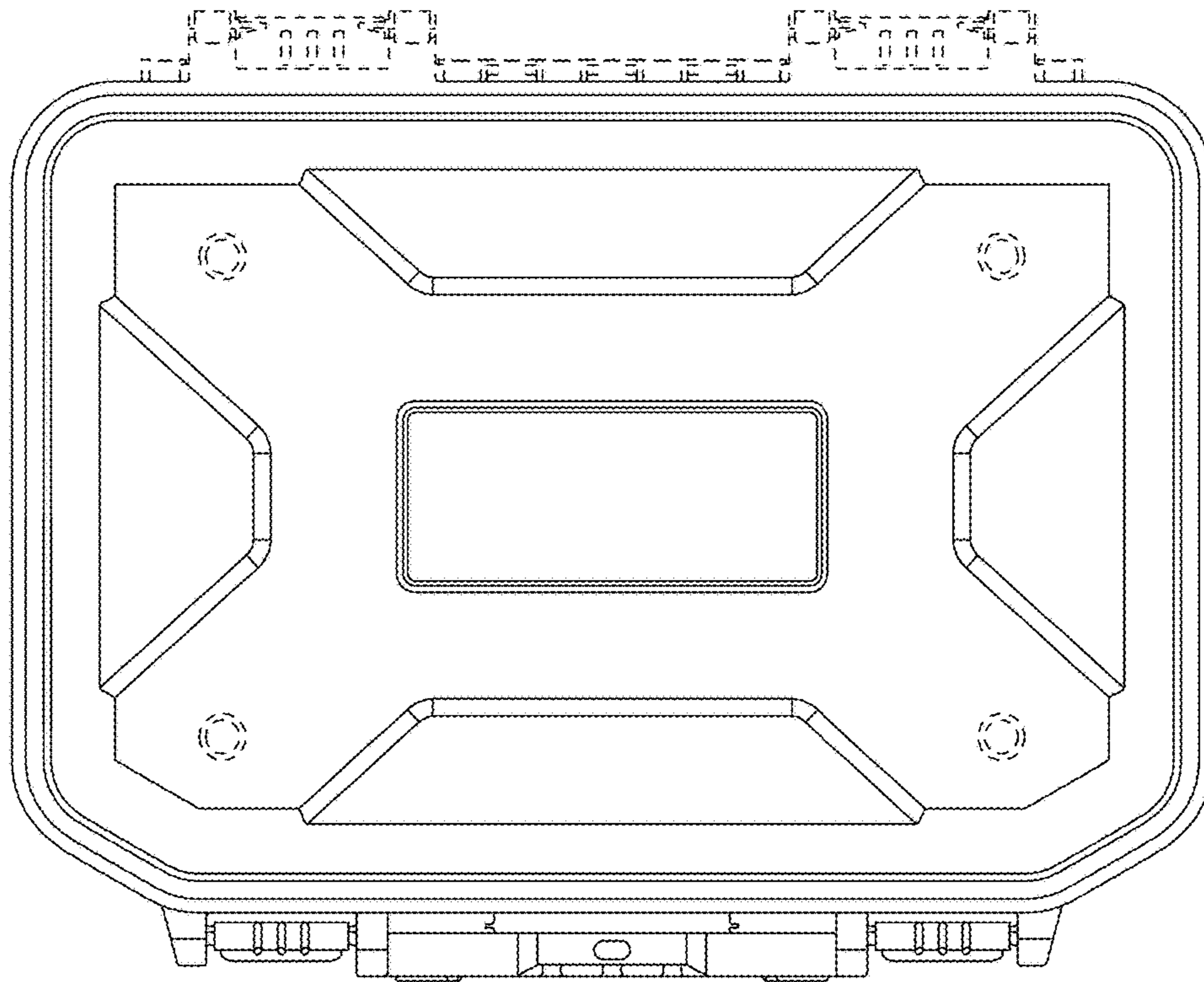


FIG. 6

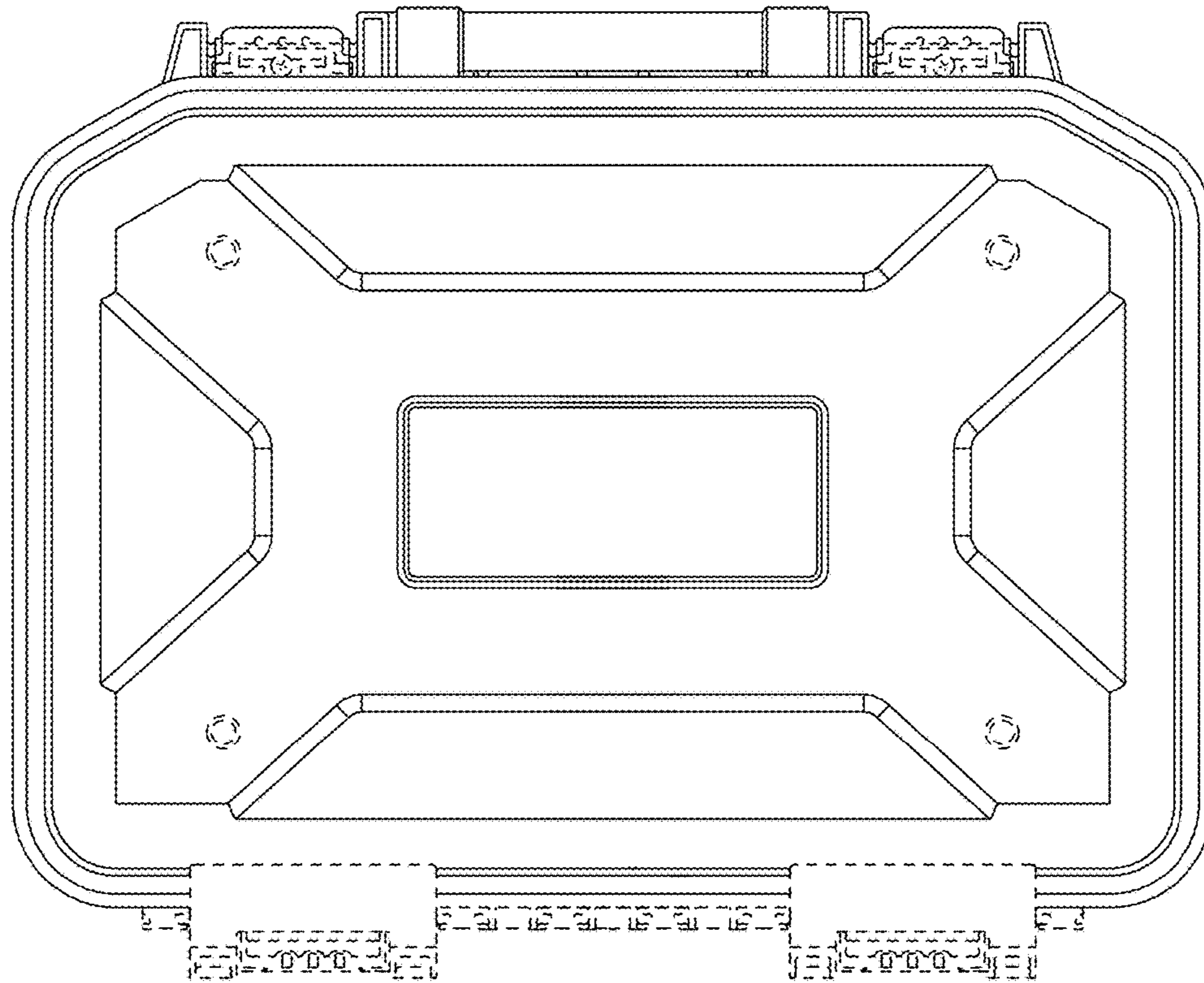


FIG. 7