



US00D776520S

(12) **United States Design Patent**
Iijima et al.

(10) **Patent No.:** **US D776,520 S**
(45) **Date of Patent:** **** Jan. 17, 2017**

(54) **STAY FOR FURNITURE**

(71) Applicant: **SUGATSUNE KOGYO CO., LTD.**,
Chiyoda-ku, Tokyo (JP)

(72) Inventors: **Tadashi Iijima**, Chiyoda-ku (JP);
Mitsuru Sugiura, Tokyo (JP)

(73) Assignee: **SUGATSUNE KOGYO CO., LTD.**,
Chiyoda-ku (JP)

(**) Term: **15 Years**

(21) Appl. No.: **29/543,363**

(22) Filed: **Oct. 23, 2015**

(30) **Foreign Application Priority Data**

Apr. 24, 2015 (JP) 2015-009285

(51) **LOC (10) Cl.** **08-09**

(52) **U.S. Cl.**
USPC **D8/402**

(58) **Field of Classification Search**
USPC D8/349, 355, 354, 382, 394, 395, 400,
D8/402, 14, 47; 292/342-346; 248/188.2,
248/291.1, 292.13; 16/235, 241, 242, 379
(Continued)

(56) **References Cited**

U.S. PATENT DOCUMENTS

3,939,529 A * 2/1976 Davis E05D 15/466
16/249
4,555,829 A * 12/1985 Davis E05D 15/44
16/342

(Continued)

Primary Examiner — Prabhakar Deshmukh

(74) *Attorney, Agent, or Firm* — Masuvalley & Partners

(57) **CLAIM**

The ornamental design for a stay for furniture, as shown and described.

DESCRIPTION

FIG. 1 is a perspective view of a stay for furniture according to the invention;

FIG. 2 is a front elevation view of the stay for furniture of FIG. 1;

FIG. 3 is a rear elevation view of the stay for furniture of FIG. 1;

FIG. 4 is a top plan view of the stay for furniture of FIG. 1;

FIG. 5 is a bottom plan view of the stay for furniture of FIG. 1;

FIG. 6 is a right side elevation view of the stay for furniture of FIG. 1;

FIG. 7 is a left side elevation view of the stay for furniture of FIG. 1;

FIG. 8 is an enlarged cross sectional view of the stay for furniture through line 8-8 shown in FIG. 2, where the internal structures are omitted;

FIG. 9 is a cross sectional view of the stay for furniture through line 9-9 shown in FIG. 6, where the internal structures are omitted;

FIG. 10 is a perspective view of the stay for furniture of FIG. 1 in a state where the arm has rotated;

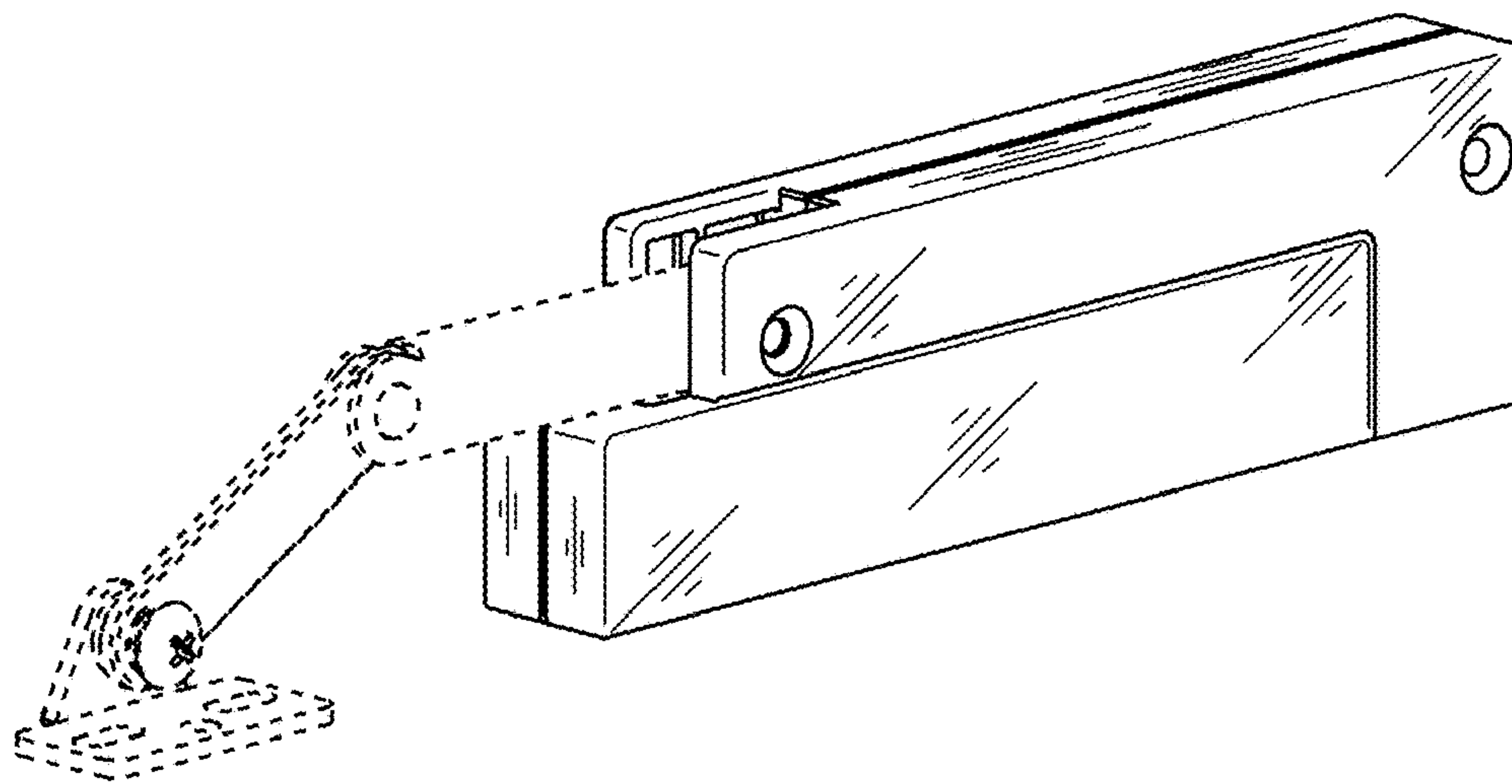
FIG. 11 is a front elevation view of the stay for furniture of FIG. 1 in a state where the arm has rotated;

FIG. 12 is a front elevation view of the stay for furniture of FIG. 1 in a state where the main body of the stay is attached to a wall of furniture, the arm of the stay is attached to a door of the furniture, and the arm has rotated; and,

FIG. 13 is a front elevation view of the stay for furniture of FIG. 1 in a state where the main body of the stay is attached to a wall of furniture, the arm of the stay is attached to the door of the furniture, and the arm has not rotated.

The broken lines indicate unclaimed portions of the claimed design and environmental structure and form no part of the claimed design.

1 Claim, 13 Drawing Sheets



(58) **Field of Classification Search**

CPC E05C 1/00; E05C 1/004; E05C 17/025;
E05C 17/54; E05D 7/0407; E05D 7/123;
E05D 5/065; E05Y 2900/204; A47B
91/16

See application file for complete search history.

(56) **References Cited**

U.S. PATENT DOCUMENTS

4,914,782 A * 4/1990 Rupprechter E05D 3/16
16/319
D459,983 S * 7/2002 Hayakawa D8/402
6,691,627 B2 * 2/2004 Einsel A47C 7/70
108/147.21
D491,454 S * 6/2004 Yamaguchi D8/402
D533,447 S * 12/2006 Irie D8/402
7,340,801 B2 * 3/2008 Yamaguchi E05C 17/32
16/324
D600,109 S * 9/2009 Bravo D8/402
D611,338 S * 3/2010 Suzuki D8/402
D612,717 S * 3/2010 Frankel D8/343
D721,953 S * 2/2015 Hasegawa D8/402
2008/0168620 A1 * 7/2008 Hammerle E05F 5/006
16/85

* cited by examiner

FIG. 1

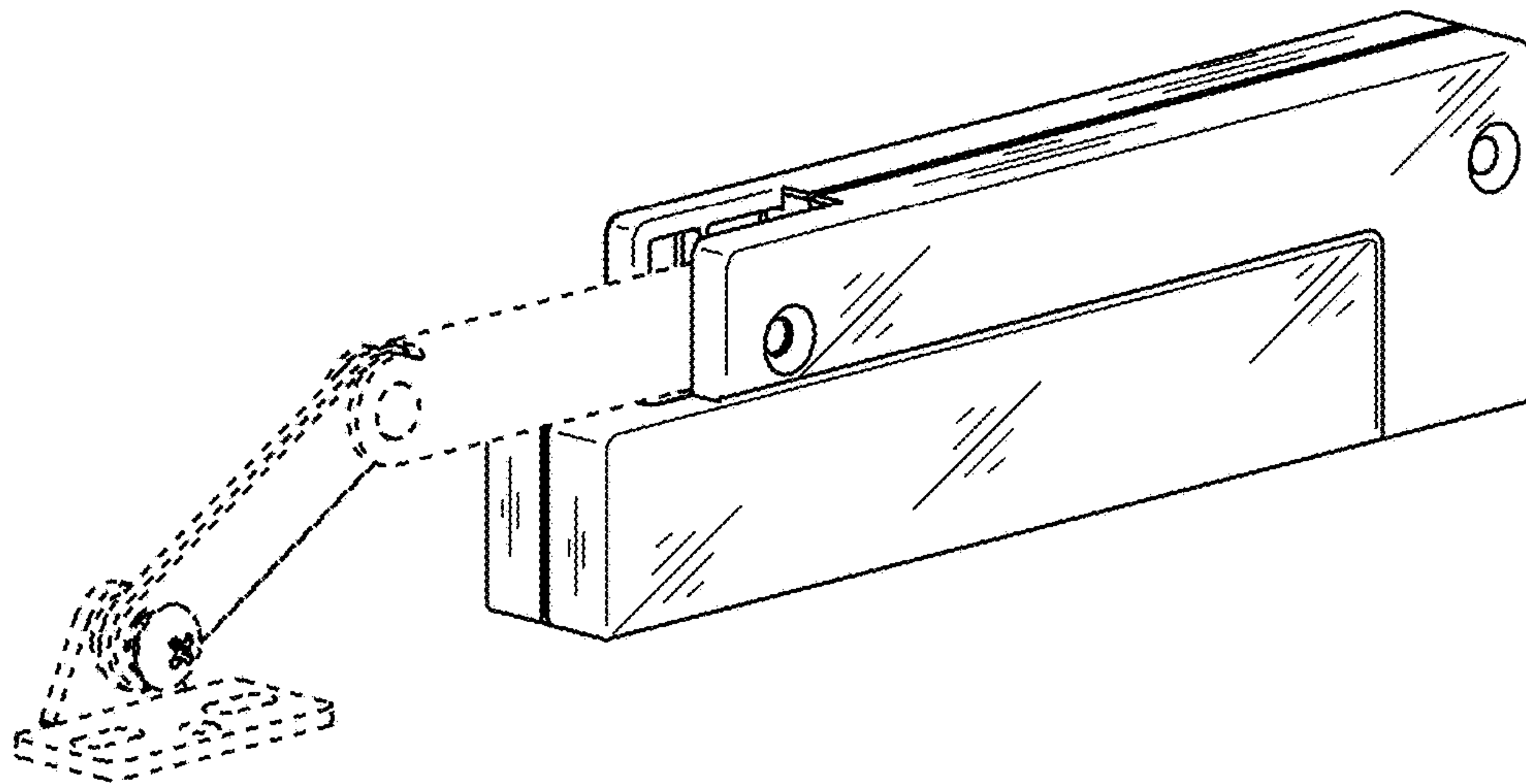


FIG. 2

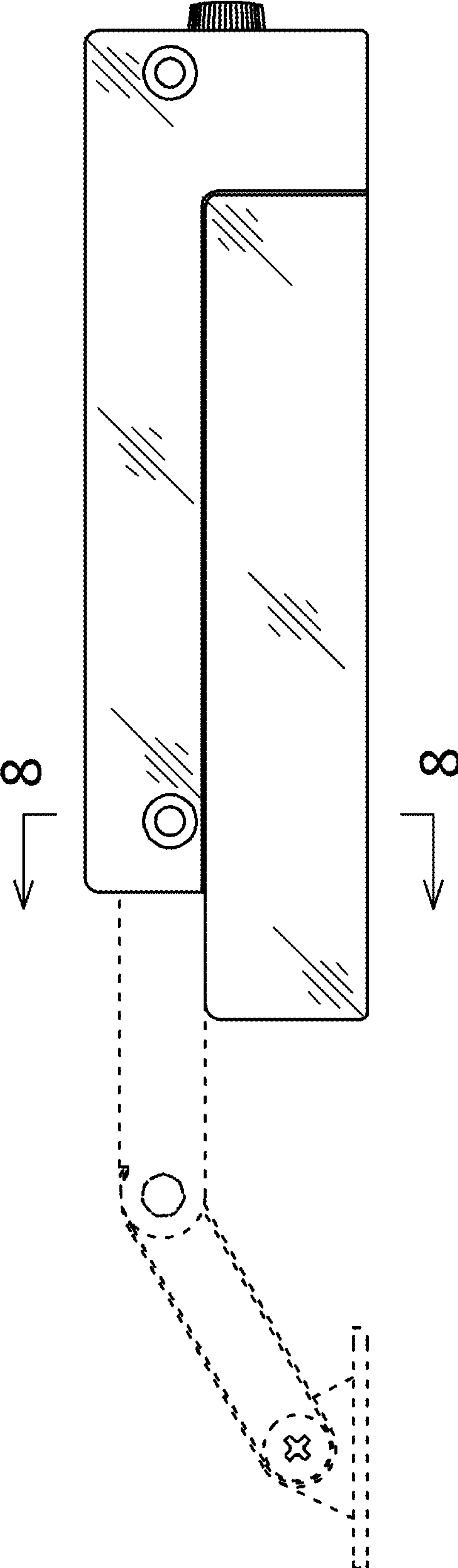


FIG. 3

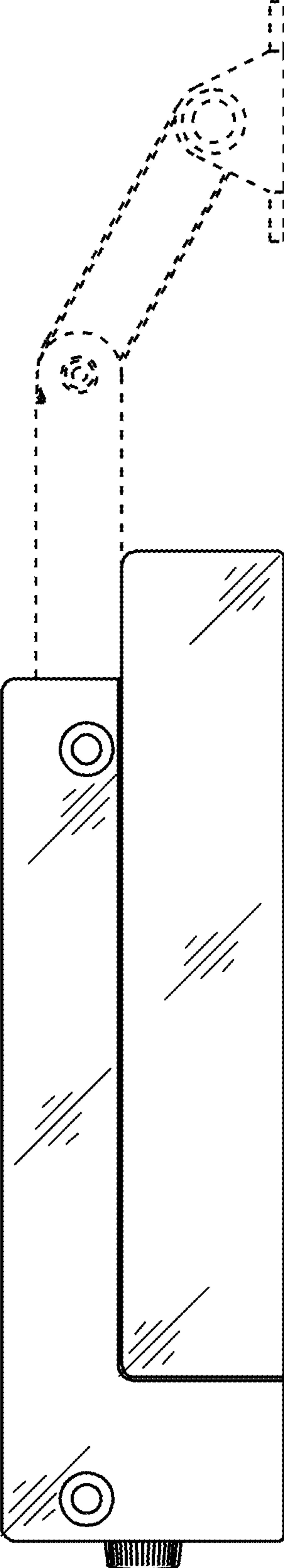


FIG. 4

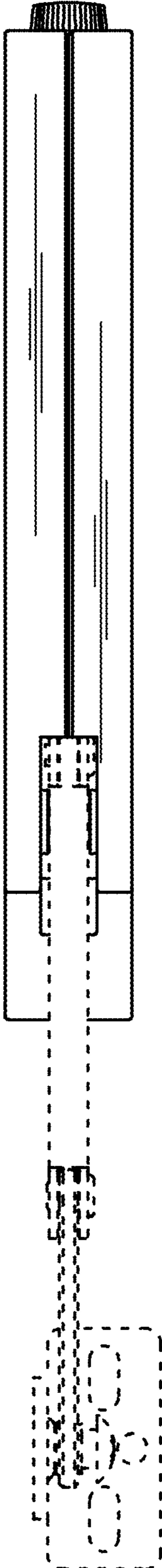


FIG. 5

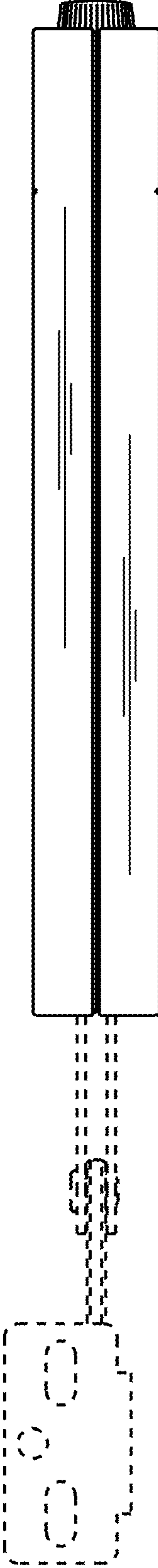


FIG. 6

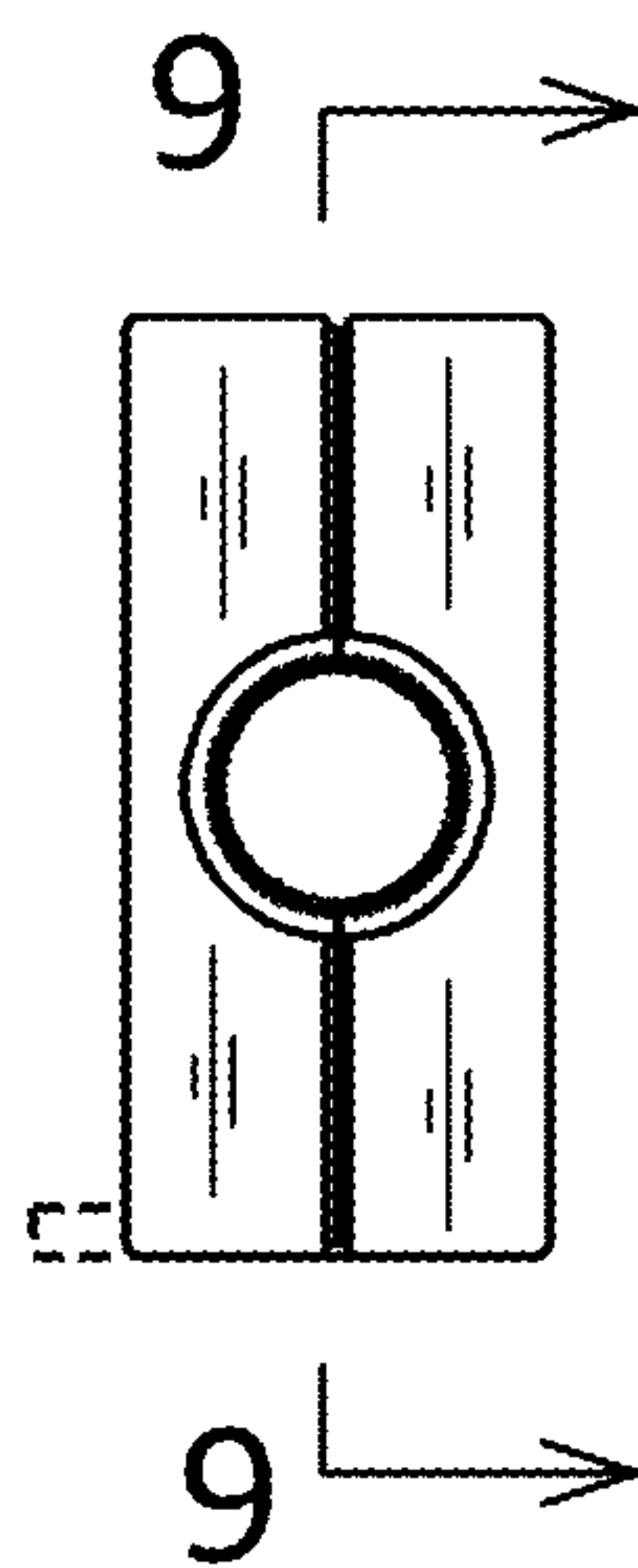


FIG. 7

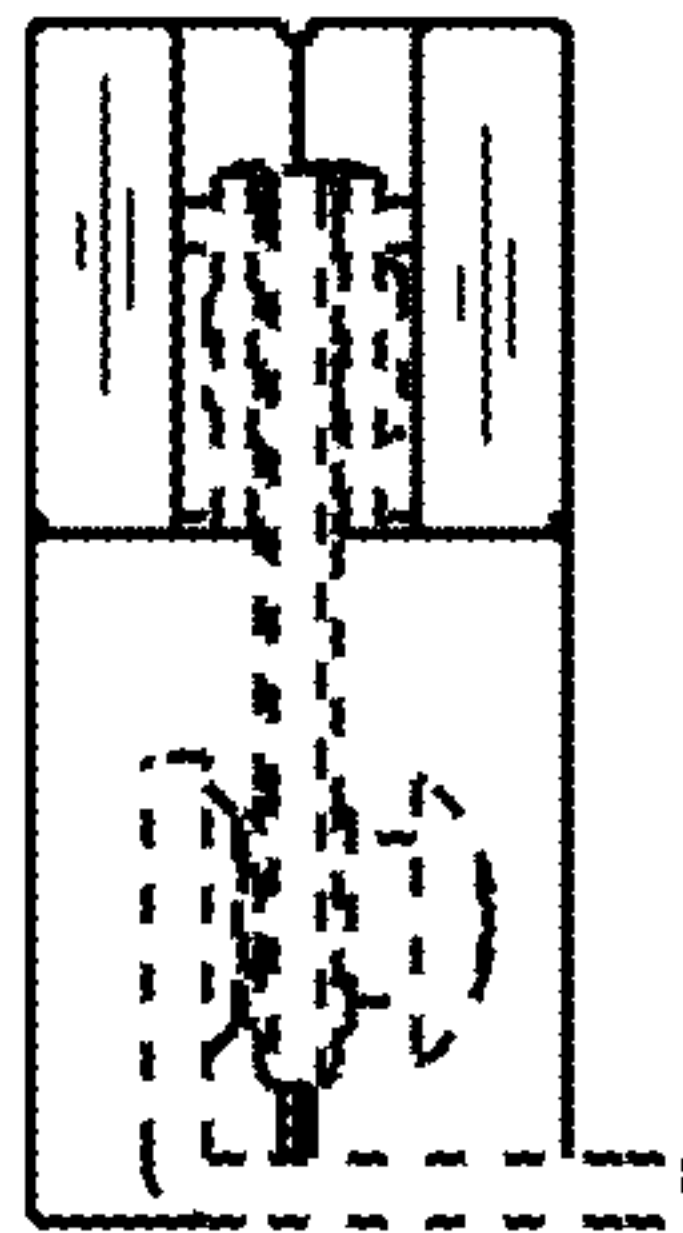


FIG. 8

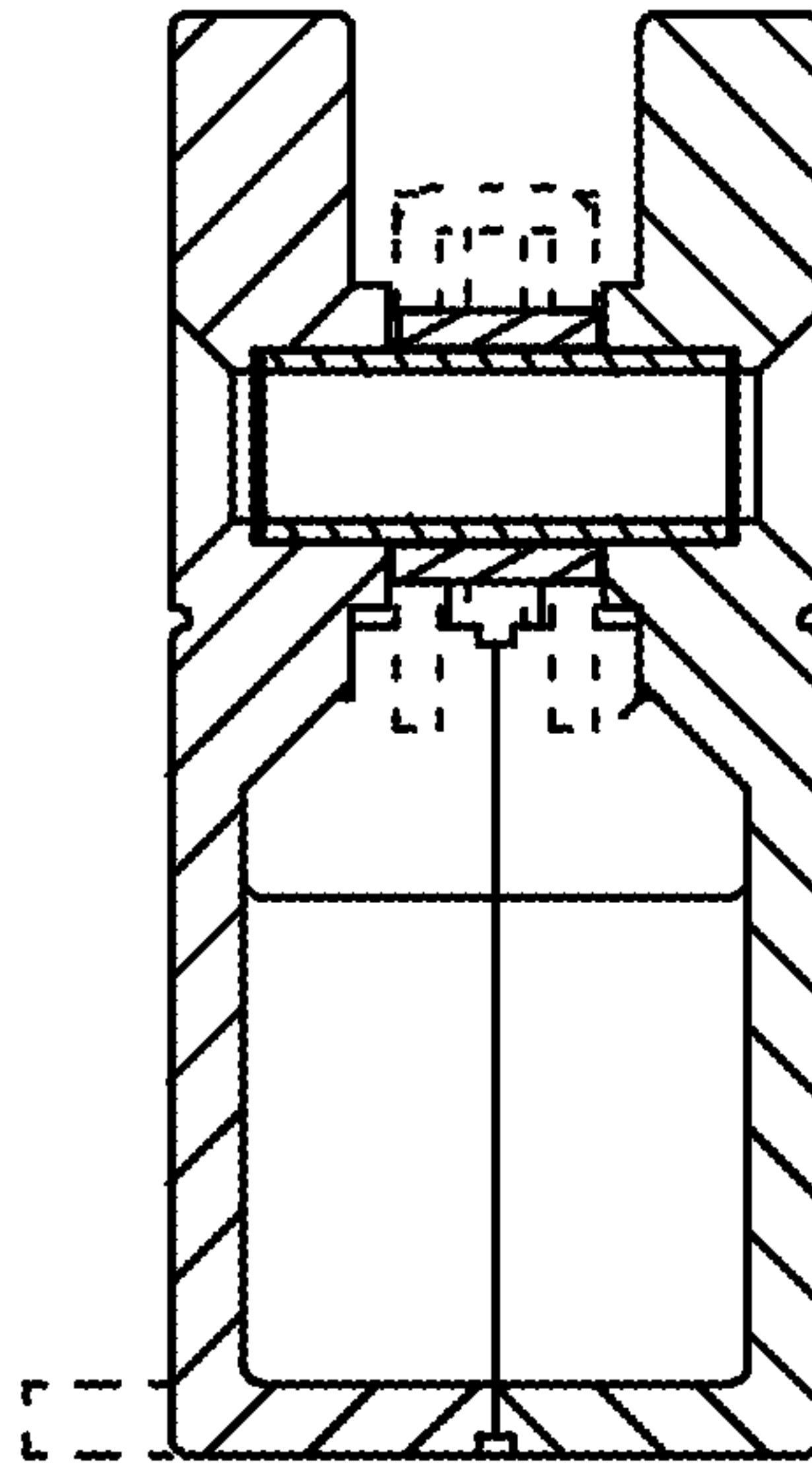


FIG. 9

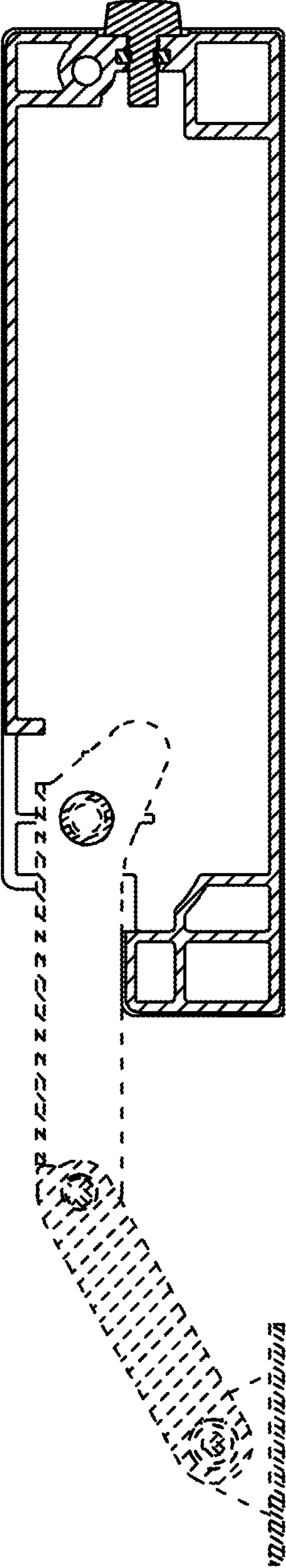


FIG. 10

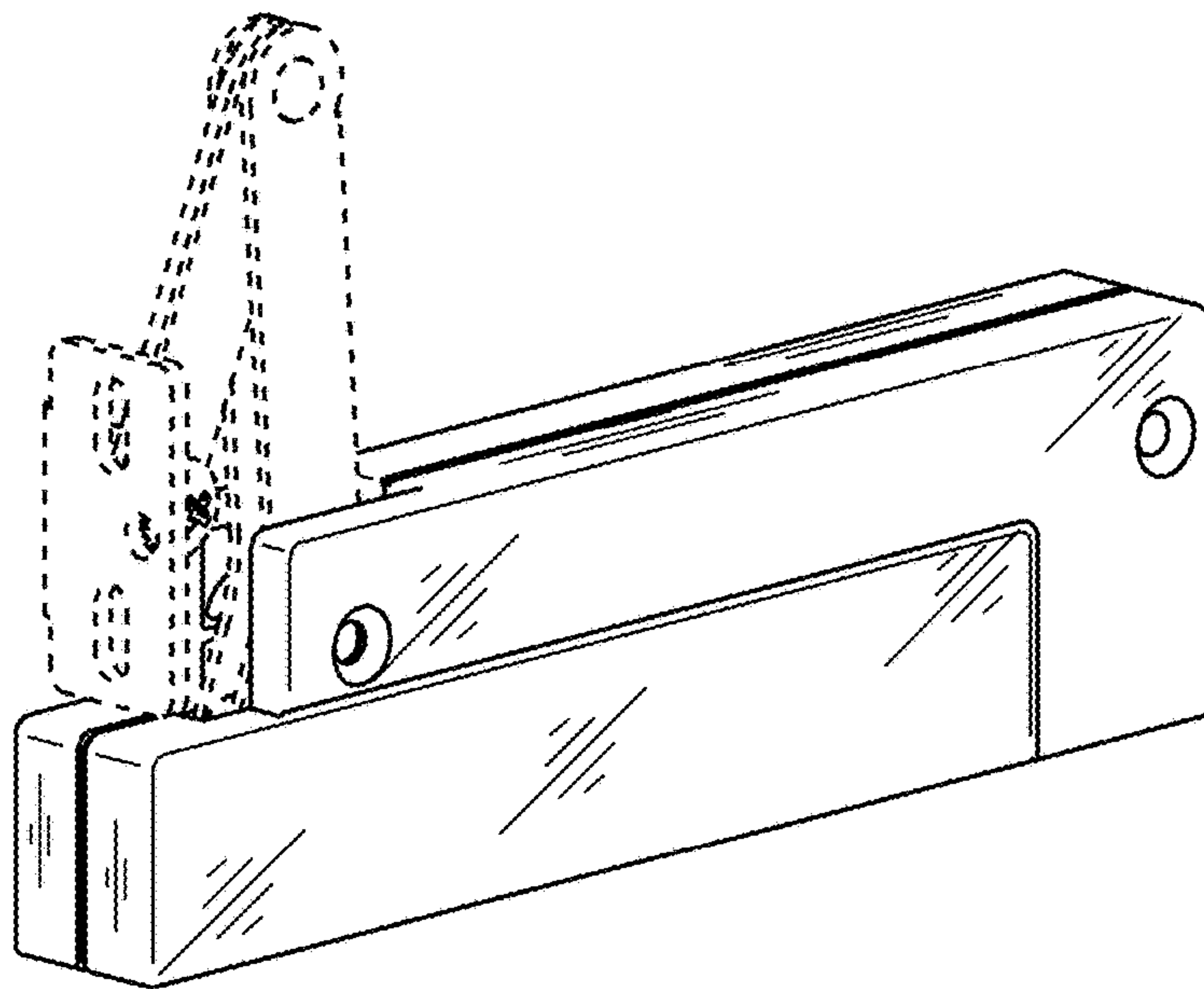


FIG. 11

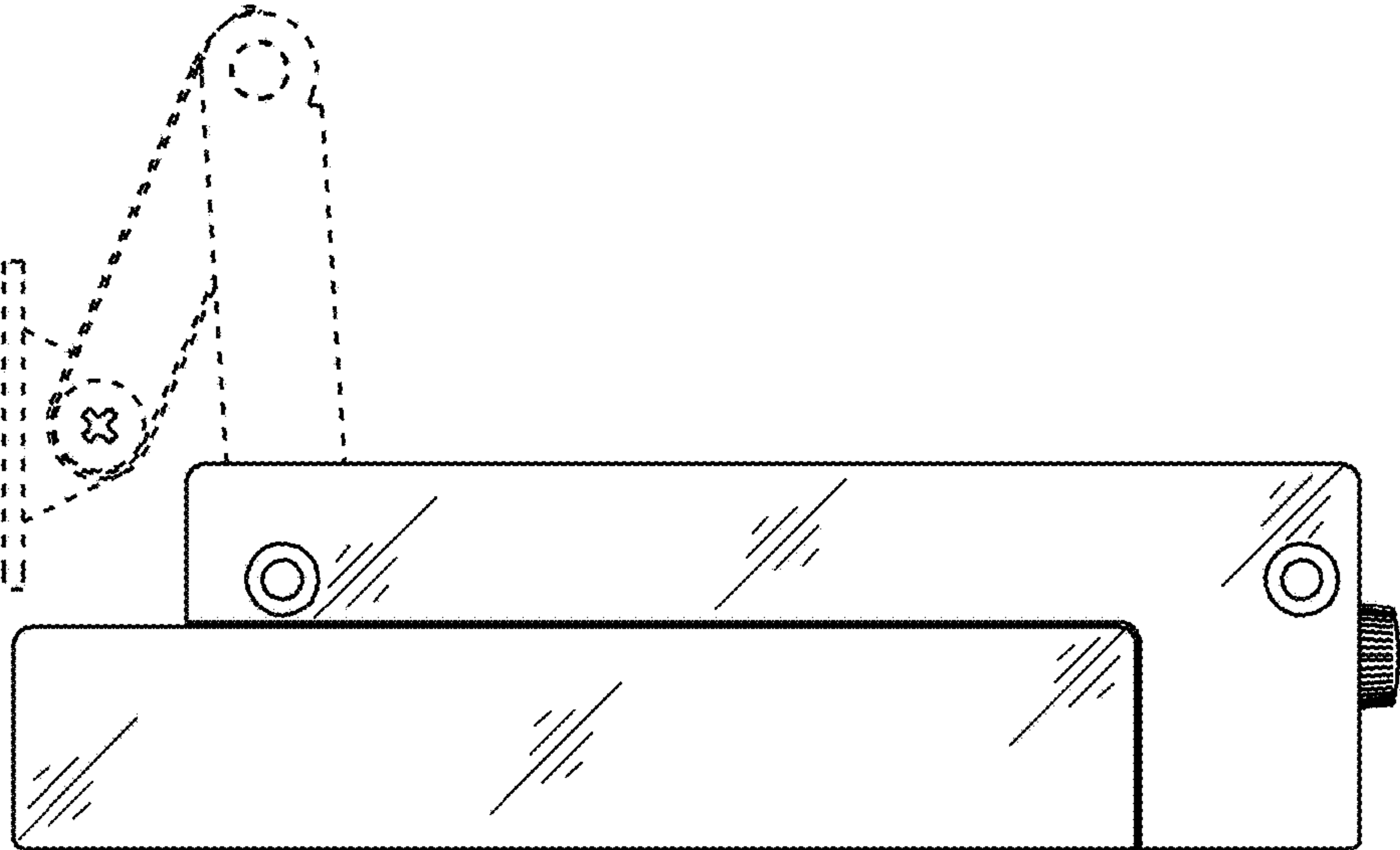


FIG. 12

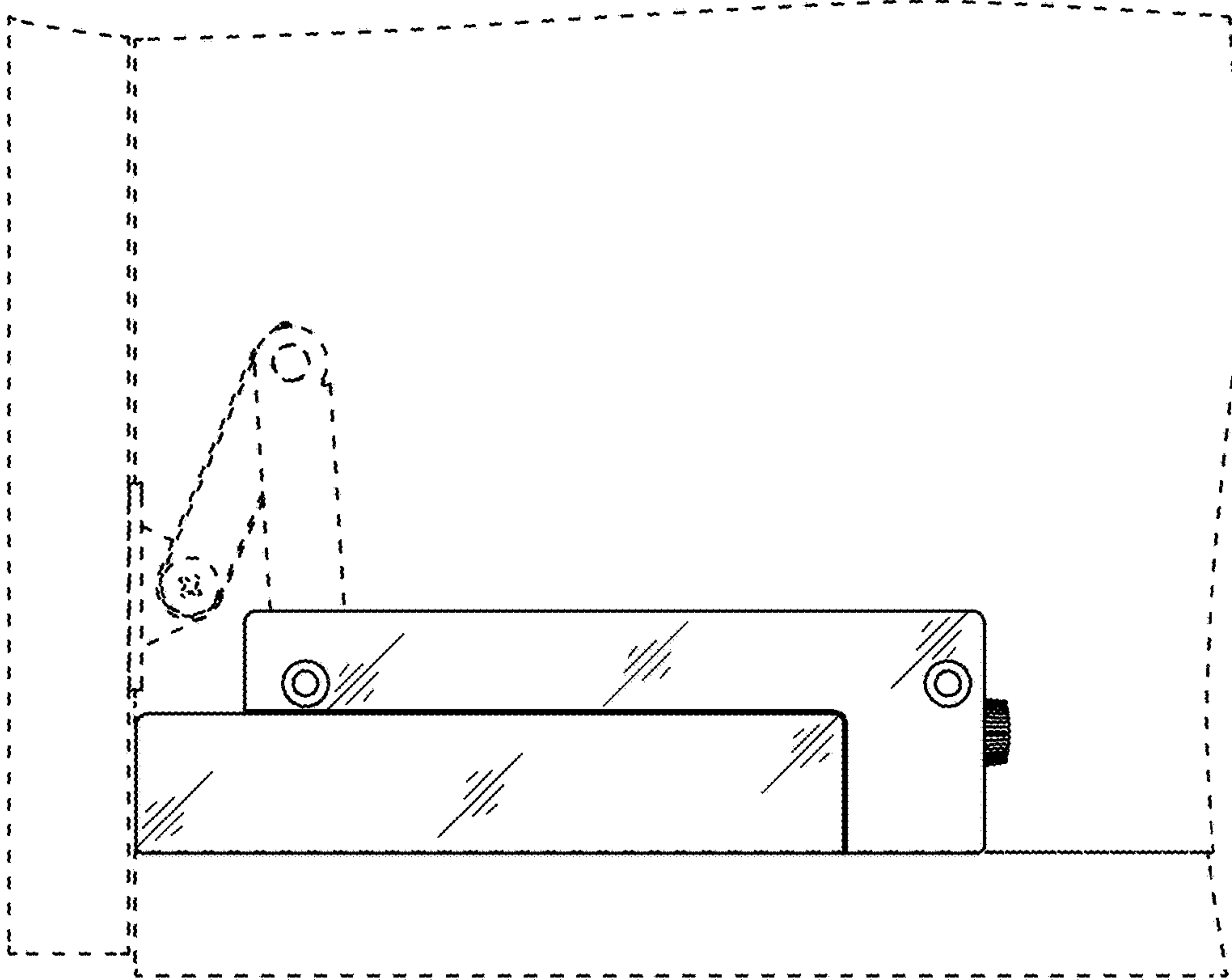


FIG. 13

