



US00D776518S

(12) **United States Design Patent** (10) **Patent No.:** **US D776,518 S**
Bainbridge (45) **Date of Patent:** **** Jan. 17, 2017**

- (54) **CORD LOCK WITH SCREW IN BASE FEATURE** D700,504 S * 3/2014 Blocker D8/367
- (71) Applicant: **James R. Bainbridge**, Marcellus, MI D711,725 S 8/2014 Bainbridge
- (US) D712,725 S * 9/2014 Wu D8/367
- (72) Inventor: **James R. Bainbridge**, Marcellus, MI D714,129 S 9/2014 Bainbridge
- (US) D714,619 S 10/2014 Bainbridge
- (**) Term: **15 Years** D727,854 S 4/2015 Chance
- (21) Appl. No.: **29/551,405** D729,177 S * 5/2015 Baldwin D13/155
- (22) Filed: **Jan. 13, 2016** D730,721 S 6/2015 Degan
- D731,874 S * 6/2015 Lin D8/349
- D738,197 S 9/2015 Schaffert
- D741,150 S 10/2015 Bainbridge
- D752,419 S * 3/2016 Greene D8/367
- D752,420 S * 3/2016 Greene D8/367
- 2015/0047895 A1 * 2/2015 Doushita H02G 3/24
- 2016/0039367 A1 * 2/2016 Yoshida H01B 3/18
- 174/480
- 174/70 R

Related U.S. Application Data

- (63) Continuation of application No. 29/522,256, filed on Mar. 30, 2015, now Pat. No. Des. 749,400.
- (51) **LOC (10) Cl.** **08-05**
- (52) **U.S. Cl.**
- USPC **D8/356**
- (58) **Field of Classification Search**
- USPC D8/356, 354, 349, 367; D11/218; 137/355.27
- CPC F16B 1/00; F16B 2/20; Y10T 24/45199; B60N 2/26; F16G 1/00; H02G 3/24
- See application file for complete search history.

References Cited

U.S. PATENT DOCUMENTS

- D470,034 S 2/2003 Wu
- D473,448 S 4/2003 Wu
- D477,770 S 7/2003 Baker
- D488,372 S 4/2004 Gambrell
- D497,305 S 10/2004 Perri
- D512,904 S 12/2005 Thaler
- D576,406 S 9/2008 Chan
- D680,963 S * 4/2013 Purdy D13/151
- D697,784 S * 1/2014 Lavelle D8/356

* cited by examiner

Primary Examiner — Cynthia Underwood

(74) *Attorney, Agent, or Firm* — Flynn, Thiel, Boutell & Tanis, P.C.

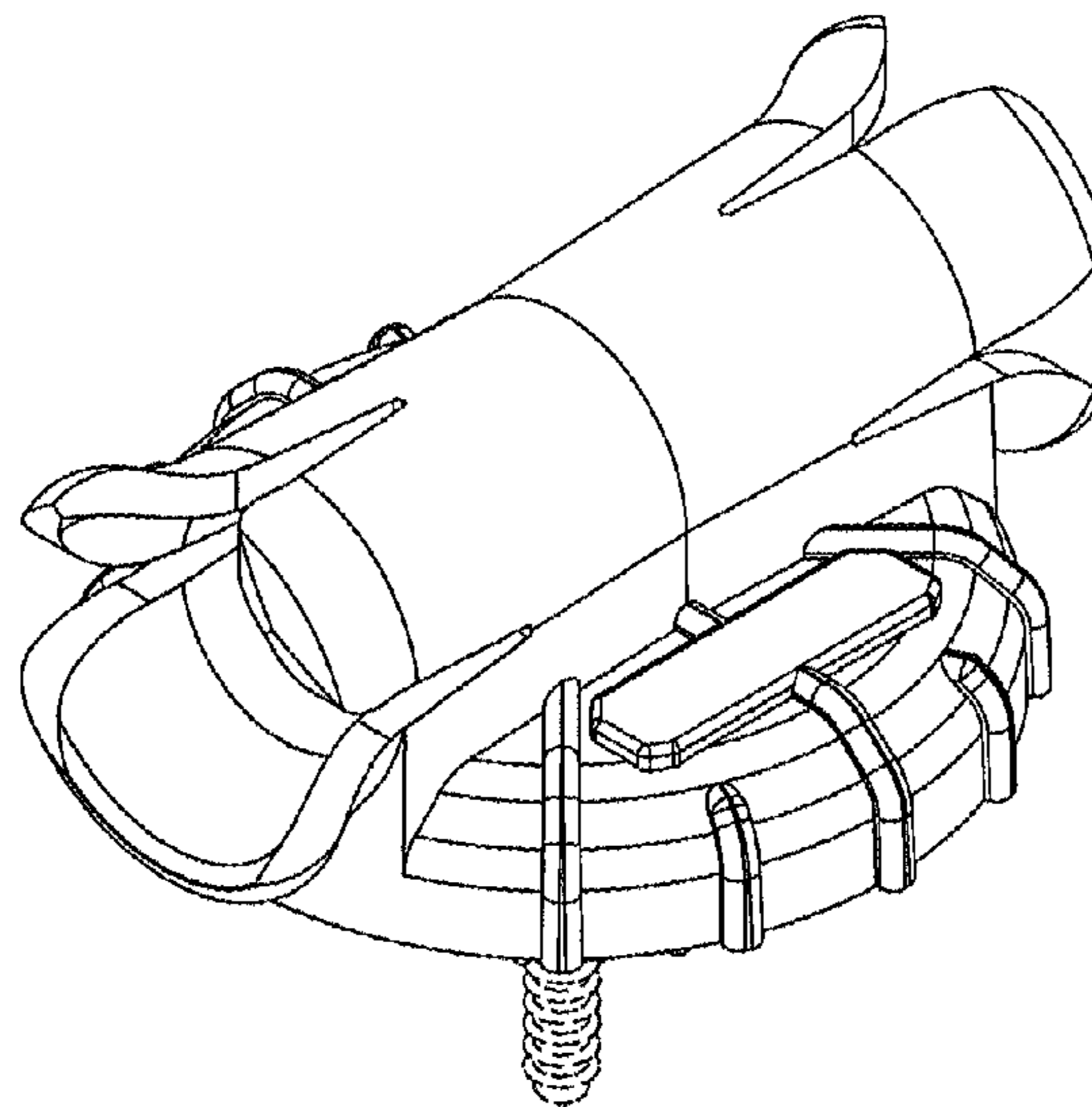
(57) **CLAIM**

The ornamental design for a cord lock with screw in base feature, as shown and described.

DESCRIPTION

FIG. 1 is a front, right side isometric top view of the cord lock with screw in base feature embodying my new design; FIG. 2 is a top view thereof; FIG. 3 is a front view thereof, the rear view being a mirror image thereof; FIG. 4 is a right side view thereof, the left side view being a mirror image thereof; FIG. 5 is a bottom view thereof; and, FIG. 6 is a front, left side isometric bottom view thereof. The broken lines shown represent machined subject matter and form no part of the claimed design.

1 Claim, 3 Drawing Sheets



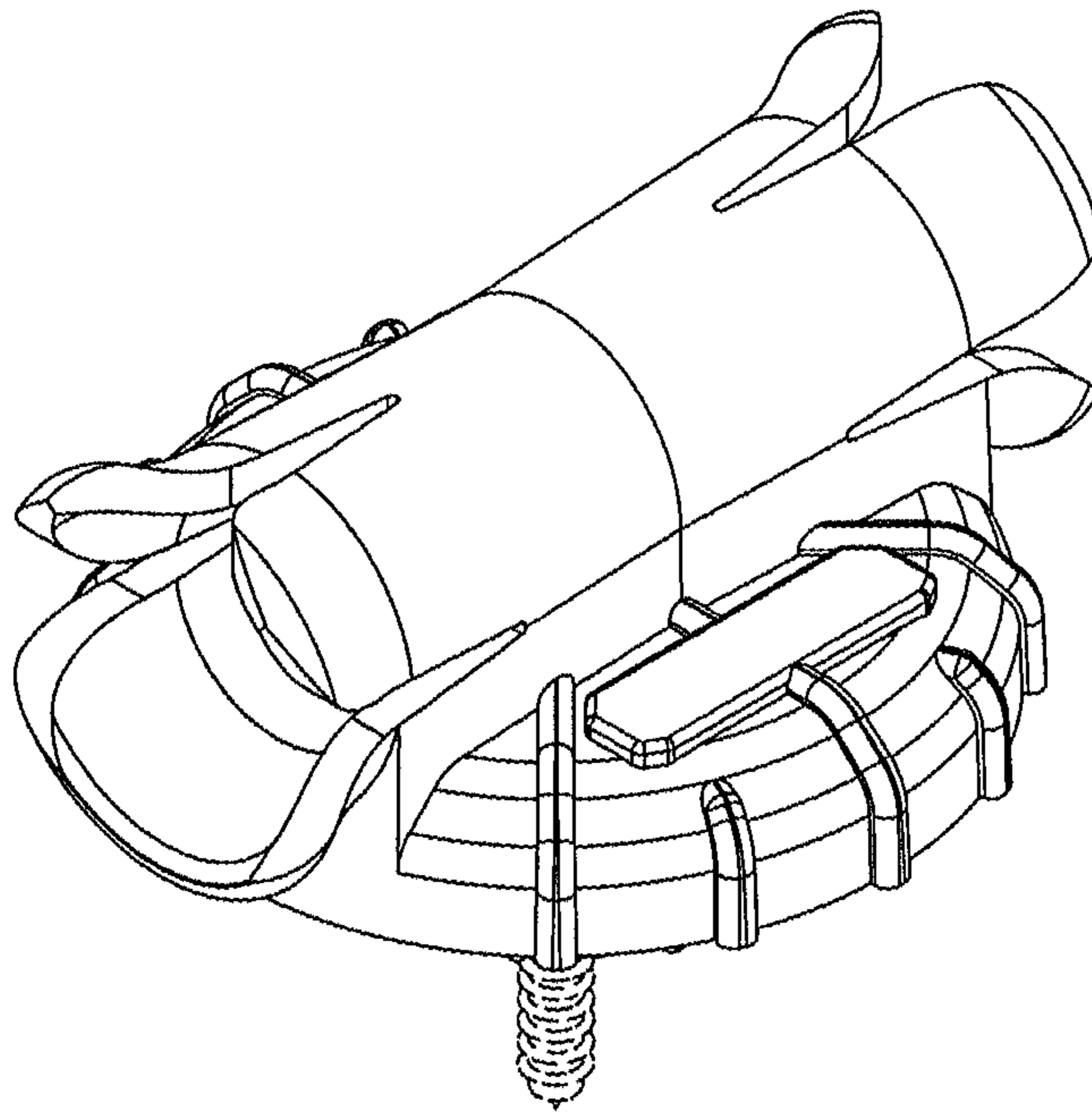


FIG. 1

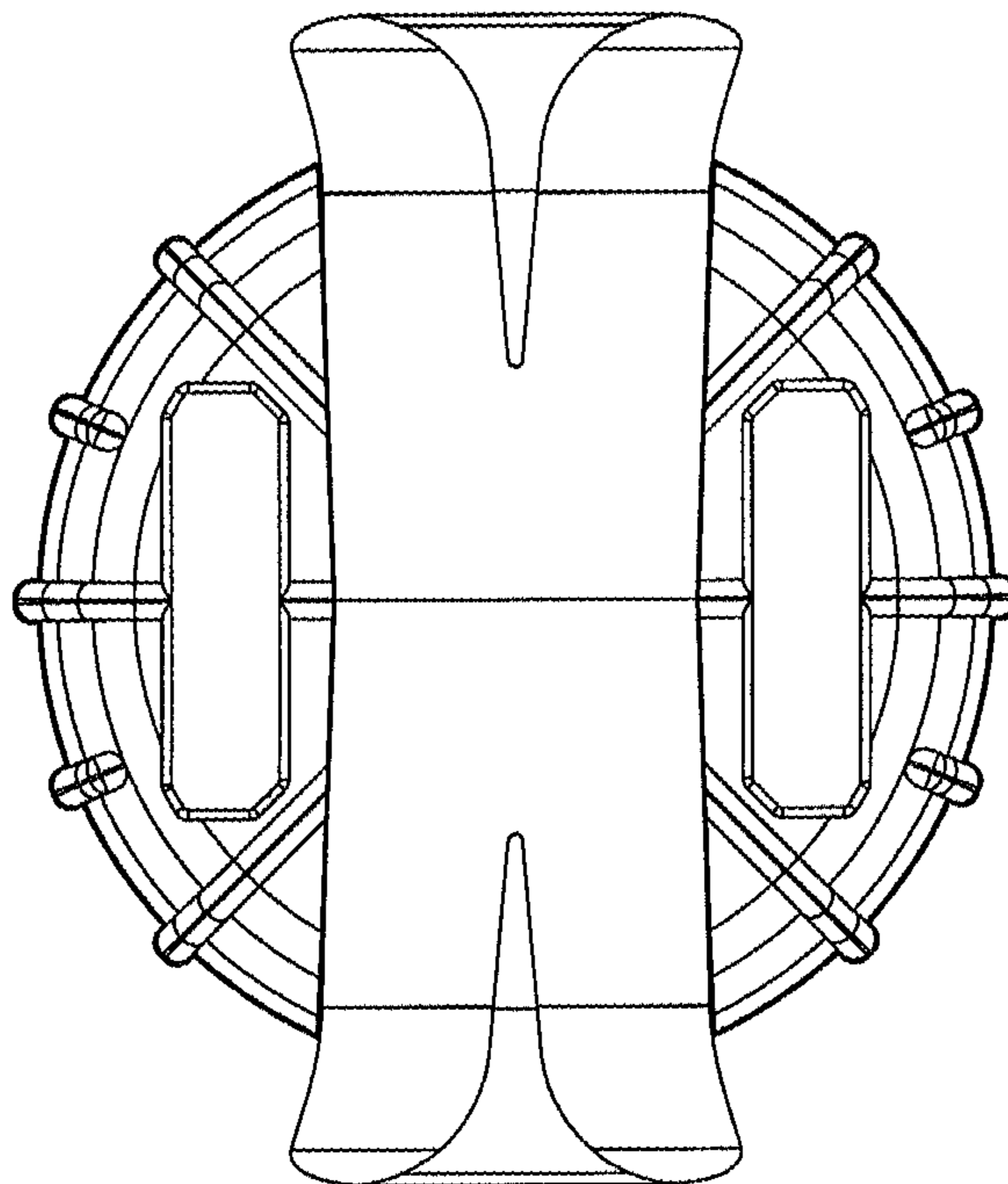


FIG. 2

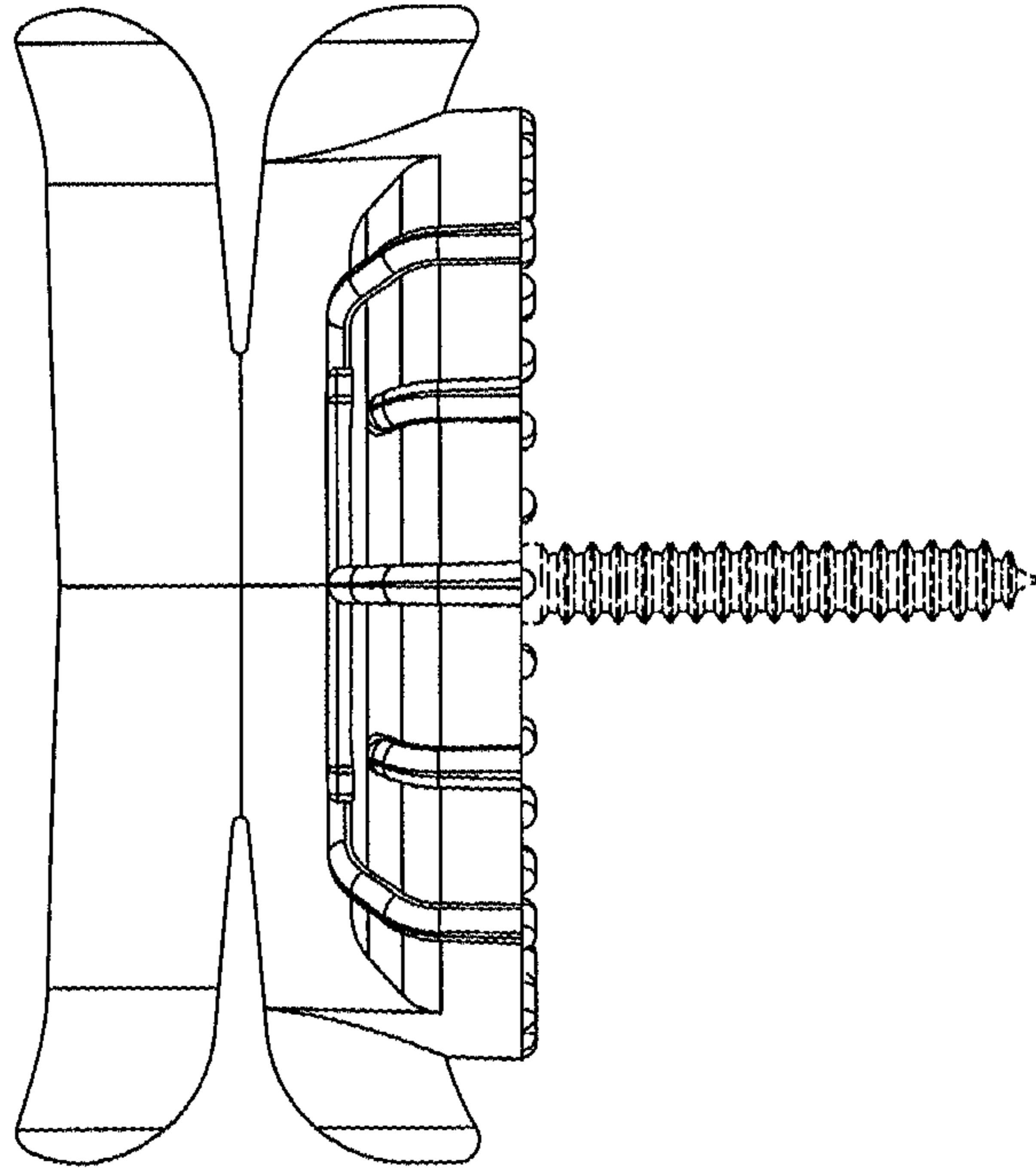


FIG. 4

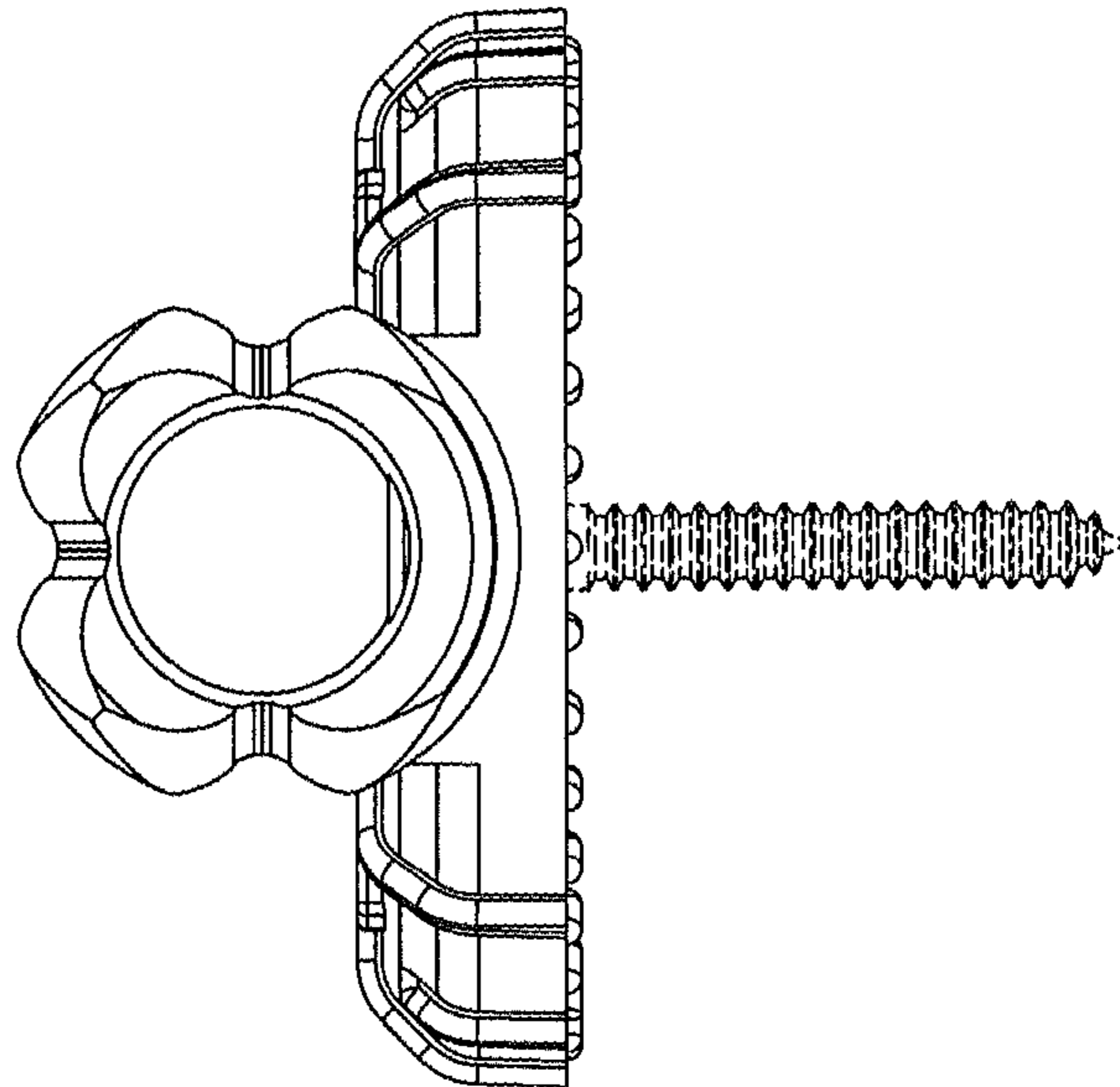


FIG. 3

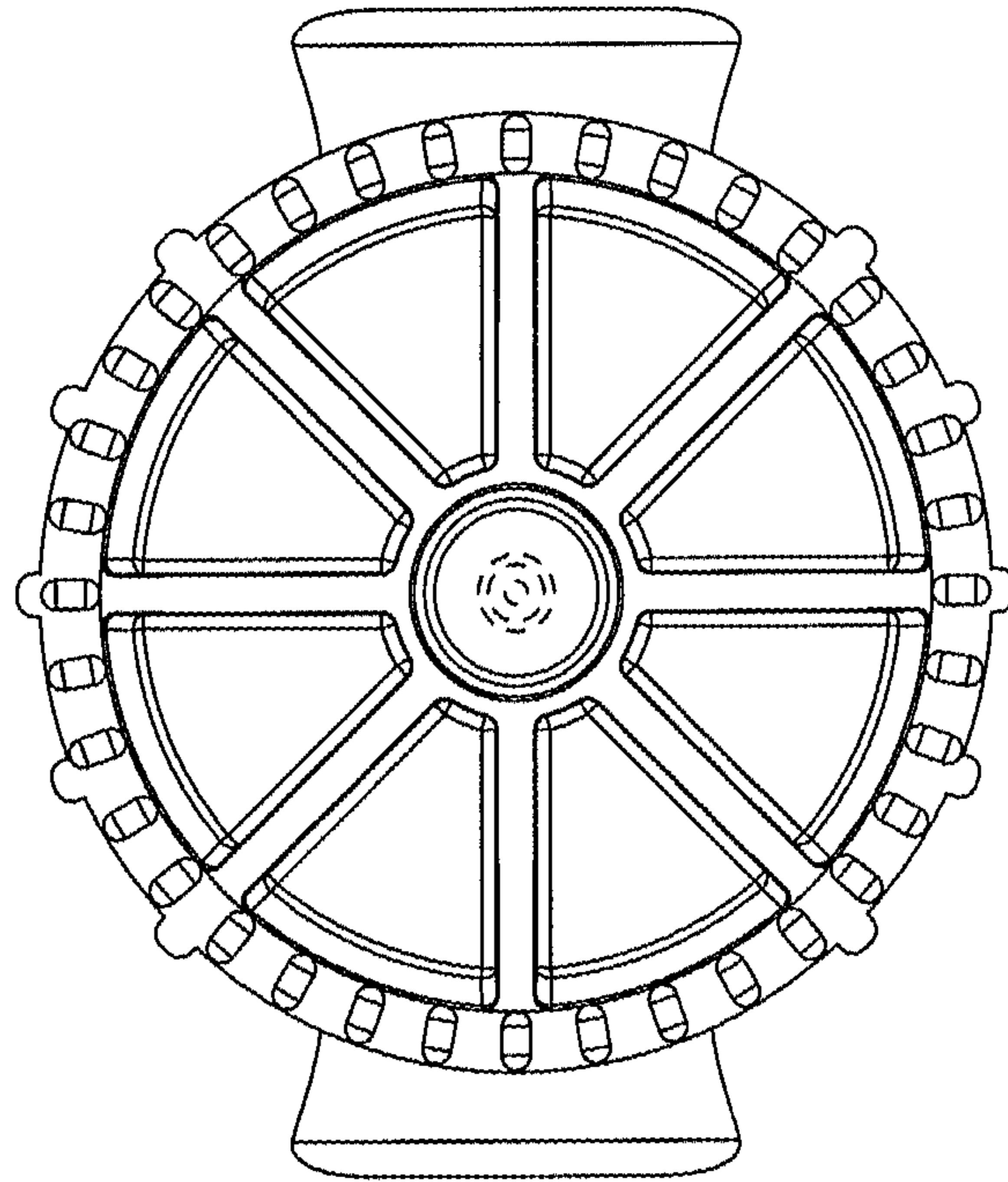


FIG. 5

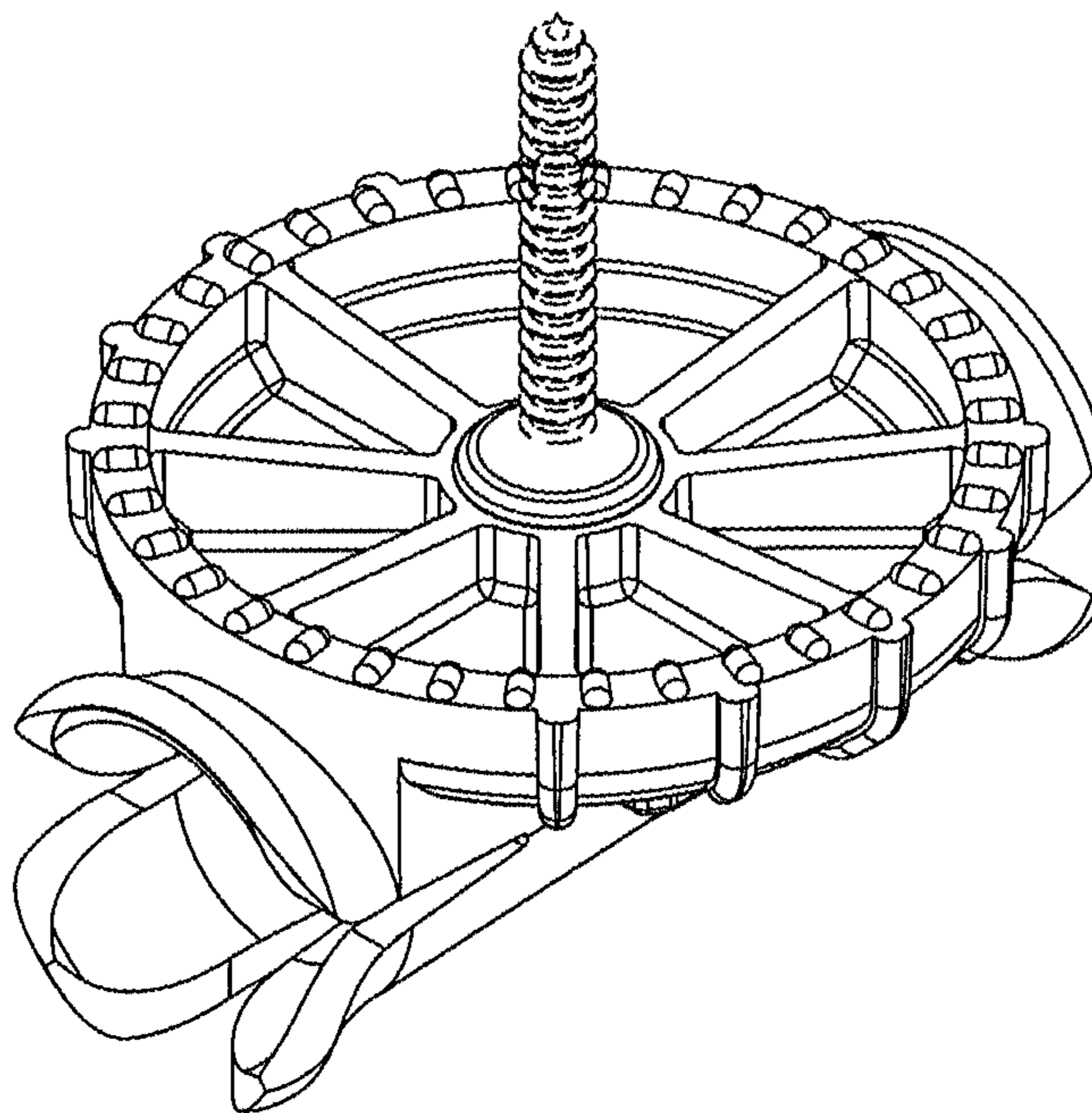


FIG. 6