



US00D776514S

(12) **United States Design Patent** (10) **Patent No.:** **US D776,514 S**
Schroeder et al. (45) **Date of Patent:** **** Jan. 17, 2017**

(54) **MOUNTING ADAPTOR FOR ATTACHMENT TO A TRACK**

4,230,432 A 10/1980 Howell
4,397,432 A 8/1983 Resetar et al.
4,423,817 A 1/1984 Monjo-Rufi
4,853,555 A 8/1989 Wheat
5,886,674 A 3/1999 Yoshimi
(Continued)

(71) Applicant: **Ferno-Washington, Inc.**, Wilmington, OH (US)

(72) Inventors: **Timothy Paul Schroeder**, Mason, OH (US); **James C. West, III**, Midland, OH (US); **Robert C. Chinn**, Cumming, GA (US); **Peter Smolan**, Trencin (SK); **Michal Vacula**, Zvolen (SK); **Ladislav Turek**, Trencin (SK)

FOREIGN PATENT DOCUMENTS

DE 3230905 A1 2/1984
DE 8910460 U1 10/1989
(Continued)

(73) Assignee: **Ferno-Washington, Inc.**, Wilmington, OH (US)

OTHER PUBLICATIONS

Examination Report dated Feb. 5, 2016 pertaining to European Patent Application No. 14703501.8.
(Continued)

(**) Term: **14 Years**

Primary Examiner — Mark Goodwin
(74) *Attorney, Agent, or Firm* — Dinsmore & Shohl LLP

(21) Appl. No.: **29/524,531**

(22) Filed: **Apr. 21, 2015**

(51) **LOC (10) Cl.** **08-05**

(52) **U.S. Cl.**
USPC **D8/354**

(57) **CLAIM**

The ornamental design of a mounting adaptor for attachment to a track, as shown and described.

(58) **Field of Classification Search**

USPC D8/349, 354, 363; D14/451, 452;
248/222.11, 274.1, 278.1, 284.1, 220.22,
248/221.11, 221.12, 222.13, 222.41,
248/223.31, 223.41, 224.51, 224.61,
248/224.8, 225.11, 316.2, 407, 346.03,
346.04, 346.06, 177.1, 248/178.1, 187.1;
224/547, 548, 554, 567, 571
CPC B60R 2011/0059; B60R 2011/0061;
B60R 2011/0073; B60R 2011/0078; B60R
2011/0084; F16M 11/041; F16M 13/02;
F16M 2200/02; B60P 7/0807; B60P
7/0815; F16B 2/14; A61B 90/50
See application file for complete search history.

DESCRIPTION

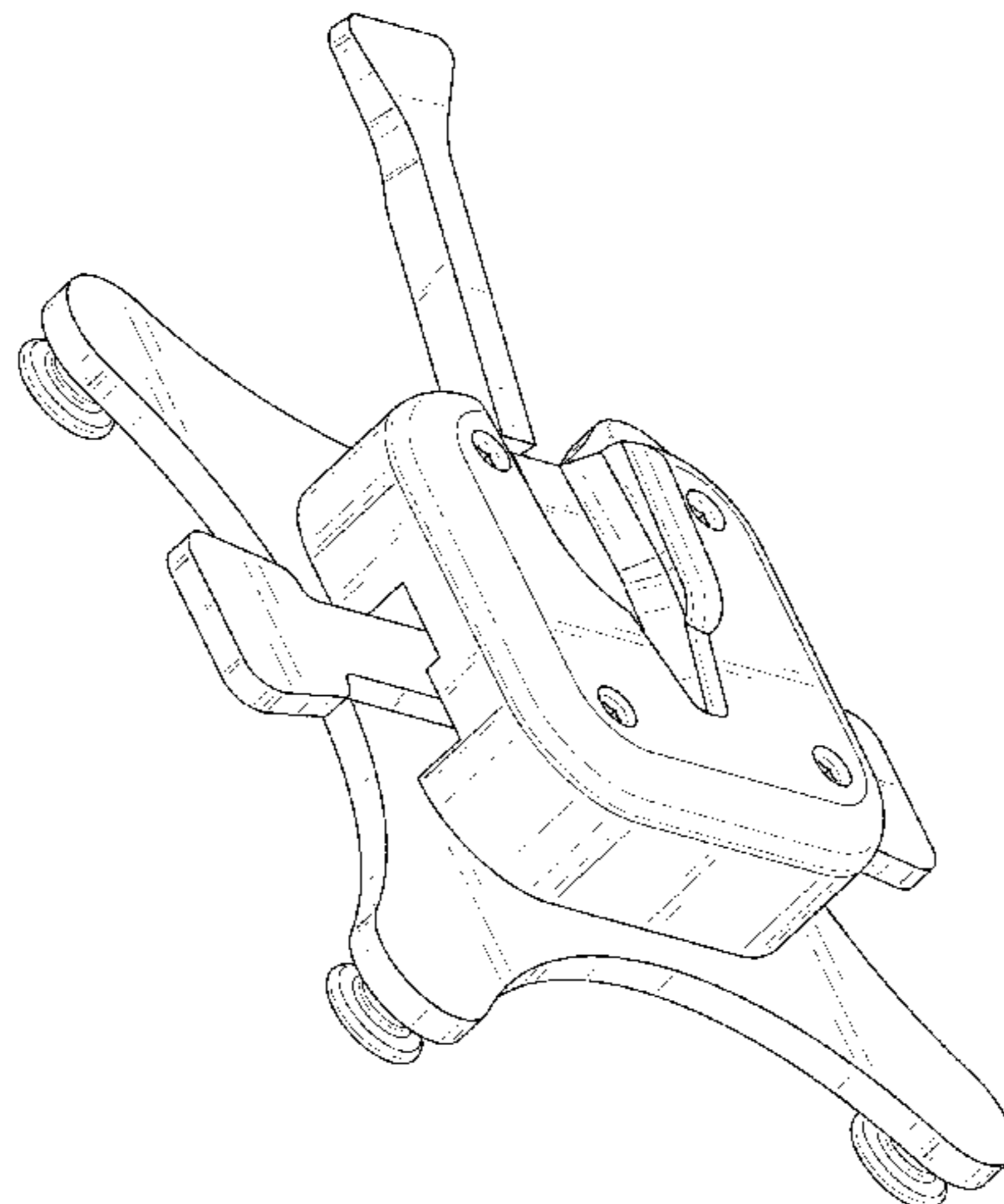
FIG. 1 is a front planar view of an embodiment of a mounting adaptor for attachment to a track illustrating our new design;
FIG. 2 is a back planar view thereof;
FIG. 3 is a top plan view thereof;
FIG. 4 is a bottom plan view thereof;
FIG. 5 is a right side elevational view thereof;
FIG. 6 is a left side elevational view thereof;
FIG. 7 is a front, top, right isometric view thereof; and,
FIG. 8 is a front, bottom, left isometric view thereof.
The broken lines in the drawings represent portions of the mounting adaptor for attachment to a track that form no part of the claimed design.

(56) **References Cited**

U.S. PATENT DOCUMENTS

2,688,504 A 9/1954 Parker
3,718,886 A 2/1973 Hoffmeister

1 Claim, 8 Drawing Sheets



(56)

References Cited

U.S. PATENT DOCUMENTS

D536,603 S * 2/2007 Worrall D8/363
 D560,470 S * 1/2008 Short D8/354
 D579,319 S * 10/2008 Short D8/354
 D580,741 S * 11/2008 Short D8/354
 D581,252 S * 11/2008 Short D8/354
 D587,273 S * 2/2009 Sculler D14/239
 7,502,226 B2 * 3/2009 Searby F16M 11/04
 361/679.41
 7,507,005 B1 3/2009 Mier-Langner
 7,654,834 B1 2/2010 Mier-Langner et al.
 7,673,838 B2 * 3/2010 Oddsen, Jr. F16M 11/02
 248/221.11
 D641,610 S * 7/2011 Sedalo D8/354
 7,984,889 B2 * 7/2011 Whitley F16M 11/06
 248/221.11
 D658,040 S * 4/2012 Ghatikar D8/354
 D700,834 S * 3/2014 Fievet D8/382
 8,674,205 B2 * 3/2014 Voorhees A61K 31/198
 84/329
 D715,622 S * 10/2014 Qu D8/349
 8,992,238 B2 3/2015 Chinn
 2002/0011544 A1 * 1/2002 Bosson F16M 11/04
 248/121
 2004/0011932 A1 * 1/2004 Duff F16M 11/08
 248/157
 2004/0178309 A1 9/2004 Crowley et al.
 2004/0253856 A1 12/2004 Hoffmann
 2004/0262474 A1 * 12/2004 Boks F16M 11/04
 248/276.1
 2007/0097617 A1 * 5/2007 Searby F16M 11/04
 361/679.4

2008/0302553 A1 12/2008 Ross et al.
 2012/0006873 A1 1/2012 Chinn
 2012/0126075 A1 5/2012 Chinn et al.
 2014/0015603 A1 1/2014 Scott et al.
 2014/0226315 A1 8/2014 Nicieja et al.
 2014/0227892 A1 8/2014 Chinn
 2016/0031382 A1 * 2/2016 Chinn B60P 7/0815
 248/222.11

FOREIGN PATENT DOCUMENTS

DE 19716046 A1 10/1998
 EP 0105675 A2 4/1984
 EP D260726 3/1988
 FR 1085340 1/1955
 FR 2649007 1/1991
 GB 2452083 A 2/2009
 WO 2006122351 A1 11/2006
 WO 2011006163 A2 1/2011

OTHER PUBLICATIONS

Office Action dated Dec. 22, 2015 pertaining to Chinese Patent Application No. 201410247226.1.
 Office Action dated Dec. 16, 2015 pertaining to Japanese Patent Application No. 2015-020347.
 Notice of Allowance dated Jan. 20, 2016 pertaining to U.S. Appl. No. 14/633,797.
 Official Action dated Feb. 29, 2016 pertaining to Egyptian Patent Application No. PCT/NA/50/2012.
 Examination Report dated Mar. 1, 2016 pertaining to European Patent Application No. 14707550.1.

* cited by examiner

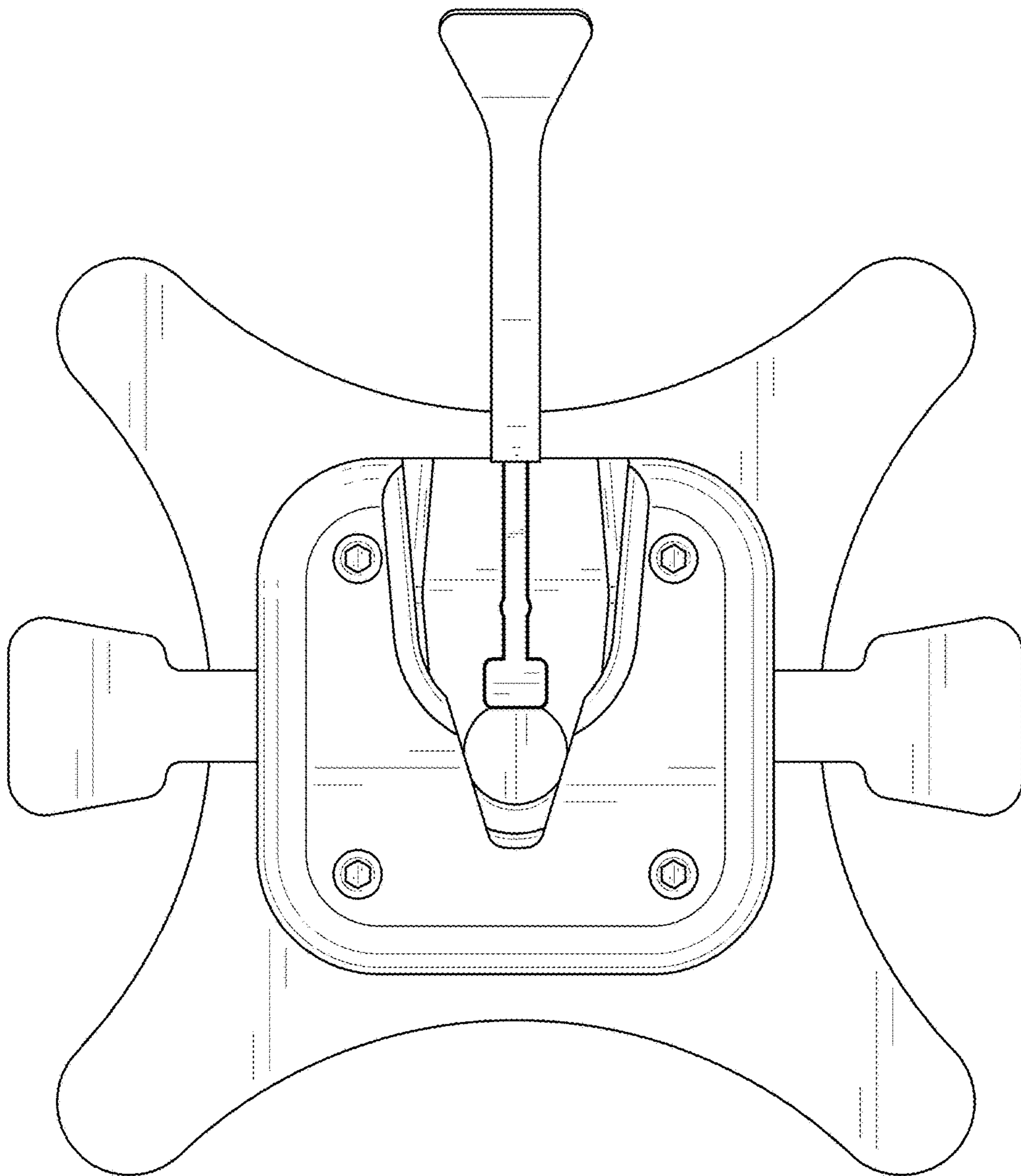


FIG. 1

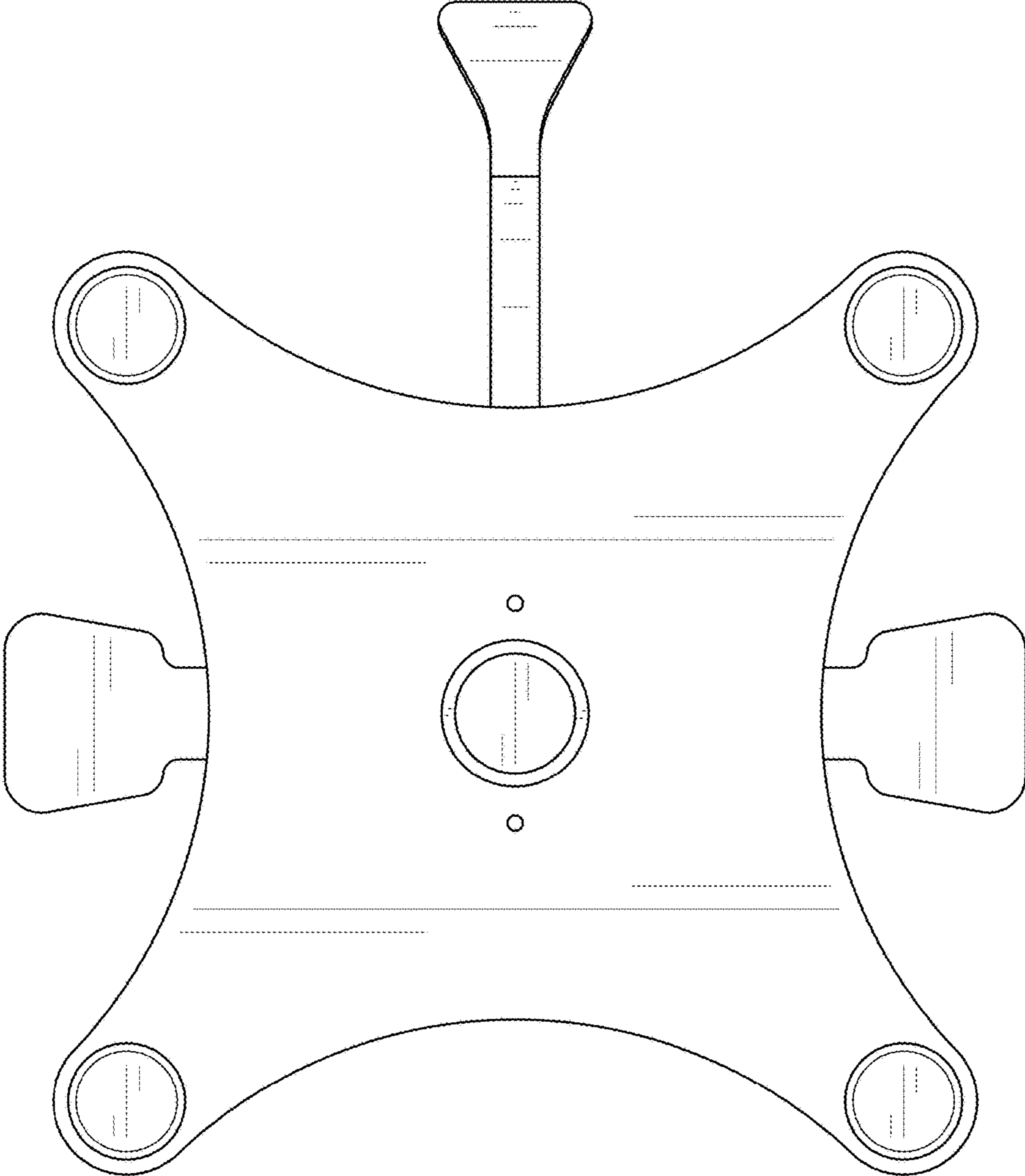


FIG. 2

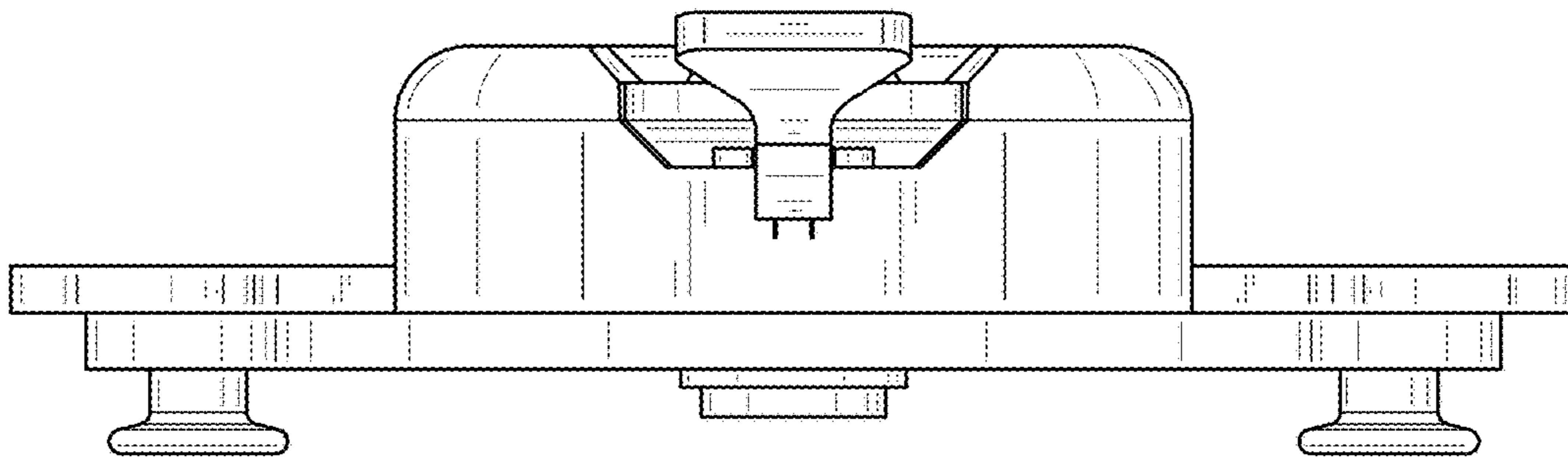


FIG. 3

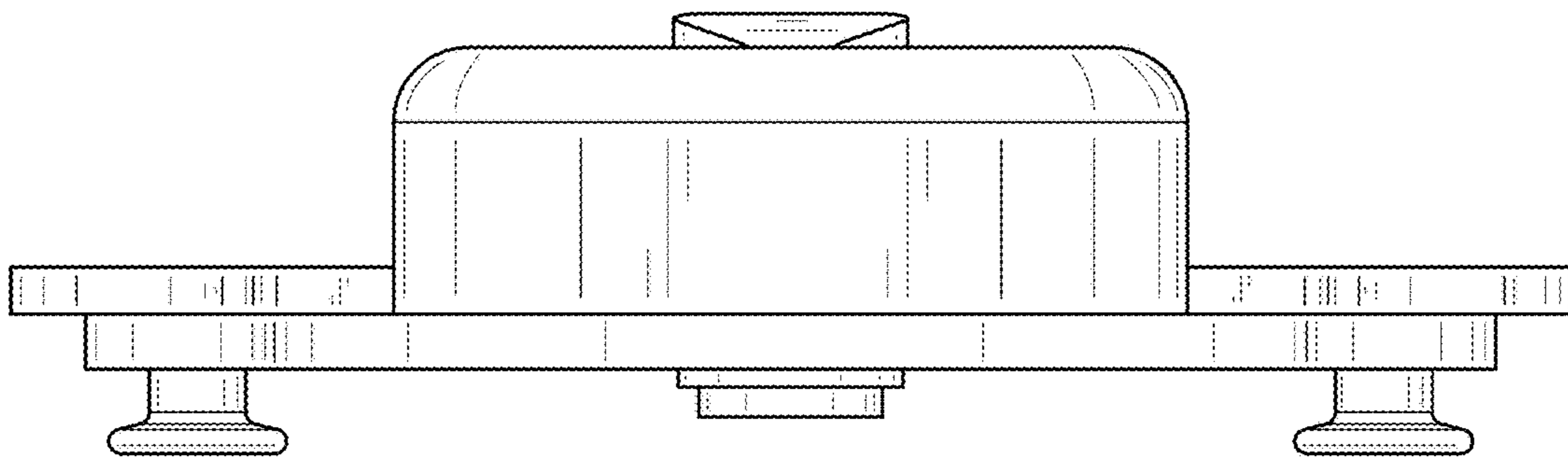


FIG. 4

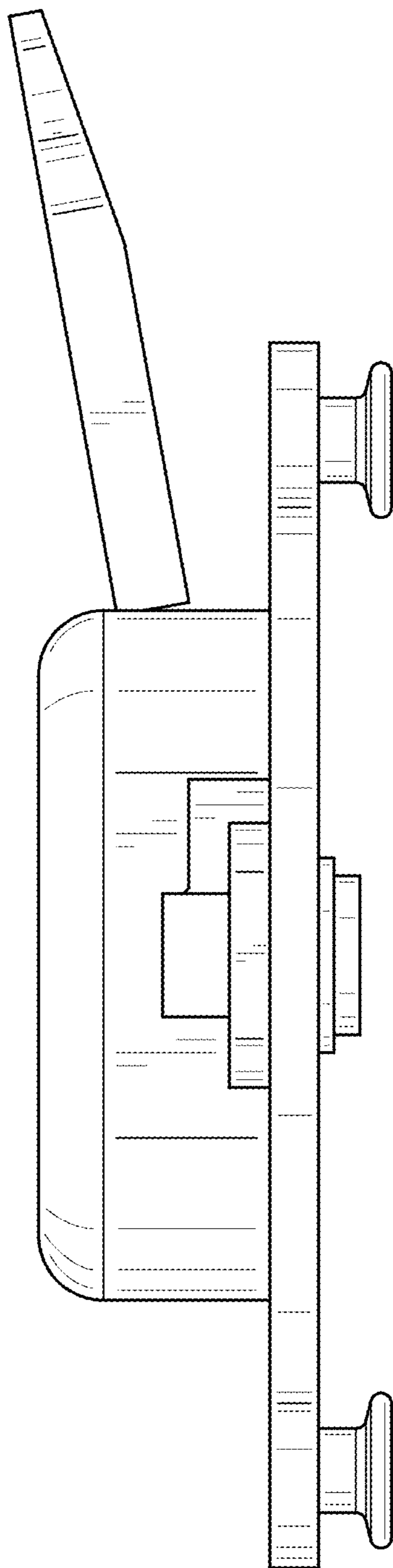


FIG. 5

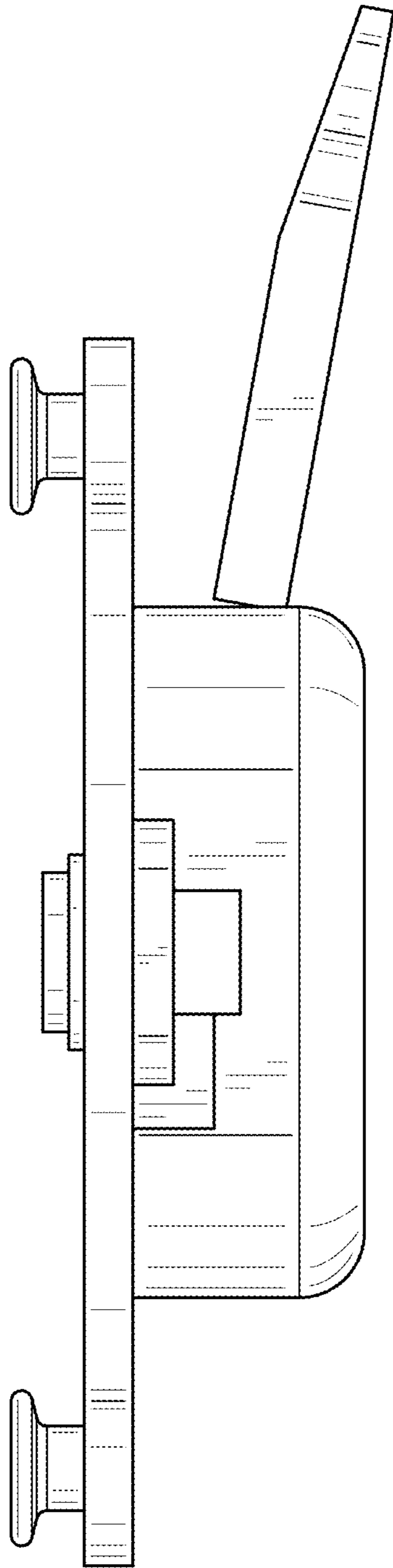


FIG. 6

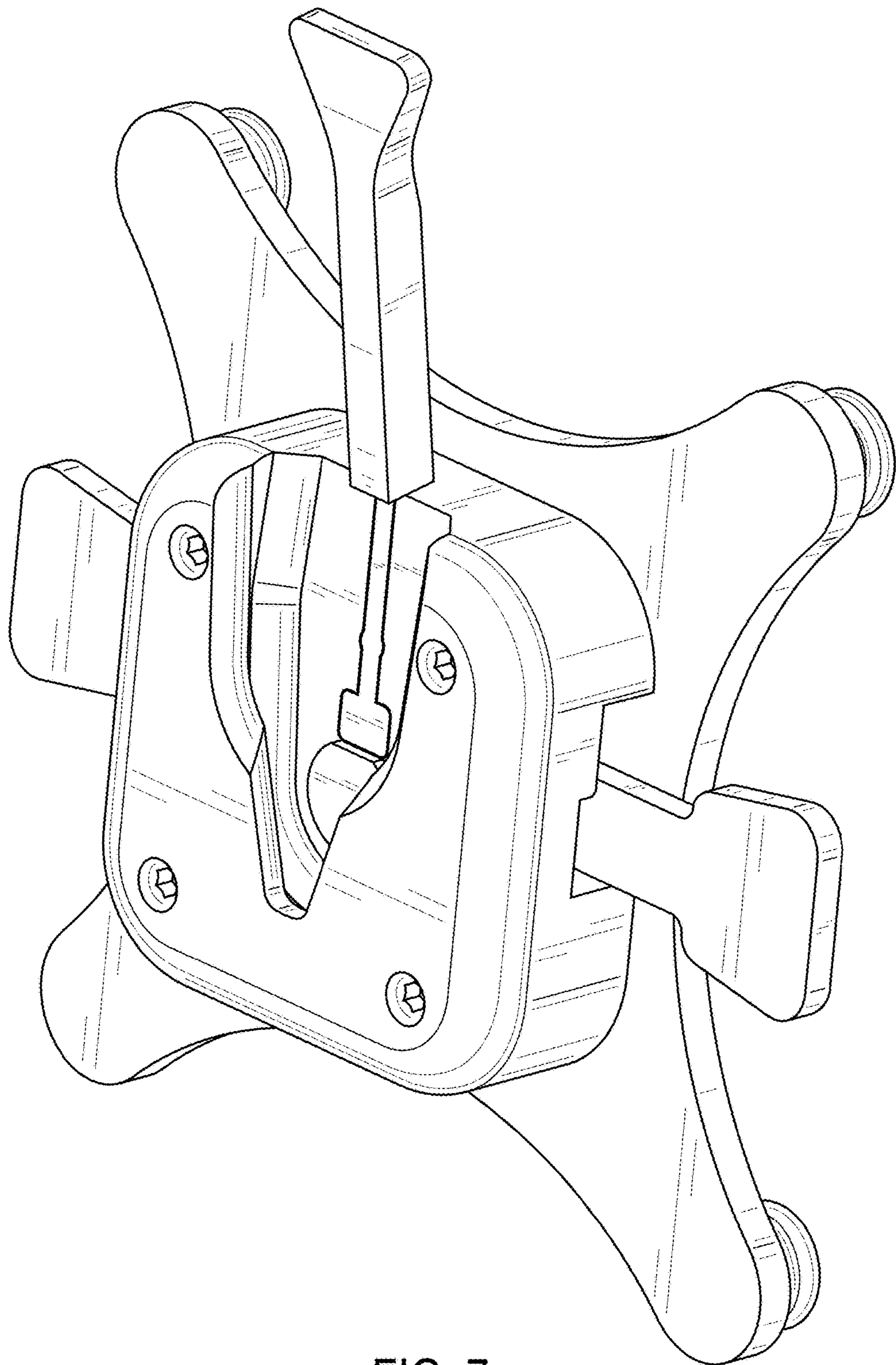


FIG. 7

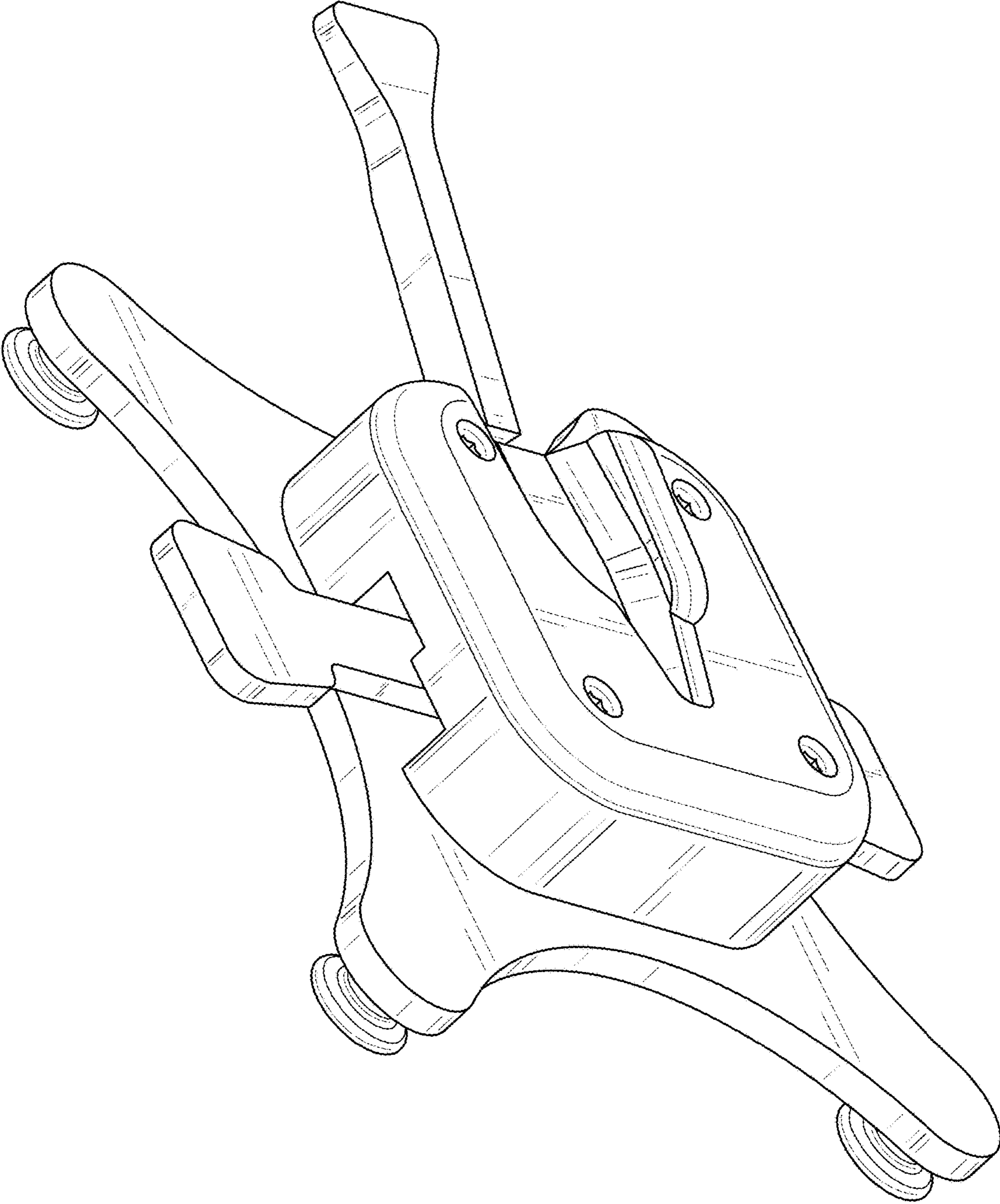


FIG. 8

UNITED STATES PATENT AND TRADEMARK OFFICE
CERTIFICATE OF CORRECTION

PATENT NO. : D776,514 S
APPLICATION NO. : 29/524531
DATED : January 17, 2017
INVENTOR(S) : Timothy Paul Schroeder et al.

Page 1 of 1

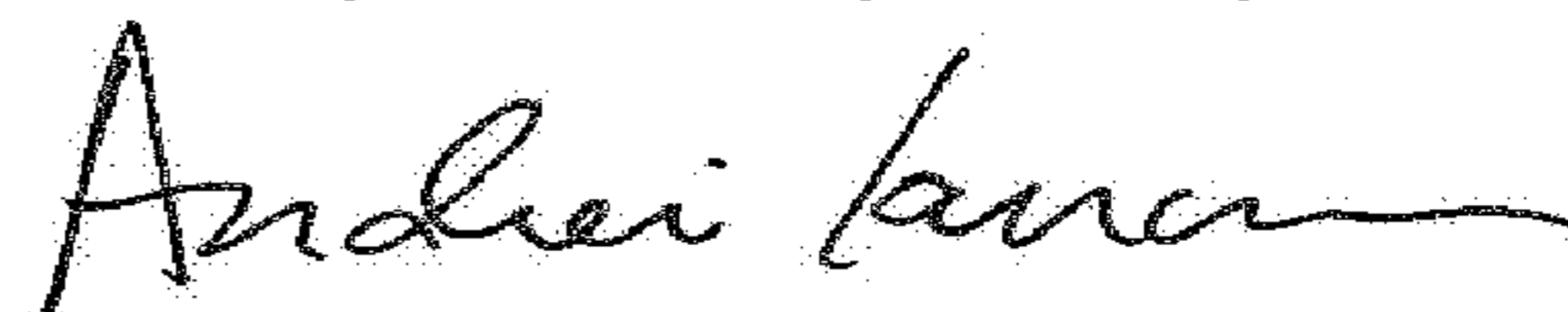
It is certified that error appears in the above-identified patent and that said Letters Patent is hereby corrected as shown below:

On the Title Page

Column 2 after Fig. 8 delete:

“The broken lines in the drawings represent portions of the mounting adaptor for attachment to a track that form no part of the claimed design.”

Signed and Sealed this
Twenty-ninth Day of May, 2018



Andrei Iancu
Director of the United States Patent and Trademark Office