



US00D776512S

(12) **United States Design Patent** (10) **Patent No.:** **US D776,512 S**  
**Kobos et al.** (45) **Date of Patent:** **\*\* Jan. 17, 2017**

(54) **HINGE COVER**

D757,517 S \* 5/2016 Tosin ..... D8/323  
D758,163 S \* 6/2016 Tosin ..... D8/323

(71) Applicant: **WHIRLPOOL CORPORATION**,  
Benton Harbor, MI (US)

\* cited by examiner

(72) Inventors: **Duane M. Kobos**, LaPorte, IN (US);  
**Todd J. Tunzi**, St. Joseph, MI (US)

*Primary Examiner* — Cynthia Underwood

(73) Assignee: **Whirlpool Corporation**, Benton  
Harbor, MI (US)

(57) **CLAIM**

(\*\*) Term: **14 Years**

The ornamental design for a hinge cover, as shown and described.

(21) Appl. No.: **29/522,609**

**DESCRIPTION**

(22) Filed: **Apr. 1, 2015**

(51) **LOC (10) Cl.** ..... **08-06**

(52) **U.S. Cl.**  
USPC ..... **D8/323**

(58) **Field of Classification Search**  
USPC ..... D8/330, 328, 381, 356, 323  
CPC ..... E05D 3/00  
See application file for complete search history.

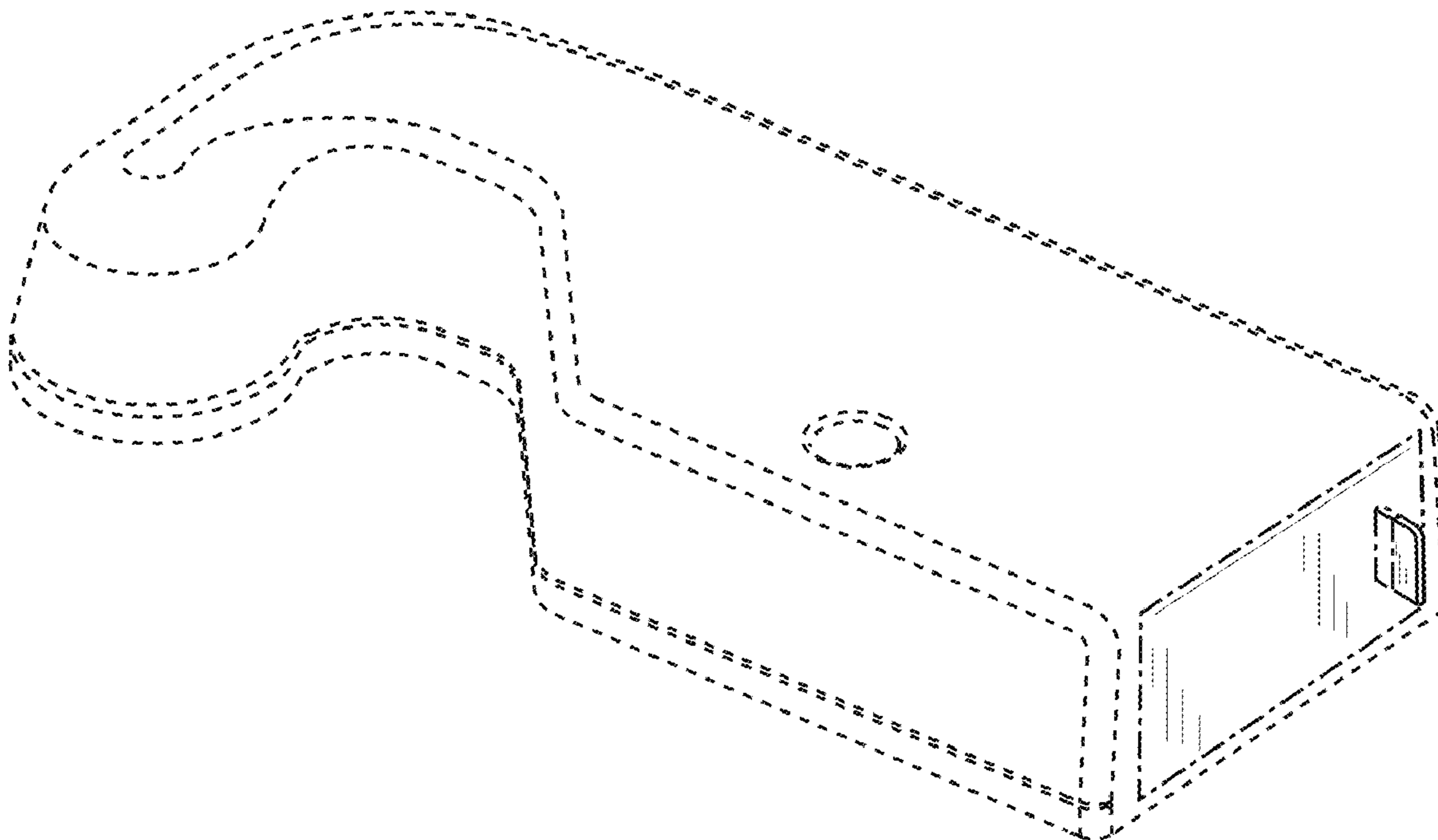
FIG. 1 is a top-front perspective view of a hinge cover according to a first embodiment of our design;  
FIG. 2 is a top view thereof;  
FIG. 3 is a bottom view thereof;  
FIG. 4 is a left-side elevation view thereof;  
FIG. 5 is a right-side elevation view thereof; and,  
FIG. 6 is a front elevation view thereof.  
The broken lines are of portions of the hinge cover that form no part of the claimed design. The dash-dot lines adjacent un-shaded areas represent bounds of the claimed design and form no part of the claimed design themselves.

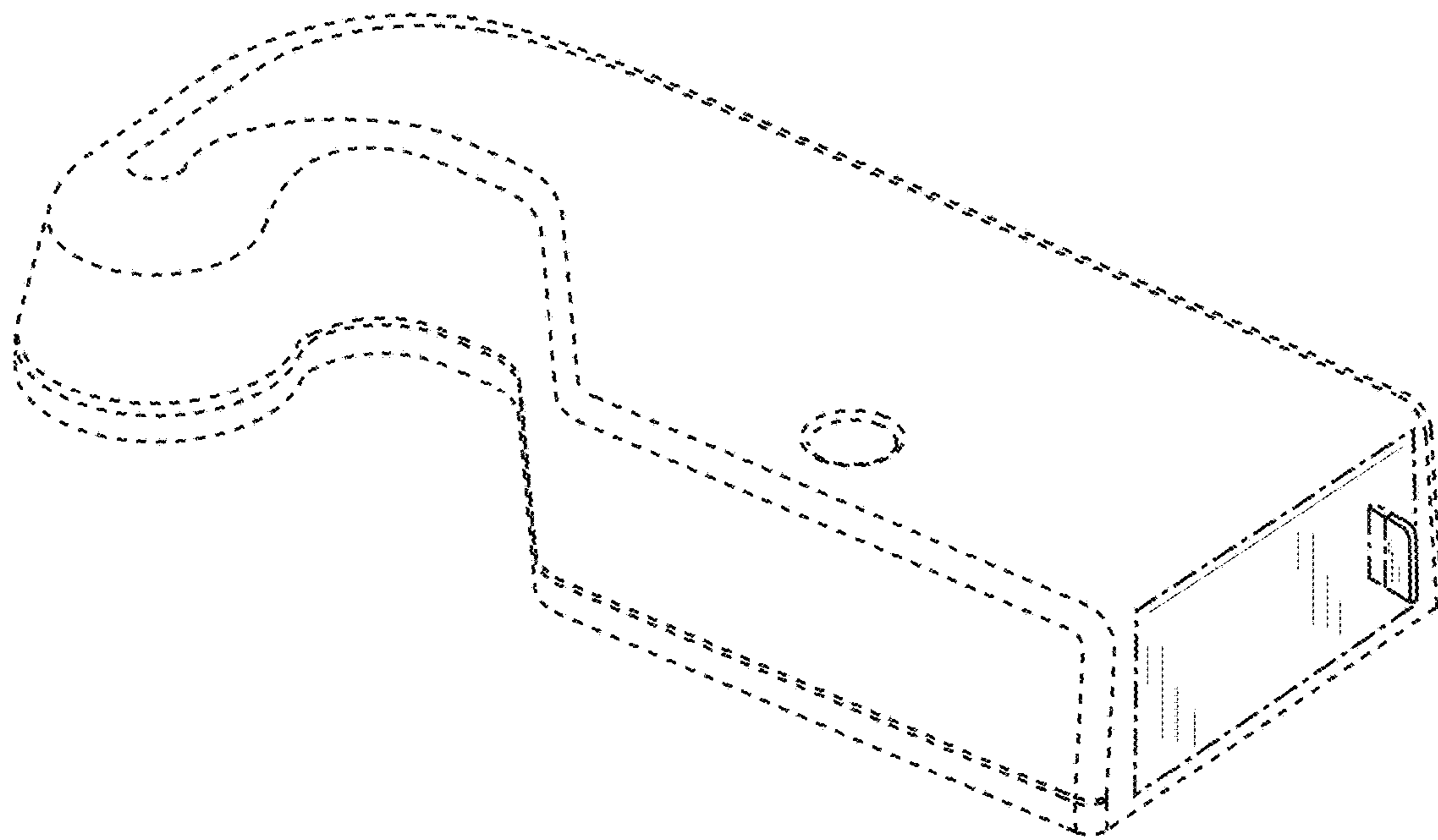
(56) **References Cited**

**U.S. PATENT DOCUMENTS**

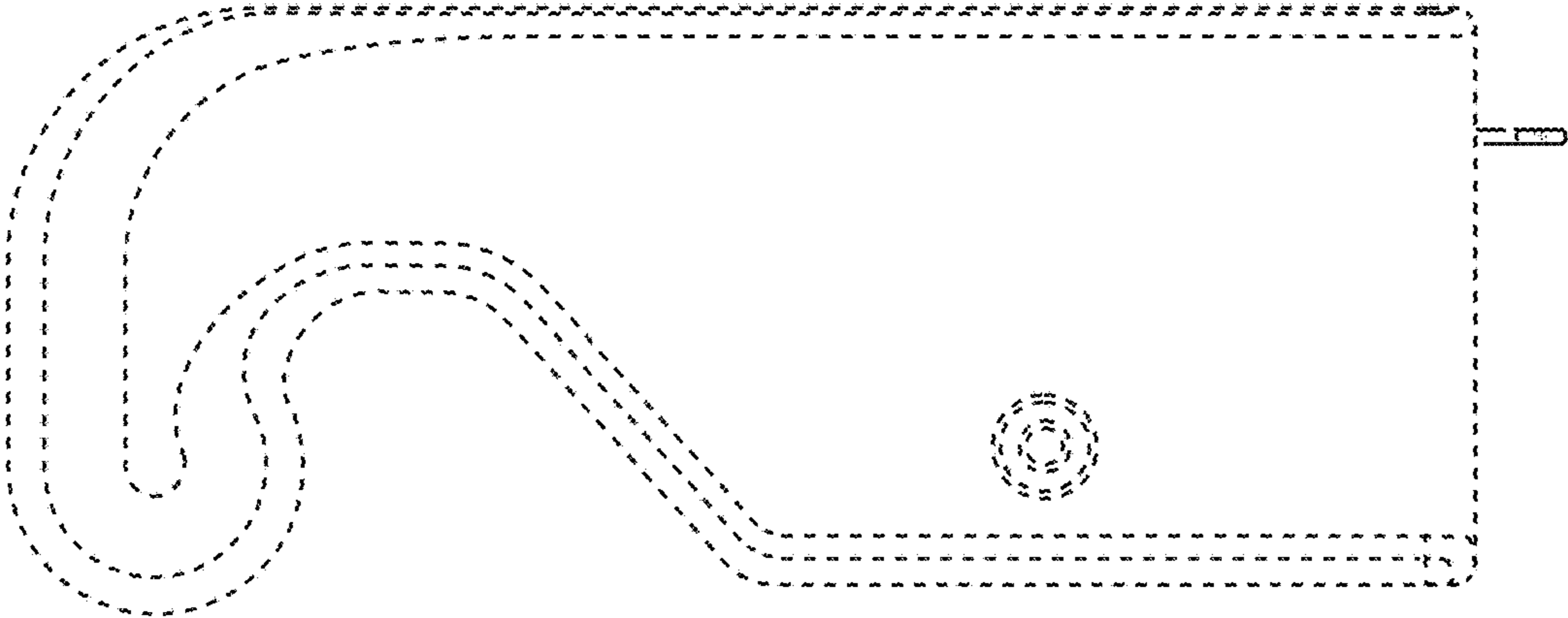
D718,607 S \* 12/2014 Thrush ..... D8/323

**1 Claim, 3 Drawing Sheets**

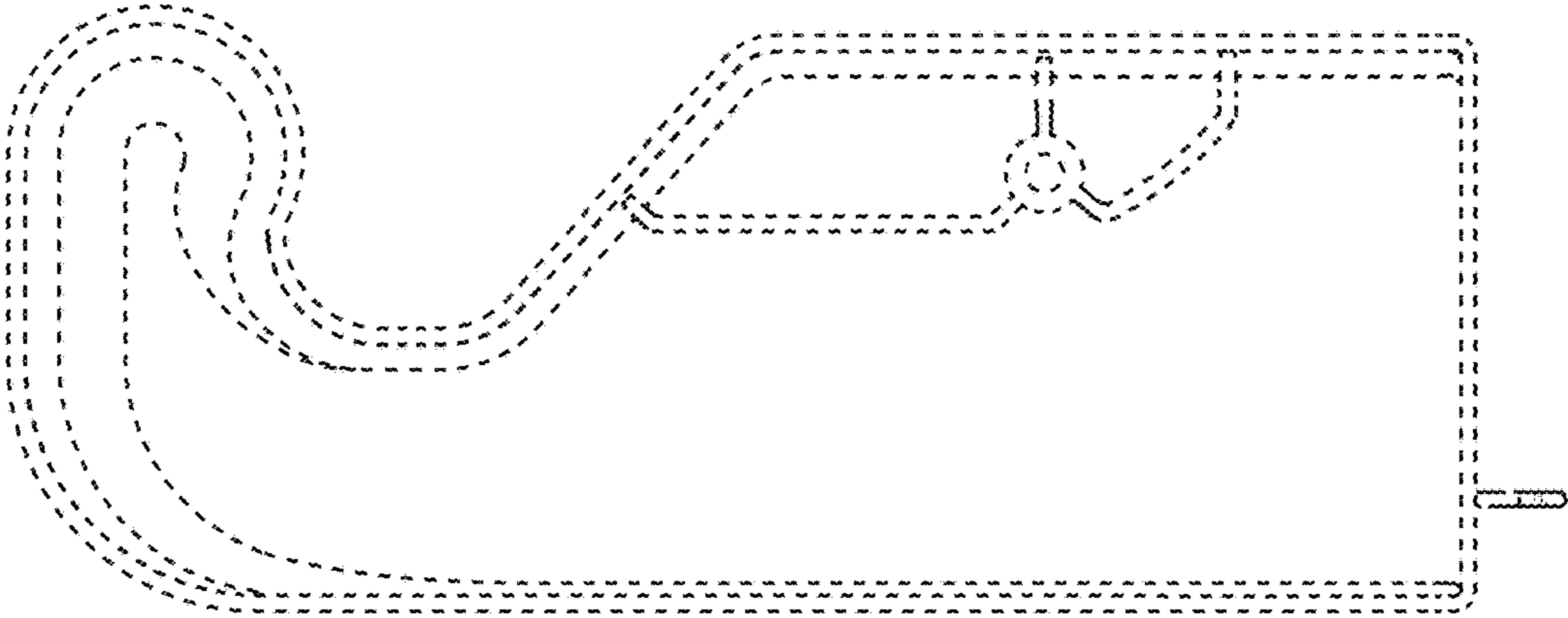




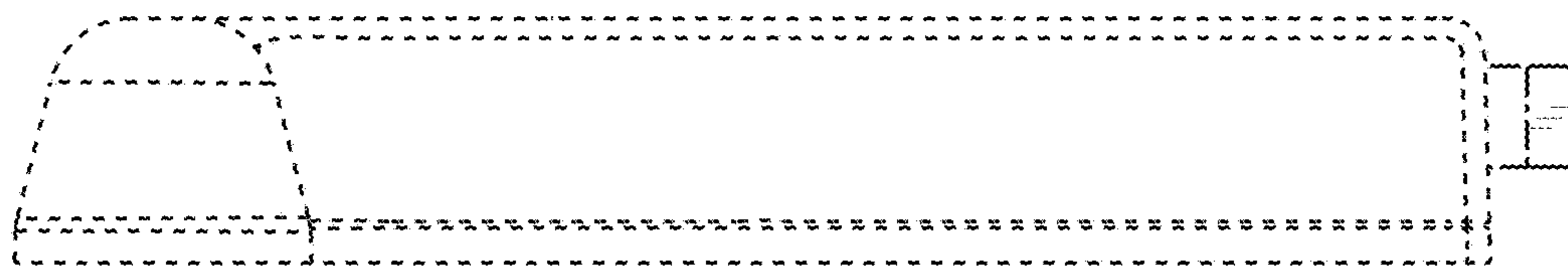
**FIG. 1**



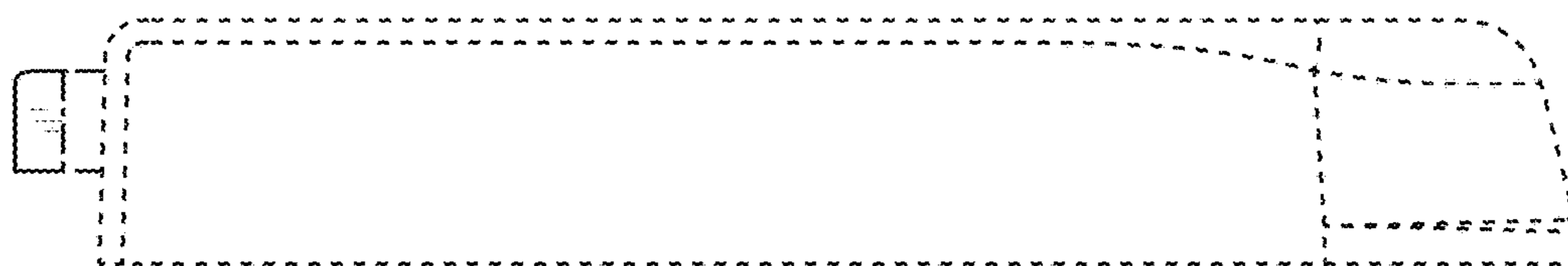
**FIG. 2**



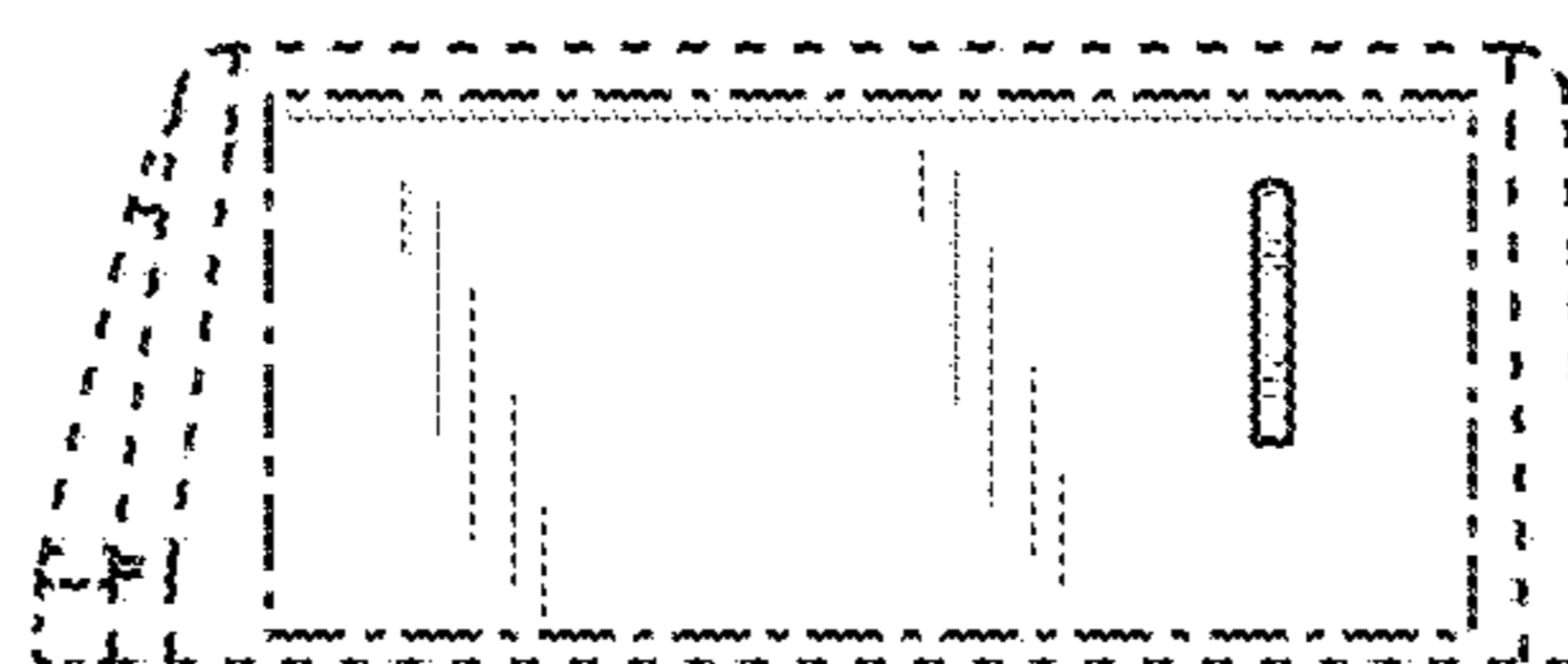
**FIG. 3**



**FIG. 4**



**FIG. 5**



**FIG. 6**