



US00D776511S

(12) **United States Design Patent** (10) **Patent No.:** **US D776,511 S**  
**Eads** (45) **Date of Patent:** **\*\* Jan. 17, 2017**

(54) **KNOB**

(71) Applicant: **DELTA FAUCET COMPANY,**  
Indianapolis, IN (US)

(72) Inventor: **Thad Eads,** North Manchester, IN (US)

(73) Assignee: **DELTA FAUCET COMPANY,**  
Indianapolis, IN (US)

(\*\*) Term: **15 Years**

(21) Appl. No.: **29/551,230**

(22) Filed: **Jan. 12, 2016**

(51) **LOC (10) Cl.** ..... **08-06**

(52) **U.S. Cl.**  
USPC ..... **D8/307**

(58) **Field of Classification Search**  
USPC ..... D8/300, 305, 307, 393, DIG. 1, DIG. 2;  
D7/393, 542, 586; D23/250, 254;  
16/110.1, 16/413, 414, 415, 417, 422,  
16/441, DIG. 30; 292/336.3, 347;  
D21/385, 386, 388, 484  
CPC .... Y10T 292/57; Y10T 292/82; Y10T 16/469;  
Y10T 16/44; Y10T 16/506; Y10T 292/85;  
Y10T 16/458; Y10T 74/2084; Y10T  
16/46; Y10T 16/459; Y10T  
74/20732; Y10T 292/03; Y10T 16/4713;  
Y10T 16/466; Y10T 292/88; Y10T  
29/49599; Y10T 16/487; Y10T 16/462;  
Y10T 16/4636; Y10T 74/20864; Y10T  
70/5155; Y10T 16/4559; Y10T 292/0951;  
Y10T 292/0891; Y10T 292/0934; Y10T  
292/0968; E05B 1/0007; E05B 1/0015;  
E05B 79/06; E05B 85/10; E05B 1/0053;  
E05B 55/005; E05B 1/00; E05B 85/107;  
E05B 3/00

See application file for complete search history.

(56) **References Cited**

U.S. PATENT DOCUMENTS

2,679,913	A *	6/1954	Scott	.....	E05B 1/0015
					16/414
2,796,627	A *	6/1957	Heyer	.....	E05B 1/0015
					16/417
D185,098	S *	5/1959	Prescott	.....	D8/302
D185,283	S *	5/1959	Heyer	.....	D8/307
4,193,166	A *	3/1980	Neff	.....	A47J 45/063
					16/441
4,790,208	A *	12/1988	Johnson	.....	G05G 1/12
					16/441
5,255,413	A *	10/1993	Sabo	.....	A47B 95/02
					16/417
D598,267	S *	8/2009	Menzies	.....	D8/307
D602,330	S *	10/2009	Hanes	.....	D8/307
D602,332	S *	10/2009	Hanes	.....	D8/307
D643,276	S *	8/2011	Roe	.....	D8/307
D645,723	S *	9/2011	Roe	.....	D8/307
D680,408	S *	4/2013	Han	.....	D8/307
D680,409	S *	4/2013	Han	.....	D8/307

\* cited by examiner

*Primary Examiner* — Derrick Holland

*Assistant Examiner* — Lauren Calve

(74) *Attorney, Agent, or Firm* — Edgar A. Zarins; Nirav D. Parikh

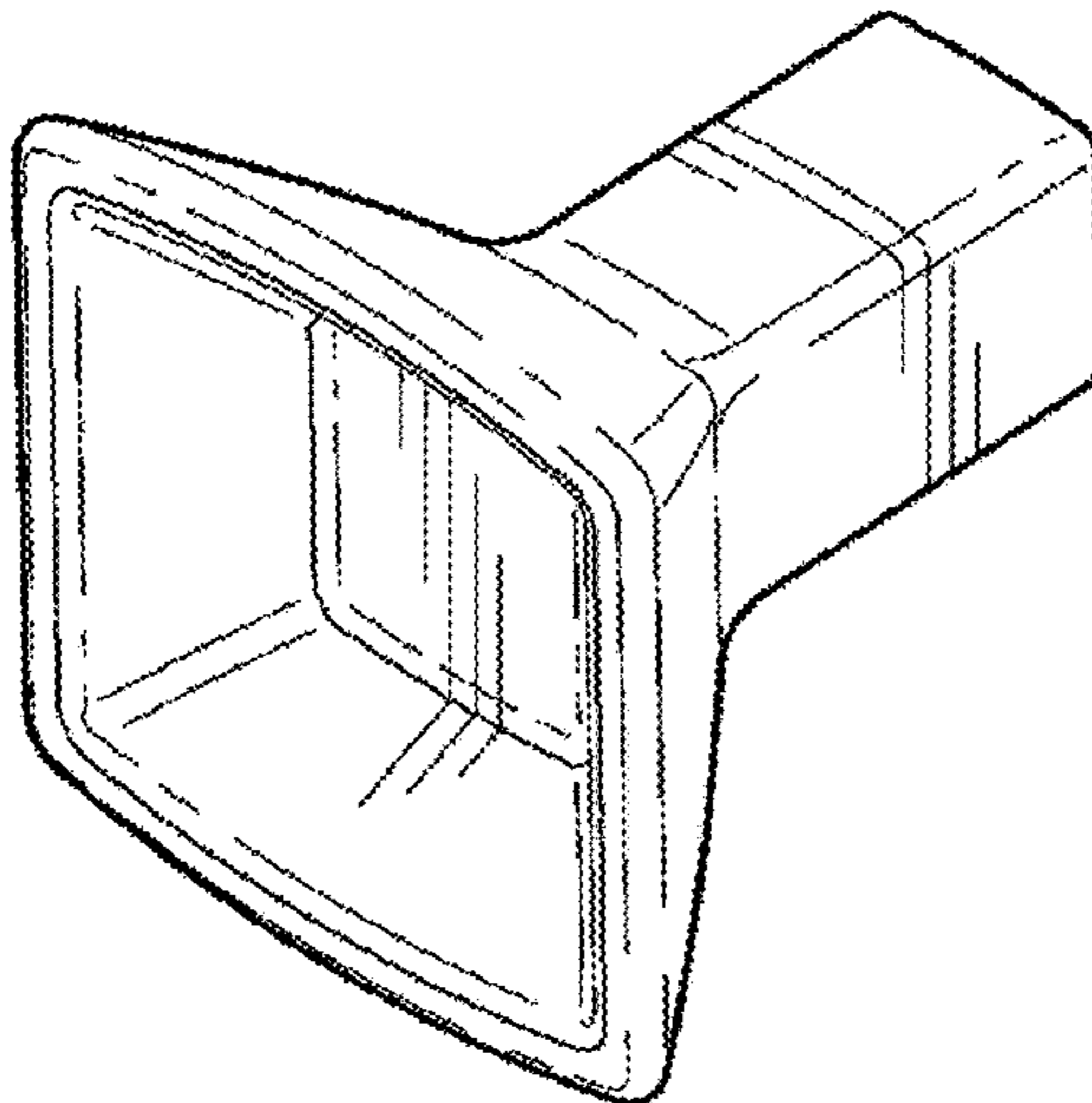
(57) **CLAIM**

The ornamental design for a knob, as shown and described.

**DESCRIPTION**

FIG. 1 is a perspective view of a knob showing my new design;  
FIG. 2 is a first side view thereof, the opposite side view being a mirror image thereof;  
FIG. 3 is a second side view thereof, the opposite side view being a mirror image thereof;  
FIG. 4 is a front view thereof; and,  
FIG. 5 is a rear view thereof.  
The broken lines shown represent unclaimed subject matter and form no part of the claimed design.

**1 Claim, 1 Drawing Sheet**



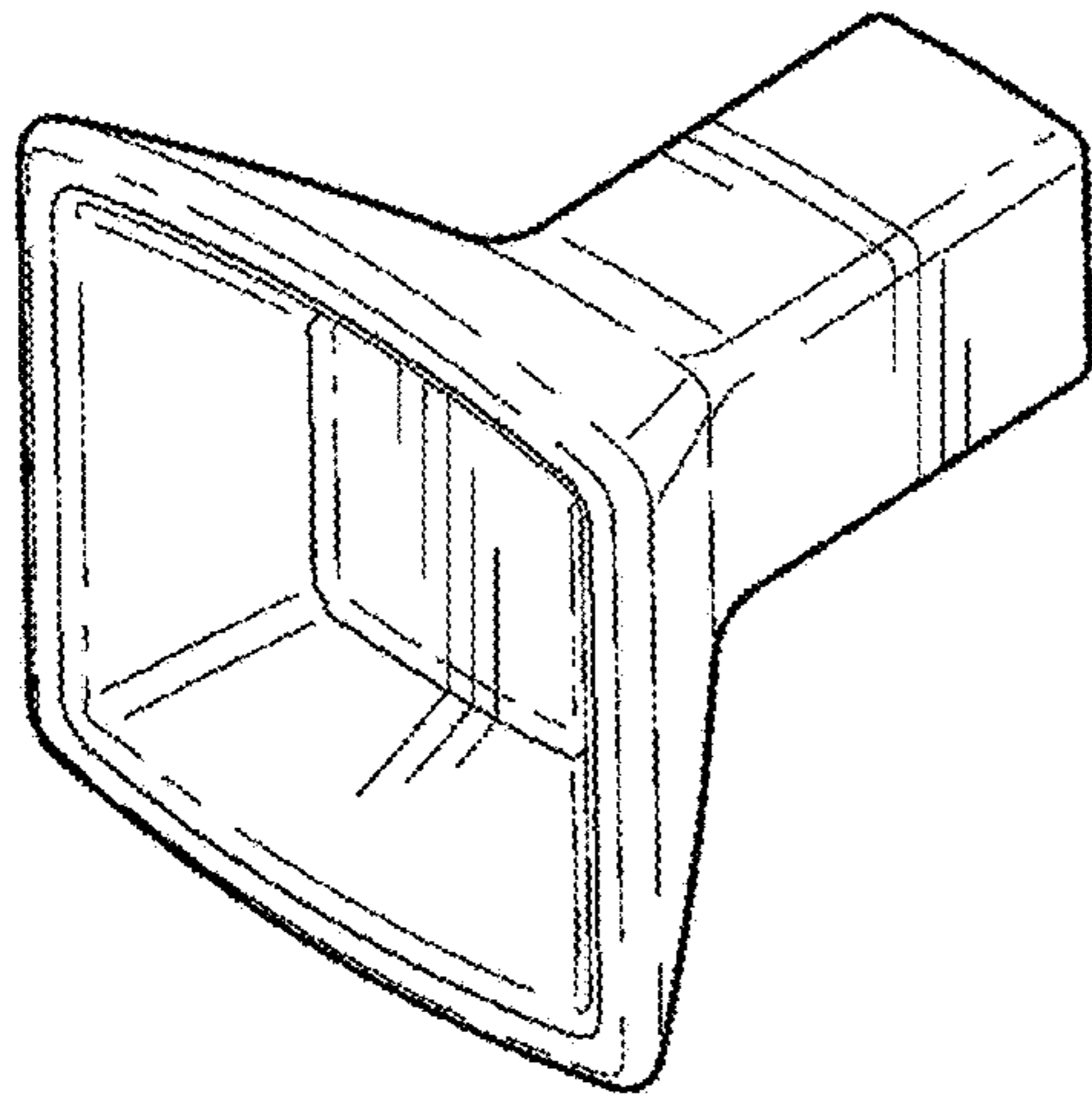


Fig-1

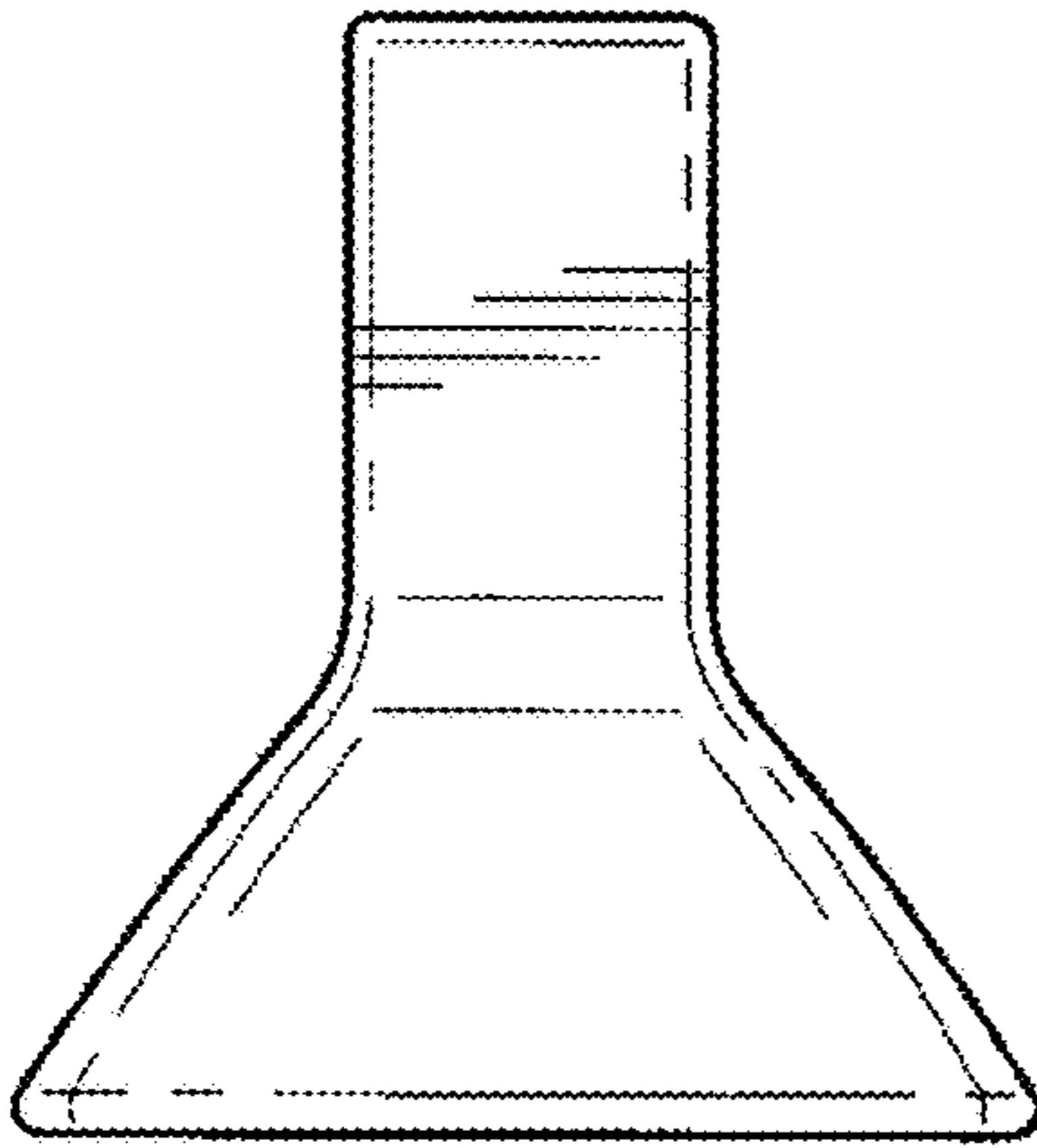


Fig-2

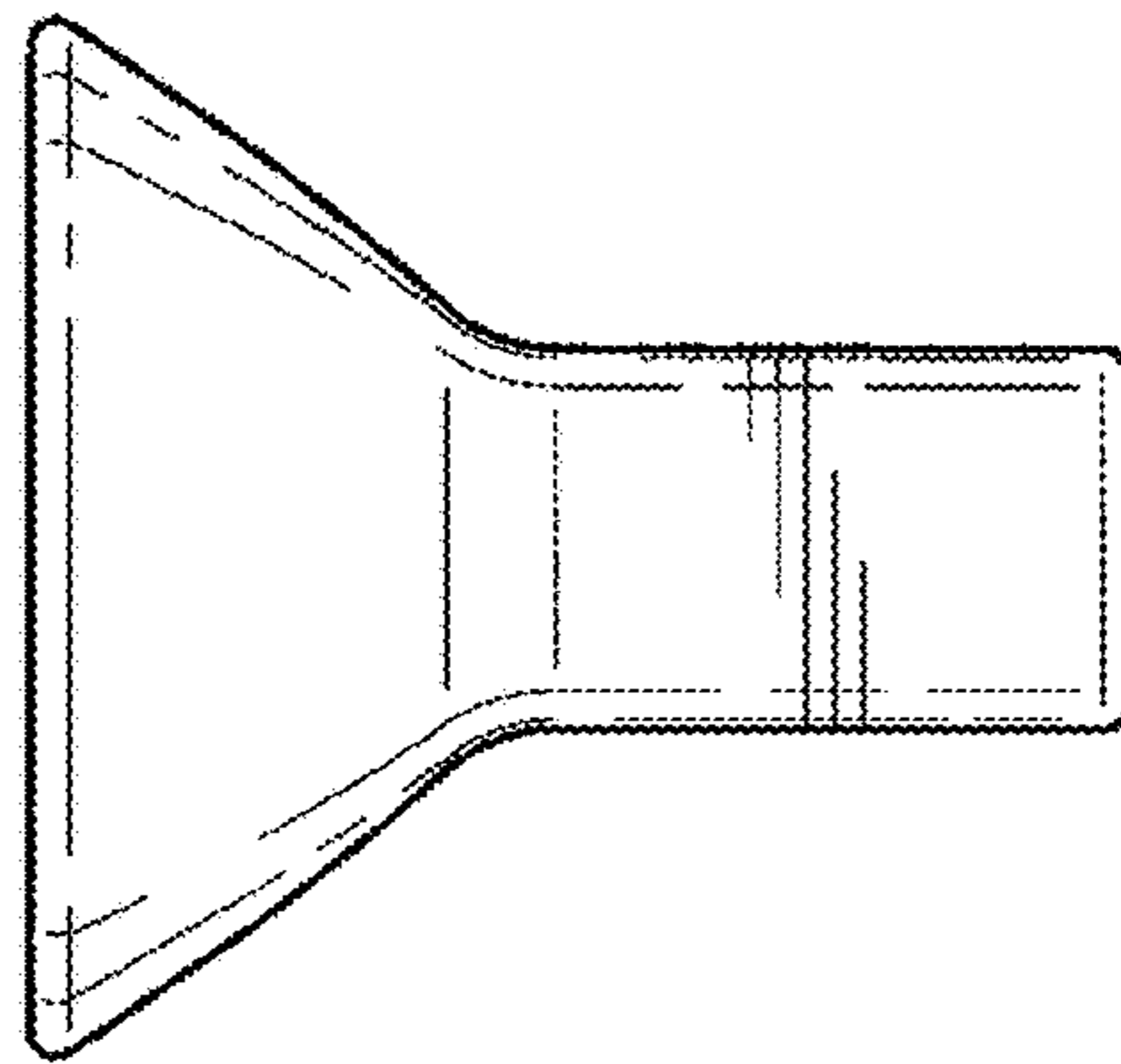


Fig-3

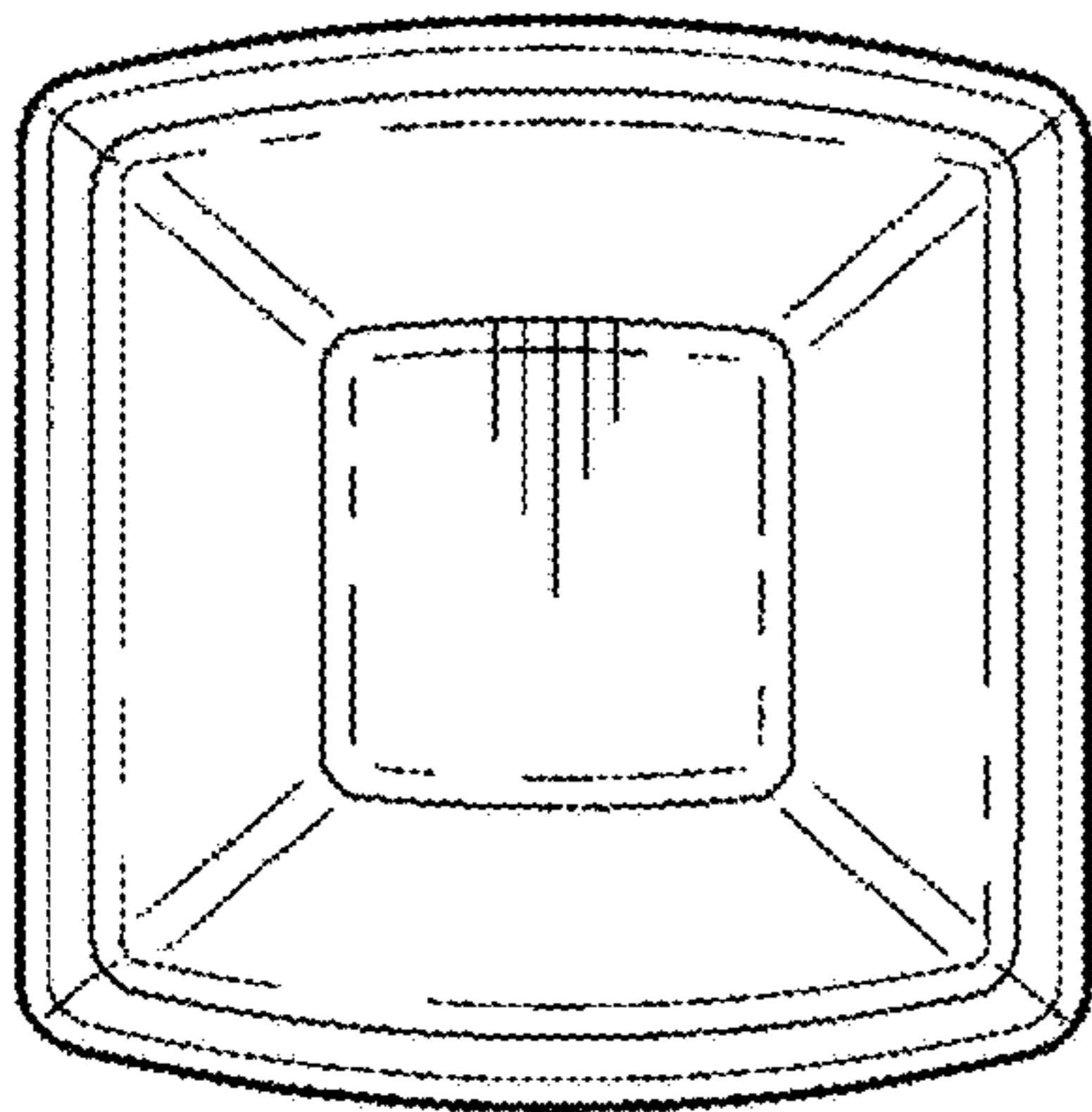


Fig-4

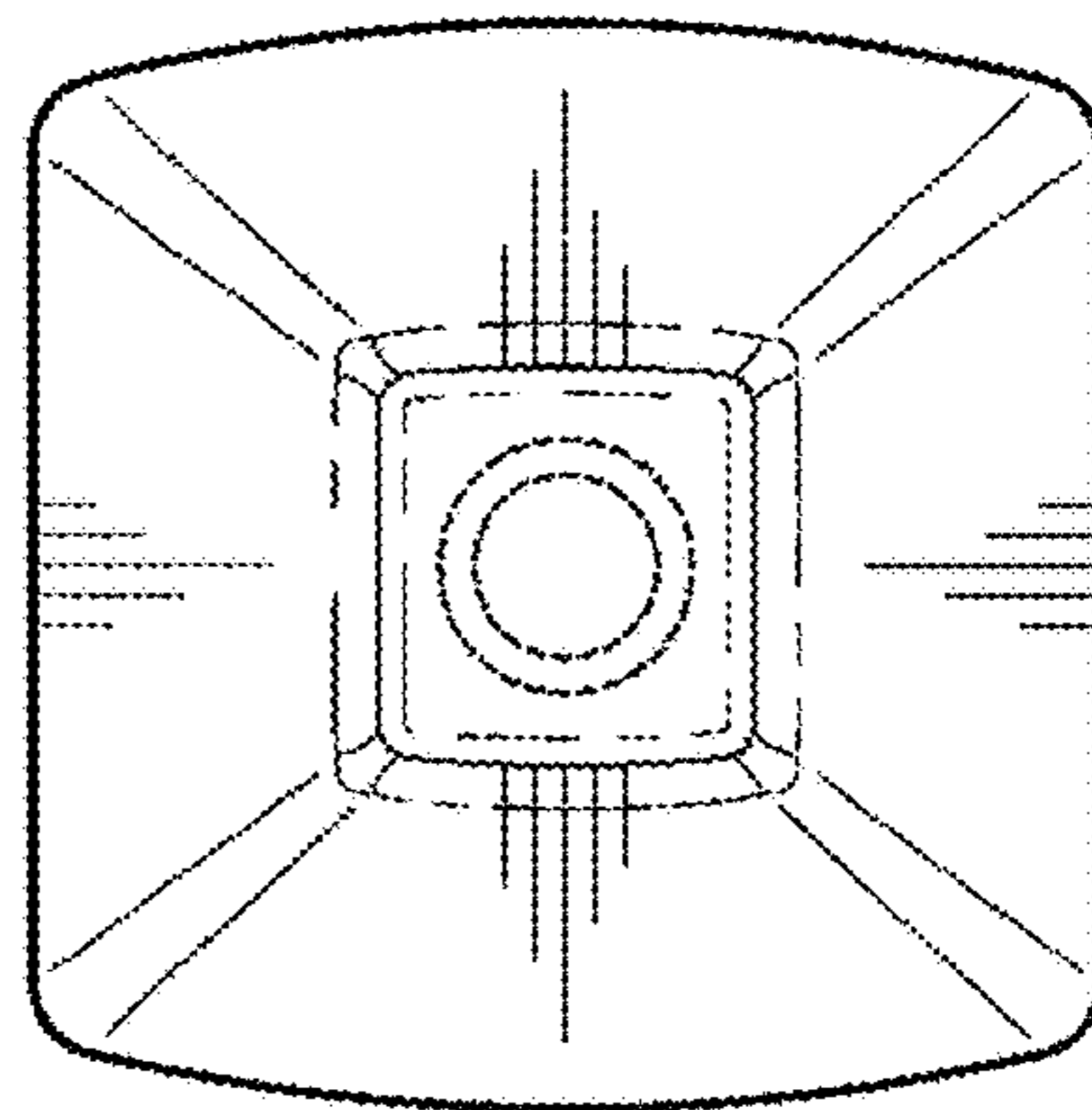


Fig-5