



US00D776510S

(12) **United States Design Patent** (10) **Patent No.:** **US D776,510 S**  
**Settu et al.** (45) **Date of Patent:** **\*\* Jan. 17, 2017**

(54) **HVAC CABINET HANDLE**

85/18;E05B 85/12; E05B 85/10; E05B 7/00; E05B 1/0053; E05B 77/265

(71) Applicant: **Lennox Industries Inc.**, Richardson, TX (US)

See application file for complete search history.

(72) Inventors: **Vinoth Kumar Settu**, Irving, TX (US); **Rajesh Munusamy Shanmugam**, Irving, TX (US)

(56) **References Cited**

U.S. PATENT DOCUMENTS

(73) Assignee: **Lennox Industries Inc.**, Richardson, TX (US)

2,783,074	A *	2/1957	Miltner .....	E05B 13/005 292/336.3
D361,488	S *	8/1995	Carsello .....	D8/308
D366,519	S *	1/1996	Lobermeier .....	D23/252
6,174,005	B1 *	1/2001	Norton .....	E05C 1/16 292/165
D444,694	S *	7/2001	Alvarado .....	D8/301
D492,571	S *	7/2004	Linares .....	D8/308
D511,671	S *	11/2005	Gorkovenko .....	D8/308
D521,354	S *	5/2006	Gilbert .....	D8/308
D537,702	S *	3/2007	Roberts, III .....	D8/308
D566,517	S *	4/2008	Lin .....	D8/308
D587,091	S *	2/2009	Chen .....	D8/308
D691,449	S *	10/2013	Weathersby .....	D8/301
D691,450	S *	10/2013	Weathersby .....	D8/301

(\*\*) Term: **15 Years**

(21) Appl. No.: **29/533,541**

(22) Filed: **Jul. 17, 2015**

(51) **LOC (10) Cl.** ..... **08-06**

(52) **U.S. Cl.**  
USPC ..... **D8/301**

(58) **Field of Classification Search**

USPC ..... D8/300-302, 307-309, 310, 311, D8/DIG. 10; D23/254; 292/336.3, 347; 74/523, 543; 70/192, 201, 206, 207; 16/110.1, 412, 416, 430, DIG. 30

CPC ..... Y10T 16/44; Y10T 74/20612; Y10T 74/20732; Y10T 16/458; Y10T 16/498; Y10T 16/469; Y10T 16/476; Y10T 74/20744; Y10T 74/20864; Y10T 16/4628; Y10T 74/20642; Y10T 16/473; Y10T 74/20762; Y10T 74/2042; Y10T 74/20828; Y10T 16/459; Y10T 16/4713; Y10T 74/2014; Y10T 16/50; Y10T 74/20438; Y10T 74/20582; Y10T 74/20738; Y10T 16/48; Y10T 74/20618; Y10T 74/20684; Y10T 74/20624; Y10T 74/20468; Y10T 16/61; Y10T 16/4719; Y10T 16/86; Y10S 16/30; Y10S 292/31; Y10S 292/53; Y10S 16/12; Y10S 292/23; Y10S 292/27; Y10S 292/30; Y10S 292/63; E05B 85/16; E05B 1/0015; E05B 77/06; E05B 79/06; E05B

(Continued)

*Primary Examiner* — Derrick Holland

*Assistant Examiner* — Lauren Calve

(74) *Attorney, Agent, or Firm* — Hubbard Johnston, PLLC

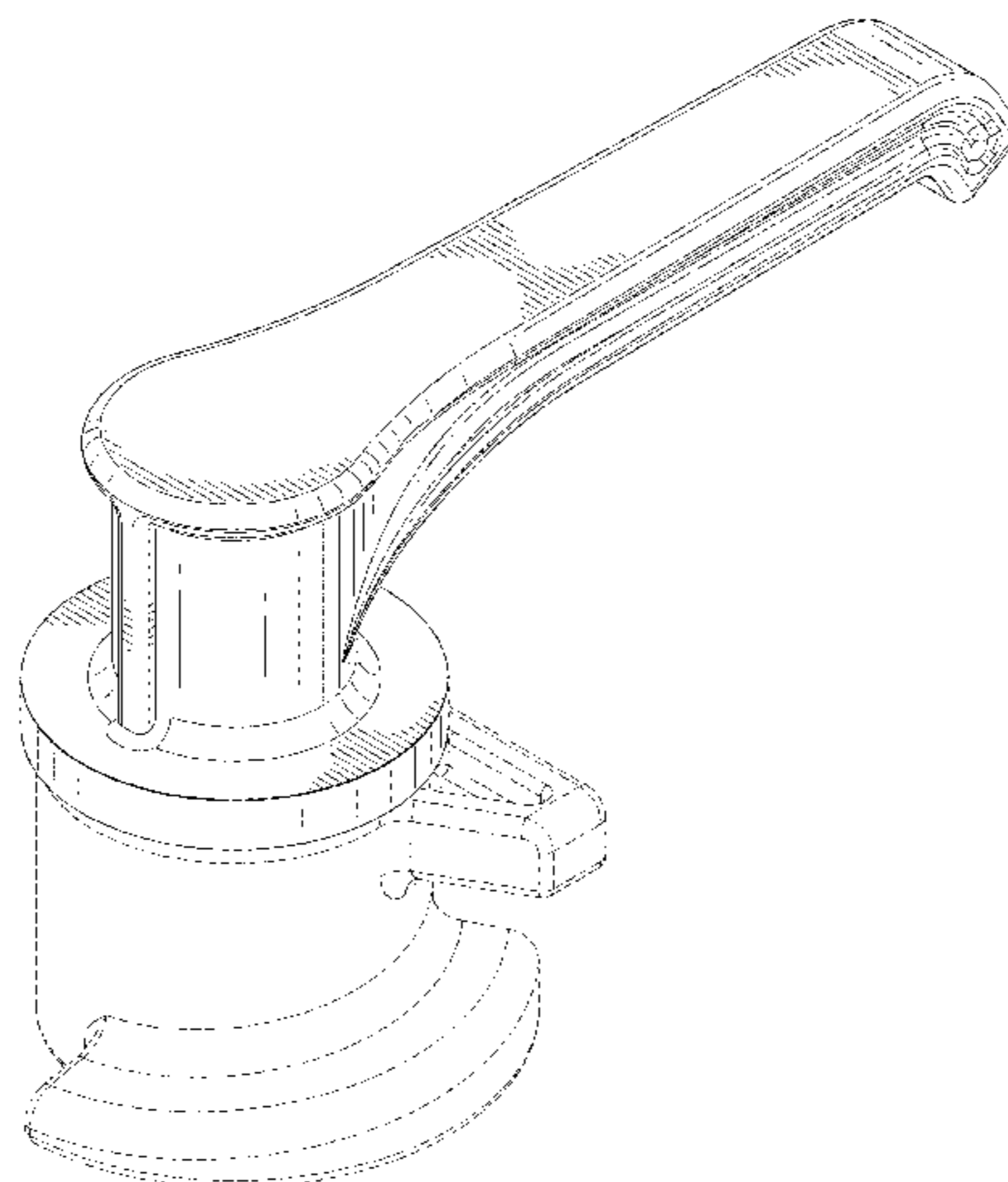
(57) **CLAIM**

The ornamental design for an HVAC cabinet handle, as shown and described.

**DESCRIPTION**

FIG. 1 is a perspective view of an HVAC cabinet handle of the present invention;  
 FIG. 2 is a rear elevational view thereof;  
 FIG. 3 is a front elevational view thereof;  
 FIG. 4 is a left elevational view thereof;  
 FIG. 5 is a right elevational view thereof;  
 FIG. 6 is a top plan view thereof; and,  
 FIG. 7 is a bottom plan view thereof.  
 The broken lines shown represent unclaimed subject matter and form no part of the claimed design.

**1 Claim, 6 Drawing Sheets**



(56)

**References Cited**

U.S. PATENT DOCUMENTS

D691,451 S \* 10/2013 Weathersby ..... D8/302  
D700,035 S \* 2/2014 deGoutiere ..... D8/308  
2004/0000795 A1\* 1/2004 Shen ..... E05B 55/005  
292/336.3  
2008/0209815 A1\* 9/2008 Chiu ..... B63B 19/24  
49/460  
2010/0013247 A1\* 1/2010 Kuchas ..... E05B 5/00  
292/336.3

\* cited by examiner

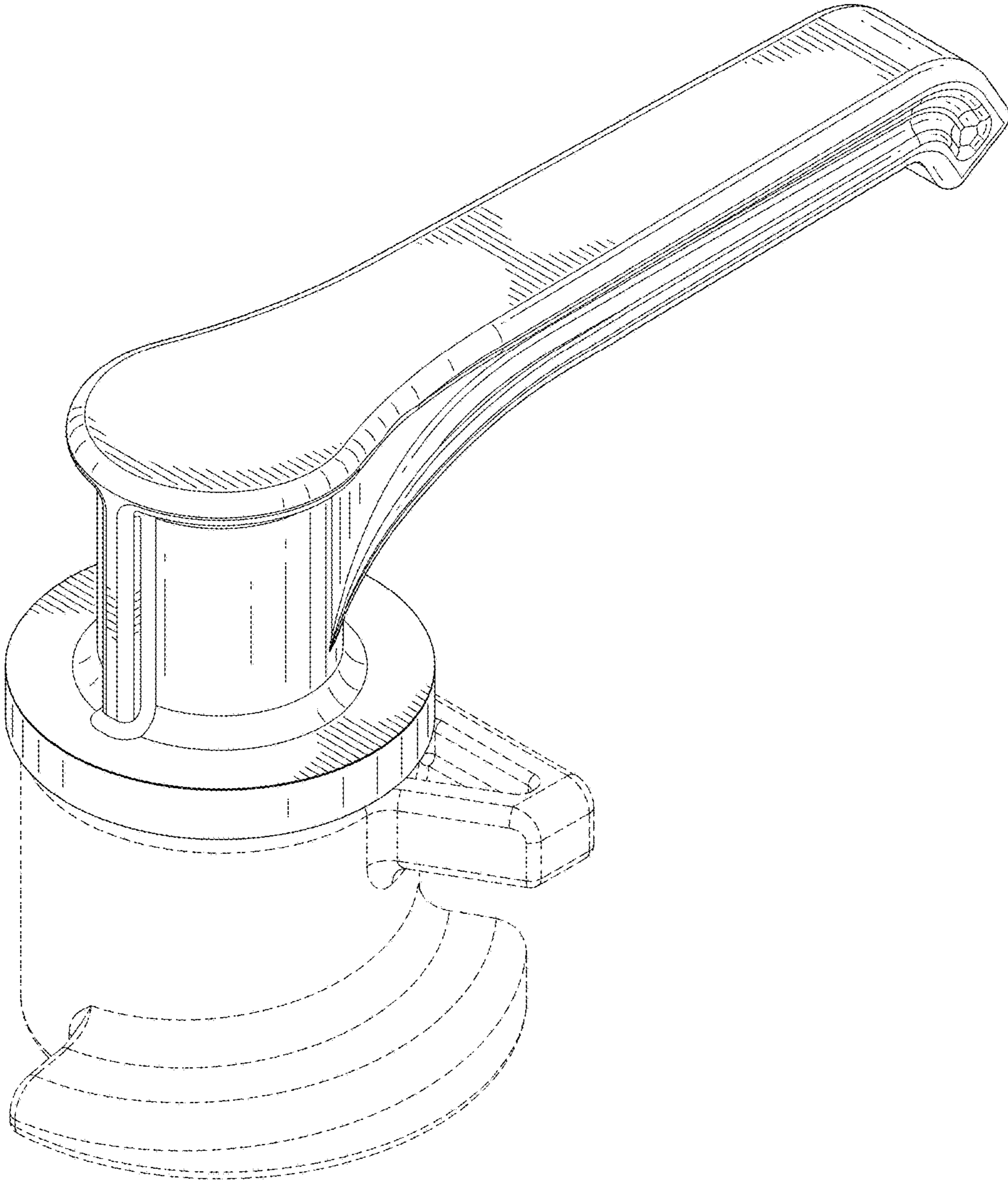


FIG. 1

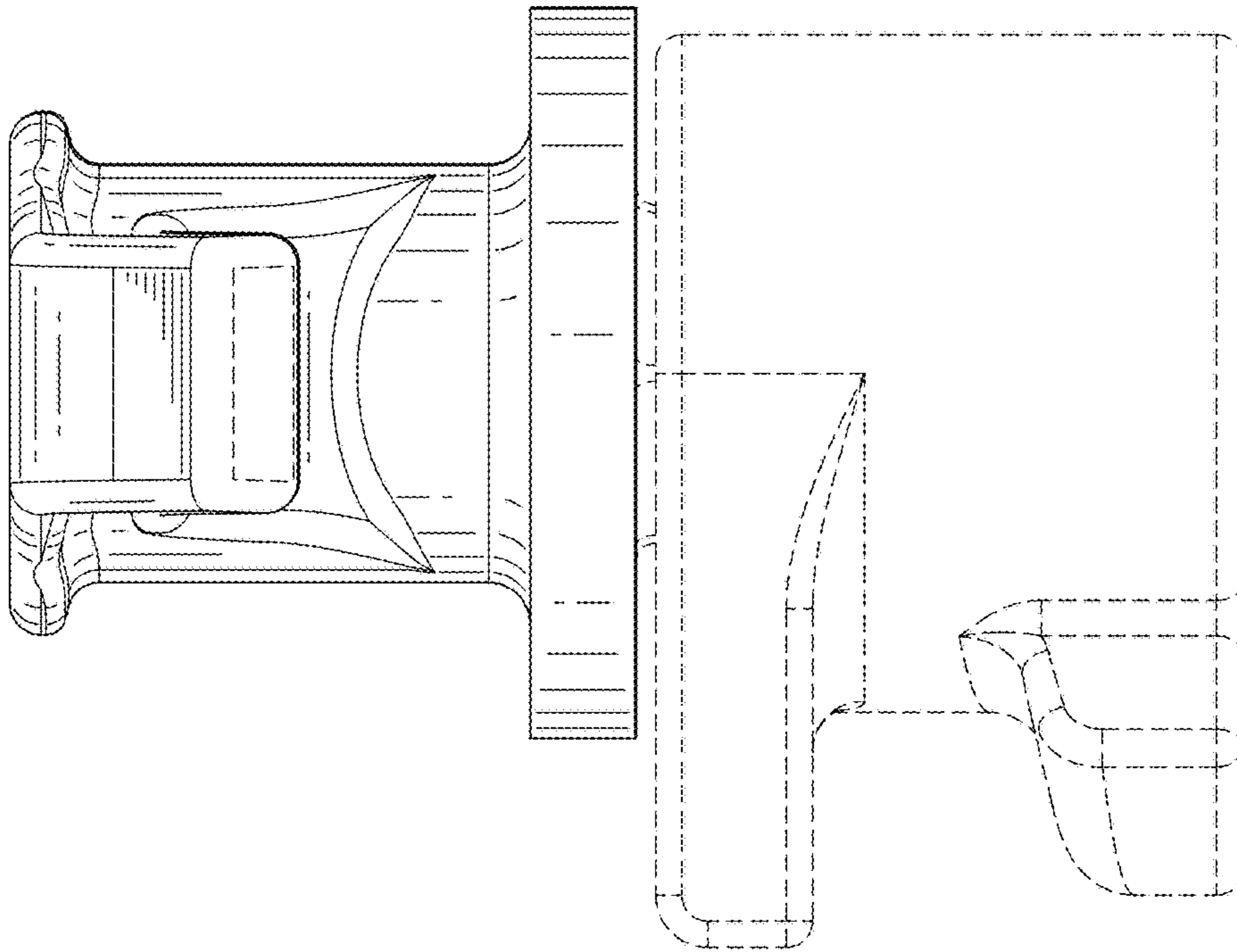


FIG. 2

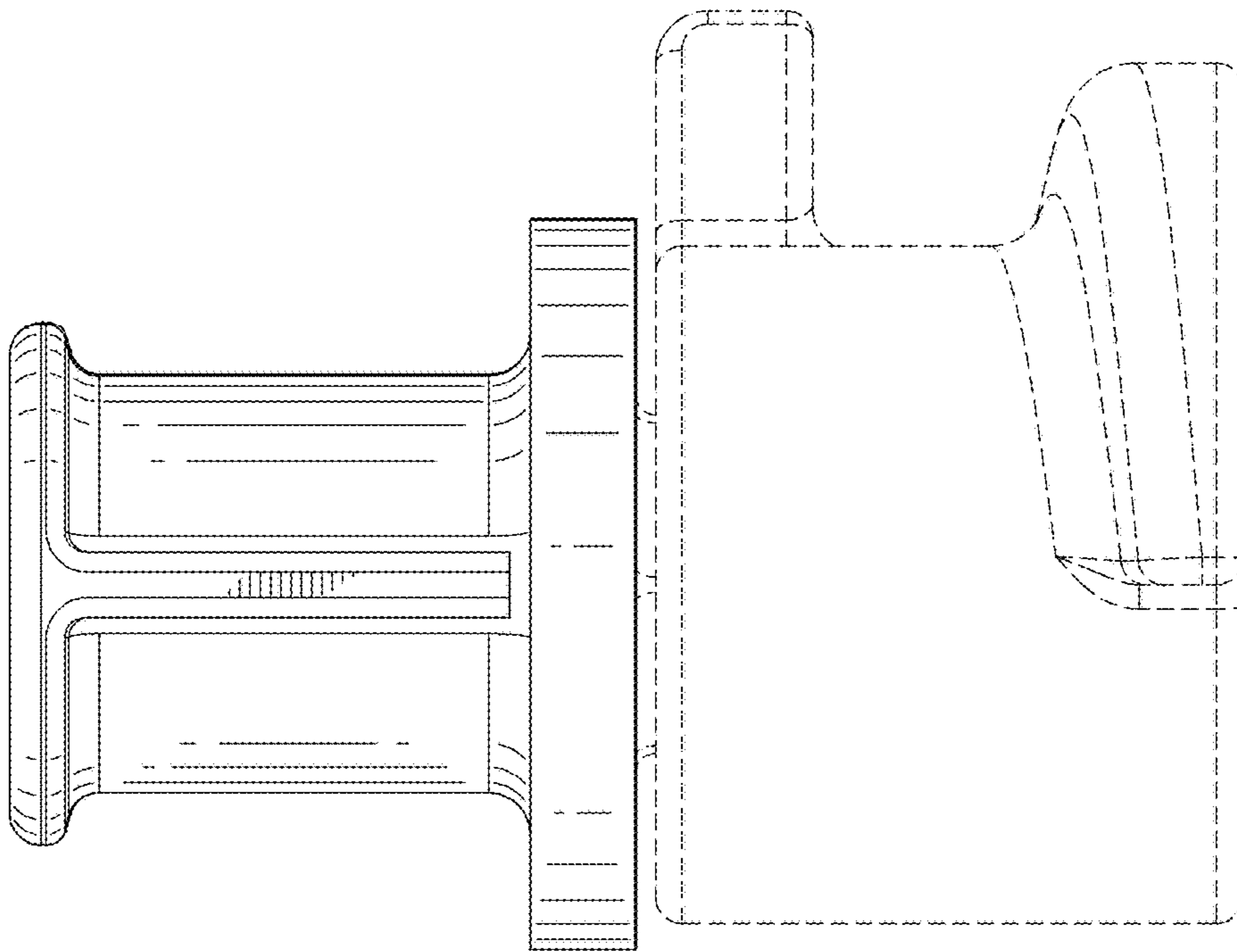


FIG. 3

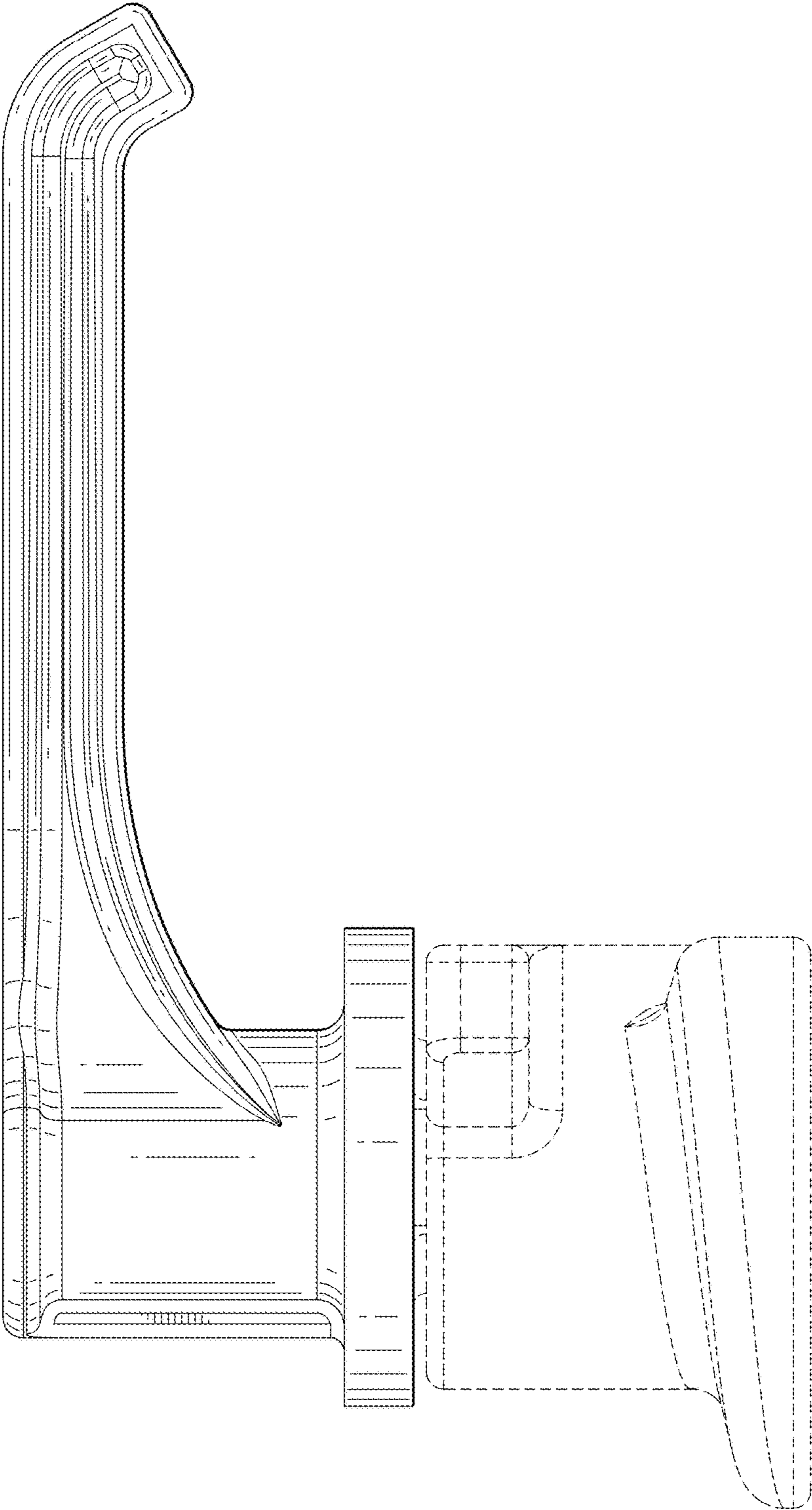


FIG. 4

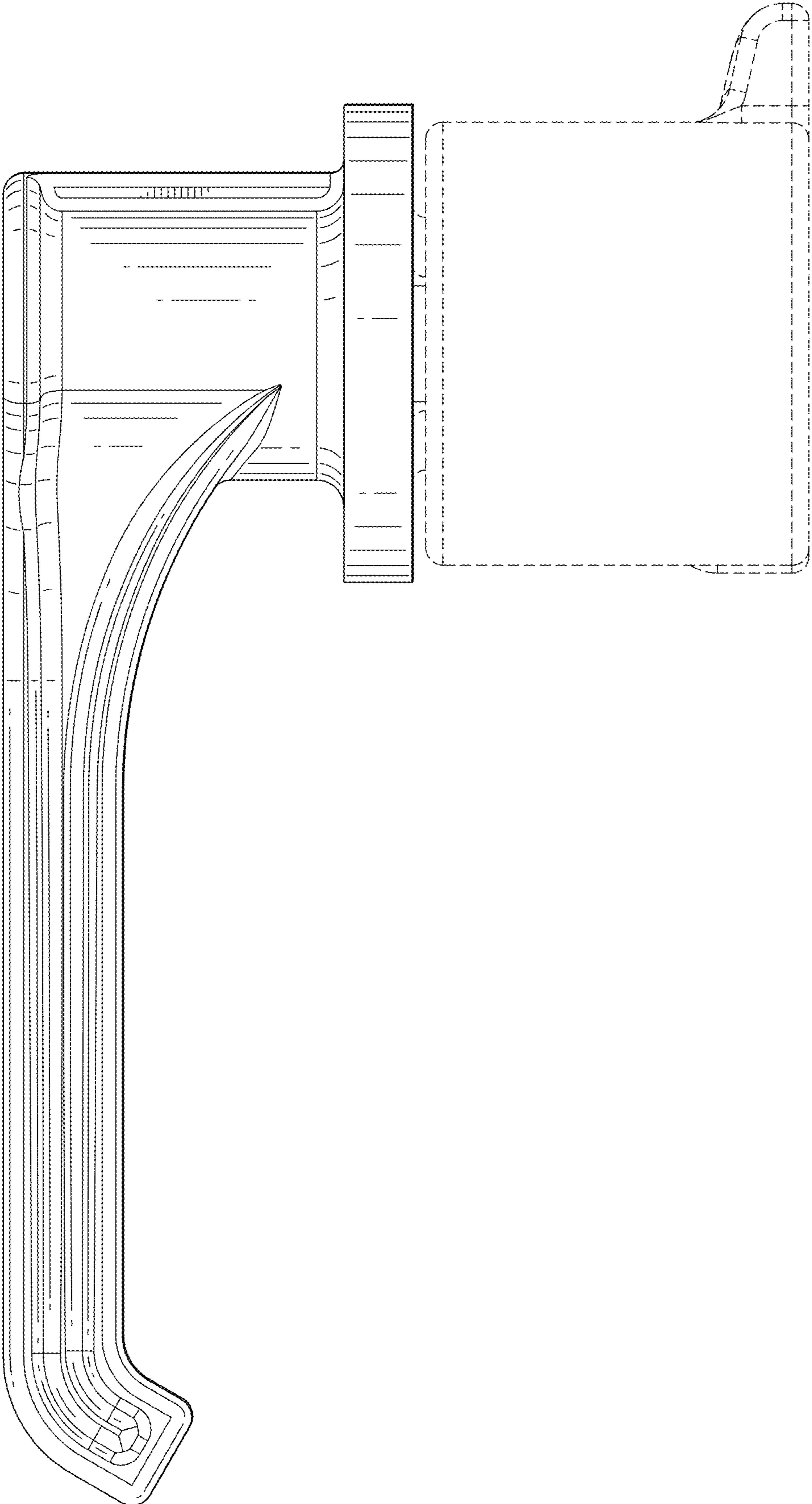


FIG. 5

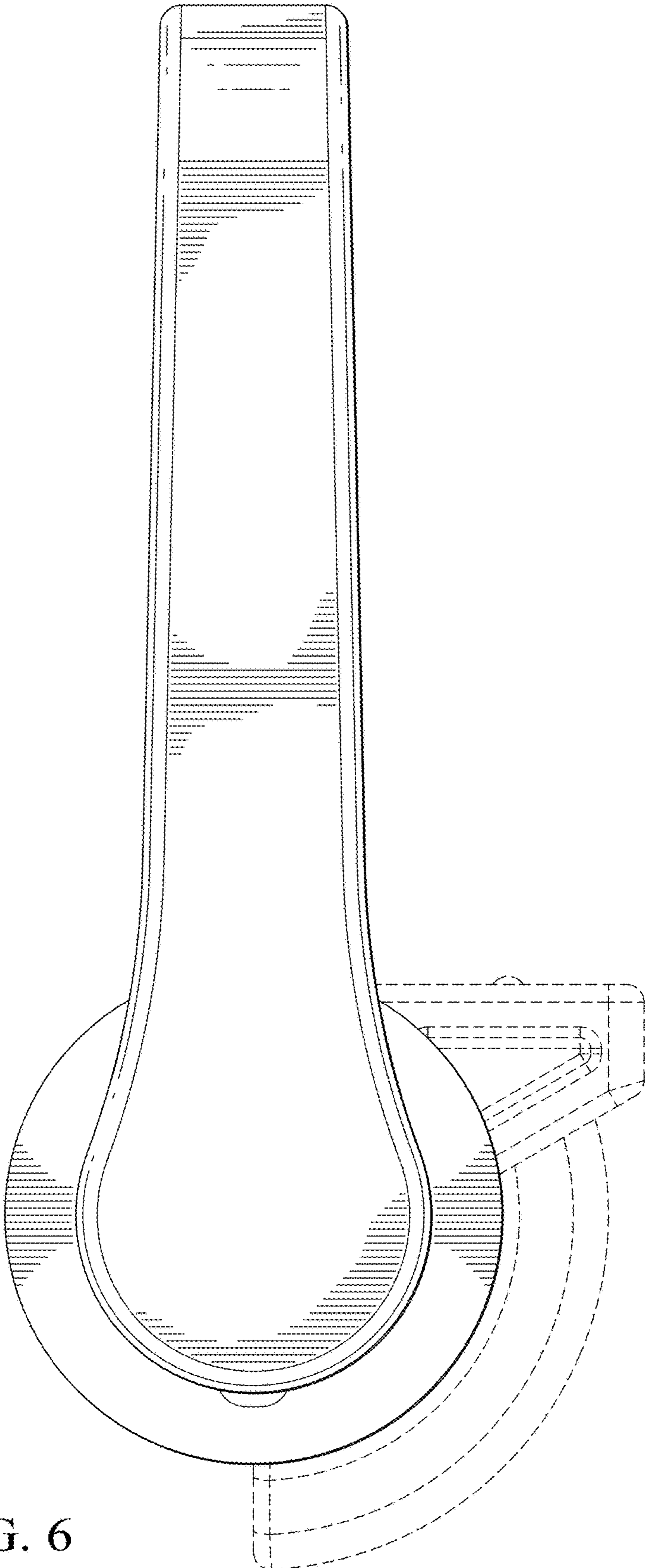


FIG. 6

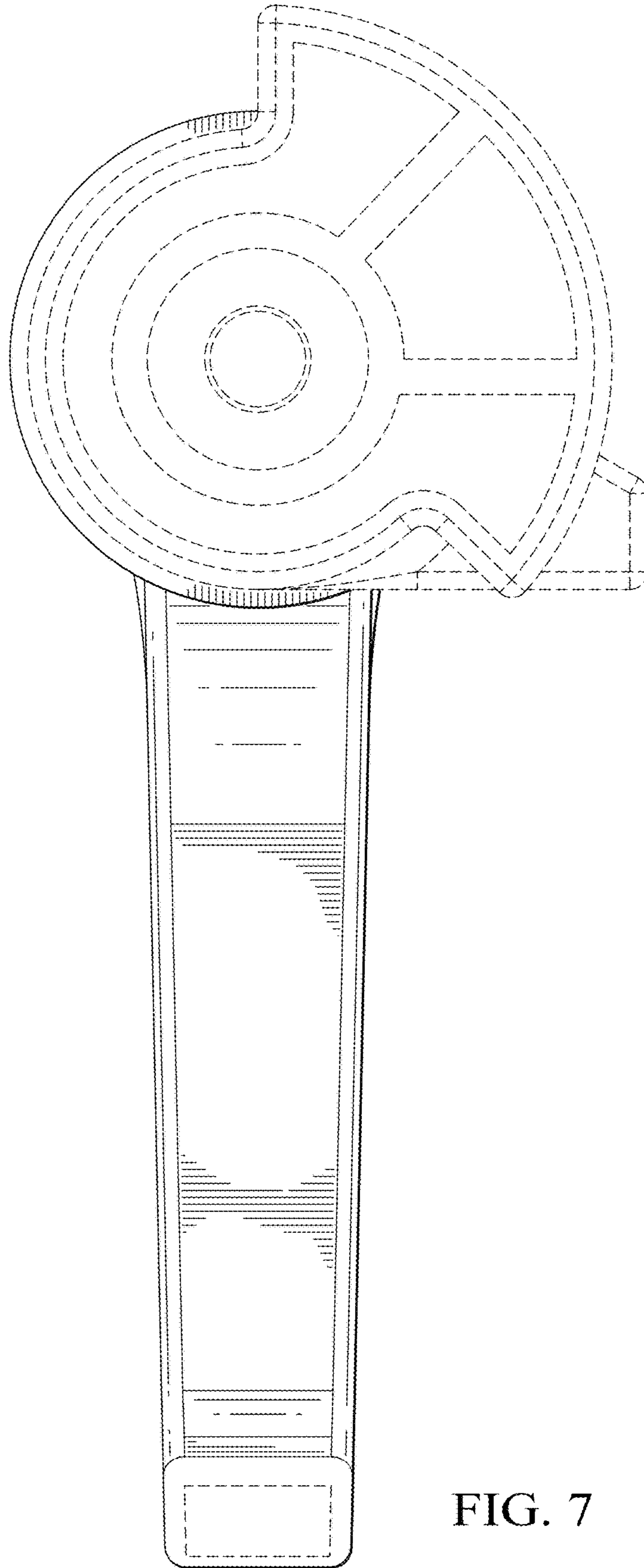


FIG. 7