



US00D776509S

(12) **United States Design Patent** (10) **Patent No.:** **US D776,509 S**
Fagan et al. (45) **Date of Patent:** **** Jan. 17, 2017**

- (54) **SURFACE SURROUNDING A KNOB**
- (71) Applicant: **BOMBARDIER INC.**, Dorval (CA)
- (72) Inventors: **Tim Michael Fagan**, Beaconsfield (CA); **Christian Sean Johnson**, Vaudreuil-Dorion (CA); **Seung Joon Bang**, Laval (CA); **Brian Conner**, Seattle, WA (US); **Sebastian Petry**, Seattle, WA (US); **Jeff Bartenbach**, Seattle, WA (US)
- (73) Assignee: **BOMBARDIER INC.**, Dorval, Quebec (CA)
- (**) Term: **14 Years**
- (21) Appl. No.: **29/508,181**
- (22) Filed: **Nov. 4, 2014**

Related U.S. Application Data

- (63) Continuation of application No. 29/444,588, filed on Jan. 31, 2013, now Pat. No. Des. 722,259.
- (51) **LOC (10) Cl.** **08-06**
- (52) **U.S. Cl.**
USPC **D8/300; D8/310**
- (58) **Field of Classification Search**
USPC D8/107, 300, 301, 307, 310, 311, 312; D10/102; D23/250, 421; 74/553, 554, 74/555, 556, 558, 543; D7/393, 394, 396, D7/543, 545, 547, 548; 16/110.1, 422, 16/426, 430, 443; D13/171; 200/314, 341
CPC Y10T 292/57; Y10T 292/82; Y10T 16/469; Y10T 16/44; Y10T 16/476; Y10T 74/2084; Y10T 292/85; Y10T 74/2087; Y10T 16/4713; Y10T 16/506; Y10T 74/20876; Y10T 74/20612; Y10T 70/5765; Y10T 16/459; Y10T 74/2066; Y10T 16/487; Y10T 74/20822
See application file for complete search history.

(56) **References Cited**

U.S. PATENT DOCUMENTS

757,744 A	4/1904	Homich, Jr.	
1,513,925 A	11/1924	Murdock	
2,633,758 A	4/1953	Hobson et al.	
3,070,830 A *	1/1963	Schirmer	A47B 95/02 16/416
3,118,298 A	1/1964	Holmes	
3,305,660 A	2/1967	Sohns et al.	
3,428,349 A	2/1969	Shelton	
3,524,215 A	8/1970	Kurtz	
3,715,781 A	2/1973	Salvatori	
3,737,184 A	6/1973	Swartz	
3,767,880 A	10/1973	Austin	
3,975,041 A	8/1976	Edison	
4,404,445 A	9/1983	Baran et al.	
4,590,342 A	5/1986	Schlegel	

(Continued)

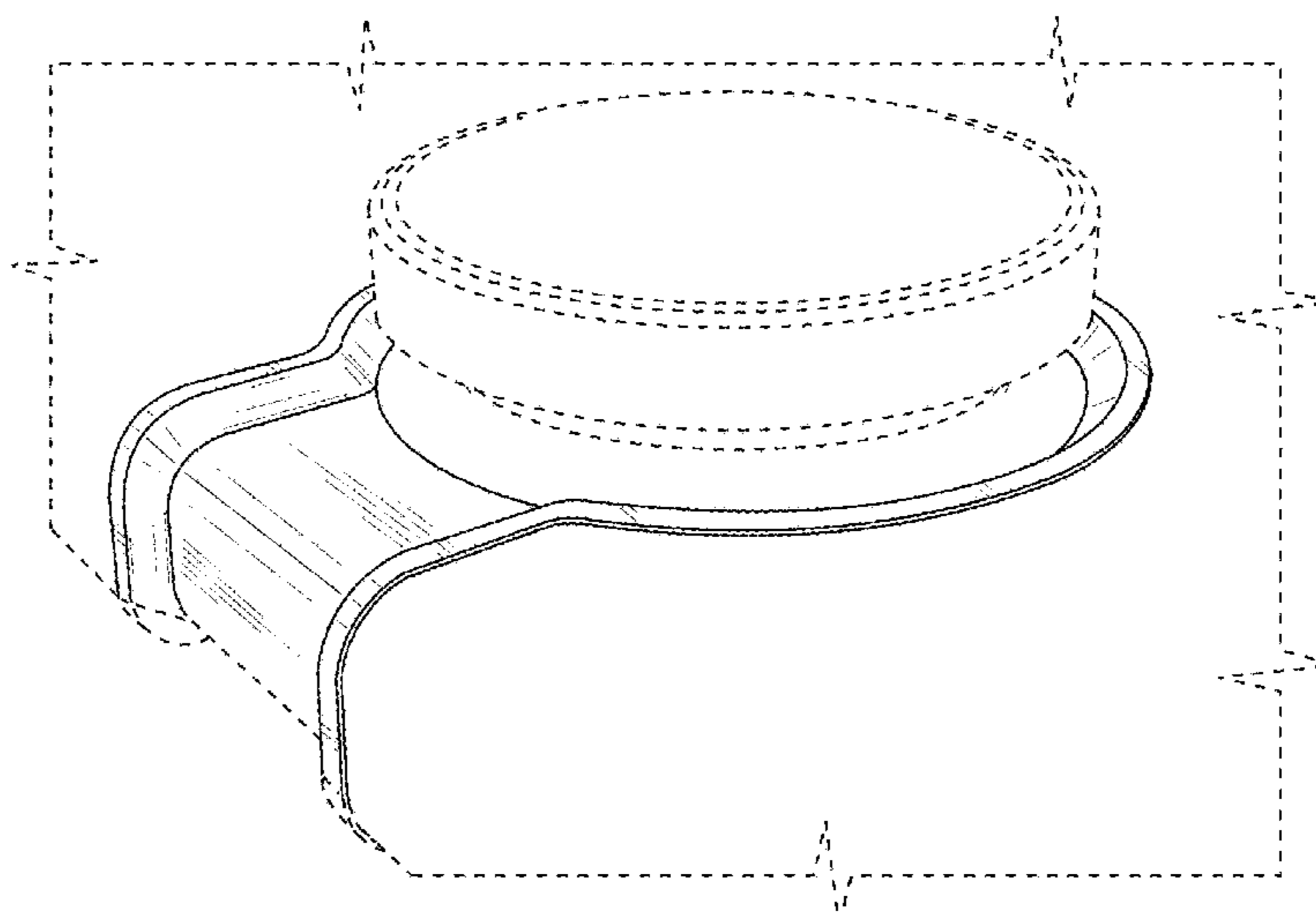
Primary Examiner — Derrick Holland
Assistant Examiner — Lauren Calve
 (74) *Attorney, Agent, or Firm* — Thomas & Karceski, PC

(57) **CLAIM**
 The ornamental design for a surface surrounding a knob, as shown and described.

DESCRIPTION

FIG. 1 is a perspective view of a surface surrounding a knob according to the design;
 FIG. 2 is a top view thereof;
 FIG. 3 is a front view thereof;
 FIG. 4 is a rear view thereof
 FIG. 5 is a right side view thereof, the left side view being a mirror image thereof; and,
 FIG. 6 is a perspective view thereof, showing the surface surrounding a knob in a retracted position.
 The broken lines shown represent unclaimed subject matter and form no part of the claimed design.
 The bottom view not shown forms no part of the claimed design.

1 Claim, 6 Drawing Sheets



(56)

References Cited

U.S. PATENT DOCUMENTS

4,608,882 A 9/1986 Howie, Jr.
 D305,022 S 12/1989 Hallgren et al.
 D306,960 S 4/1990 Dricken et al.
 D312,769 S 12/1990 Bisbing
 5,349,835 A 9/1994 Liao
 5,435,159 A 7/1995 Ramsauer
 D362,841 S 10/1995 Roza
 D369,288 S 4/1996 Jensen
 D377,337 S 1/1997 Schaeffer
 5,992,498 A 11/1999 Boston
 D433,309 S 11/2000 Johansson et al.
 D437,835 S 2/2001 Decosse
 D439,496 S 3/2001 Stevens et al.
 6,460,902 B1 10/2002 Kyle
 D467,489 S 12/2002 Rubinson
 D469,411 S 1/2003 Decosse
 D481,687 S 11/2003 Moriya et al.

D511,290 S 11/2005 Coudurier
 D527,611 S 9/2006 Sato
 D546,661 S 7/2007 Jackson, Jr.
 D563,757 S * 3/2008 Cruver, IV D8/310
 D564,330 S 3/2008 Beukema et al.
 D578,373 S * 10/2008 Paige D8/300
 D581,249 S 11/2008 Wu et al.
 D591,139 S 4/2009 Gulley
 D597,632 S 8/2009 Obara et al.
 D646,143 S * 10/2011 Stuckey D8/321
 D696,068 S 12/2013 Baacke et al.
 D709,754 S 7/2014 Lylyk et al.
 D713,235 S 9/2014 Lee et al.
 D713,236 S 9/2014 Park
 D722,259 S 2/2015 Conner
 D725,612 S 3/2015 Schlegel et al.
 D743,506 S 11/2015 Spinelli et al.
 2008/0264329 A1 10/2008 Itoh et al.
 2014/0102245 A1 4/2014 Inoue

* cited by examiner

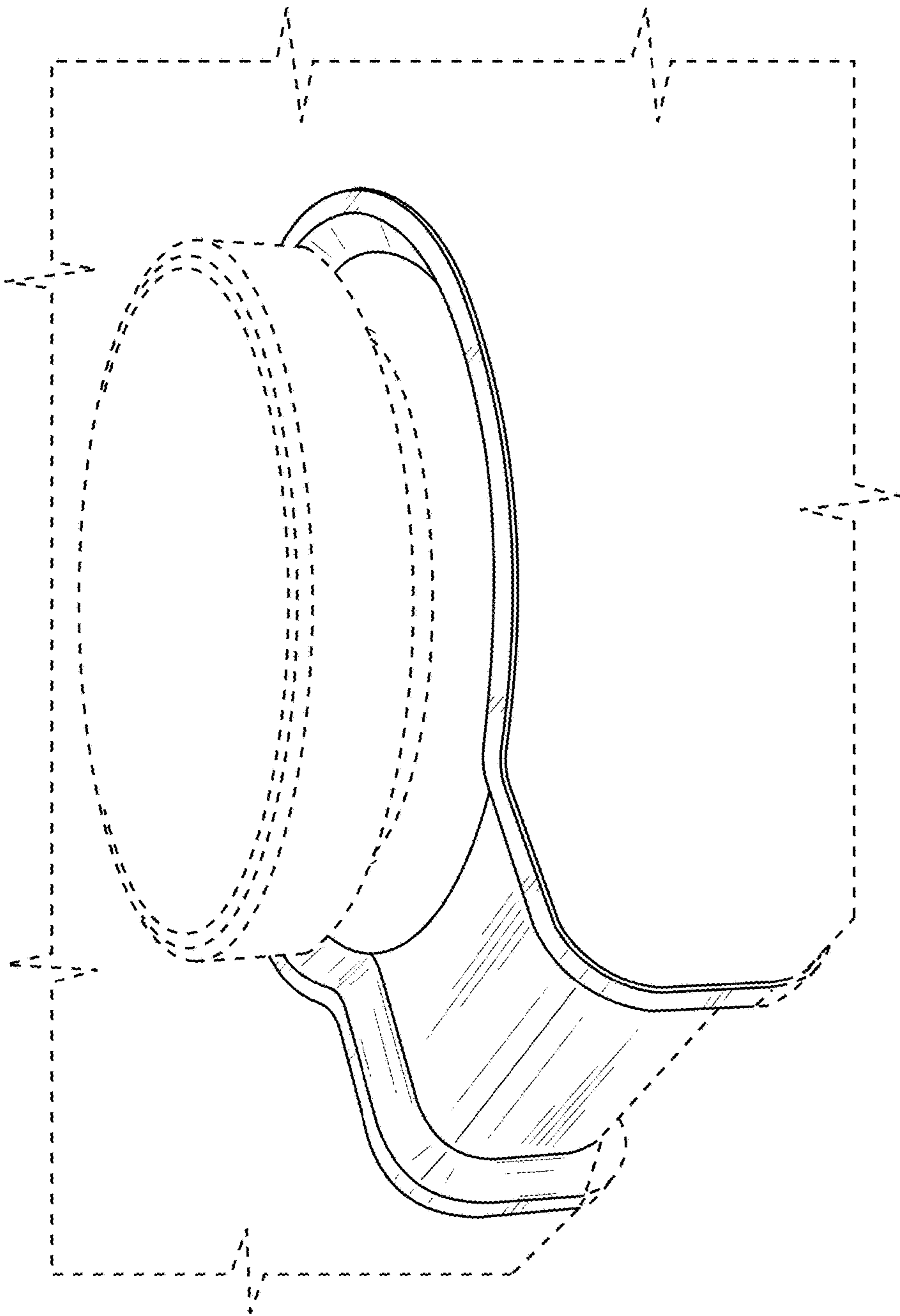


FIG. 1

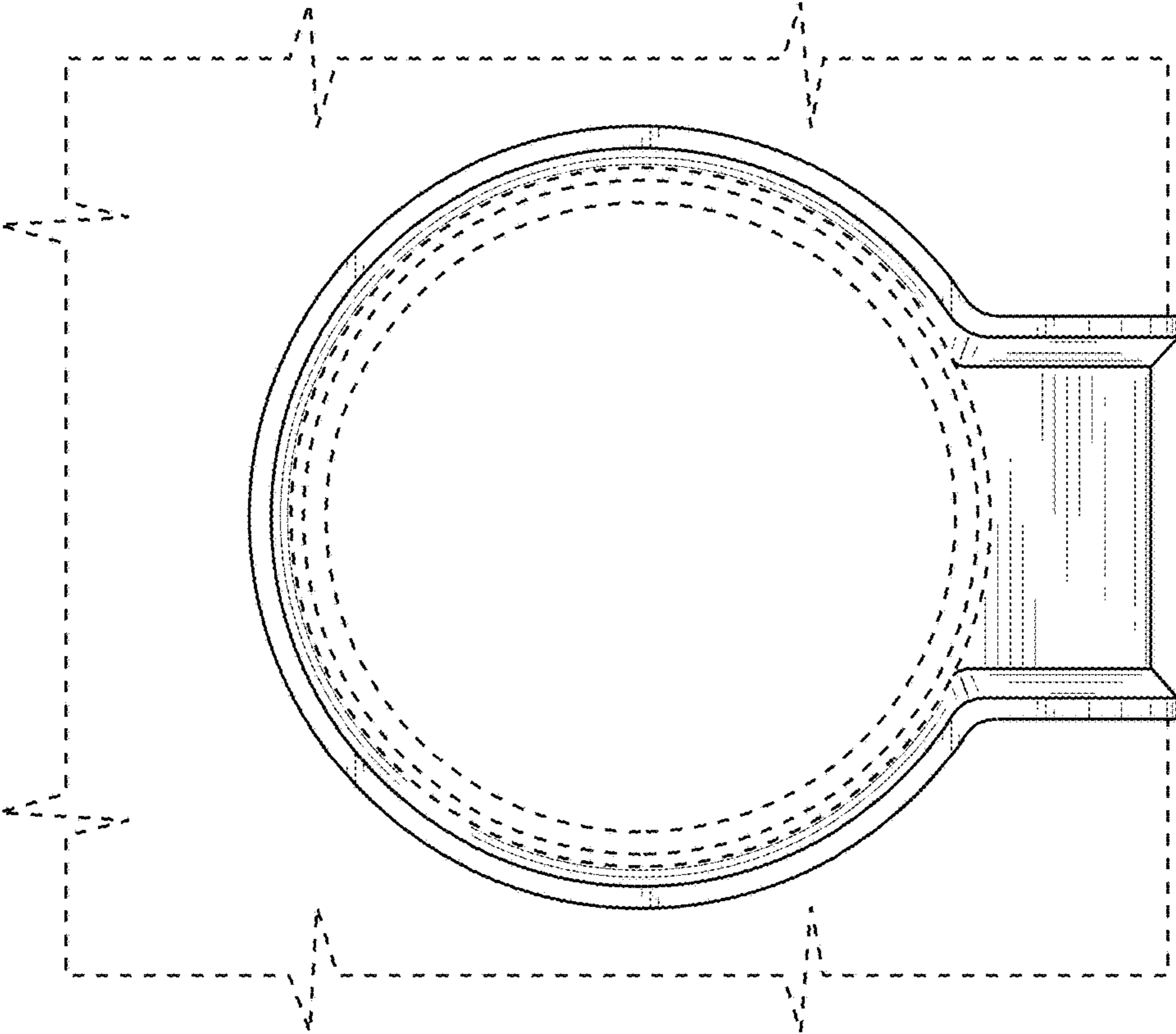


FIG. 2

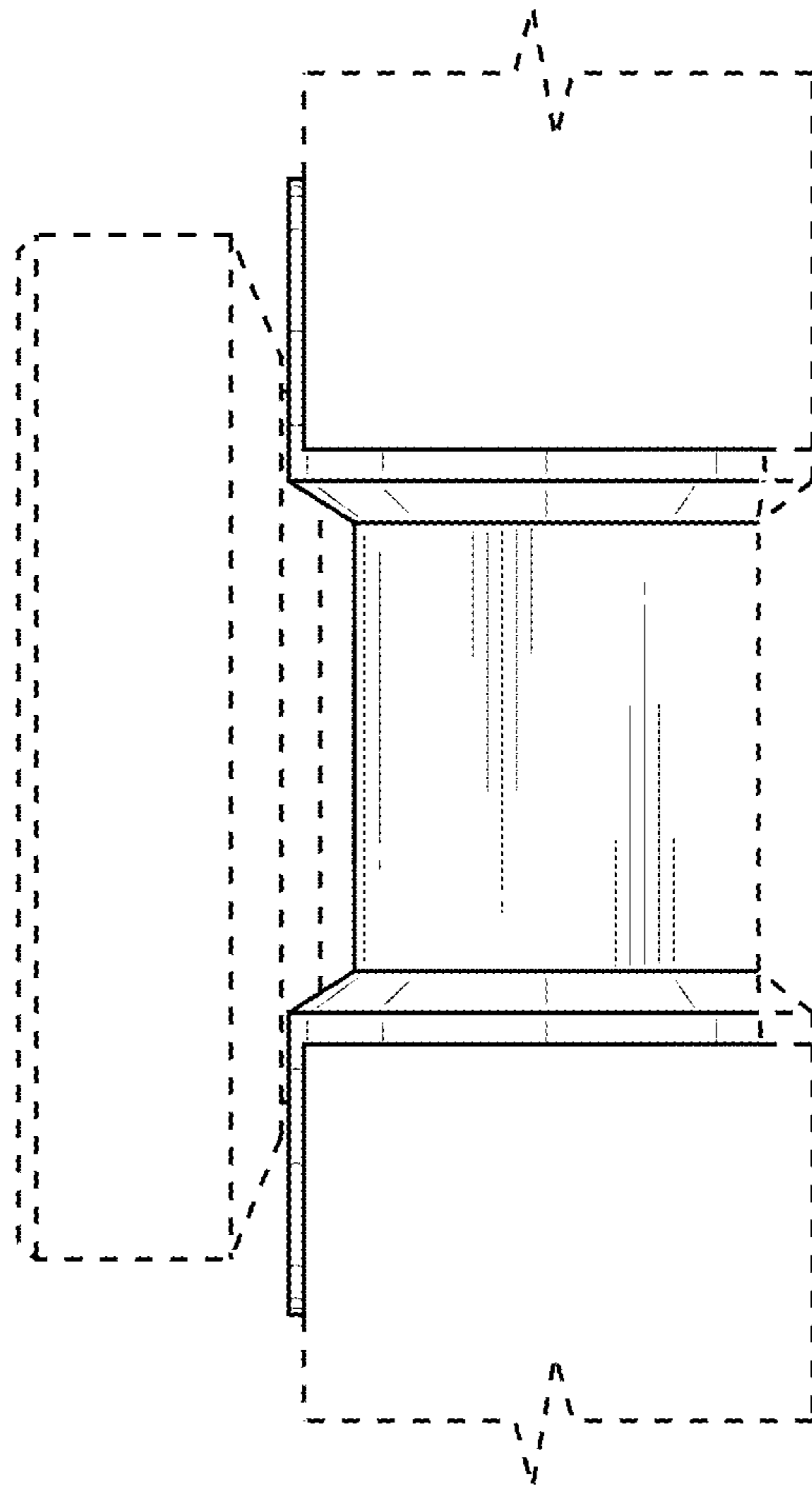


FIG. 3

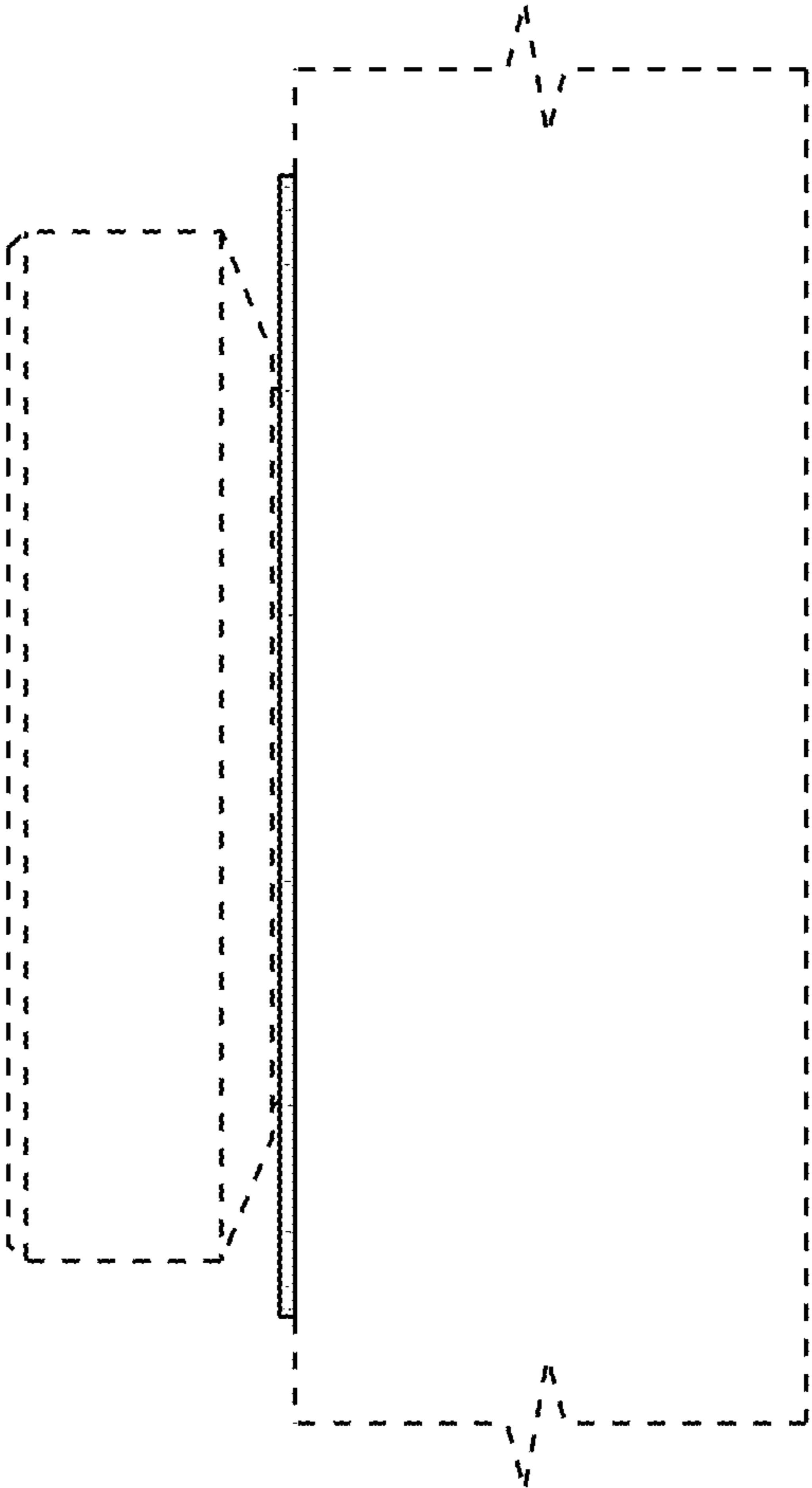


FIG. 4

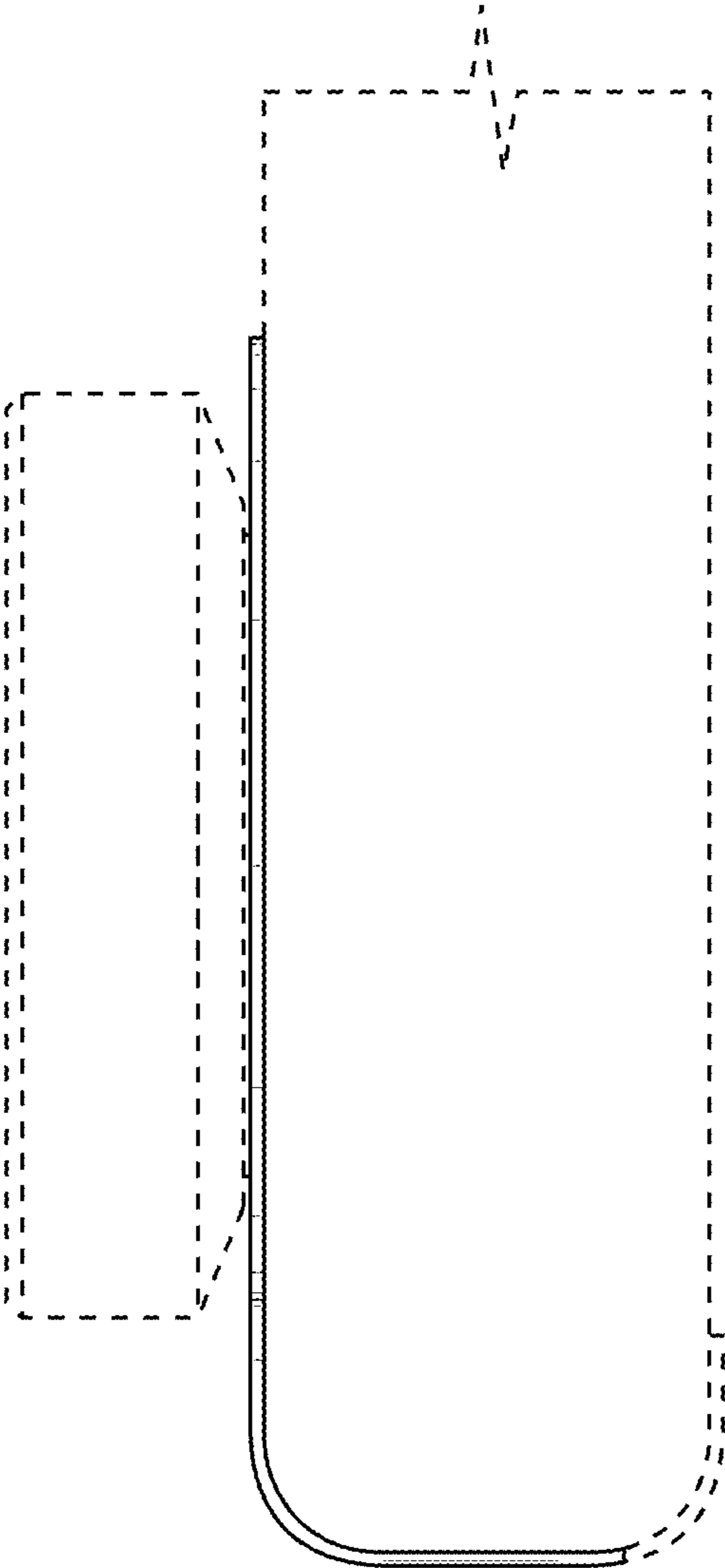


FIG. 5

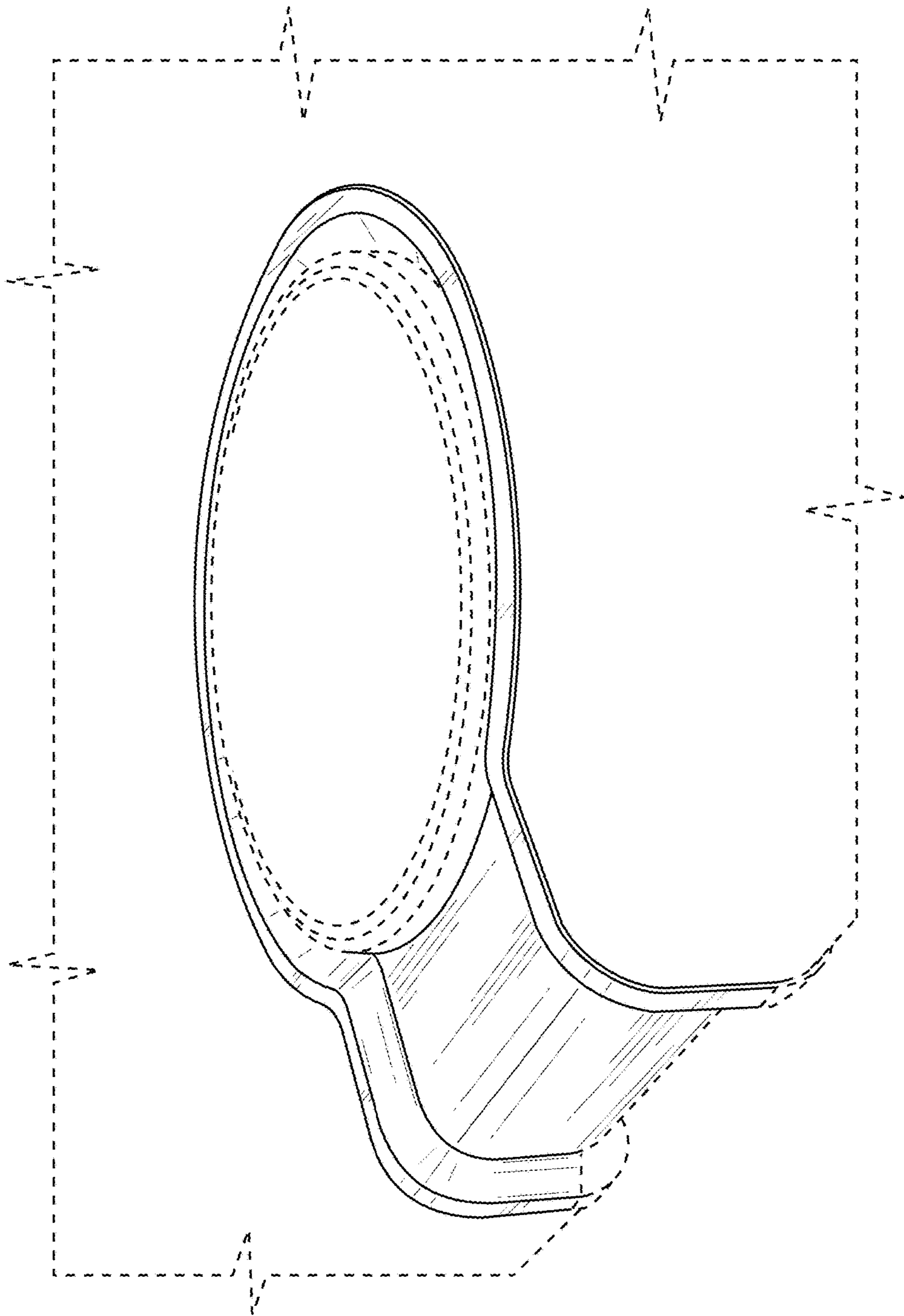


FIG. 6