



US00D776508S

(12) **United States Design Patent**  
**Yuhuan**

(10) **Patent No.:** **US D776,508 S**

(45) **Date of Patent:** **\*\* Jan. 17, 2017**

- (54) **KNIFE**
- (71) Applicant: **BATTENFELD TECHNOLOGIES, INC.**, Columbia, MO (US)
- (72) Inventor: **Caliber Li Yuhuan**, Pudong Shanghai (CN)
- (73) Assignee: **Battenfeld Technologies, Inc.**, Columbia, MO (US)
- (\*\*) Term: **15 Years**
- (21) Appl. No.: **29/531,439**
- (22) Filed: **Jun. 25, 2015**
- (51) **LOC (10) Cl.** ..... **08-03**
- (52) **U.S. Cl.**  
USPC ..... **D8/99**
- (58) **Field of Classification Search**  
USPC ..... D8/98, 99, 100, 105, 107; D22/118  
CPC ..... B26B 1/00; B26B 1/02; B26B 1/04;  
B26B 1/042; B26B 1/044; B26B 1/10  
See application file for complete search history.

D539,631 S	4/2007	Taylor	
D553,469 S *	10/2007	Onion	D8/99
D554,964 S	11/2007	Taylor	
D561,295 S	2/2008	Taylor	
D561,554 S	2/2008	Taylor	
D562,102 S	2/2008	Pearman	
D562,932 S	2/2008	Taylor	
D578,857 S	10/2008	Yang-Fu	
D599,640 S	9/2009	Yang-Fu	
D599,641 S	9/2009	Yang-Fu	
D600,090 S	9/2009	Yang-Fu	
D613,145 S	4/2010	Yang-Fu	
D638,904 S *	5/2011	Freeman	D22/118
D688,933 S	9/2013	Cheng	
D706,605 S	6/2014	Cheng	
8,893,389 B2 *	11/2014	Freeman	B26B 1/046 30/155

(Continued)

*Primary Examiner* — Phillip S Hyder  
(74) *Attorney, Agent, or Firm* — Senniger Powers LLP

(57) **CLAIM**

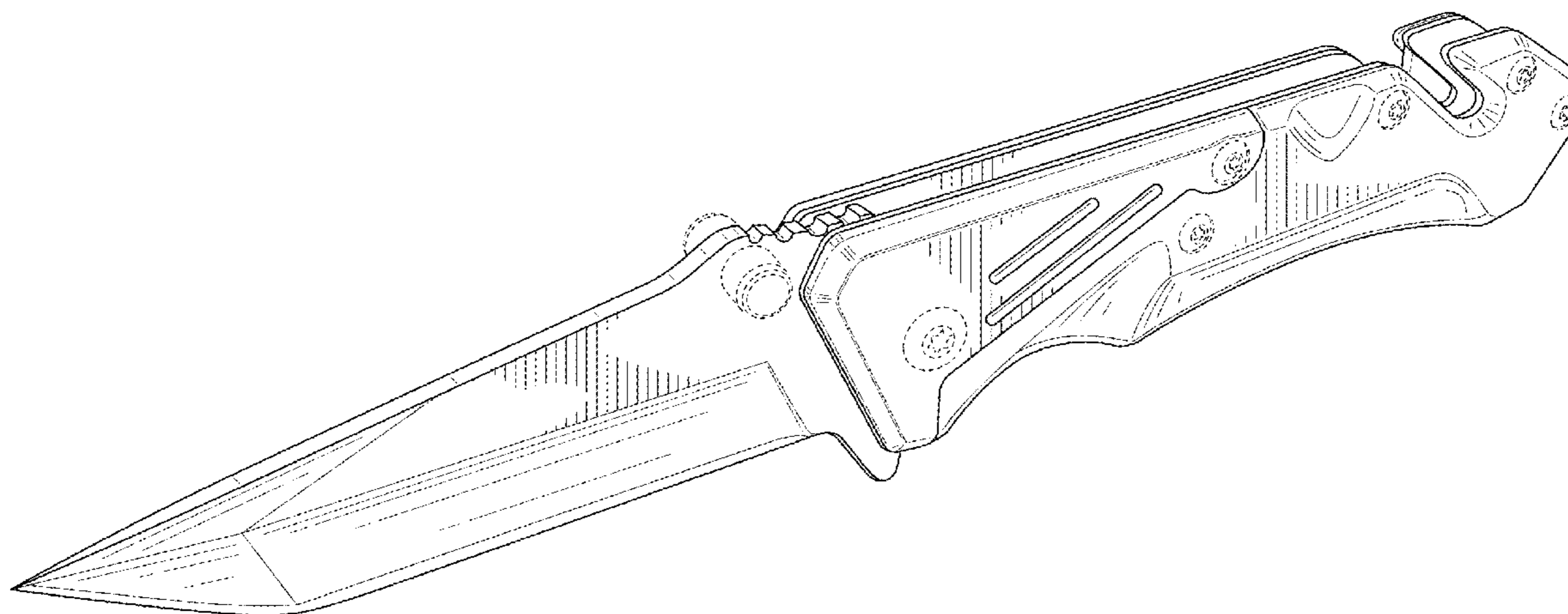
The ornamental design for a knife, as shown and described.

**DESCRIPTION**

FIG. 1 is a perspective view of a knife of my new design. FIG. 2 is a left side elevation view of the knife of FIG. 1. FIG. 3 is a right side elevation view of the knife of FIG. 1. FIG. 4 is a front end view of the knife of FIG. 1. FIG. 5 is a rear end view of the knife of FIG. 1. FIG. 6 is a top plan view of the knife of FIG. 1; and, FIG. 7 is a bottom plan view of the knife of FIG. 1. The broken lines in the drawings are included for the purpose of illustrating unclaimed features and form no part of the claimed design.

**1 Claim, 6 Drawing Sheets**

- (56) **References Cited**  
U.S. PATENT DOCUMENTS
- D379,294 S \* 5/1997 Lum ..... D8/99
- D454,769 S 3/2002 Gardiner et al.
- D459,188 S 6/2002 Gardiner et al.
- D482,257 S 11/2003 Taylor et al.
- D482,258 S 11/2003 Taylor et al.
- D505,057 S 5/2005 Ralph
- D510,249 S \* 10/2005 Ray ..... D8/99
- D512,624 S 12/2005 Taylor et al.
- D513,958 S \* 1/2006 Ray ..... D8/99



(56)

**References Cited**

U.S. PATENT DOCUMENTS

D733,515 S \* 7/2015 Cheng ..... D8/99  
D734,117 S 7/2015 Cheng  
2004/0158991 A1\* 8/2004 Freeman ..... B26B 1/048  
30/161

\* cited by examiner

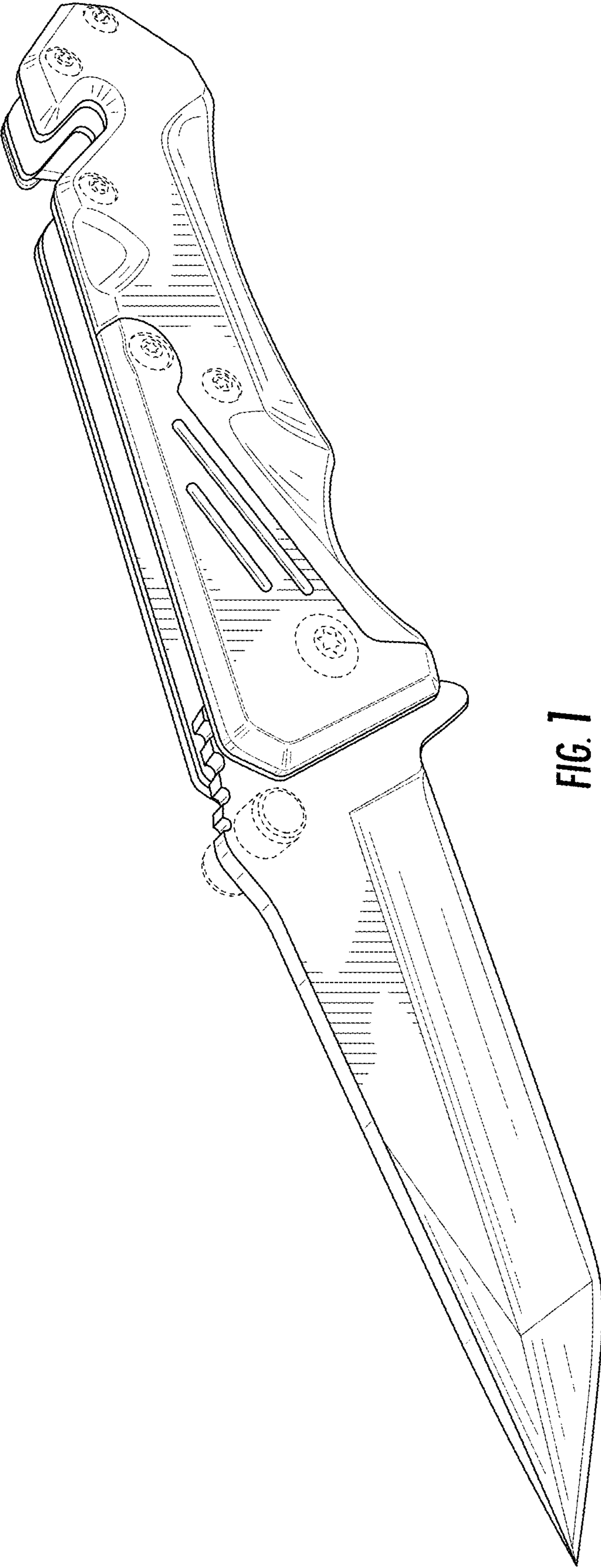


FIG. 1

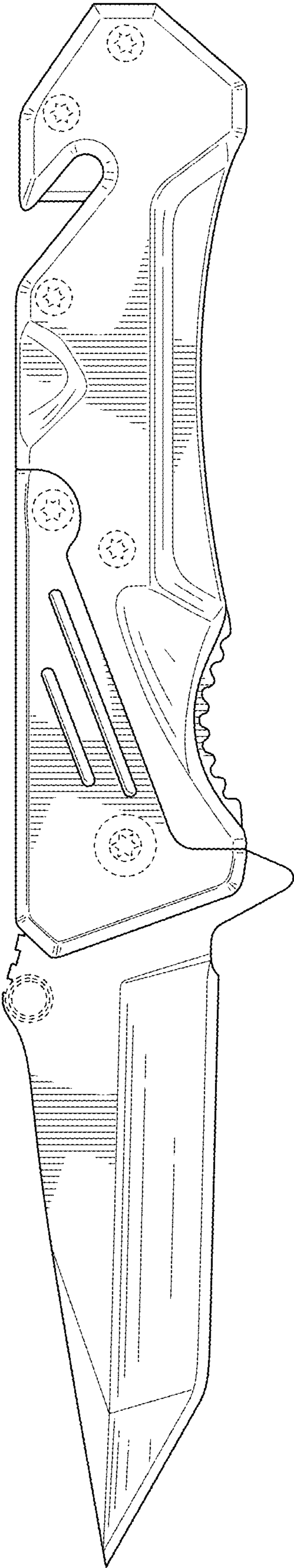


FIG. 2

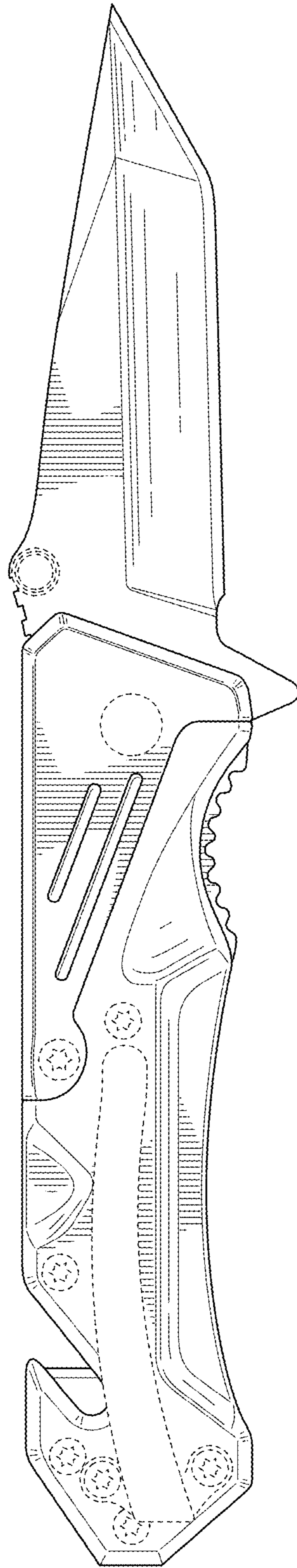
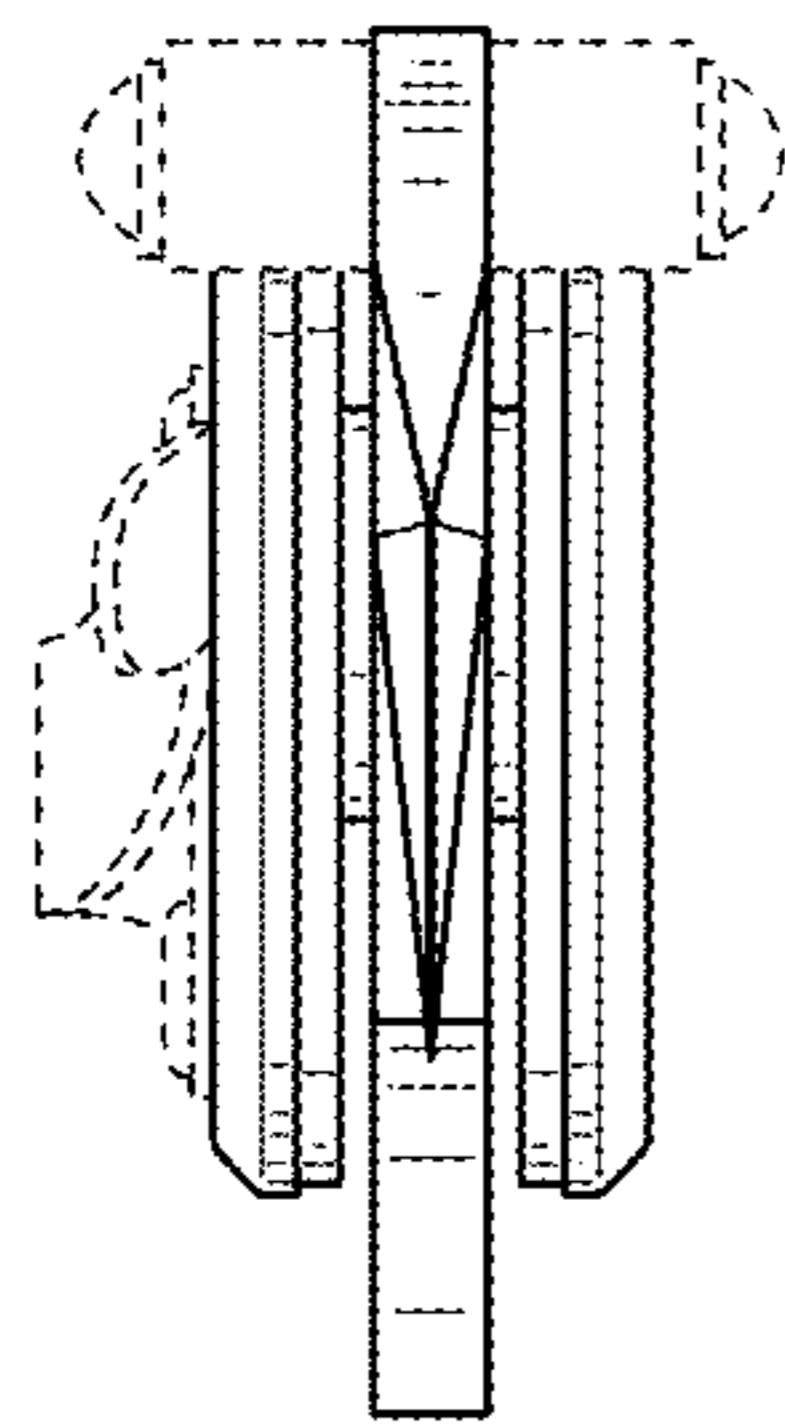
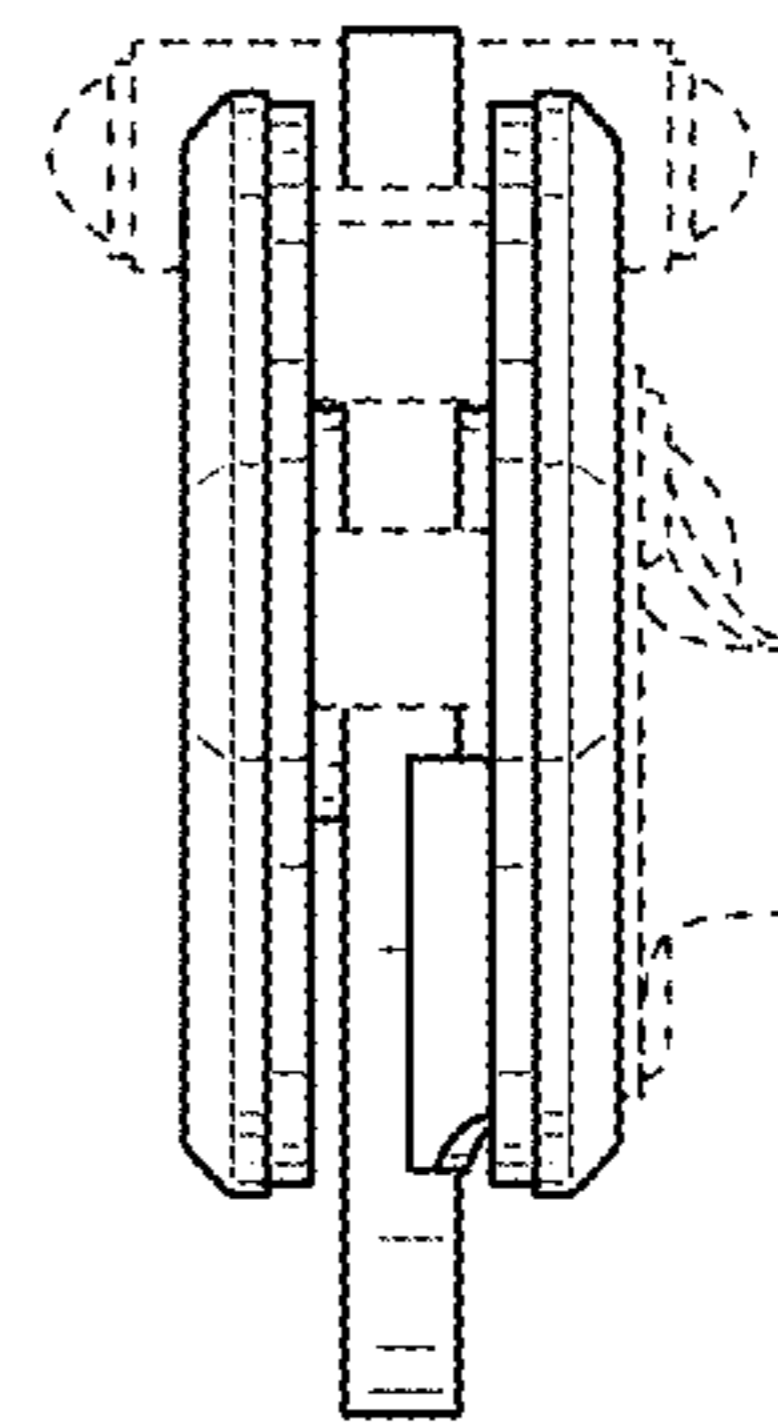


FIG. 3



**FIG. 4**



**FIG. 5**

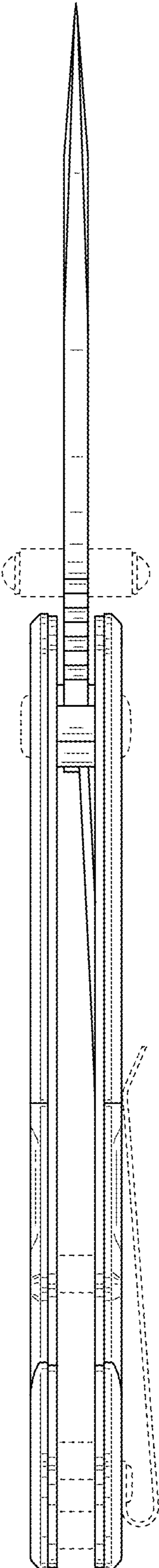


FIG. 6

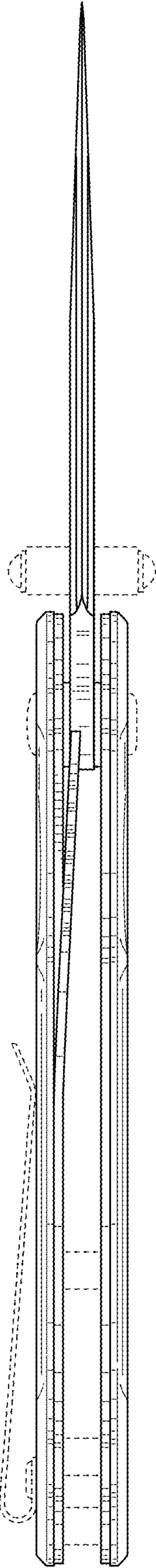


FIG. 7