



US00D776506S

(12) **United States Design Patent** (10) **Patent No.:** **US D776,506 S**
Bradley (45) **Date of Patent:** **** Jan. 17, 2017**

- (54) **PLIERS**
- (71) Applicant: **Theodore Bradley**, North Ridgeville, OH (US)
- (72) Inventor: **Theodore Bradley**, North Ridgeville, OH (US)
- (73) Assignee: **MAGNA INDUSTRIES, INC.**, Cleveland, OH (US)
- (**) Term: **14 Years**
- (21) Appl. No.: **29/508,983**
- (22) Filed: **Nov. 12, 2014**
- (51) **LOC (10) Cl.** **08-05**
- (52) **U.S. Cl.**
USPC **D8/52**
- (58) **Field of Classification Search**
USPC D8/4, 5, 51-56, 105, 107
CPC B25B 7/10; B25B 13/48; B25B 7/02;
B25B 7/12; B25F 1/00
See application file for complete search history.

- (56) **References Cited**
- U.S. PATENT DOCUMENTS
- | | | | | |
|---------------|---------|----------|-------|-----------------------|
| 2,854,878 A * | 10/1958 | Mead | | B25B 7/10
81/411 |
| 3,894,451 A * | 7/1975 | Putsch | | B25B 7/02
81/424.5 |
| D258,930 S * | 4/1981 | Wahlberg | | D8/22 |
| 4,438,669 A * | 3/1984 | Hastings | | B25B 7/10
81/409.5 |

- | | | | |
|----------------|---------|-----------------|---------------------------|
| 4,924,544 A | 5/1990 | Culotta | |
| D337,492 S | 7/1993 | Ryan et al. | |
| 5,247,715 A | 9/1993 | Nishiguchi | |
| D343,779 S * | 2/1994 | Imhoff | D8/52 |
| 5,456,278 A | 10/1995 | Morris et al. | |
| D398,497 S * | 9/1998 | Gomas | D8/52 |
| 7,089,832 B2 * | 8/2006 | Engvall | B25B 7/10
81/391 |
| D566,494 S | 4/2008 | Karl | |
| D588,890 S * | 3/2009 | Picaza Ibarrodo | D8/52 |
| D607,703 S * | 1/2010 | Pagliari | D8/52 |
| D610,417 S * | 2/2010 | Robinson | D8/52 |
| D679,158 S * | 4/2013 | Schleiminger | D8/52 |

* cited by examiner

Primary Examiner — Deanna L Pratt

(57) **CLAIM**

The ornamental design for pliers, as shown and described.

DESCRIPTION

FIG. 1 is a right side view of the plier design shown;
 FIG. 2 is a right side view of the upper jaw handle portion of the plier design of FIG. 1;
 FIG. 3 is a front view of the design of FIG. 2;
 FIG. 4 is a bottom view of the design of FIG. 2;
 FIG. 5 is a rear view of the design of FIG. 2;
 FIG. 6 is a top view of the design of FIG. 2;
 FIG. 7 is a bottom view of the design of FIG. 2;
 FIG. 8 is a right side view of the lower jaw handle portion of the plier design of FIG. 1; and,
 FIG. 9 is a bottom view of the design of FIG. 8.
 The broken lines are provided solely for illustrative purposes to show environment and form no part of the claimed design.

1 Claim, 3 Drawing Sheets

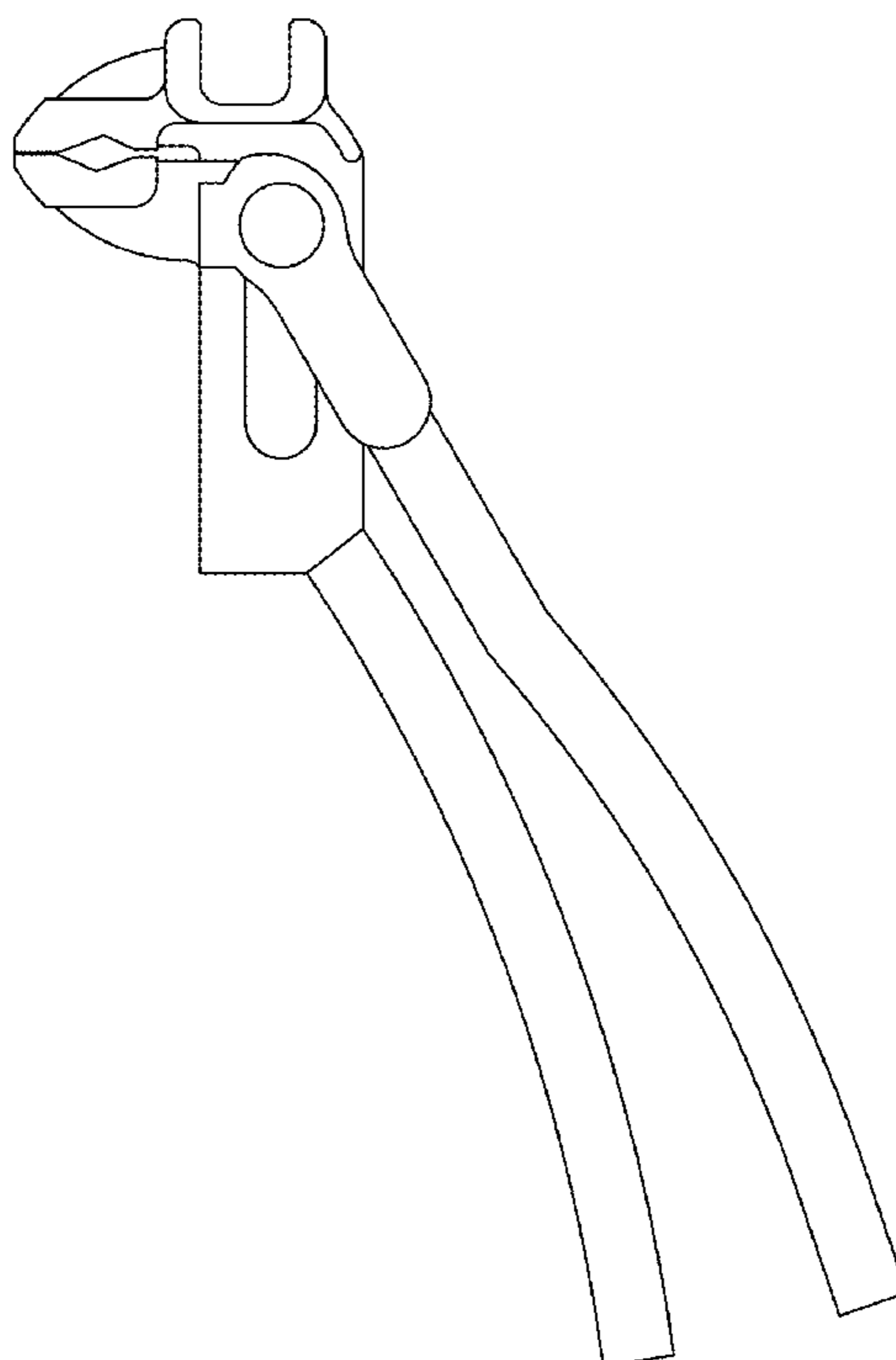


Fig. 1

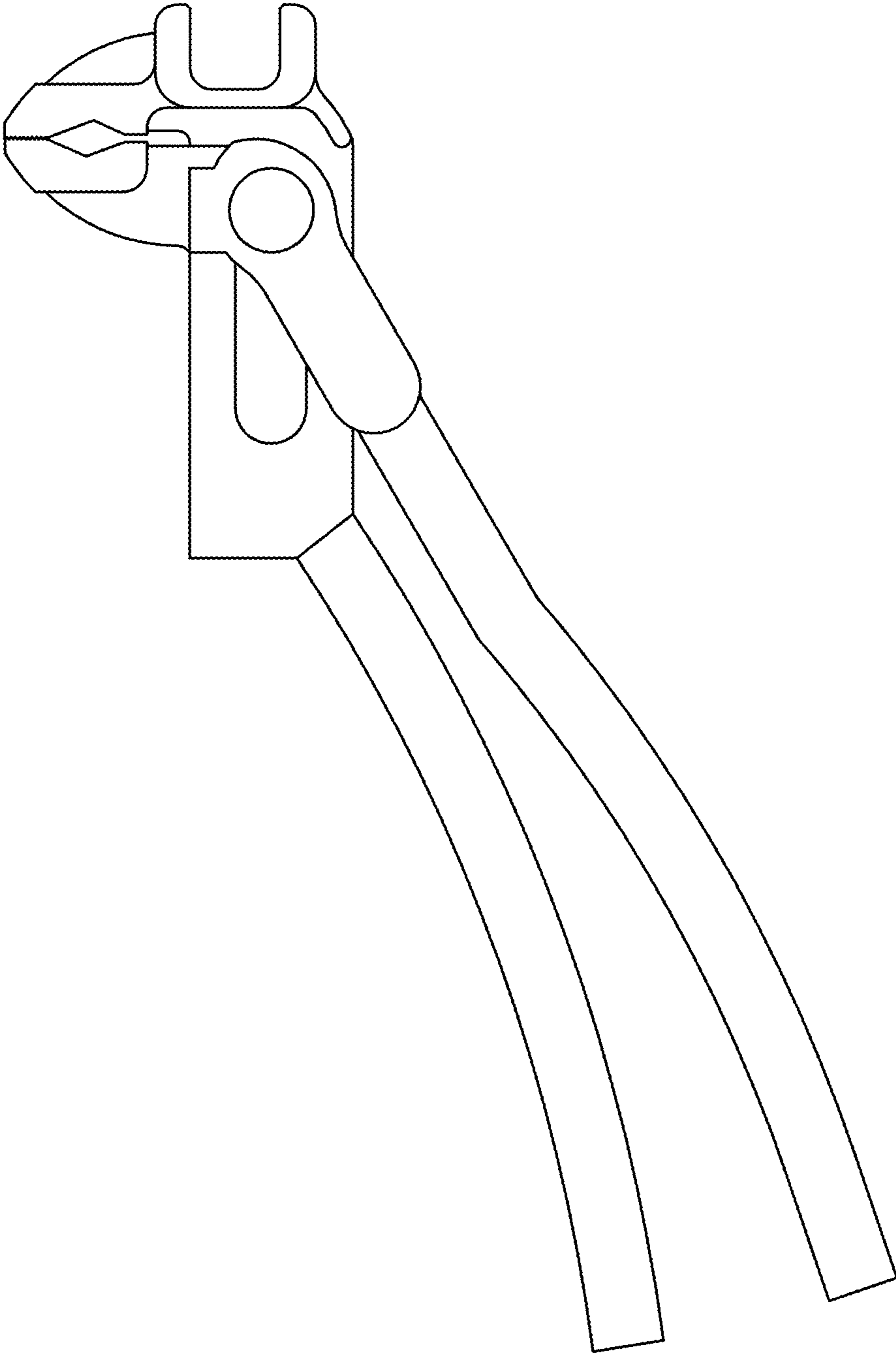


Fig. 3

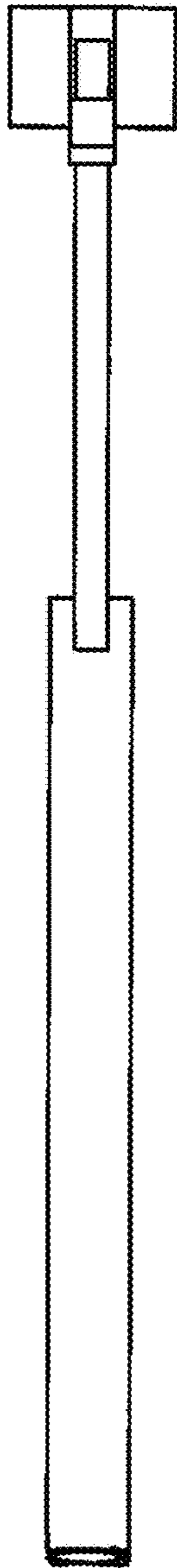


Fig. 6

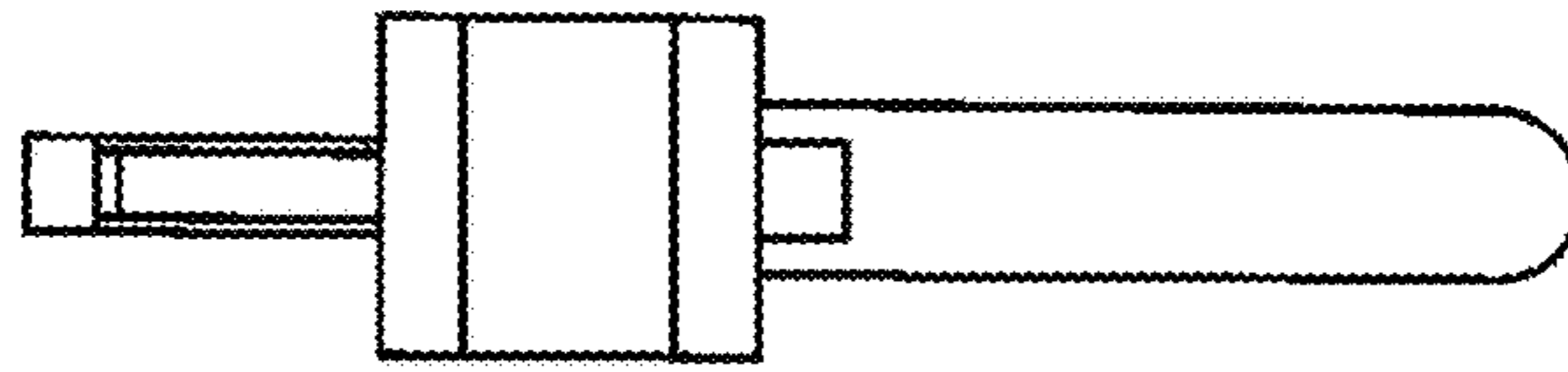


Fig. 5

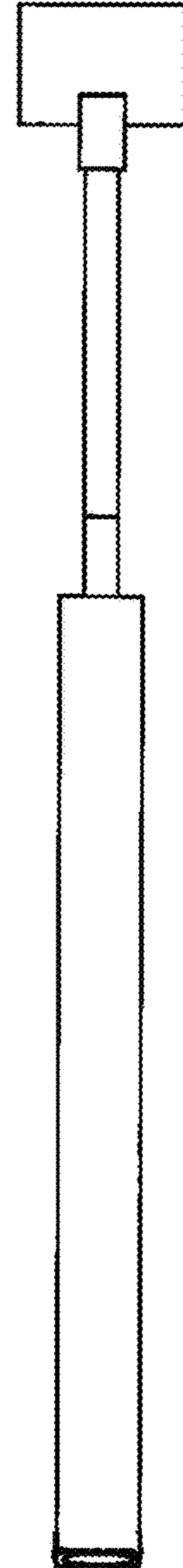


Fig. 2

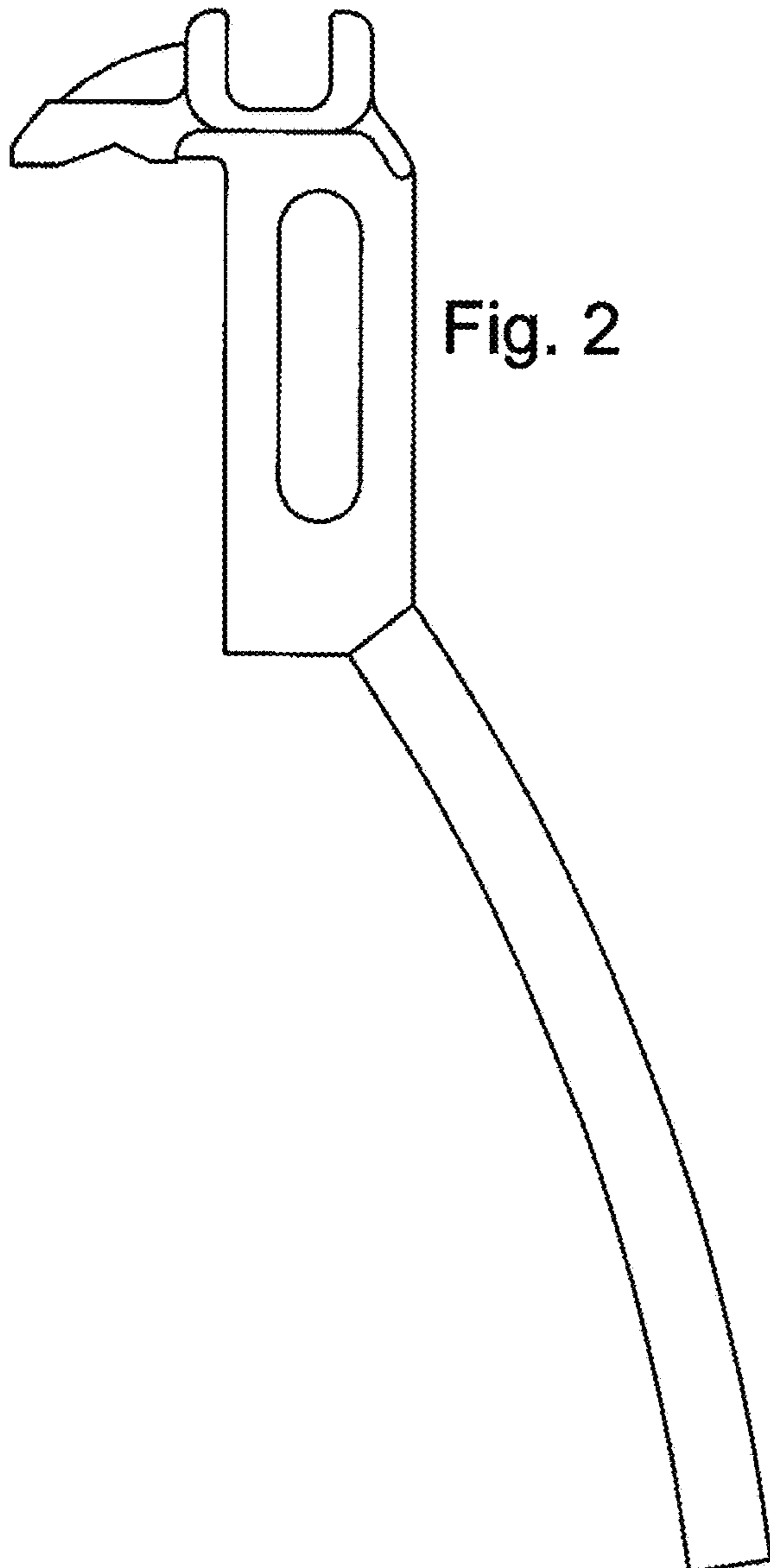


Fig. 7

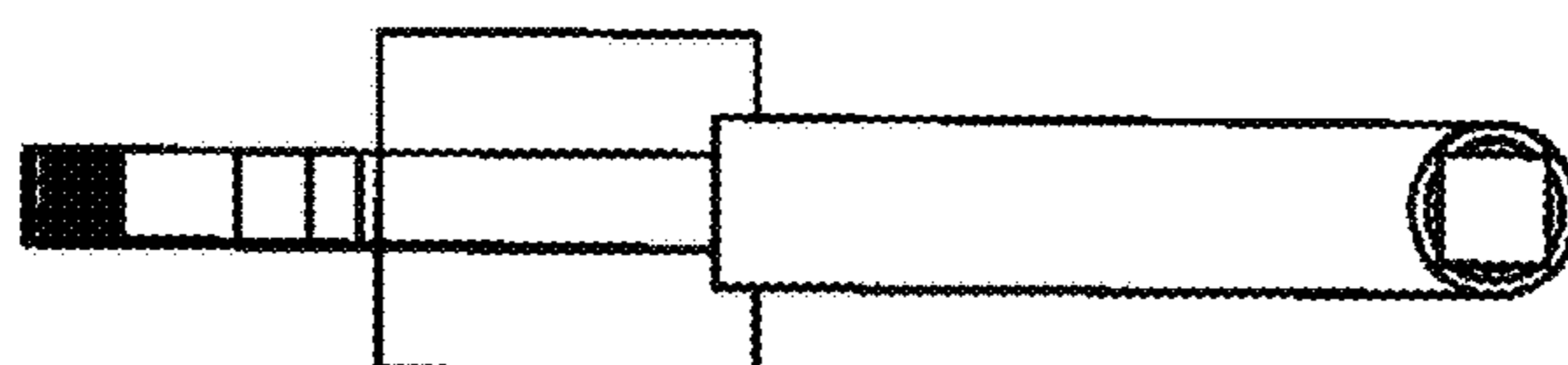


Fig. 4



Fig. 8

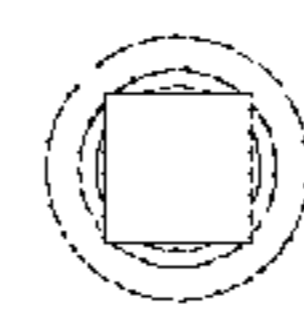
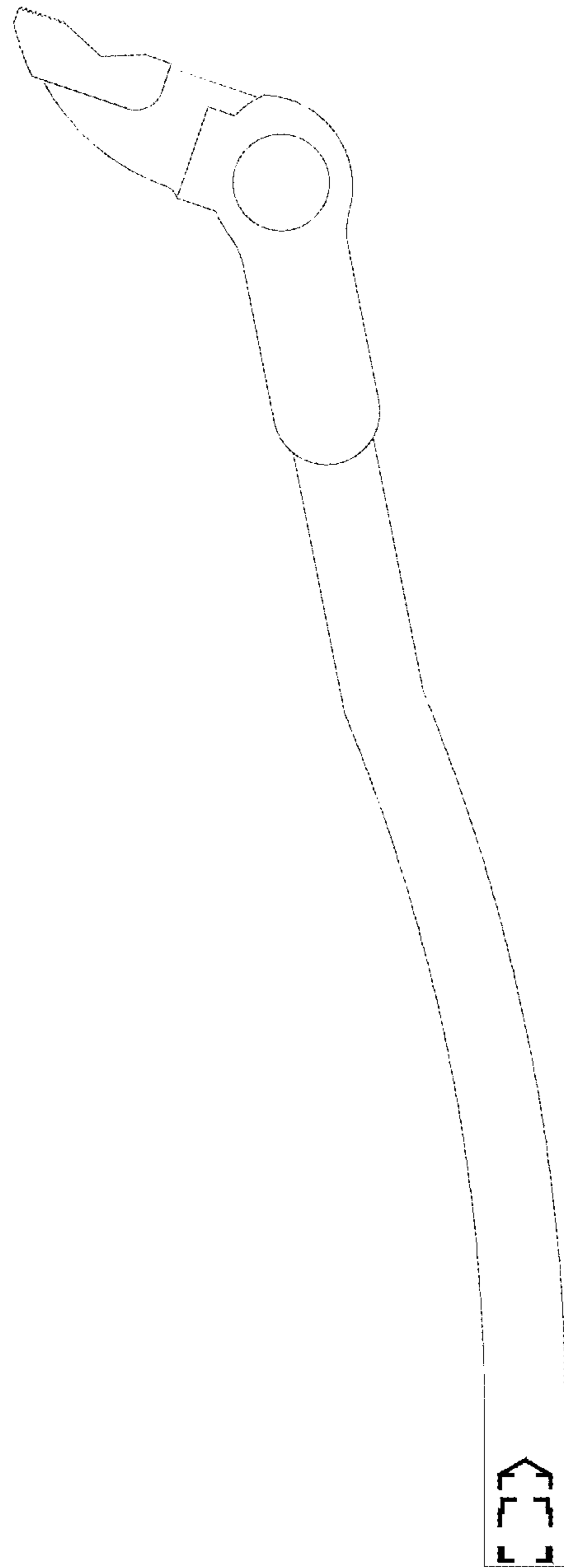


Fig. 9