



US00D776505S

(12) **United States Design Patent**  
**Doroslovac**

(10) **Patent No.:** **US D776,505 S**

(45) **Date of Patent:** **\*\* Jan. 17, 2017**

(54) **ANTI-SLIP FASTENER REMOVER**

(71) Applicant: **Robert S. Doroslovac**, Massillon, OH  
(US)

(72) Inventor: **Robert S. Doroslovac**, Massillon, OH  
(US)

(73) Assignee: **GRIP TOOLING TECHNOLOGIES LLC**, Brandon, FL (US)

(\*\*) Term: **15 Years**

(21) Appl. No.: **29/543,768**

(22) Filed: **Oct. 28, 2015**

(51) **LOC (10) Cl.** ..... **08-05**

(52) **U.S. Cl.**  
USPC ..... **D8/29**

(58) **Field of Classification Search**  
USPC ..... D8/29; 81/60, 177.1, 177.85, 121.1,  
81/124.3, 165-170, 110.1, 176.2, 124.6,  
81/176.1, 176.15, 177.2, 186; 16/110.1  
CPC ..... B25B 13/06; B25B 13/065  
See application file for complete search history.

(56) **References Cited**

**U.S. PATENT DOCUMENTS**

6,598,498 B1 \* 7/2003 Pigford ..... B25B 13/065  
81/121.1  
7,152,509 B2 \* 12/2006 McCalley, Jr. .... B25B 27/18  
81/441

D544,322 S \* 6/2007 Horobec ..... D8/29  
D570,169 S \* 6/2008 Lin ..... D8/29  
8,607,670 B2 \* 12/2013 Stawarski ..... B25B 27/18  
81/121.1  
D712,221 S \* 9/2014 Kovach ..... D8/14  
9,038,506 B1 \* 5/2015 Huang ..... B25B 13/462  
81/60

\* cited by examiner

*Primary Examiner* — Randall Gholson

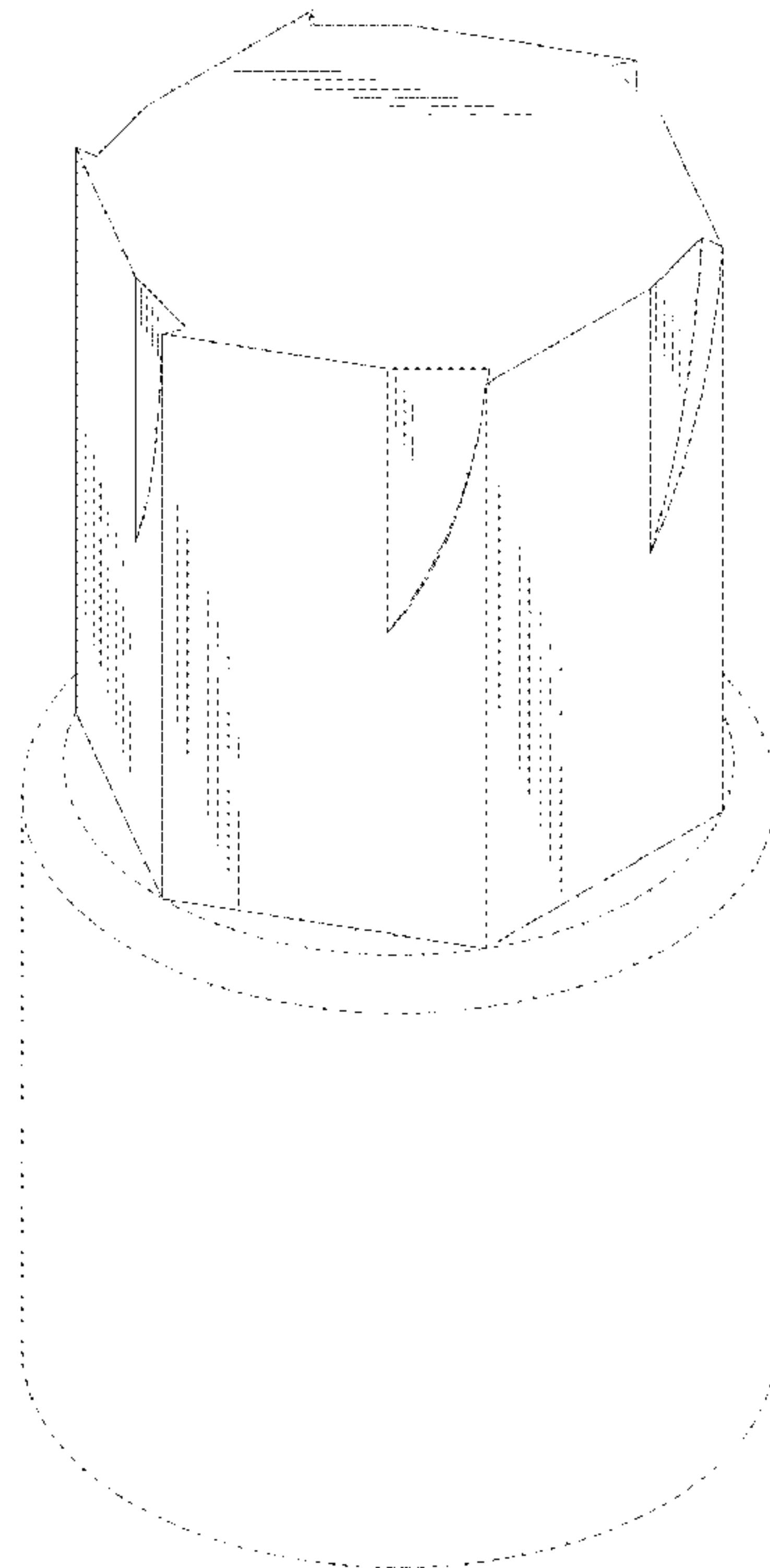
(57) **CLAIM**

The ornamental design for an anti-slip fastener remover, as shown and described.

**DESCRIPTION**

FIG. 1 is a perspective view of an anti-slip fastener remover; FIG. 2 is a front elevational view thereof; FIG. 3 is a rear elevational view thereof; FIG. 4 is a left side elevational view thereof; FIG. 5 is a right side elevational view thereof; FIG. 6 is a top plan view thereof; and, FIG. 7 is a bottom plan view thereof. The broken line showing an engagement bore for a torque tool is included for the purpose of illustrating environmental structure and forms no part of the claimed design.

**1 Claim, 7 Drawing Sheets**



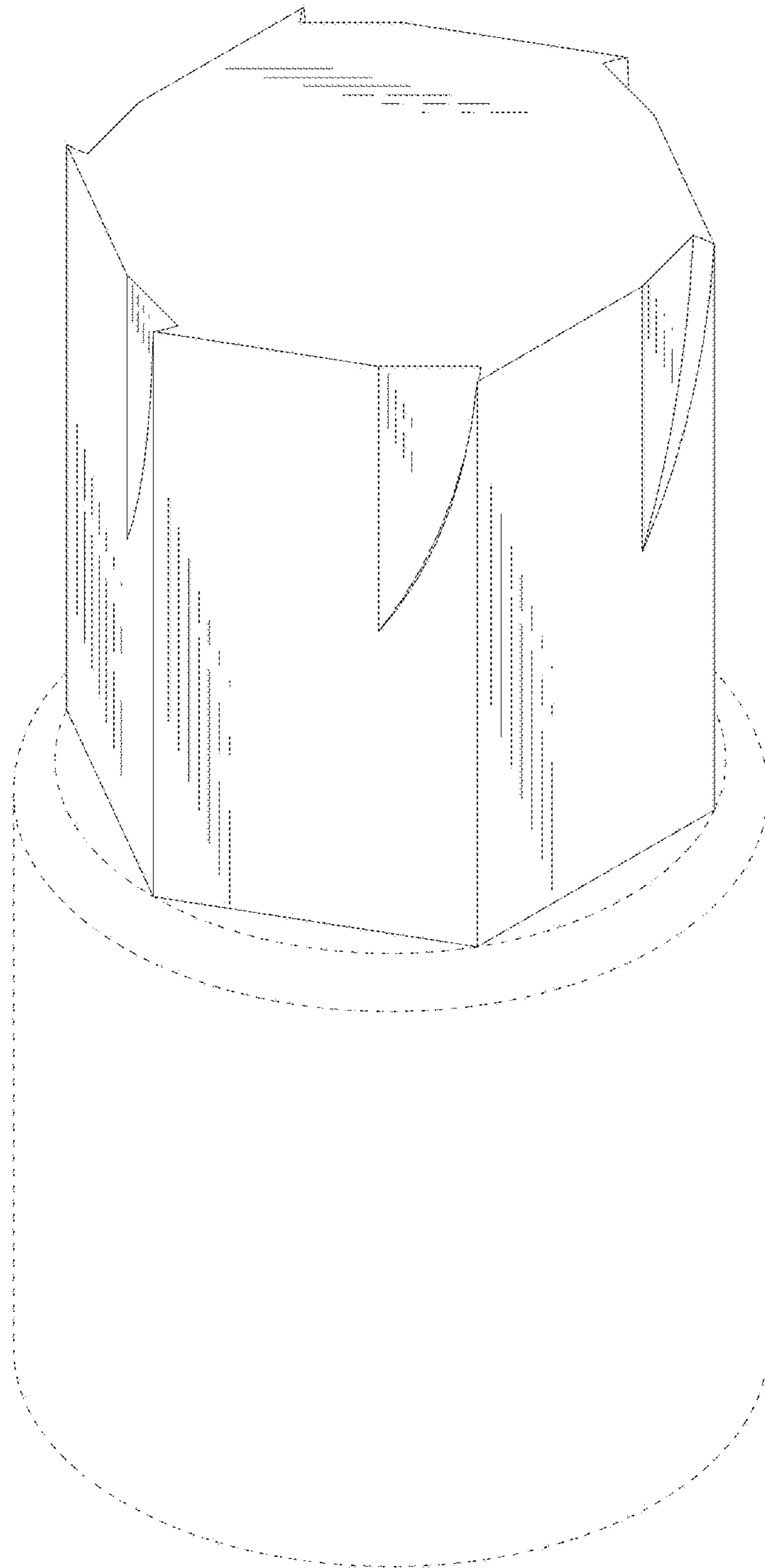


FIG. 1

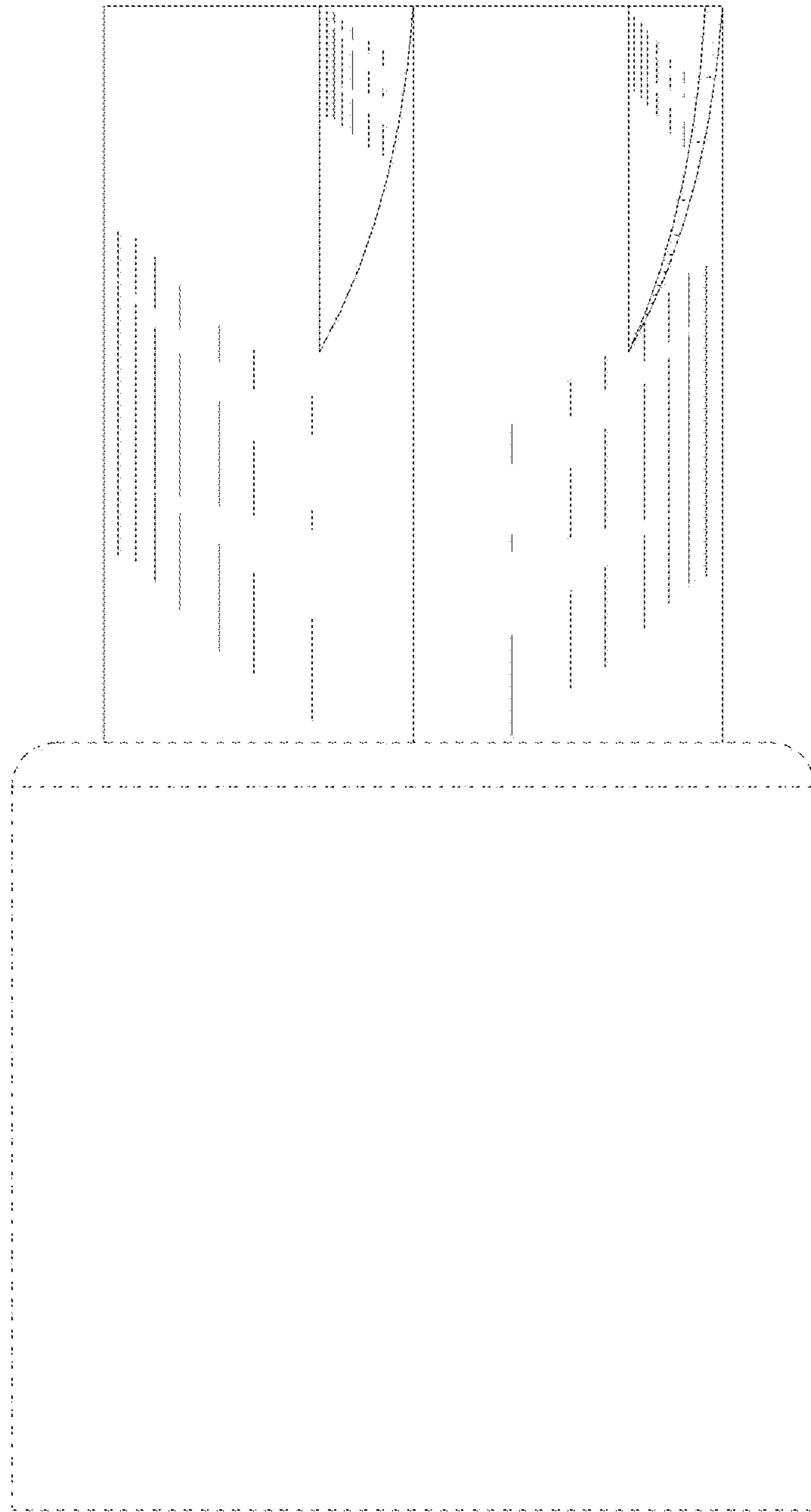


FIG. 2

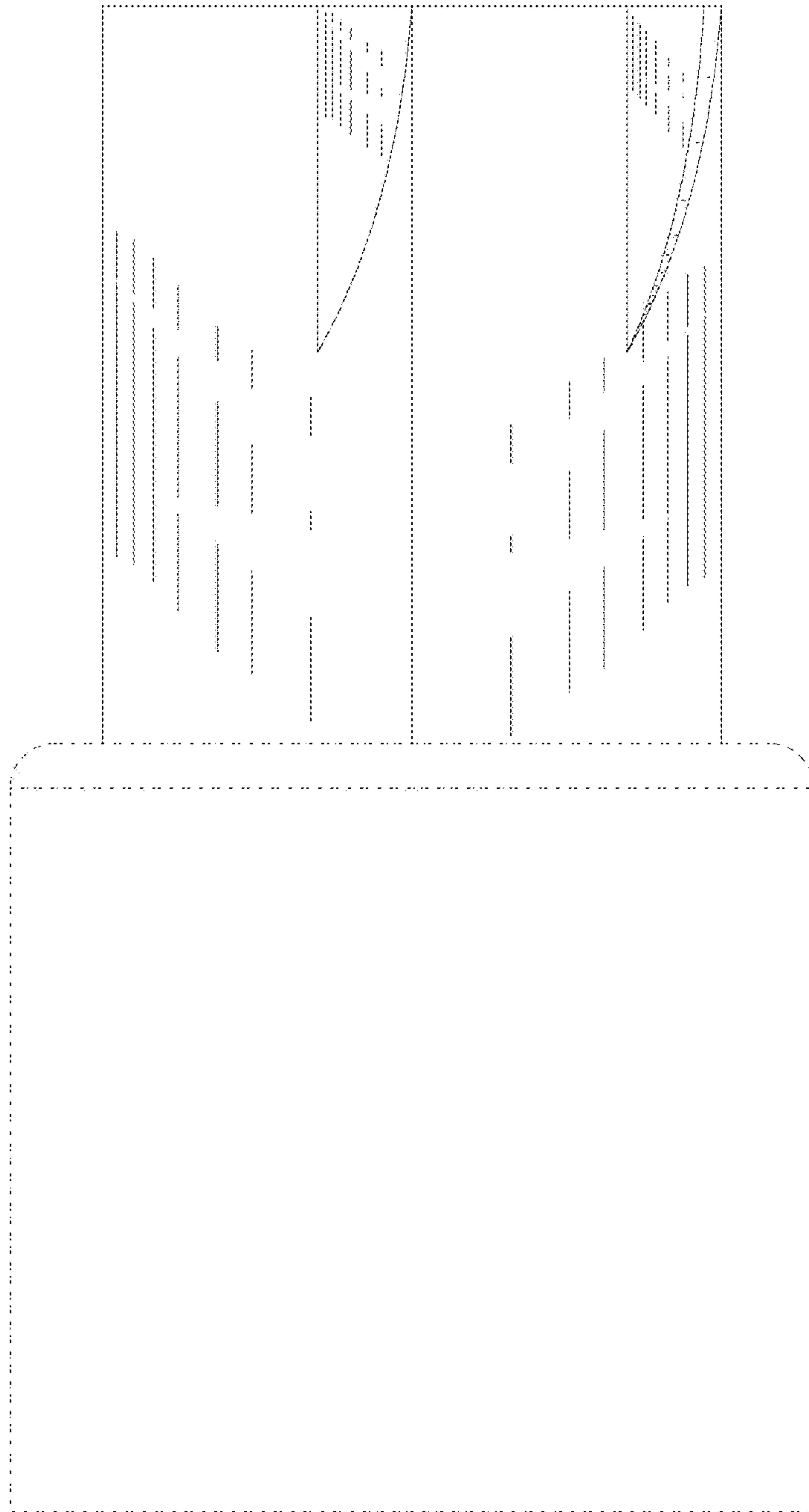


FIG. 3

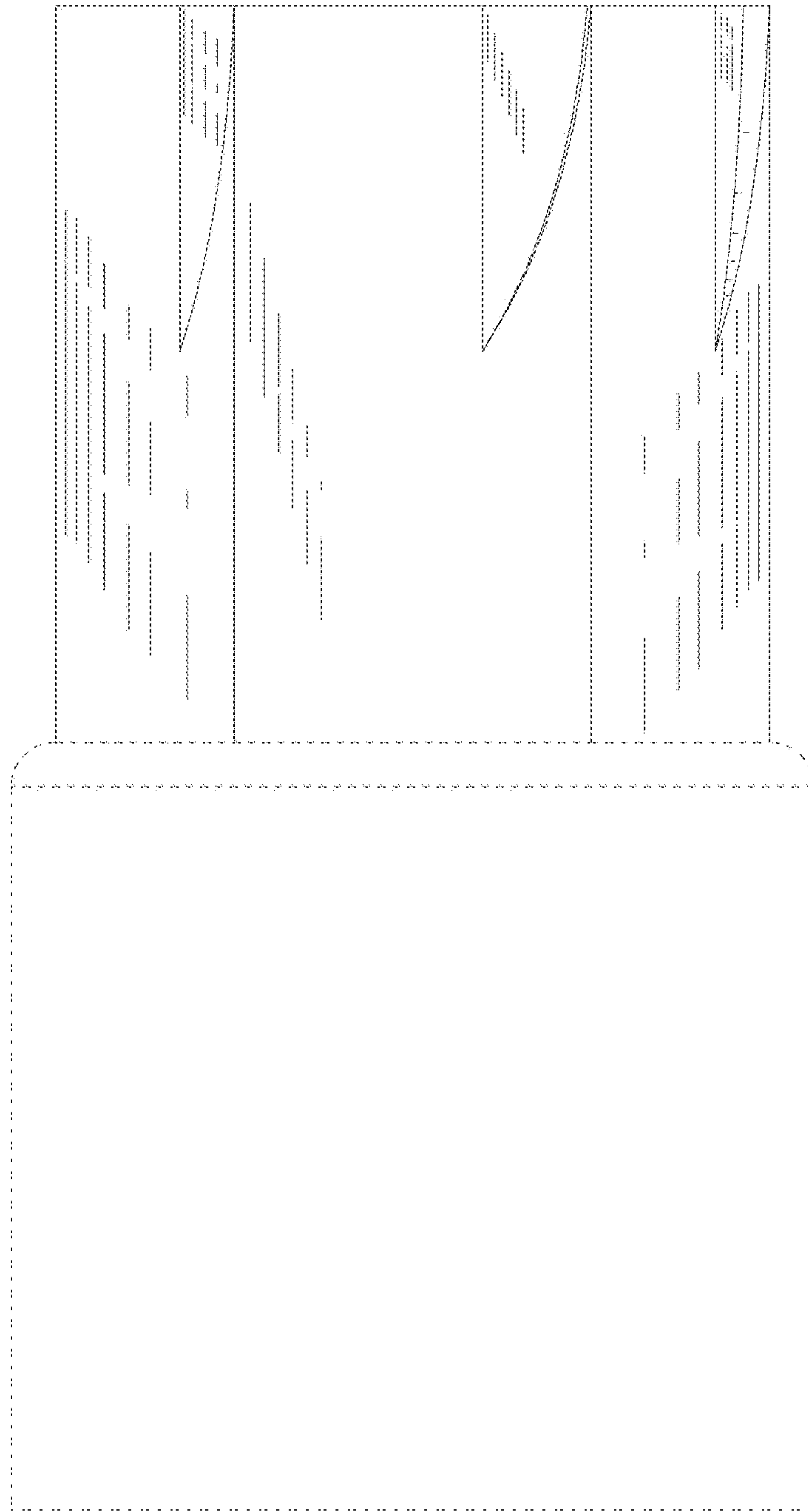


FIG. 4

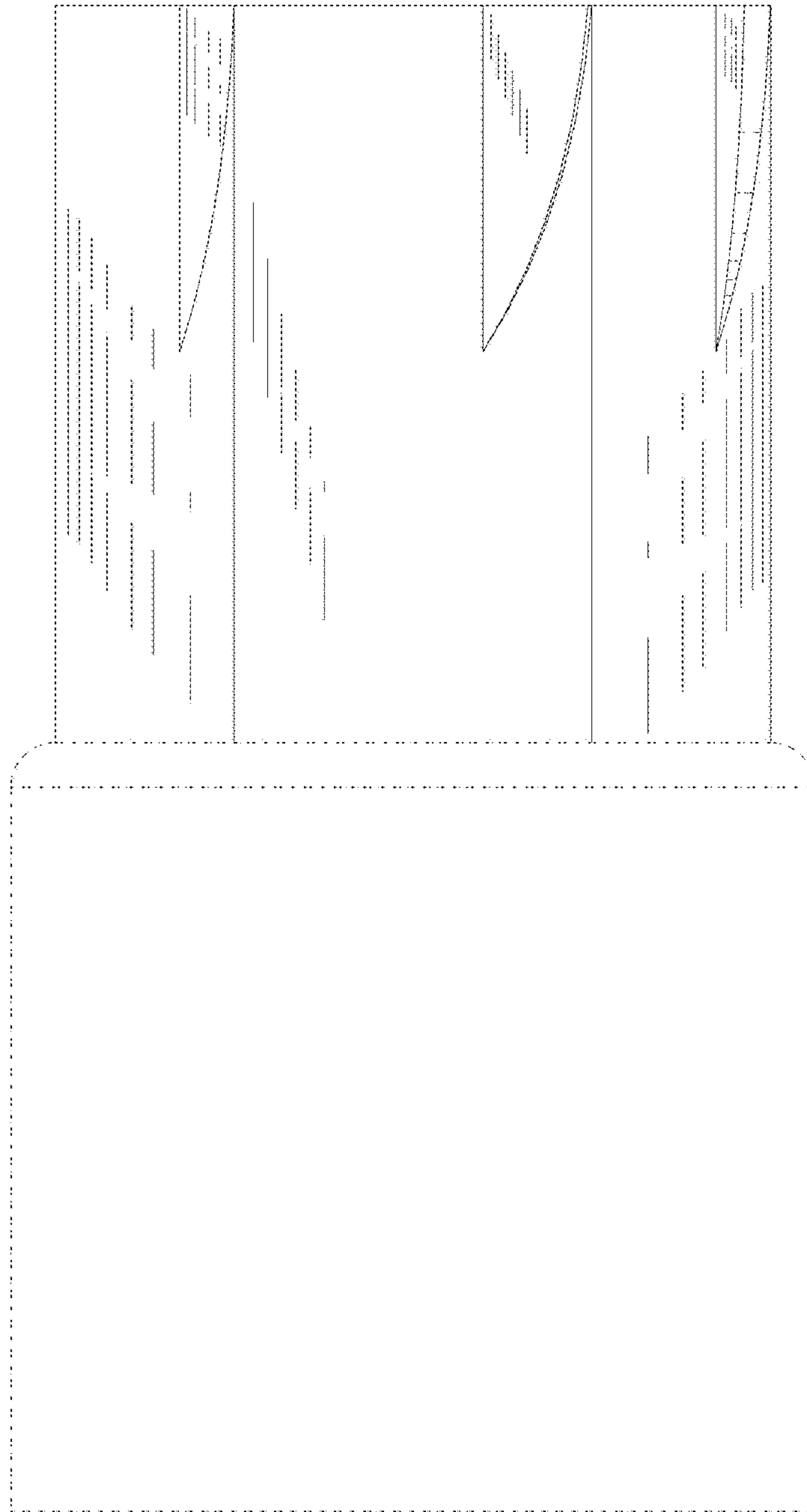


FIG. 5

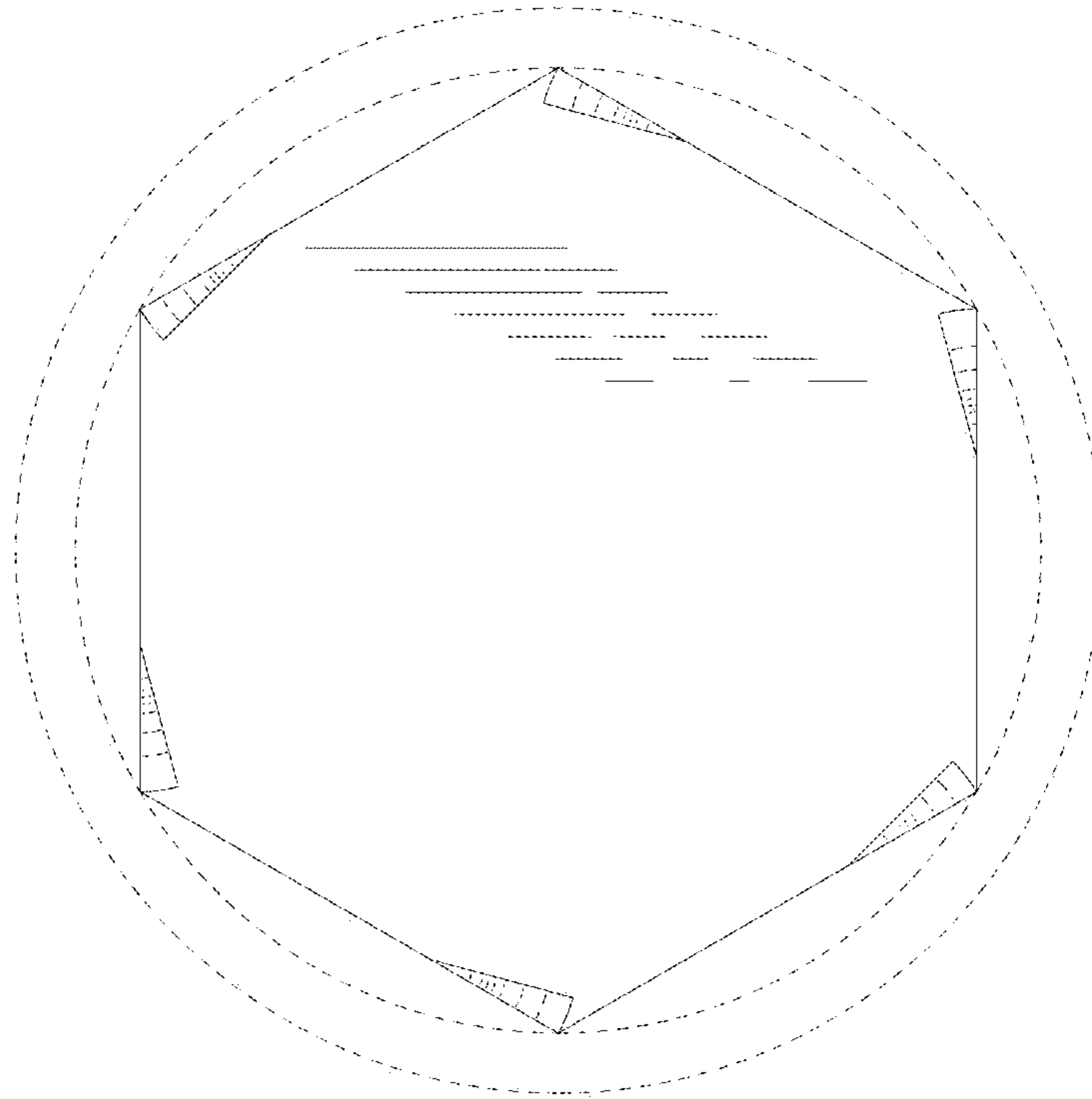


FIG. 6

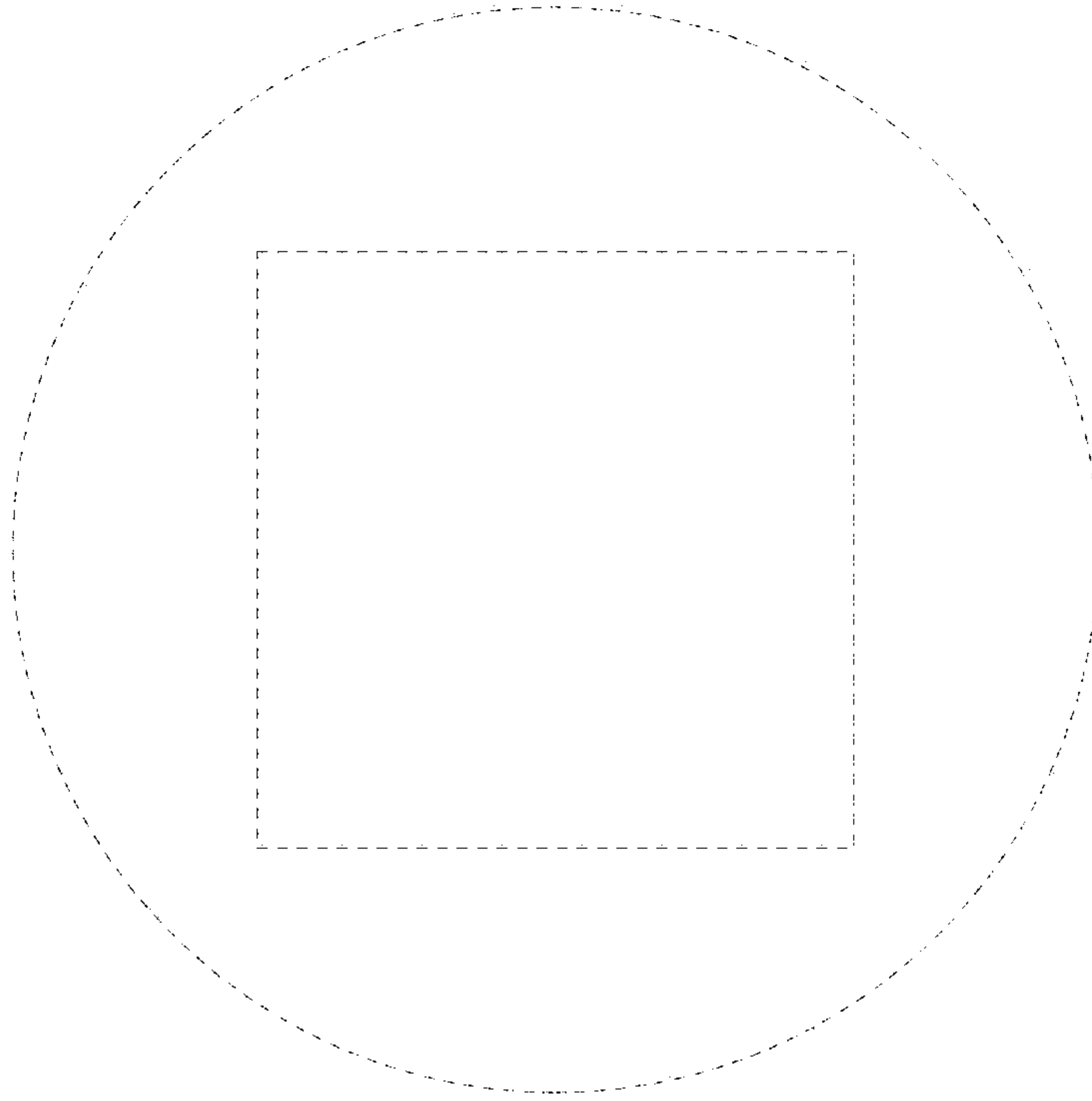


FIG. 7