

US00D776504S

(12) **United States Design Patent**  
**Lee et al.**

(10) **Patent No.: US D776,504 S**  
(45) **Date of Patent: \*\* Jan. 17, 2017**

- (54) **SOCKET**
- (71) Applicants: **An-Kun Lee**, Taichung (TW);  
**Shu-Tuan Yang**, Taichung (TW);  
**Chiu-Ken Lai**, Taichung (TW)
- (72) Inventors: **An-Kun Lee**, Taichung (TW);  
**Shu-Tuan Yang**, Taichung (TW);  
**Chiu-Ken Lai**, Taichung (TW)
- (\*\*) Term: **15 Years**
- (21) Appl. No.: **29/537,878**
- (22) Filed: **Aug. 28, 2015**
- (51) **LOC (10) Cl.** ..... **08-05**
- (52) **U.S. Cl.**  
USPC ..... **D8/29**
- (58) **Field of Classification Search**  
USPC ..... D8/29; 81/60, 177.1, 177.85, 121.1,  
81/124.3, 165-170, 110.1, 176.2, 124.6,  
81/176.1, 176.15, 177.2; 16/110.1  
CPC ..... B25B 13/06  
See application file for complete search history.

4,836,059	A *	6/1989	Arnold	.....	B25B 13/06
					76/114
4,930,378	A *	6/1990	Colvin	.....	B25B 13/065
					411/403
4,947,713	A *	8/1990	Arnold	.....	B25B 13/06
					81/121.1
D425,385	S *	5/2000	Jarvis	.....	D8/29
6,791,093	B2 *	9/2004	Caldwell	.....	G01T 1/167
					250/362
D520,823	S *	5/2006	Chen	.....	D8/25
D611,784	S *	3/2010	Girard	.....	D8/25
D611,789	S *	3/2010	Taylor, Jr.	.....	D8/29
D628,868	S *	12/2010	Laurie	.....	D8/29
D709,343	S *	7/2014	Huang	.....	D8/29

\* cited by examiner

*Primary Examiner* — Randall Gholson

(57) **CLAIM**

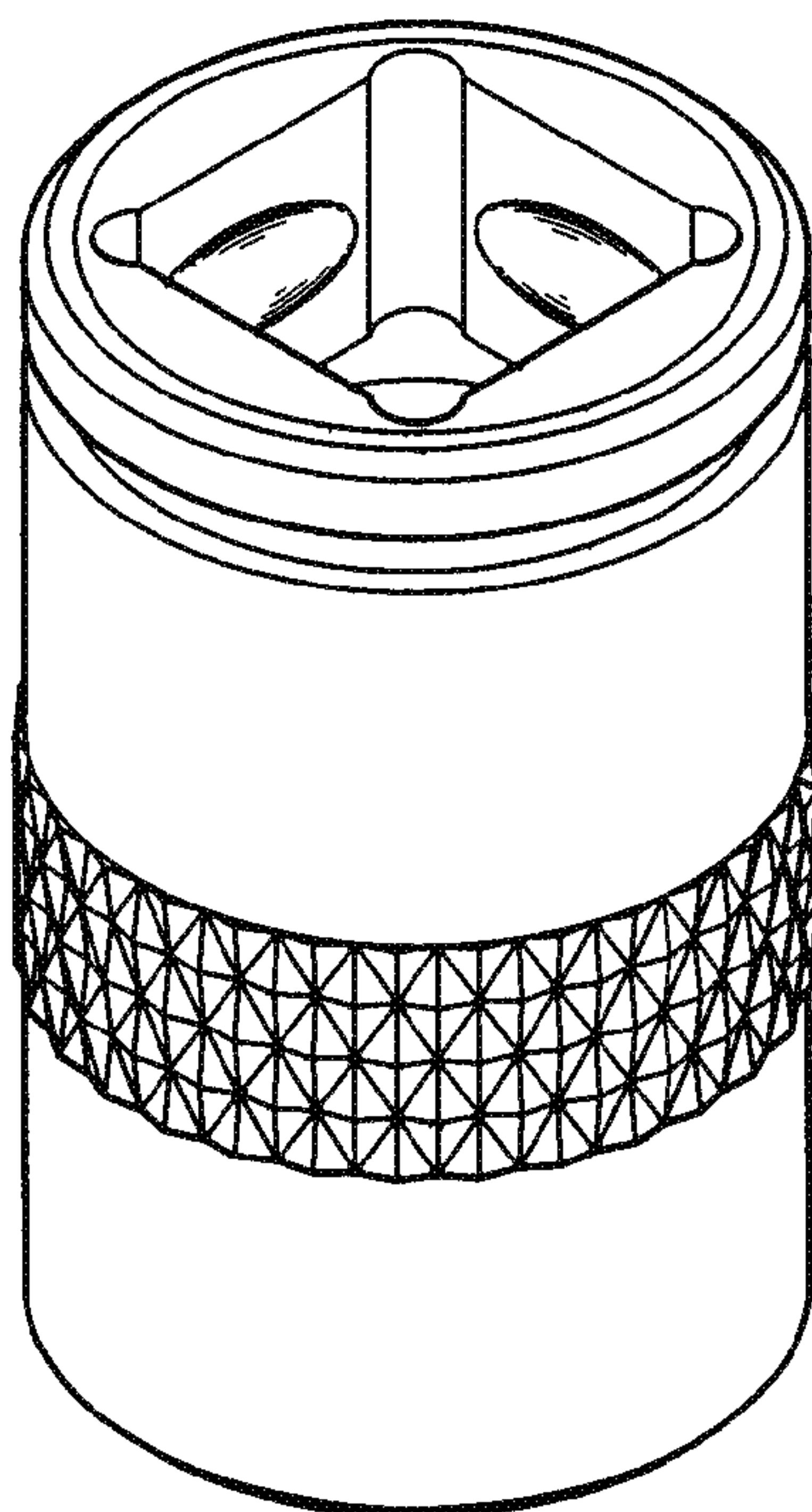
The ornamental design for a socket, as shown and described.

**DESCRIPTION**

FIG. 1 is a perspective view of the socket showing my new design;  
 FIG. 2 is a front elevational view thereof;  
 FIG. 3 is a rear front elevational view thereof;  
 FIG. 4 is a left side elevational view thereof;  
 FIG. 5 is a right side elevational view thereof;  
 FIG. 6 is a top plan view thereof; and,  
 FIG. 7 is a bottom plan view thereof.  
 The broken lines depict portions of the socket that form no part of the claimed design.

**1 Claim, 2 Drawing Sheets**

- (56) **References Cited**  
U.S. PATENT DOCUMENTS  
4,512,220 A \* 4/1985 Barnhill, III ..... B25B 13/065  
411/403  
4,791,837 A \* 12/1988 Main ..... B25B 13/00  
81/177.1



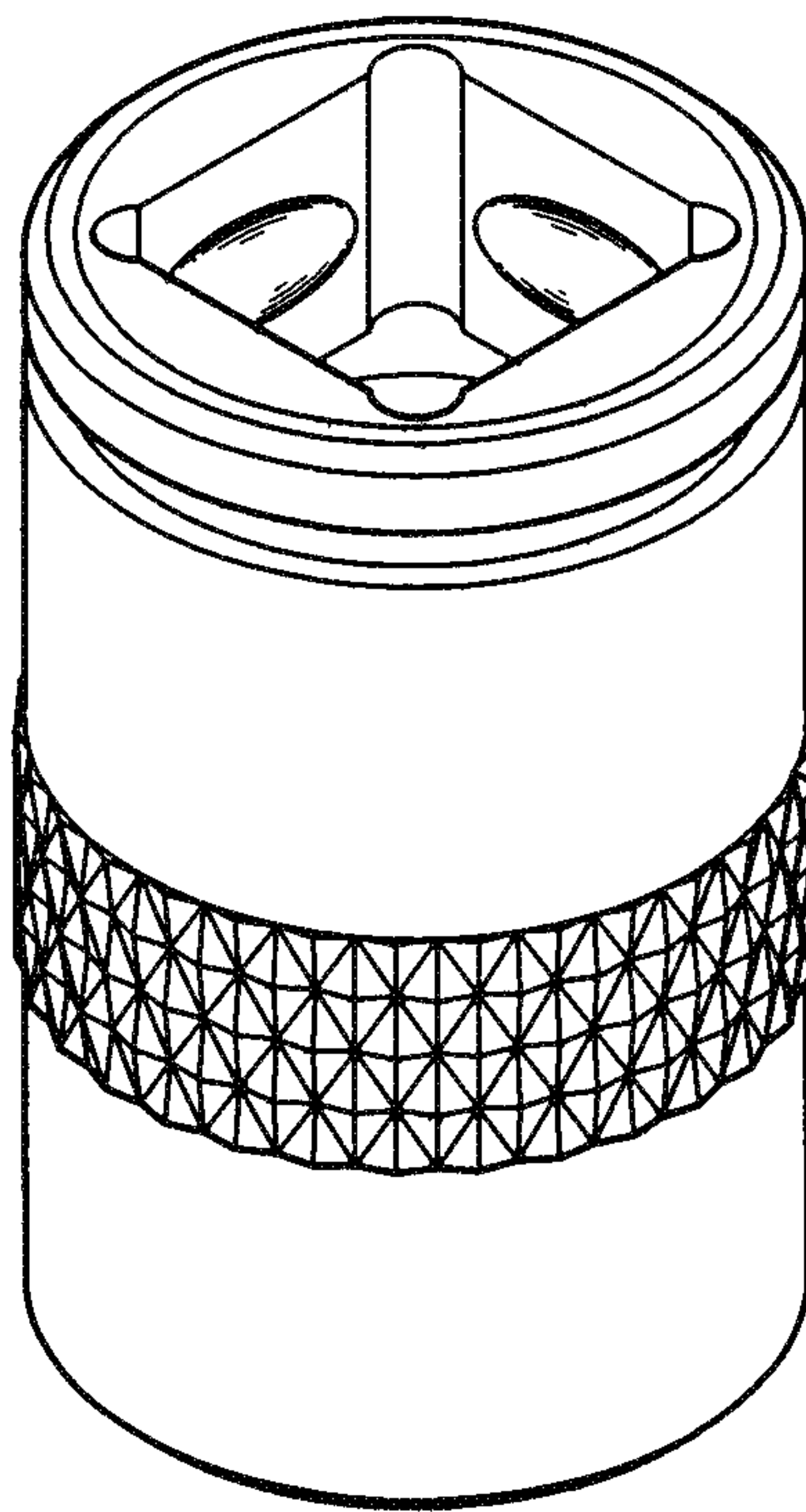


FIG.1

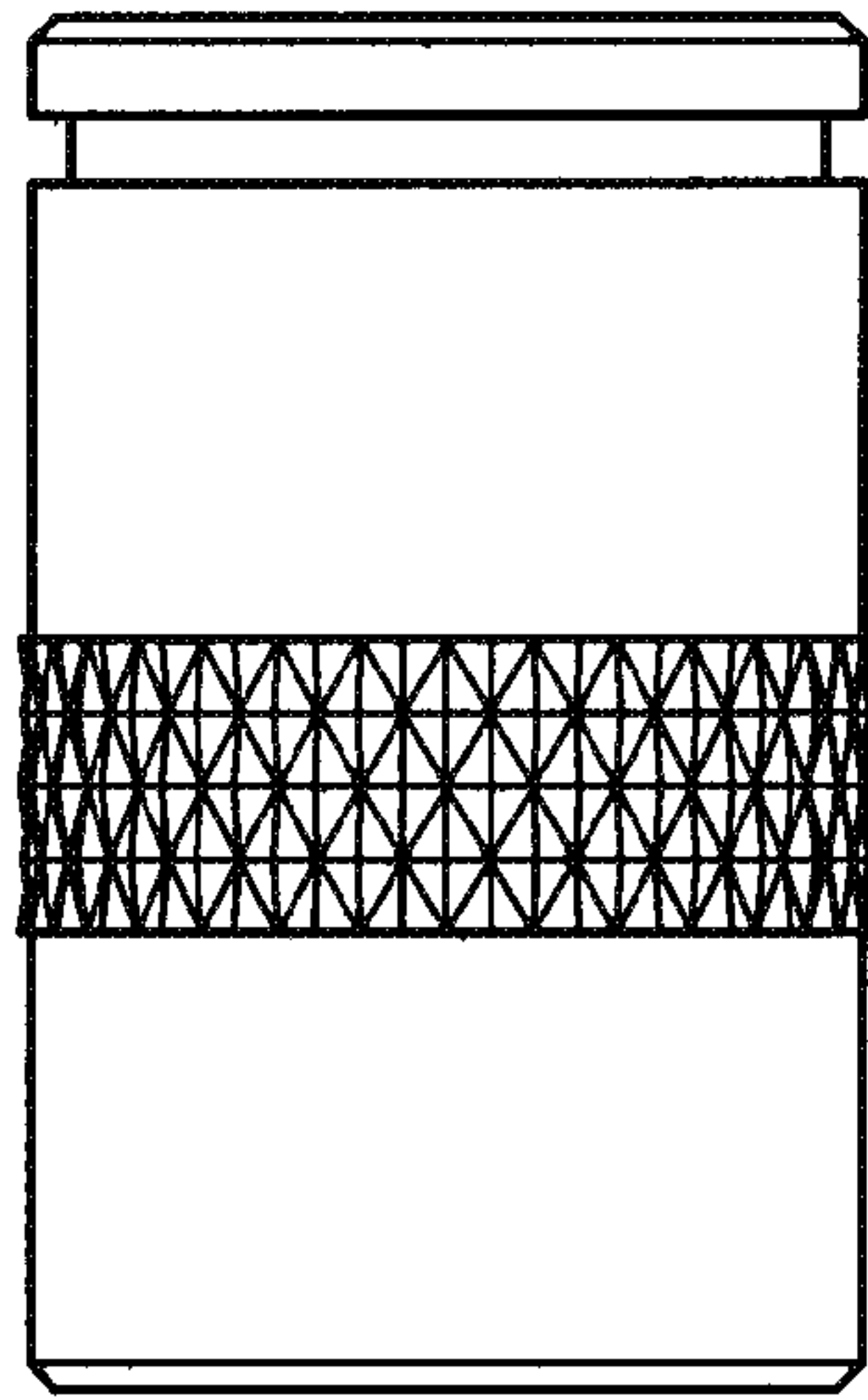


FIG. 2

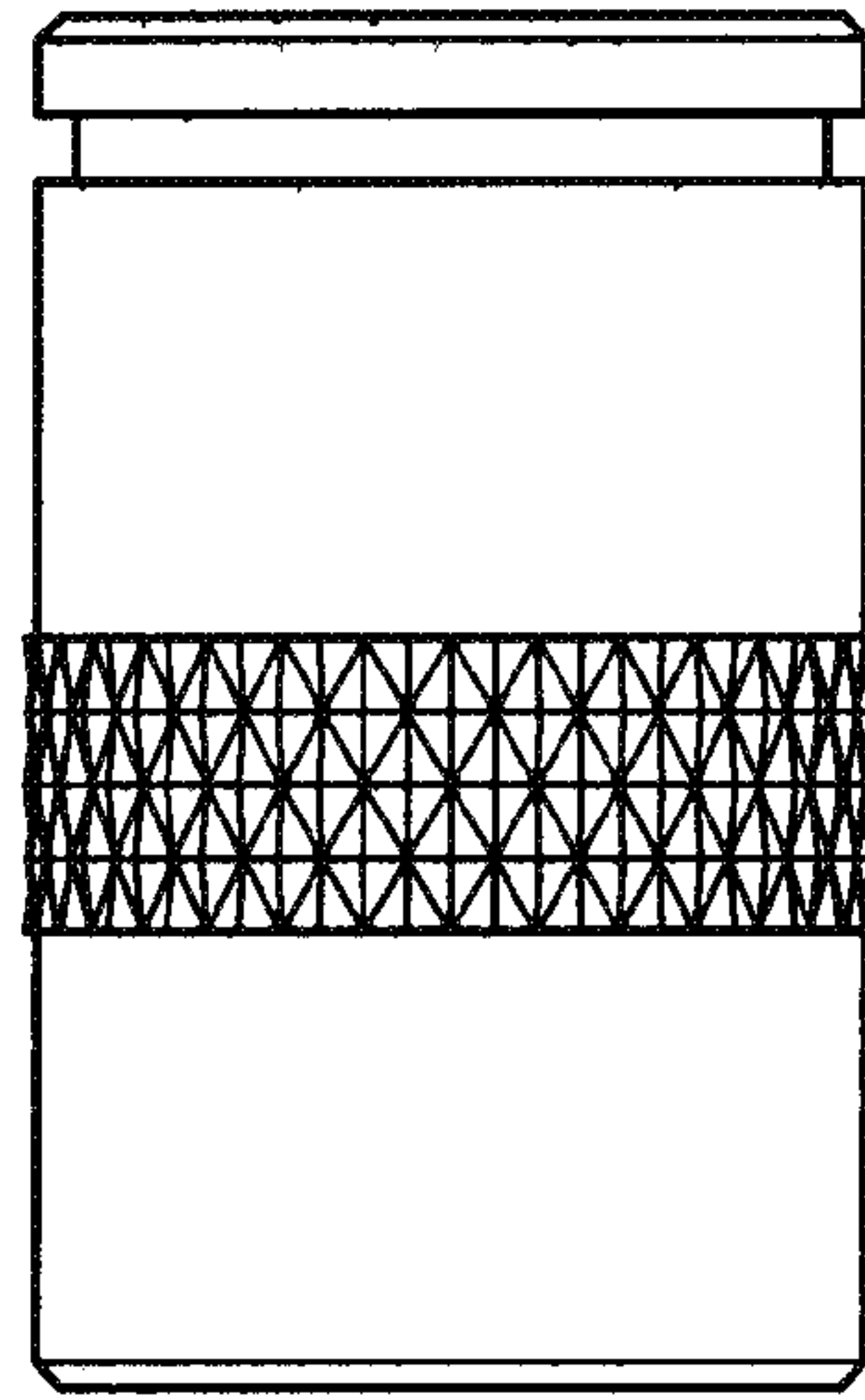


FIG. 3

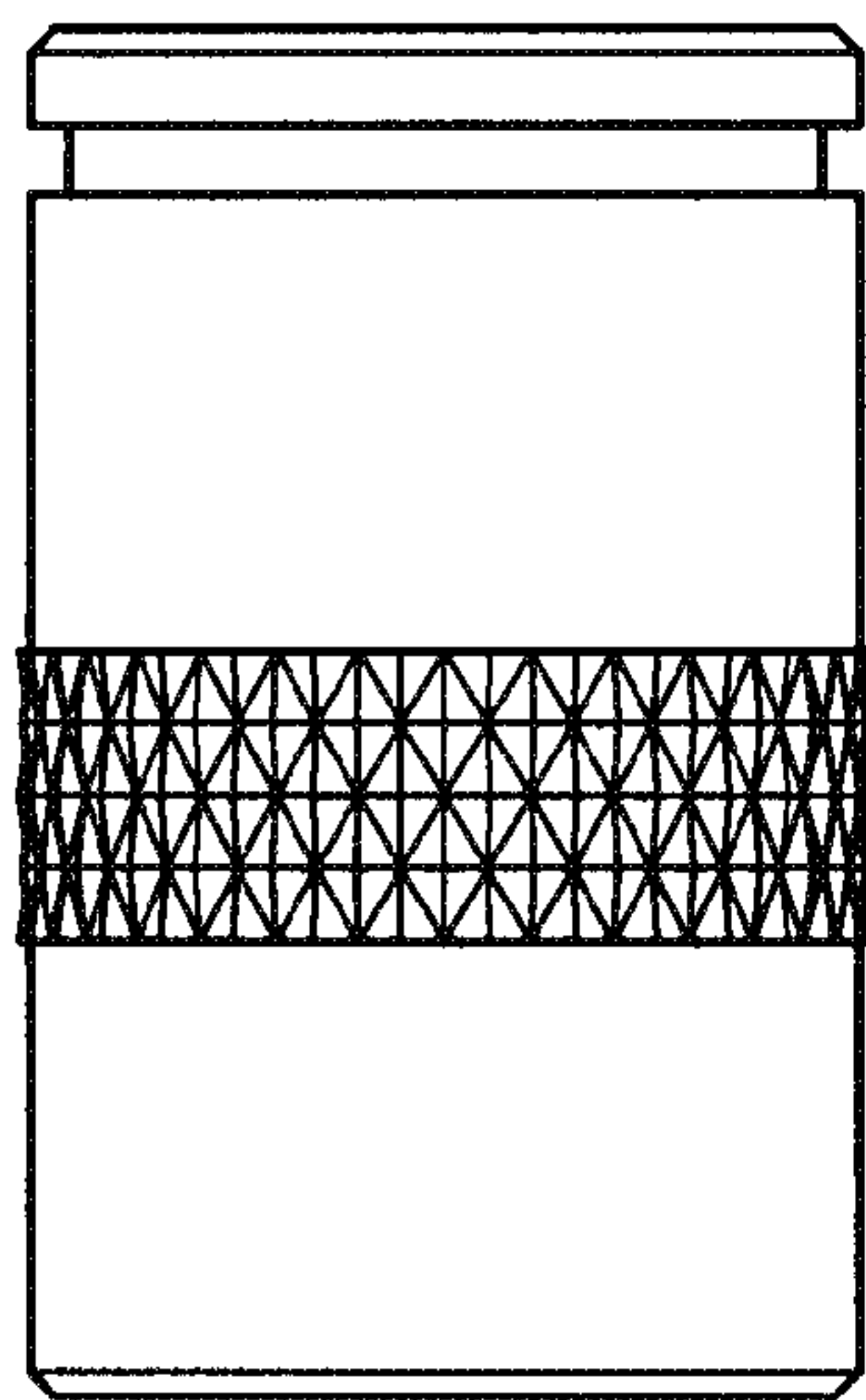


FIG. 4

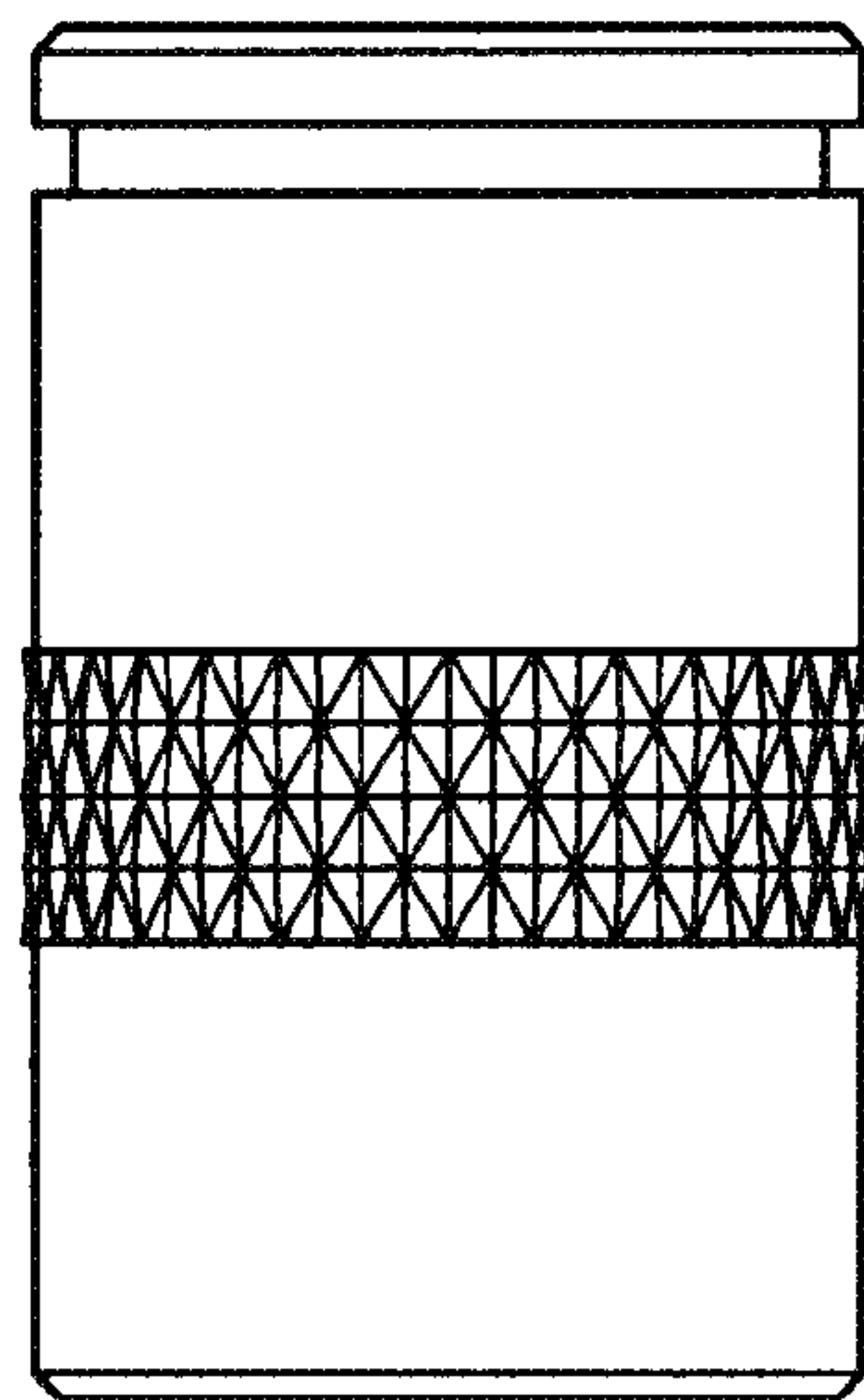


FIG. 5

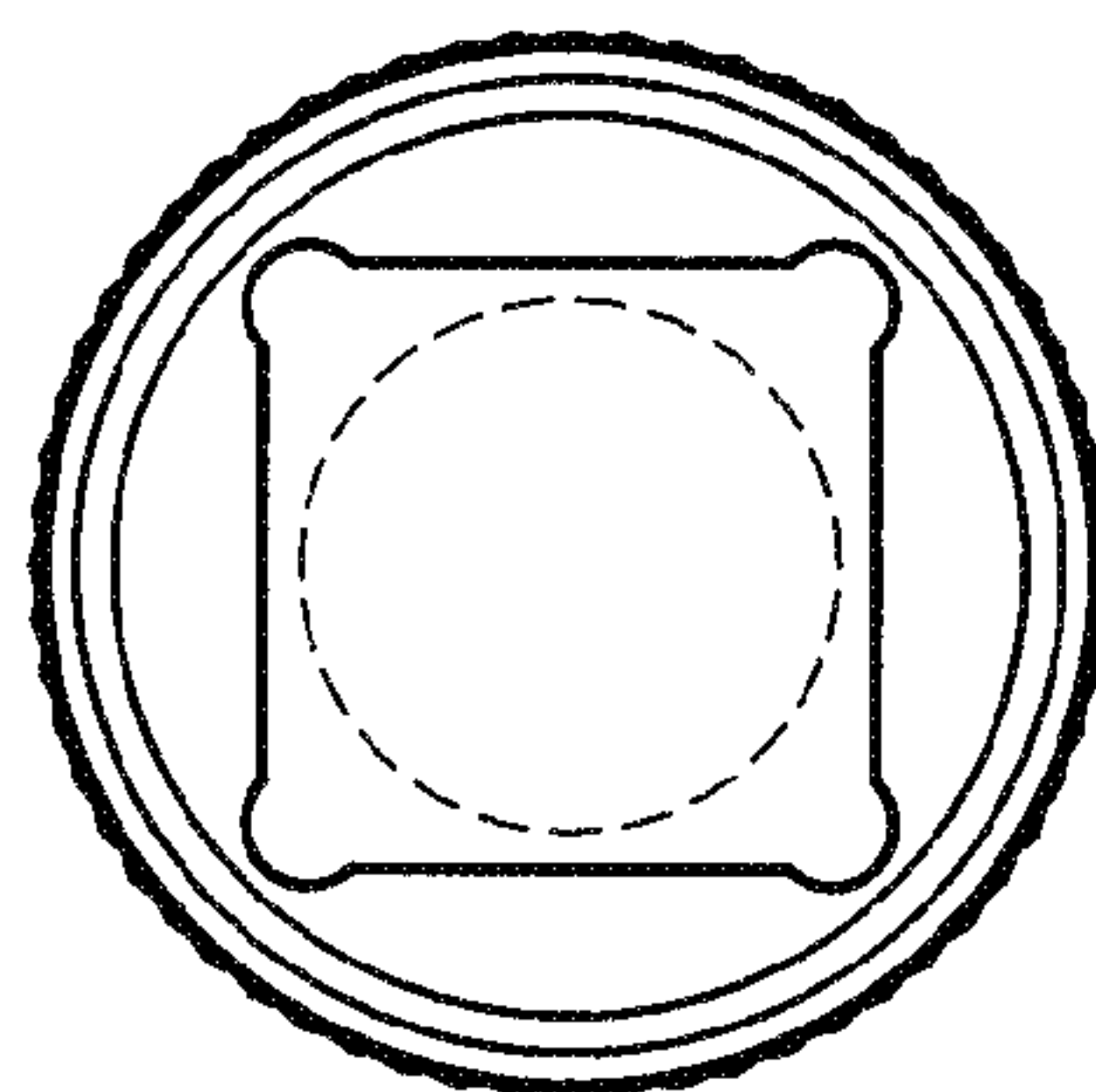


FIG. 6

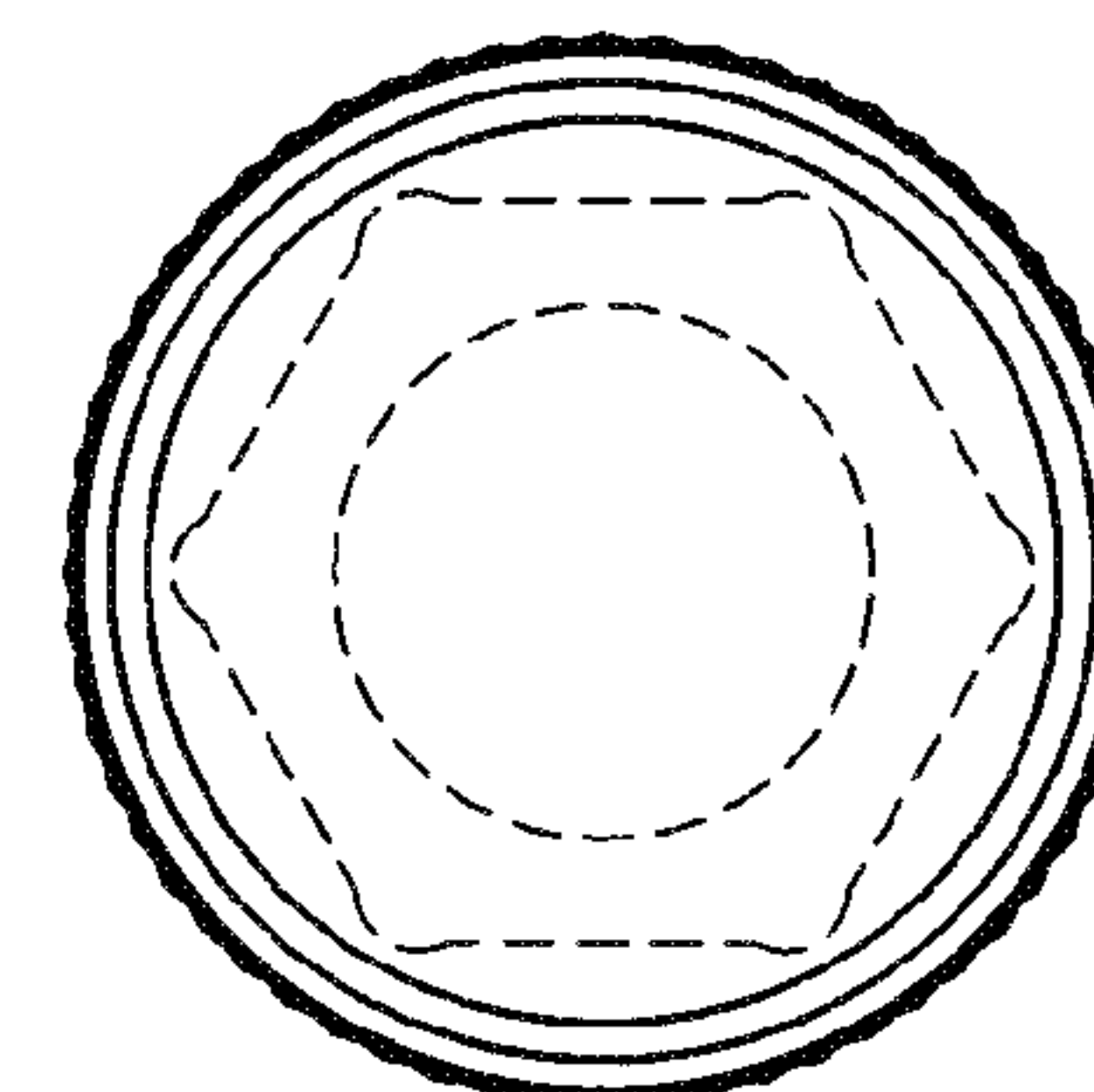


FIG. 7