



US00D776503S

(12) **United States Design Patent**
Chang

(10) **Patent No.:** **US D776,503 S**

(45) **Date of Patent:** **** Jan. 17, 2017**

- (54) **HANDLE FOR HAND TOOL**
- (71) Applicant: **Chih-Min Chang**, Xiushui Township,
Changhua County (CN)
- (72) Inventor: **Chih-Min Chang**, Xiushui Township,
Changhua County (CN)
- (**) Term: **15 Years**
- (21) Appl. No.: **29/542,428**
- (22) Filed: **Oct. 14, 2015**
- (51) **LOC (10) Cl.** **08-05**
- (52) **U.S. Cl.**
USPC **D8/28**
- (58) **Field of Classification Search**
USPC D8/17, 21-29; 81/58, 58.2, 119, 124.2,
81/124.4, 125.1, 186
CPC B25B 13/02; B25B 13/08; B25B 13/04;
B25B 13/065
See application file for complete search history.

- D636,649 S * 4/2011 Christopher D8/28
- D658,462 S * 5/2012 Hsieh D8/28
- D660,110 S * 5/2012 Yang D8/25
- D661,560 S * 6/2012 Chang D8/28
- D679,969 S * 4/2013 Beckwith D8/28

* cited by examiner

Primary Examiner — Randall Gholson

(74) *Attorney, Agent, or Firm* — Muncy, Geissler, Olds & Lowe, P.C.

(57) **CLAIM**

The ornamental design for a handle for hand tool, as shown and described.

DESCRIPTION

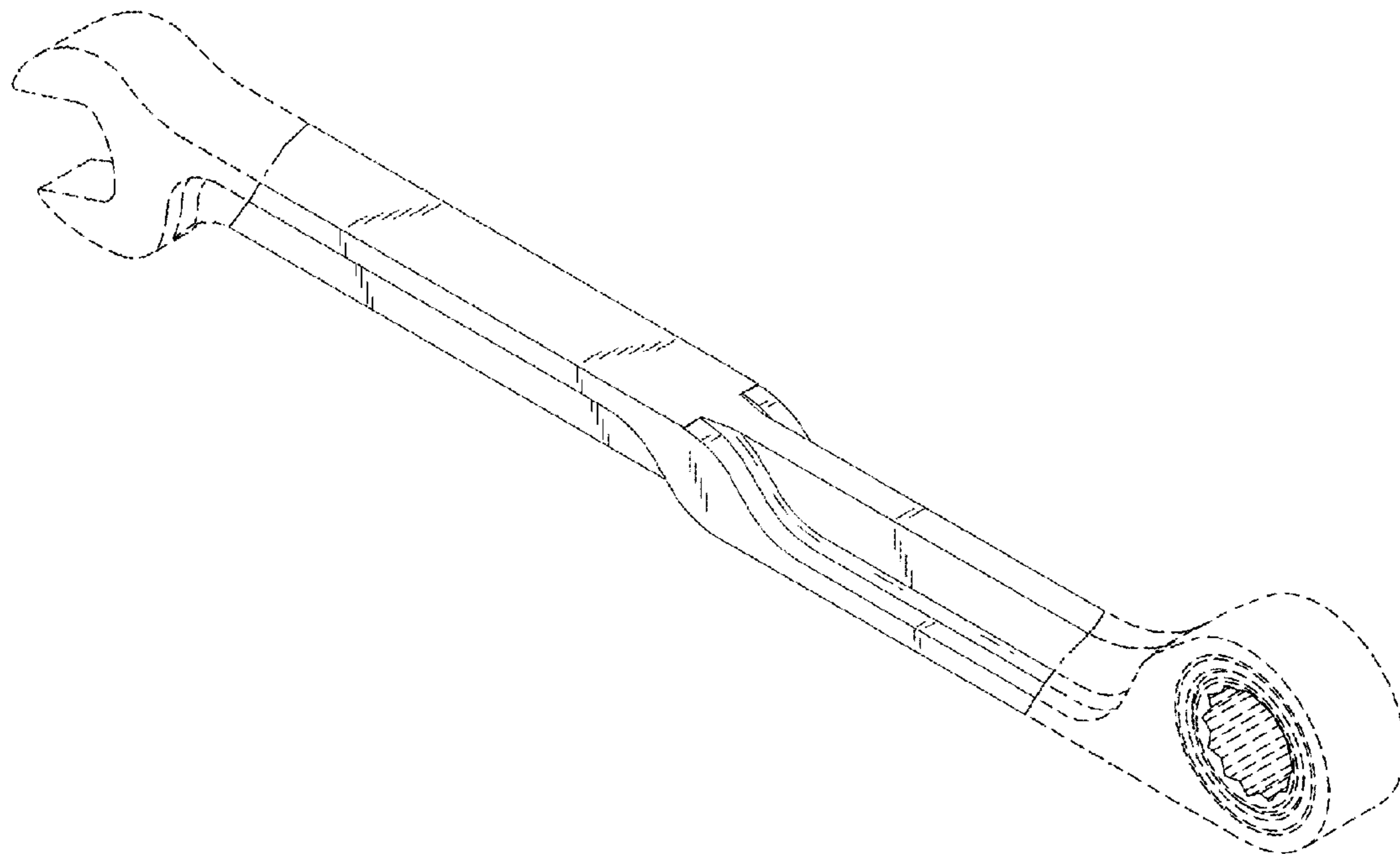
FIG. 1 is a perspective view of the present design;
 FIG. 2 is a front view of the present design;
 FIG. 3 is a rear view of the present design;
 FIG. 4 is a left side view of the present design;
 FIG. 5 is a right side view of the present design;
 FIG. 6 is a top view of the present design; and,
 FIG. 7 is a bottom view of the present design.
 The evenly spaced broken lines depict portions of the handle for hand tool that form no part of the claimed design. The long and short broken lines indicate the boundary of the claimed design.

1 Claim, 4 Drawing Sheets

(56) **References Cited**

U.S. PATENT DOCUMENTS

- D481,276 S * 10/2003 Hu D8/28
- D496,238 S * 9/2004 Hsien D8/28
- D499,619 S * 12/2004 Hsien D8/28
- D562,655 S * 2/2008 Chen D8/28



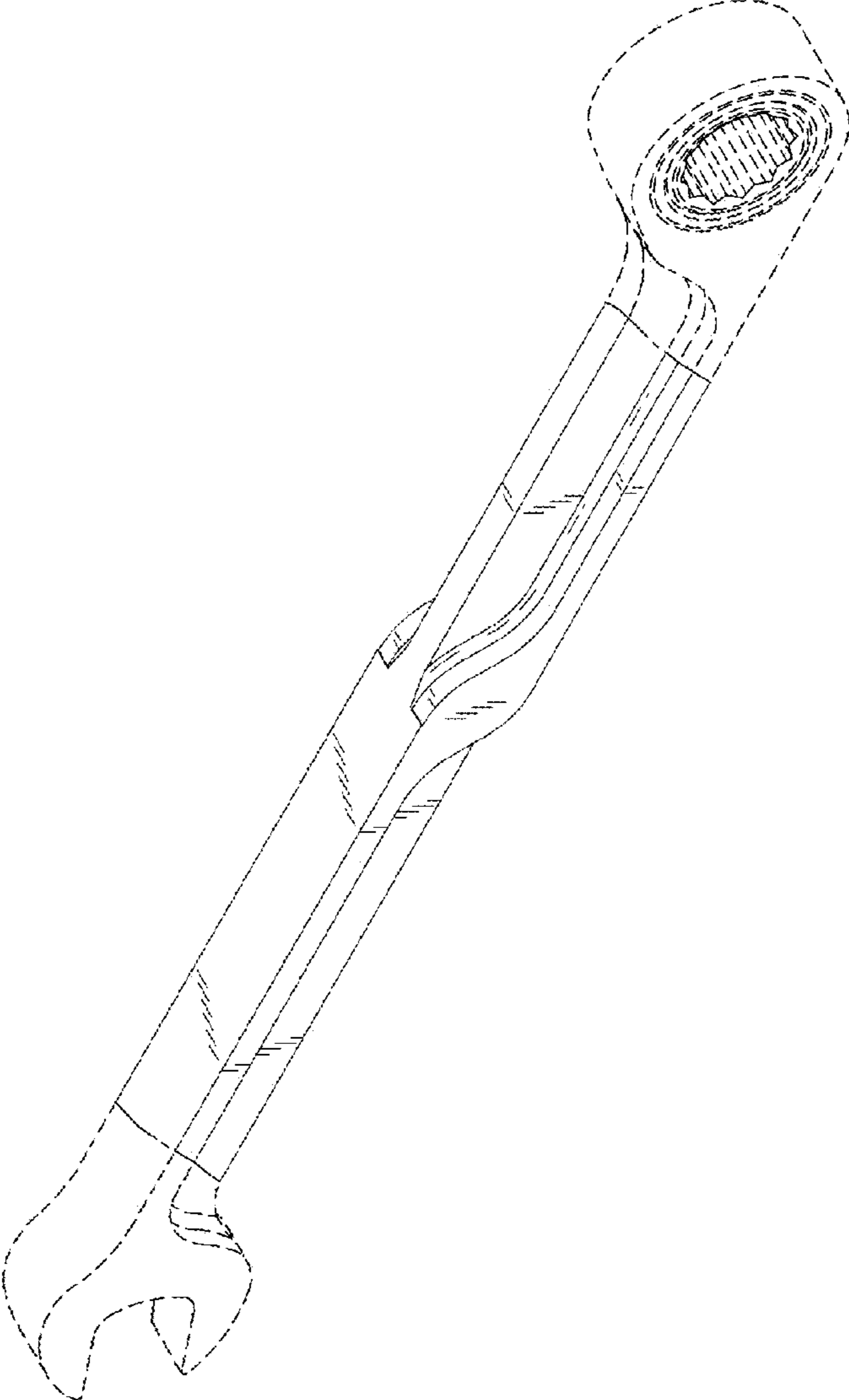


FIG. 1

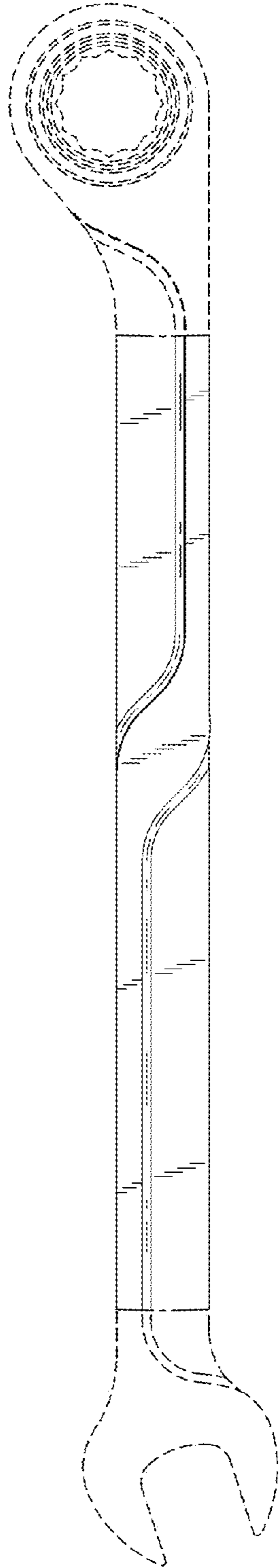


FIG. 2

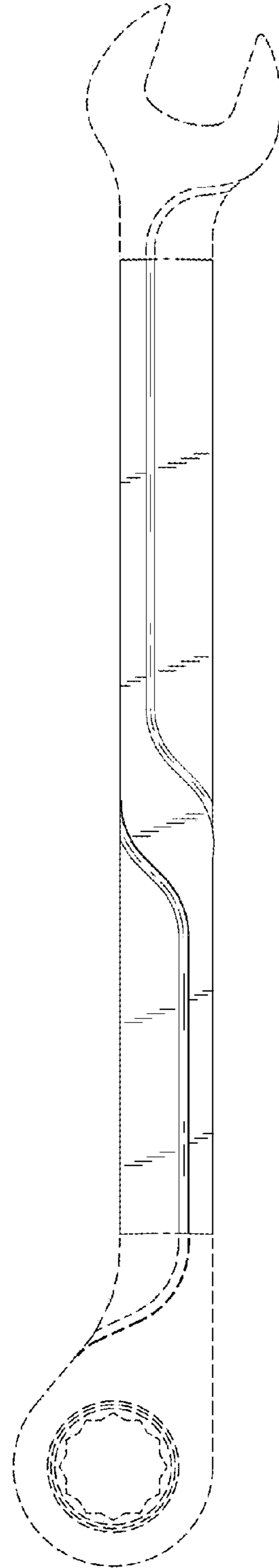


FIG. 3



FIG. 5

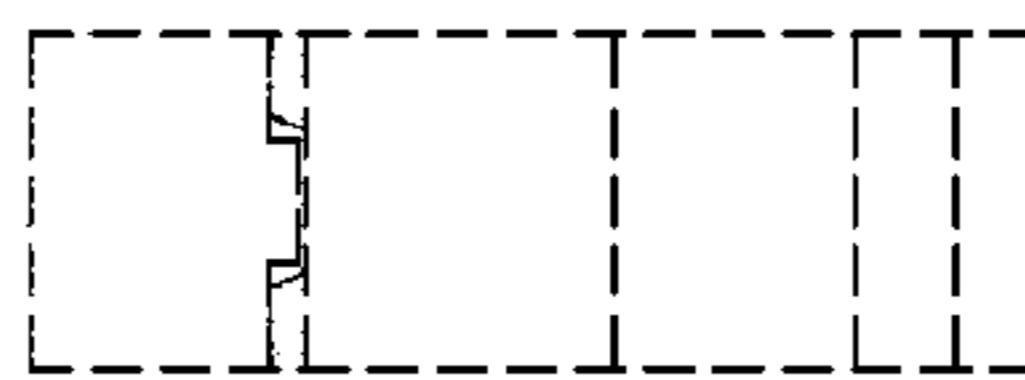


FIG. 4

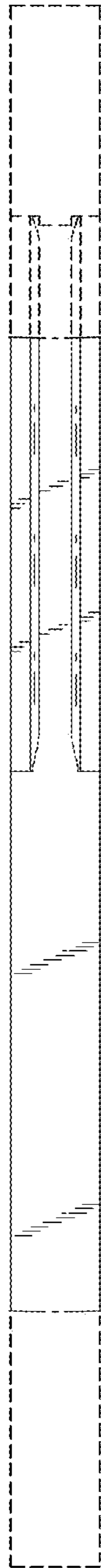


FIG. 6

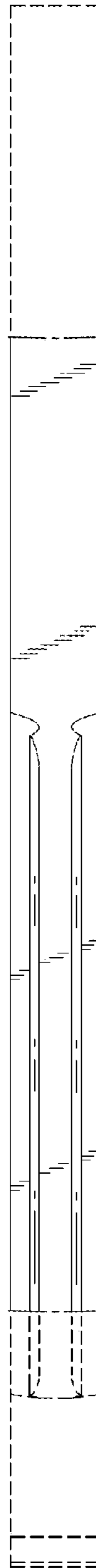


FIG. 7