



US00D776502S

(12) **United States Design Patent**
Wyman

(10) **Patent No.:** **US D776,502 S**
(45) **Date of Patent:** **** Jan. 17, 2017**

- (54) **HEAD COMPONENT FOR A PUSH-PULL TOOL**
- (71) Applicant: **Kenneth E. Wyman**, Hanna City, IL (US)
- (72) Inventor: **Kenneth E. Wyman**, Hanna City, IL (US)
- (**) Term: **15 Years**
- (21) Appl. No.: **29/540,054**
- (22) Filed: **Sep. 21, 2015**
- (51) **LOC (10) Cl.** **08-05**
- (52) **U.S. Cl.**
USPC **D8/14**
- (58) **Field of Classification Search**
USPC ... D8/14, 1, 51, 47, 71, 308, 367, 349, 402;
D25/137, 134, 42; D21/484
CPC B25J 1/04; B25J 15/00
See application file for complete search history.

- D608,625 S * 1/2010 Mercado D8/380
- 8,177,191 B2 * 5/2012 Liou B25F 1/00
254/115
- D665,879 S * 8/2012 Flowers D23/252
- 9,162,351 B2 * 10/2015 Liou B25F 1/00
- D756,742 S * 5/2016 Nishida Watson D8/308

* cited by examiner

Primary Examiner — Phillip S Hyder

(74) *Attorney, Agent, or Firm* — Anthony Y. Wen; Neal, Gerber & Eisenberg LLP

(57) **CLAIM**

The ornamental design for the head component for a push-pull tool, as shown and described in the accompanying drawings.

DESCRIPTION

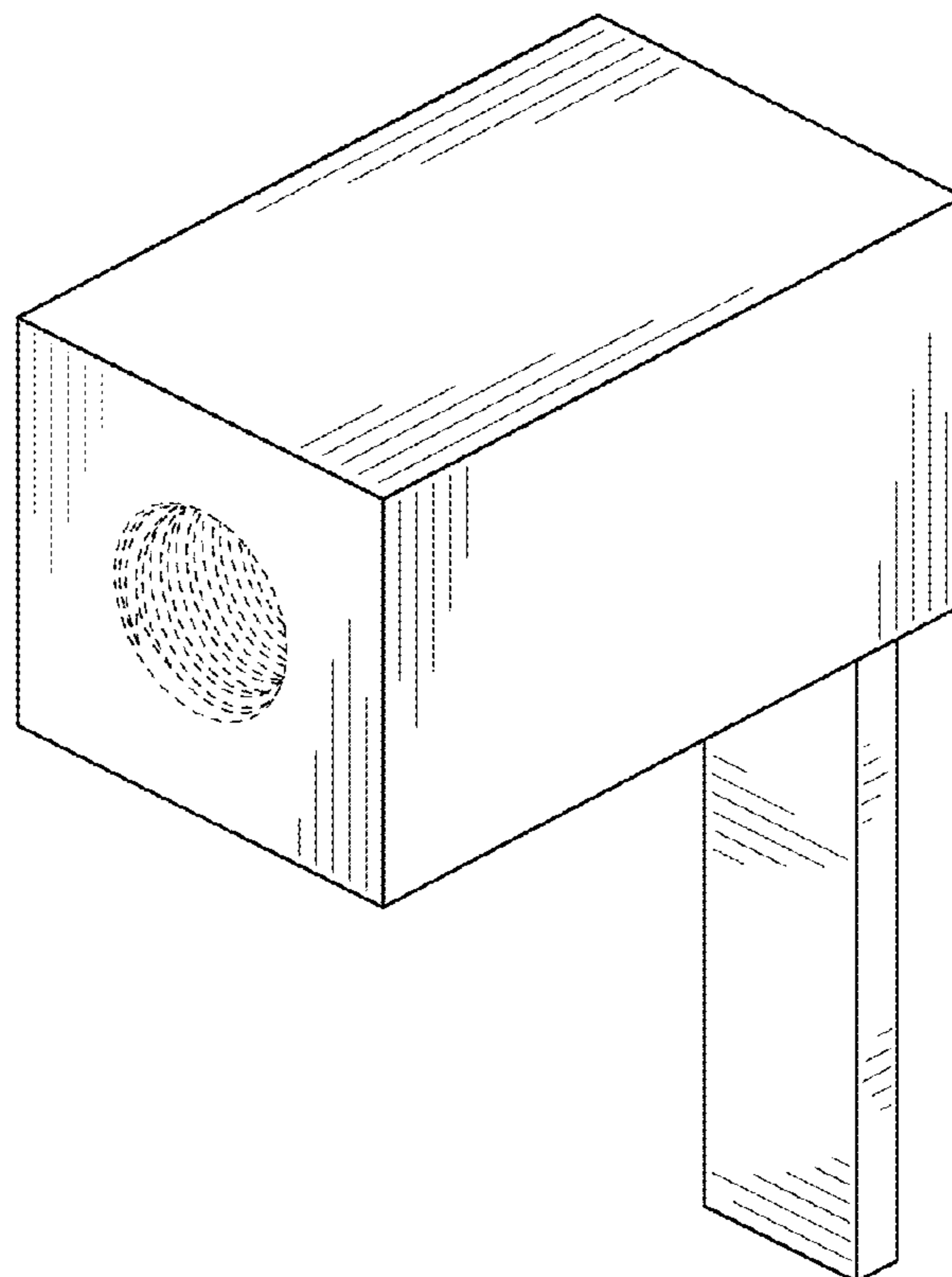
FIG. 1 is an isometric view of the head component for a push-pull tool;
FIG. 2 is a front elevational view thereof;
FIG. 3 is a rear elevational view thereof;
FIG. 4 is a side elevational view thereof, the opposing side being a mirror image of FIG. 4;
FIG. 5 is a top plan view thereof; and,
FIG. 6 is a bottom plan view thereof.
The broken lines in the drawings illustrate the portions of the design that form no part of the claim.

1 Claim, 3 Drawing Sheets

(56) **References Cited**

U.S. PATENT DOCUMENTS

- 5,044,033 A * 9/1991 Fosberg A62B 3/005
30/123
- 5,331,223 A * 7/1994 Nishijima H04N 5/268
327/355
- 6,591,728 B1 * 7/2003 Grondahl B23K 37/0408
30/371
- D602,574 S * 10/2009 Downey D23/252



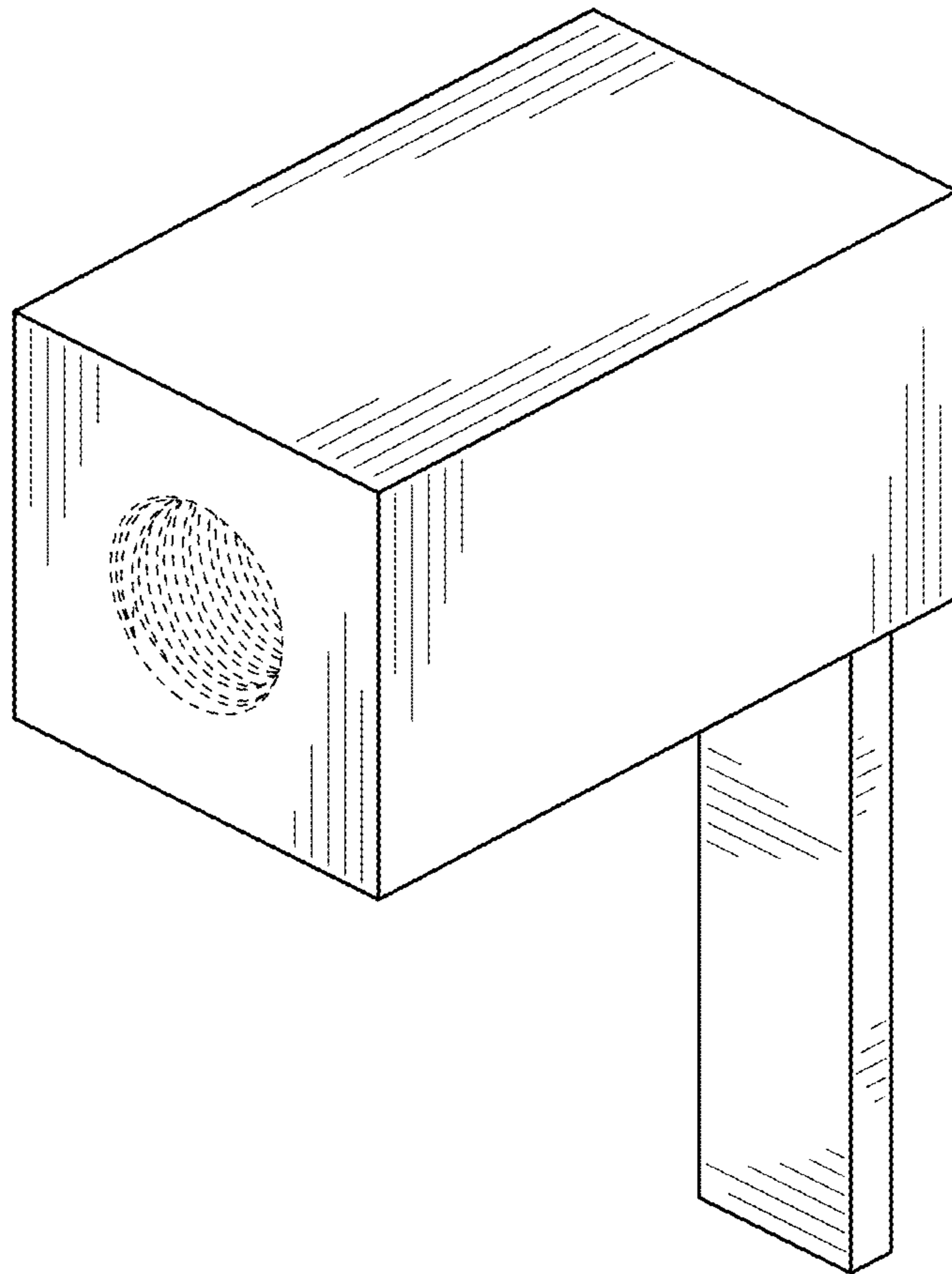


FIG. 1

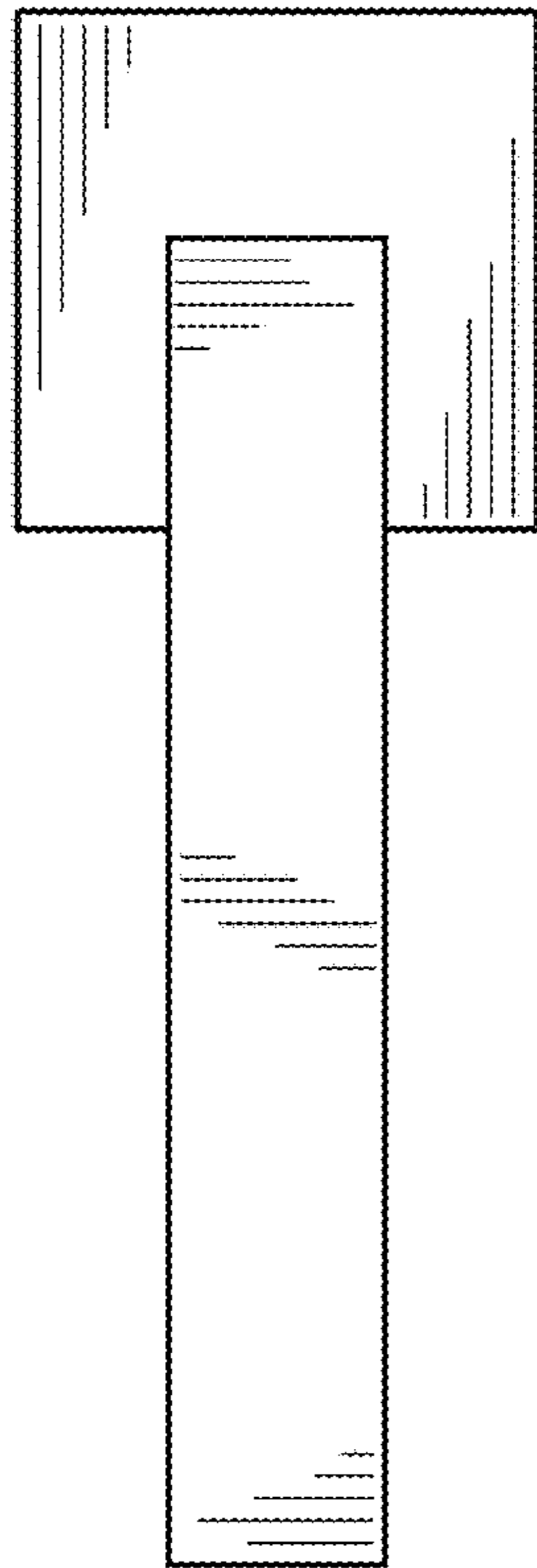


FIG. 2

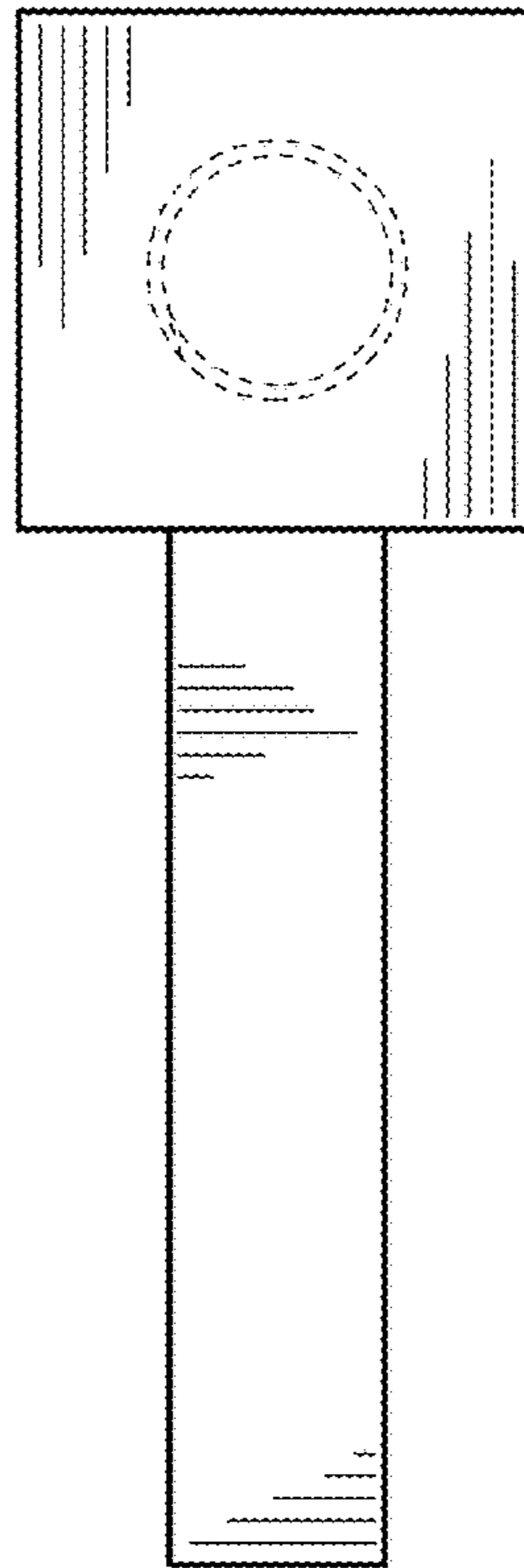


FIG. 3

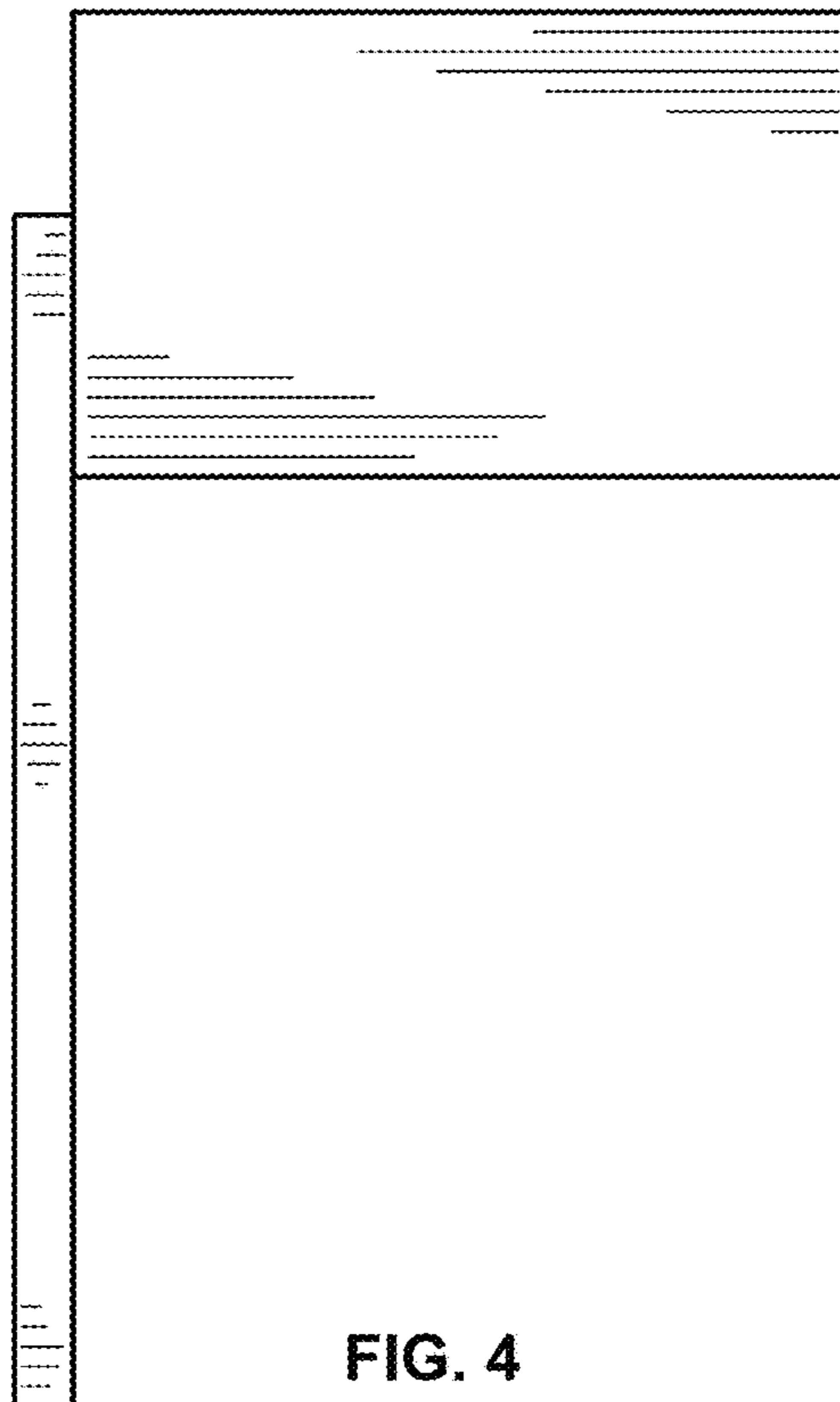


FIG. 4

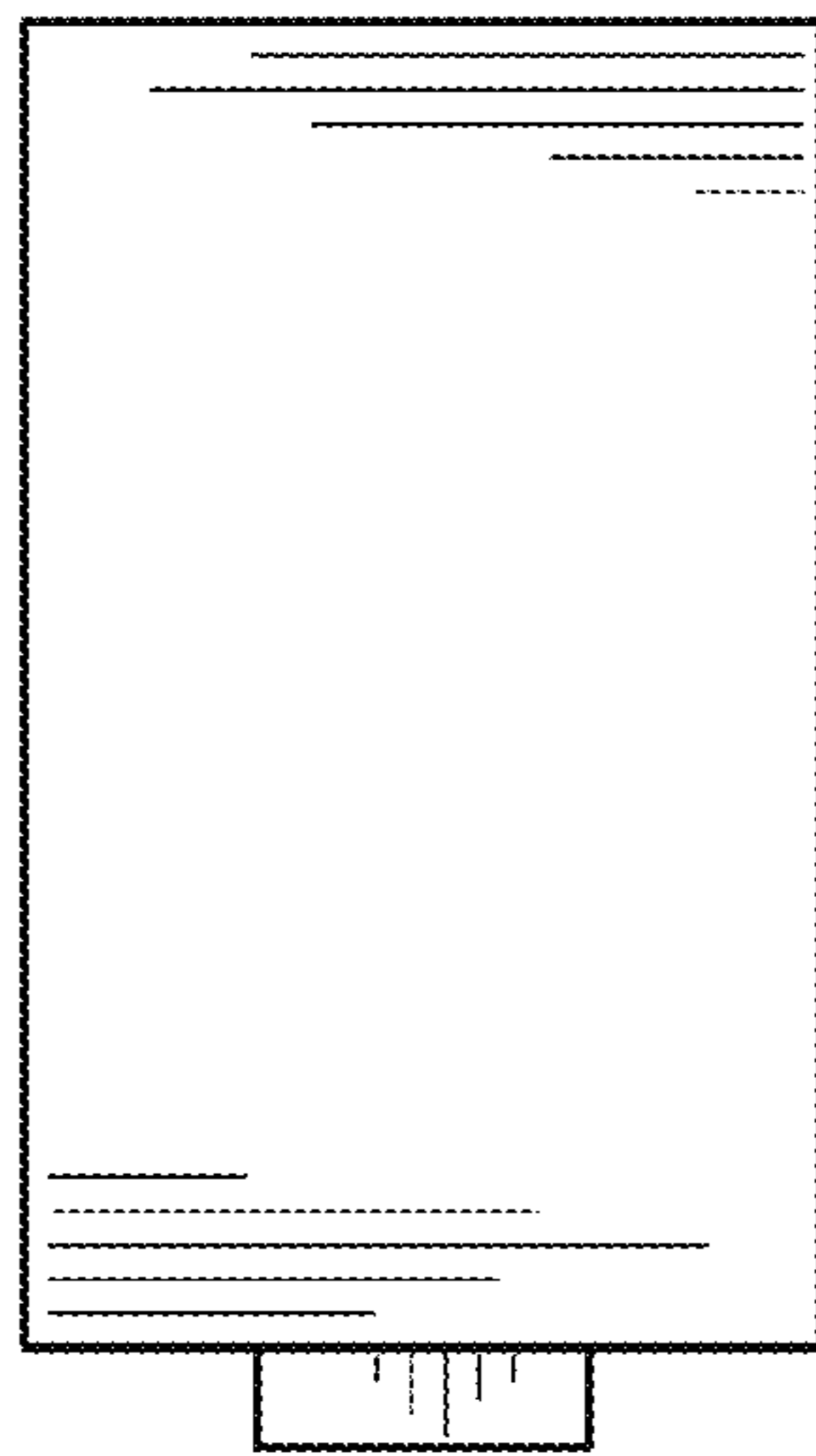


FIG. 5



FIG. 6