



US00D776497S

(12) **United States Design Patent**
Livingston

(10) **Patent No.:** **US D776,497 S**
(45) **Date of Patent:** **** Jan. 17, 2017**

(54) **GRILLING GLOVE WITH INTEGRAL FOOD HANDLING TOOL**

2007/0187963 A1 8/2007 Repp et al.
2007/0210596 A1 9/2007 Stewart et al.
2014/0245517 A1 9/2014 Henry et al.

(71) Applicant: **Ben Livingston**, Lascassas, TN (US)

* cited by examiner

(72) Inventor: **Ben Livingston**, Lascassas, TN (US)

Primary Examiner — Terry Wallace

(**) Term: **15 Years**

(74) *Attorney, Agent, or Firm* — Lucian Wayne Beavers;
Patterson Intellectual Property Law PC

(21) Appl. No.: **29/536,597**

(22) Filed: **Aug. 18, 2015**

(51) **LOC (10) Cl.** **07-04**

(52) **U.S. Cl.**
USPC **D7/686; D29/118**

(58) **Field of Classification Search**
USPC D7/669, 686, 692, 683, 685, 688;
D29/117.1-119

CPC .. A41D 19/01; A41D 19/0003; A41D 13/081;
A47J 43/283; A47G 21/10

See application file for complete search history.

(57) **CLAIM**

The ornamental design for a grilling glove with integral food handling tool, as shown and described.

DESCRIPTION

FIG. 1 is a top end perspective view of the grilling glove with integral food handling tool.

FIG. 2 is a bottom end perspective of the grilling glove with integral food handling tool of FIG. 1.

FIG. 3 is a front elevation view of the grilling glove with integral food handling tool of FIG. 1.

FIG. 4 is a left side elevation view of the grilling glove with integral food handling tool of FIG. 1.

FIG. 5 is a right side elevation view of the grilling glove with integral food handling tool of FIG. 1.

FIG. 6 is a top end view of the grilling glove with integral food handling tool of FIG. 1.

FIG. 7 is a bottom end view of the grilling glove with integral food handling tool of FIG. 1; and,

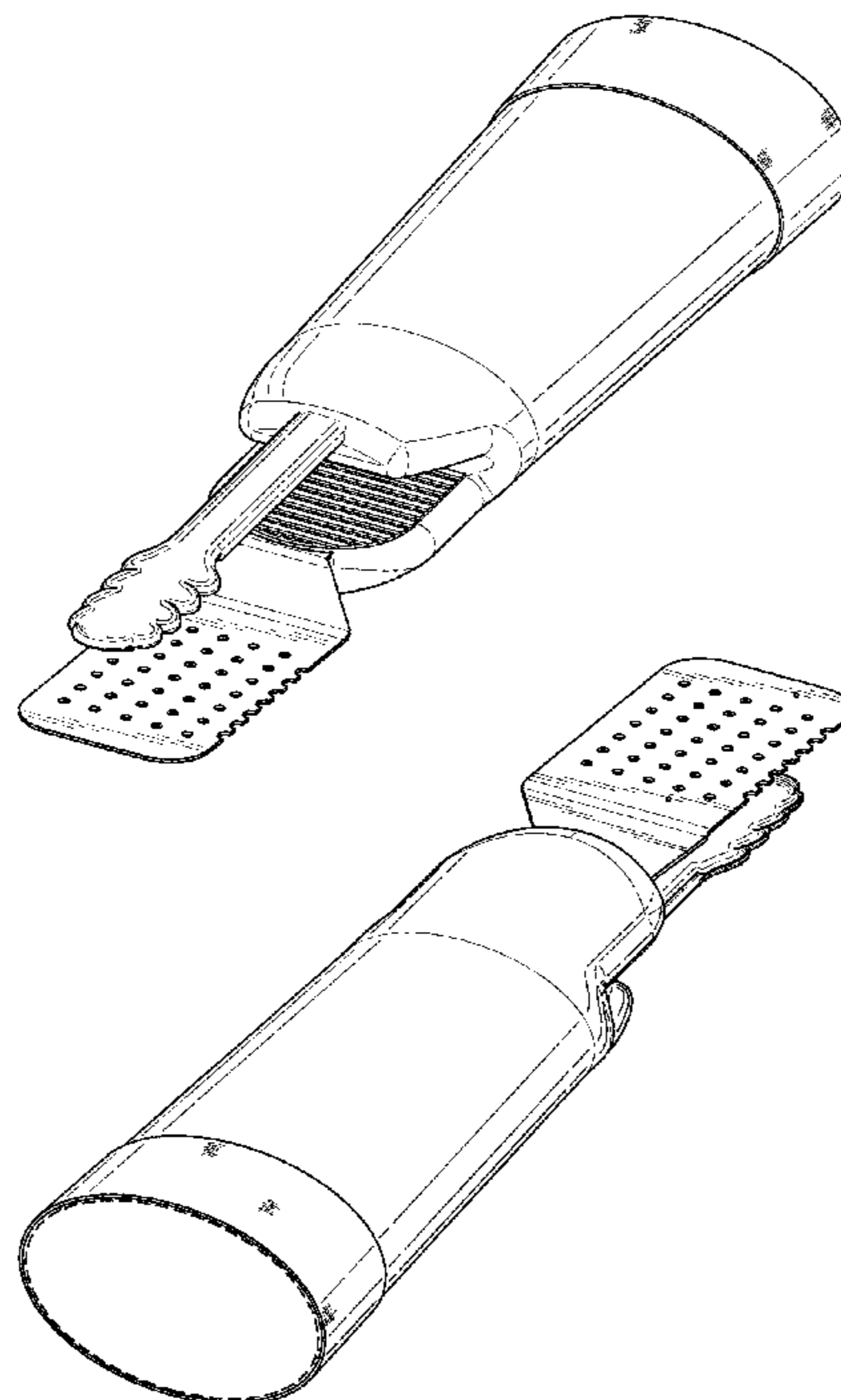
FIG. 8 is a rear elevation view of the grilling glove with integral food handling tool of FIG. 1.

(56) **References Cited**

U.S. PATENT DOCUMENTS

5,878,438 A	3/1999	Ragsdale	
6,532,597 B2 *	3/2003	Bignon A41D 19/0003 15/227
D477,690 S *	7/2003	Howell D29/118
7,086,676 B2 *	8/2006	Sumter A47J 43/283 294/16
D541,115 S	4/2007	Repp et al.	
D570,553 S	6/2008	Bolatzki et al.	
7,546,644 B2	6/2009	Bignon et al.	
7,922,225 B2 *	4/2011	Li A47G 21/10 294/16
D692,284 S *	10/2013	Horito D7/686
8,966,664 B2	3/2015	Walsh	

1 Claim, 3 Drawing Sheets



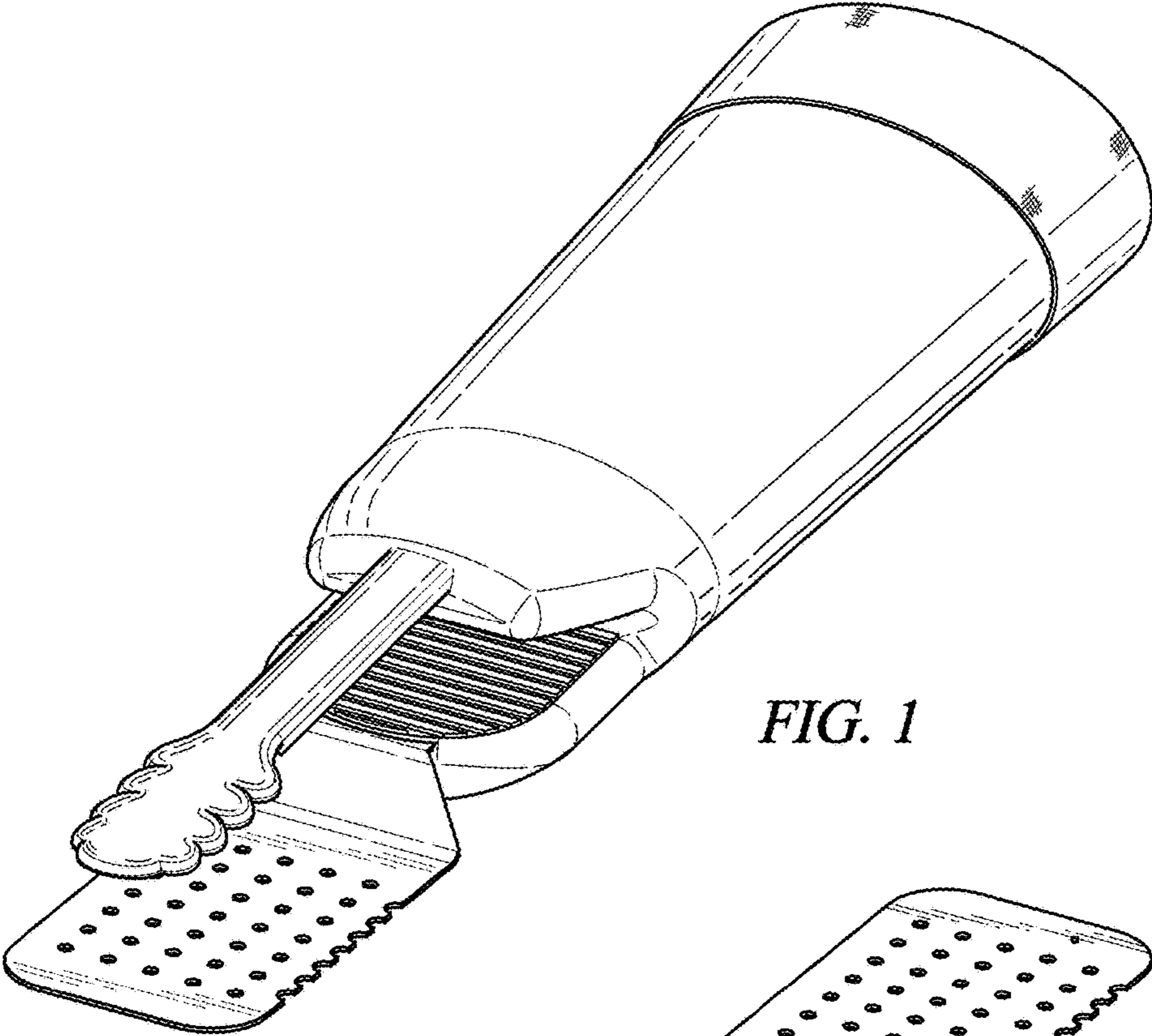


FIG. 1

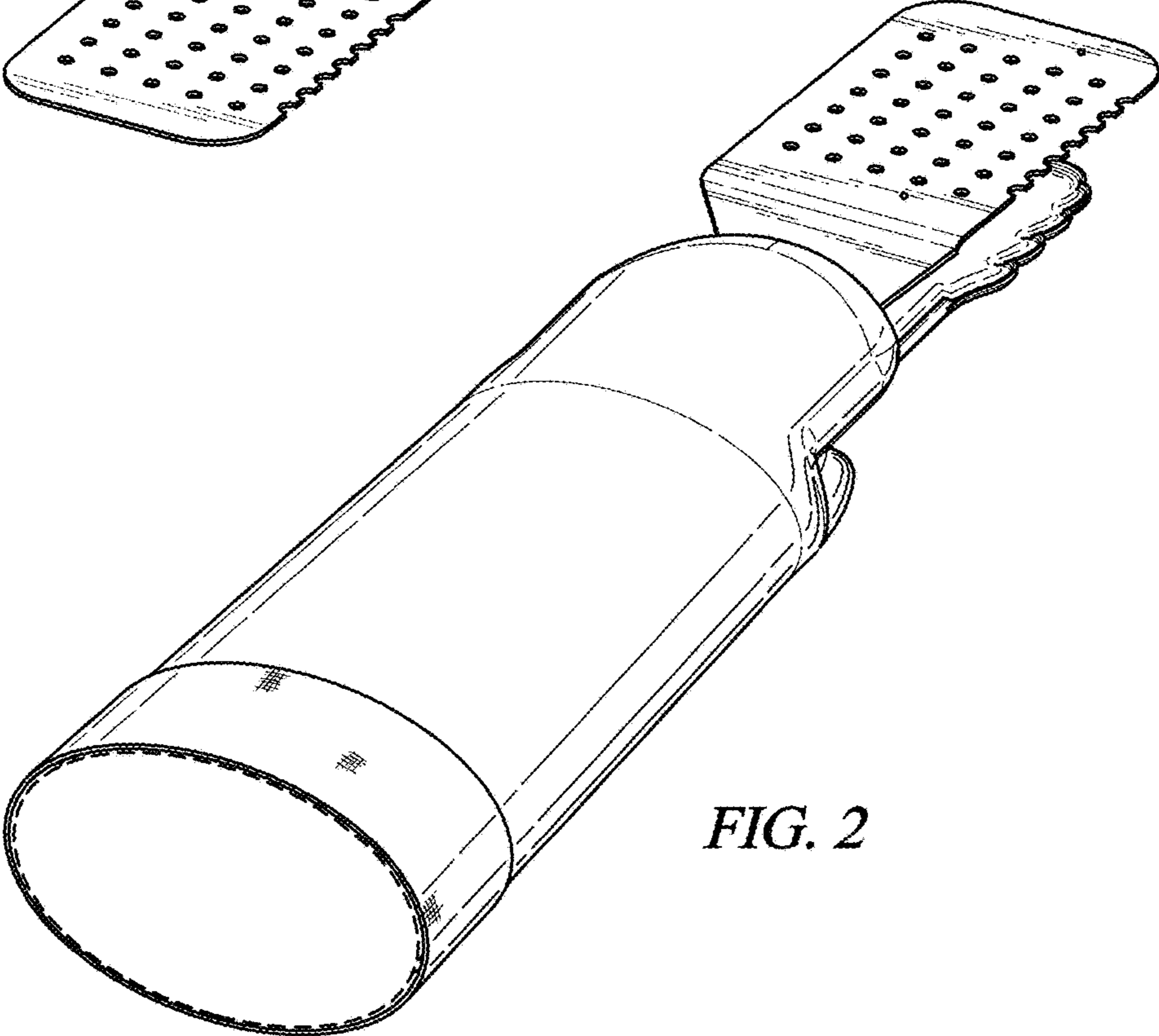


FIG. 2

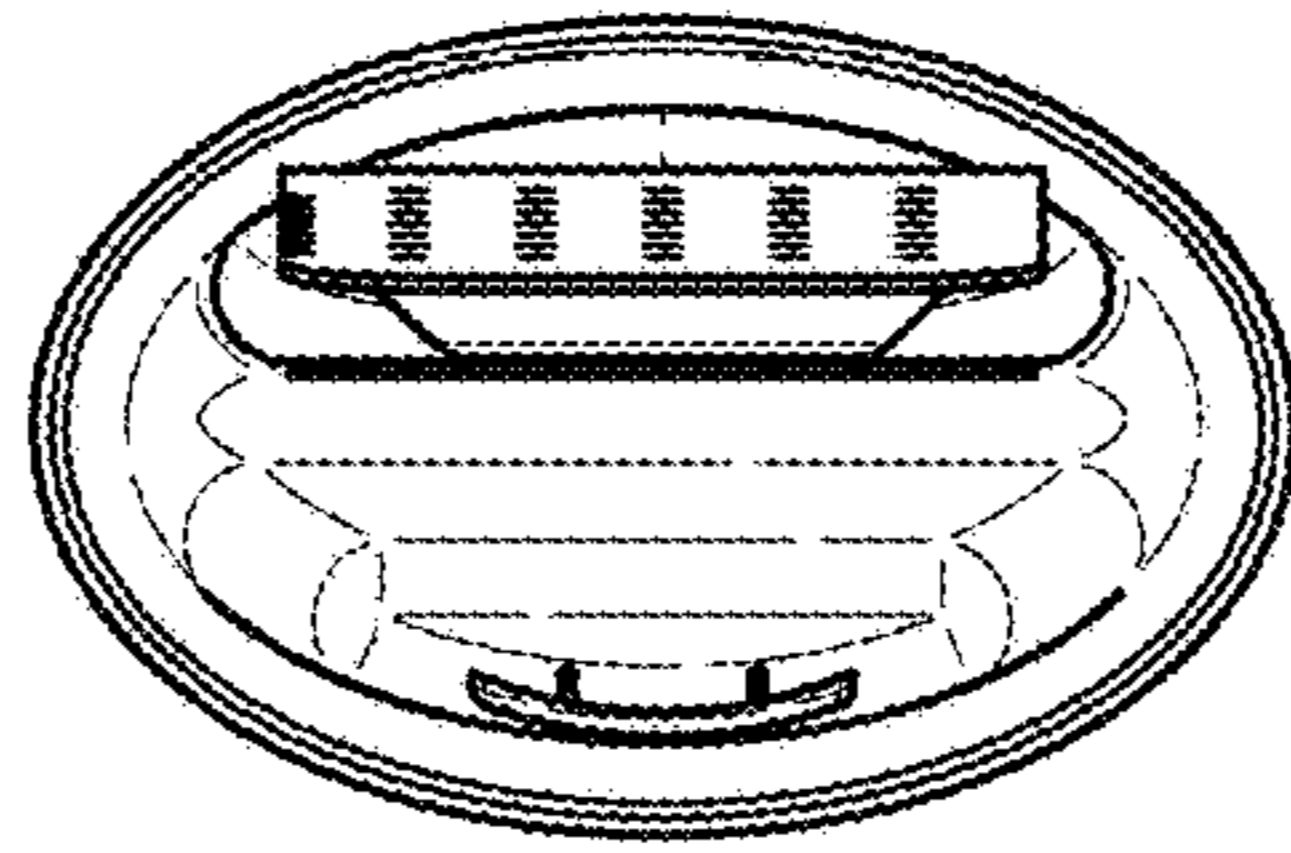


FIG. 6

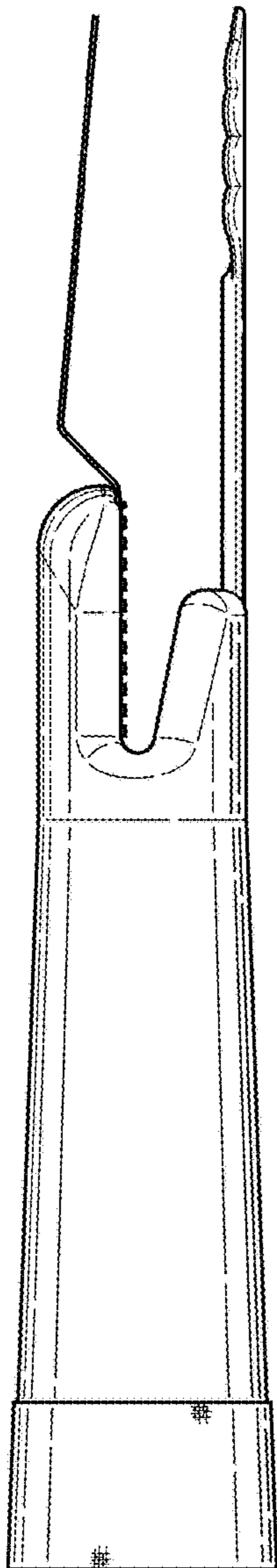


FIG. 4

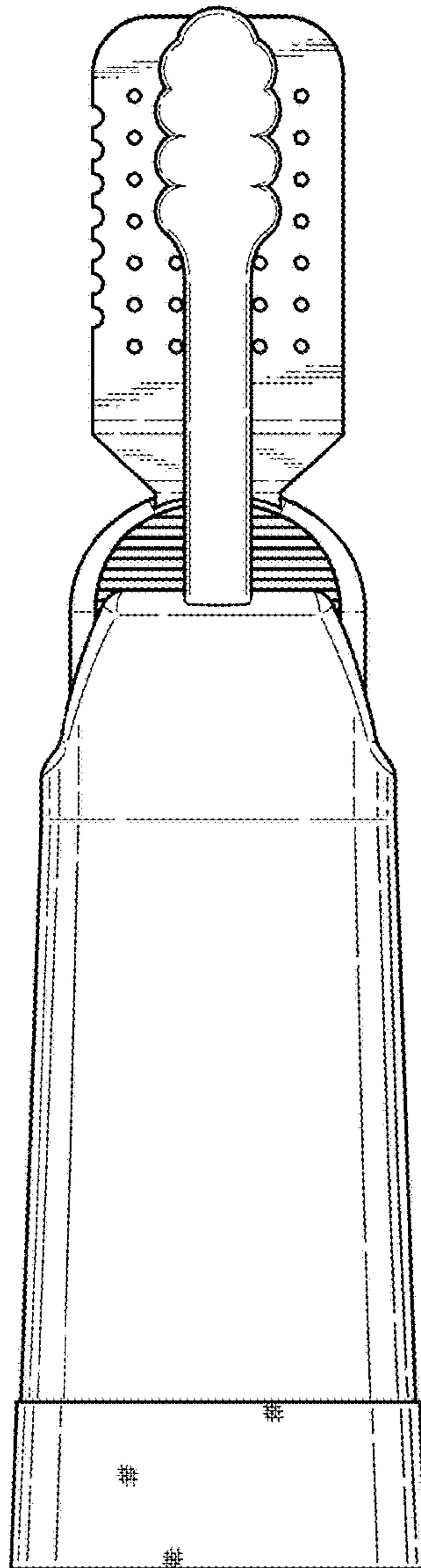


FIG. 3

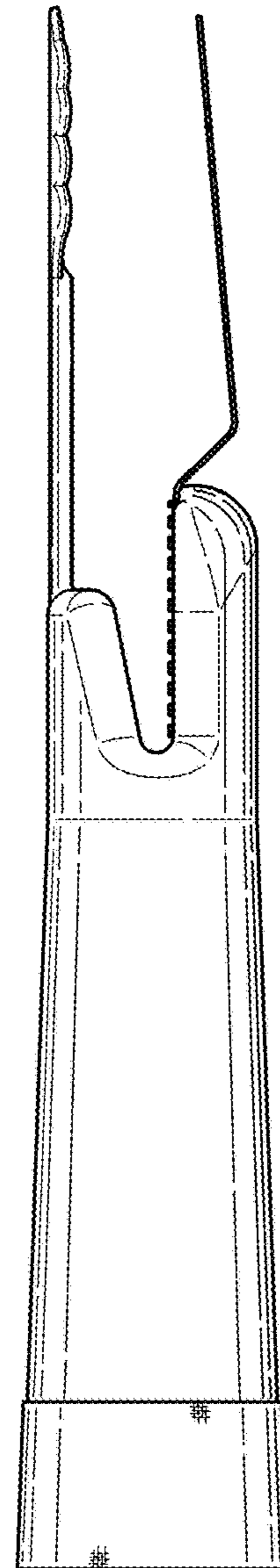


FIG. 5

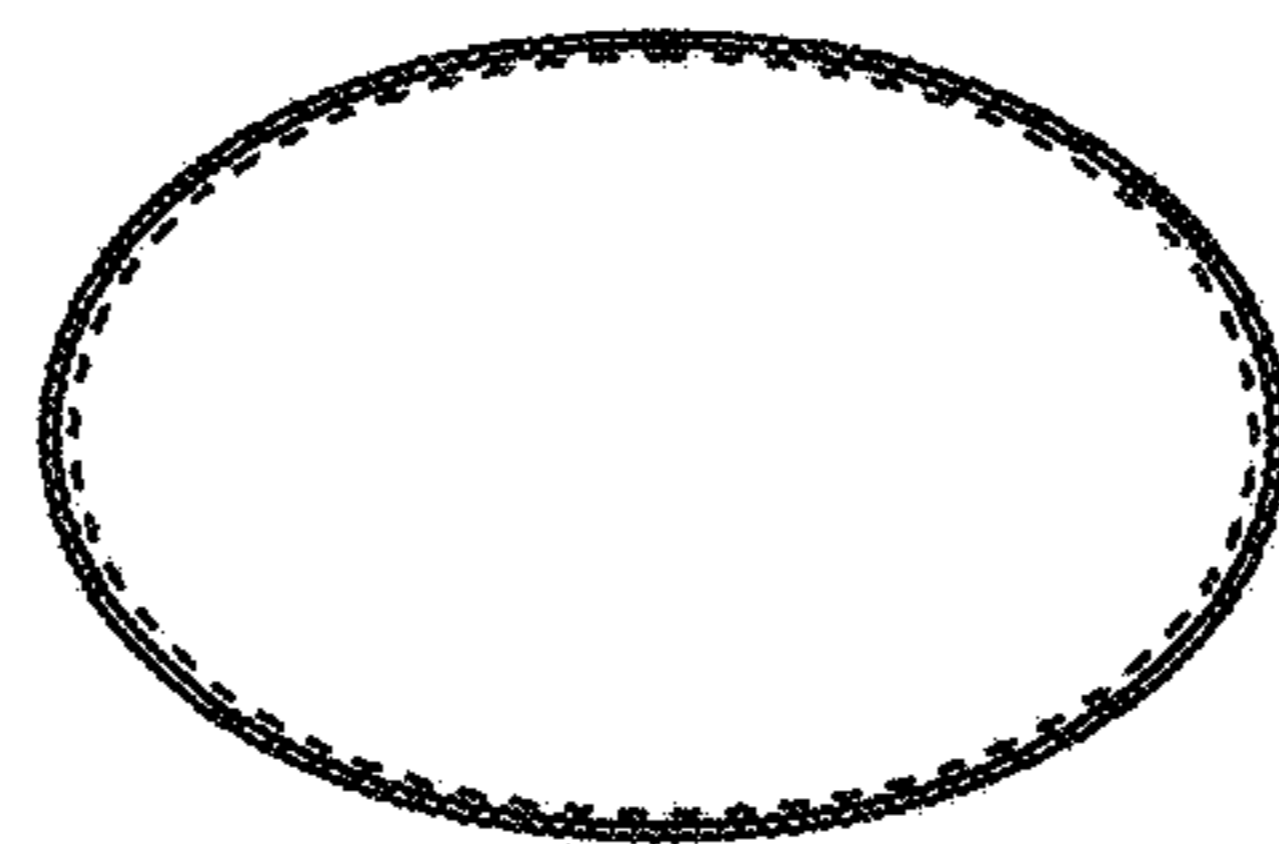


FIG. 7

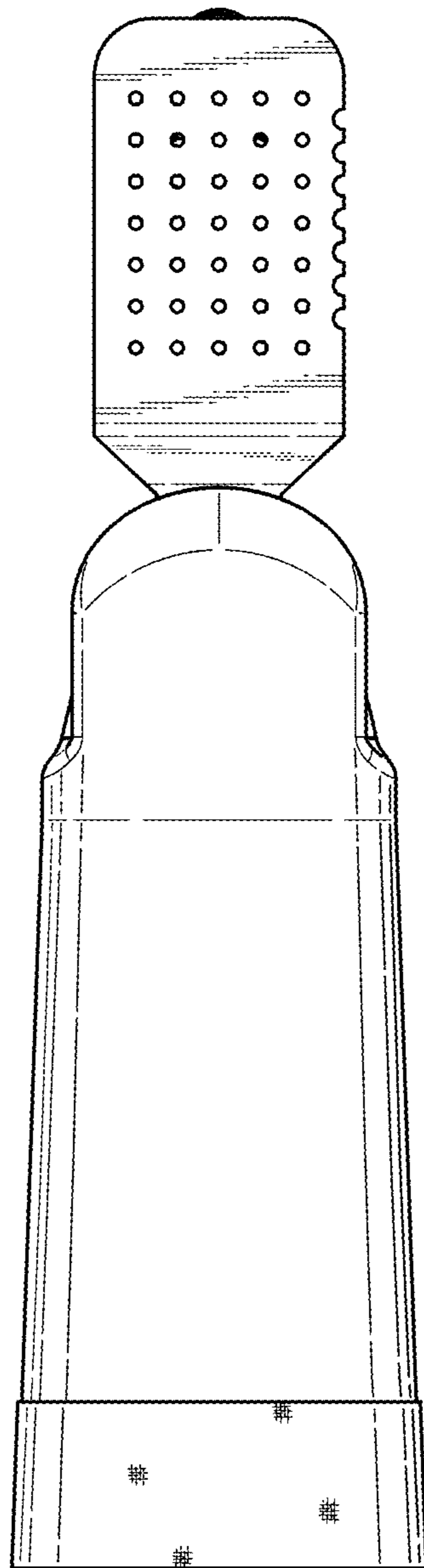


FIG. 8