



US00D776495S

(12) **United States Design Patent** (10) **Patent No.:** **US D776,495 S**
Repac (45) **Date of Patent:** **** Jan. 17, 2017**

(54) **FOOD SLICER**

(71) Applicant: **Genius GmbH**, Limburg (DE)

(72) Inventor: **Cedomir Repac**, Brechen (DE)

(73) Assignee: **GENIUS GMBH**, Limburg (DE)

(**) Term: **14 Years**

(21) Appl. No.: **29/504,618**

(22) Filed: **Oct. 8, 2014**

(30) **Foreign Application Priority Data**

Apr. 8, 2014	(EM)	002442400-0001
Apr. 8, 2014	(EM)	002442400-0002
Apr. 8, 2014	(EM)	002442400-0003
Apr. 8, 2014	(EM)	002442400-0004
Apr. 8, 2014	(EM)	002442400-0005
Apr. 8, 2014	(EM)	002442400-0006
Apr. 8, 2014	(EM)	002442400-0007
Apr. 8, 2014	(EM)	002442400-0008
Apr. 8, 2014	(EM)	002442400-0009
Apr. 8, 2014	(EM)	002442400-0010
Apr. 8, 2014	(EM)	002442400-0011
Apr. 8, 2014	(EM)	002442400-0012
Apr. 8, 2014	(EM)	002442400-0013
Apr. 8, 2014	(EM)	002442400-0014
Apr. 8, 2014	(EM)	002442400-0015
Apr. 8, 2014	(EM)	002442400-0016
Apr. 8, 2014	(EM)	002442400-0017
Apr. 8, 2014	(EM)	002442400-0018
Apr. 8, 2014	(EM)	002442400-0019
Apr. 8, 2014	(EM)	002442400-0020
Apr. 8, 2014	(EM)	002442400-0021

(51) **LOC (10) Cl.** **07-04**

(52) **U.S. Cl.**
USPC **D7/672**

(58) **Field of Classification Search**

USPC D7/629, 672-673, 669, 693; 30/124;
83/167, 432, 853; 99/596; 241/100, 273.1
CPC A21C 15/04; B26D 1/00; B26D 1/01;
B26D 3/26
See application file for complete search history.

(56) **References Cited**

U.S. PATENT DOCUMENTS

D326,388 S *	5/1992	Boerner	D7/673
D354,886 S *	1/1995	Diefenbach	D7/678
5,692,424 A *	12/1997	Wallace	A47J 36/00 83/167

(Continued)

Primary Examiner — Rosemary K Tarcza

Assistant Examiner — James Thorn, Sr.

(74) *Attorney, Agent, or Firm* — Leydig, Voit & Mayer, Ltd.

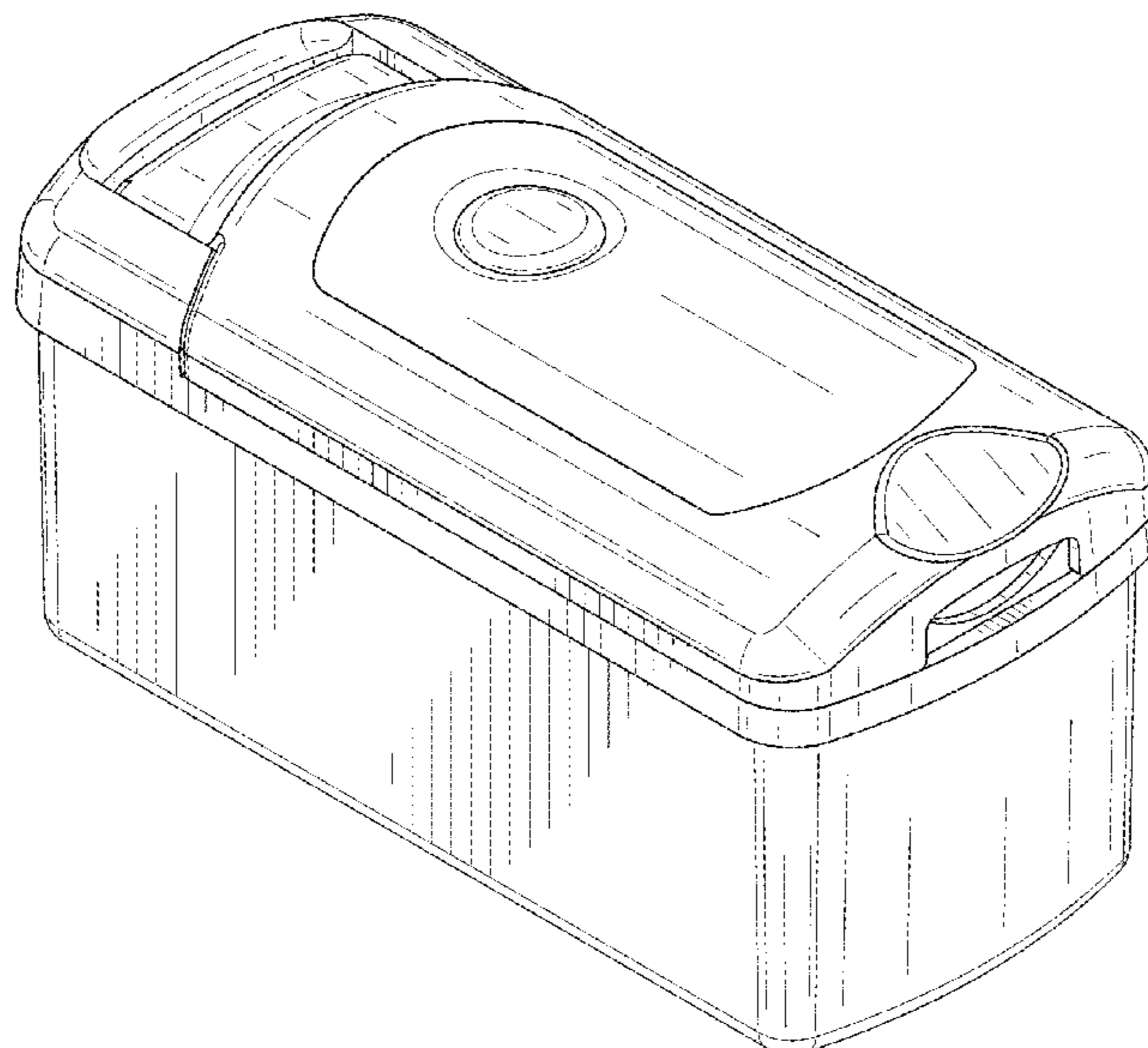
(57) **CLAIM**

The ornamental design for a food slicer, as shown and described above.

DESCRIPTION

FIG. 1 is a top left front perspective view of a food slicer showing my new design;
FIG. 2 is a bottom right back perspective view thereof;
FIG. 3 is a top plan view thereof;
FIG. 4 is a bottom plan view thereof;
FIG. 5 is a rear elevational view thereof;
FIG. 6 is a front elevational view thereof;
FIG. 7 is a right side elevational view thereof; and,
FIG. 8 is a top left rear perspective exploded view thereof. The broken line portions of the drawings show unclaimed subject matter and/or environment for illustrative purposes only and form no part of the claimed design.

1 Claim, 6 Drawing Sheets



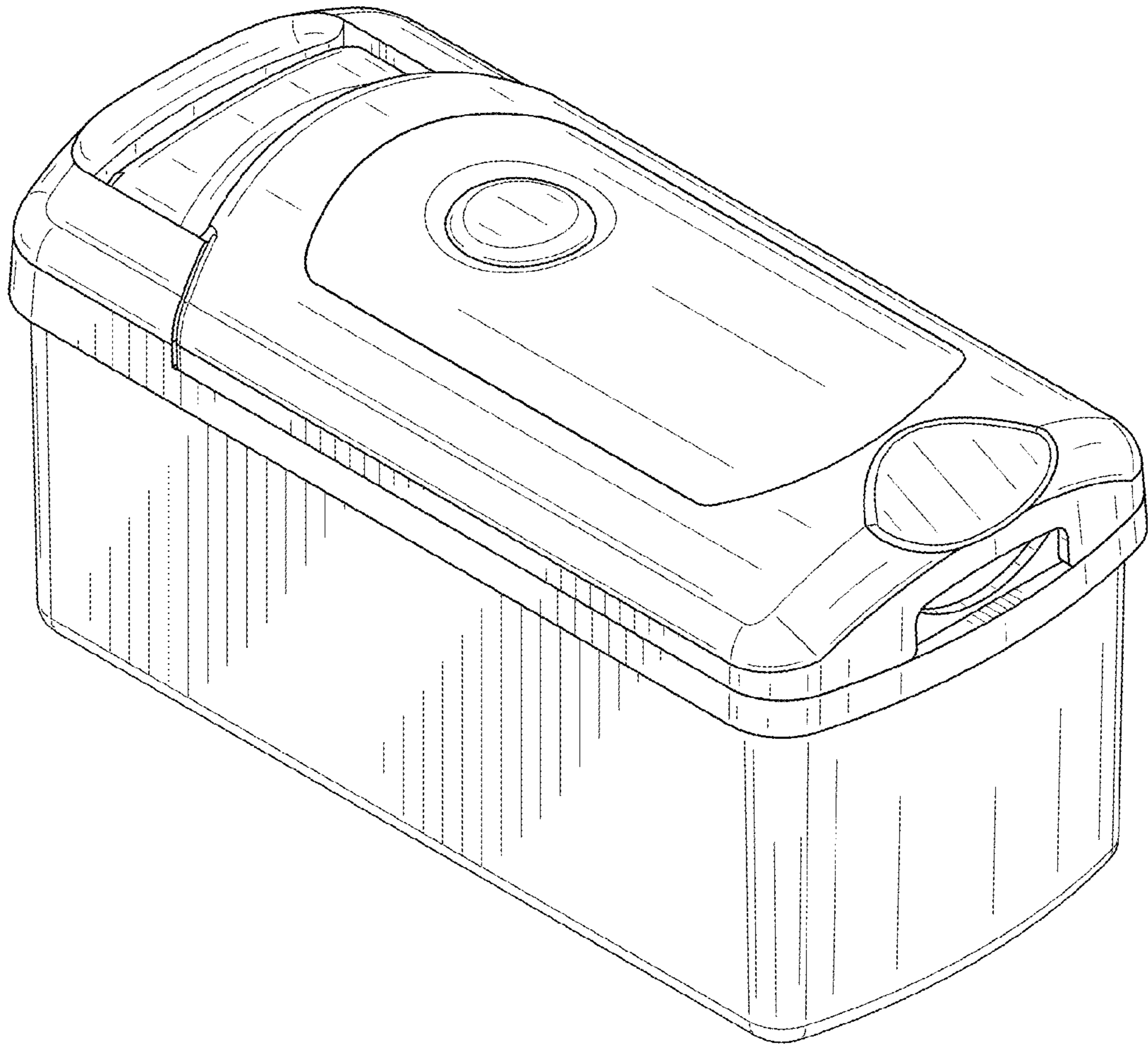


FIG. 1

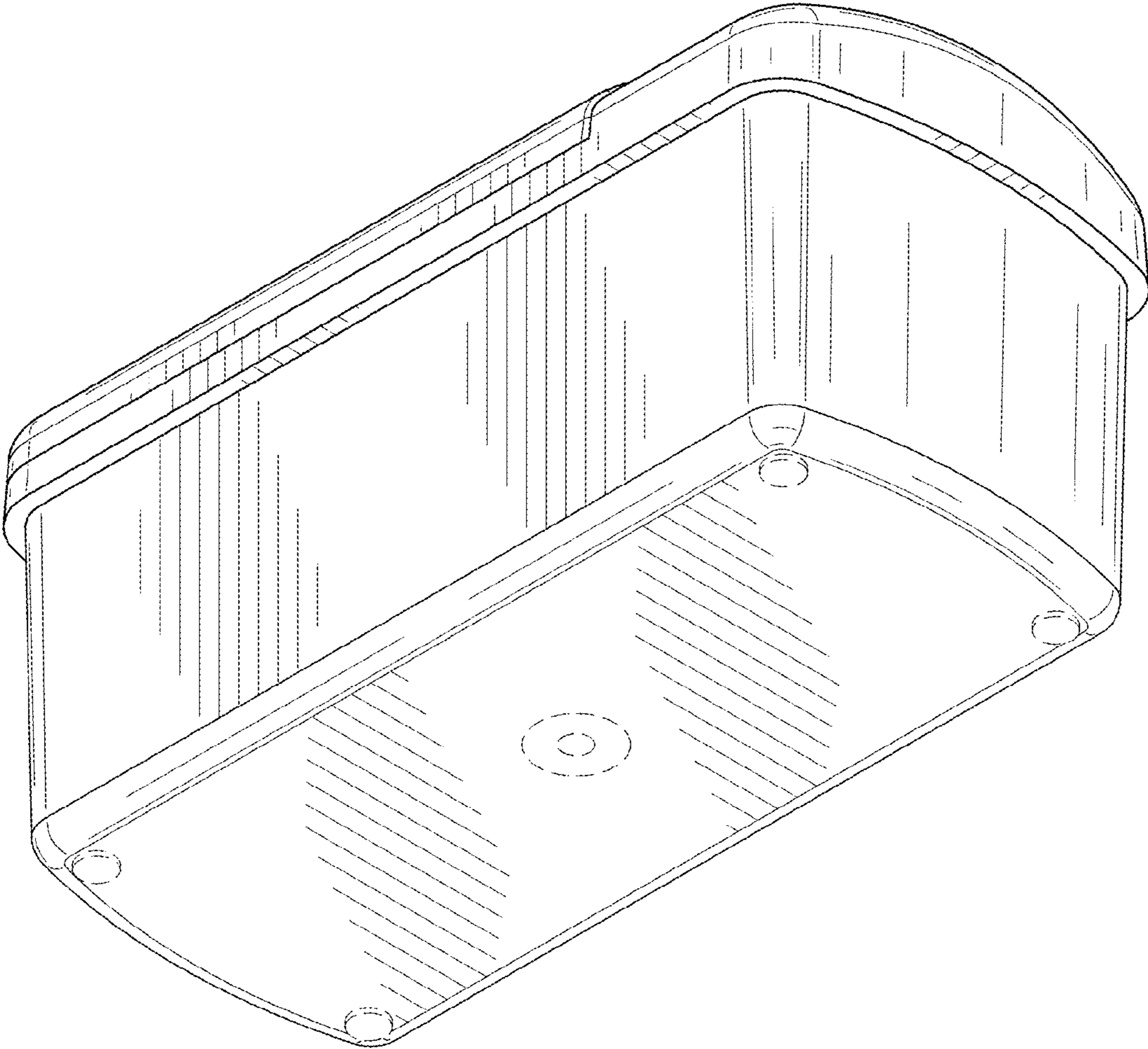


FIG. 2

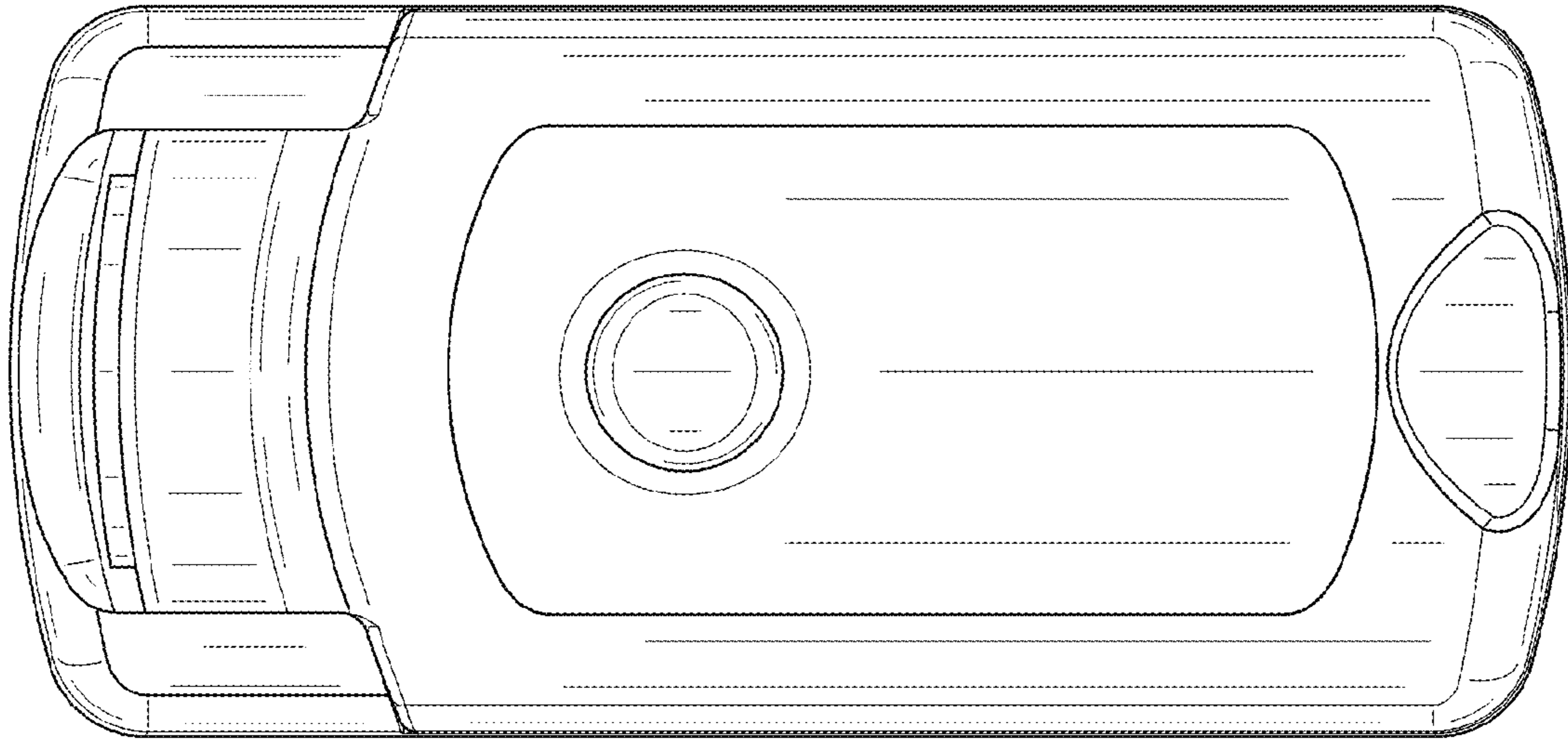


FIG. 3

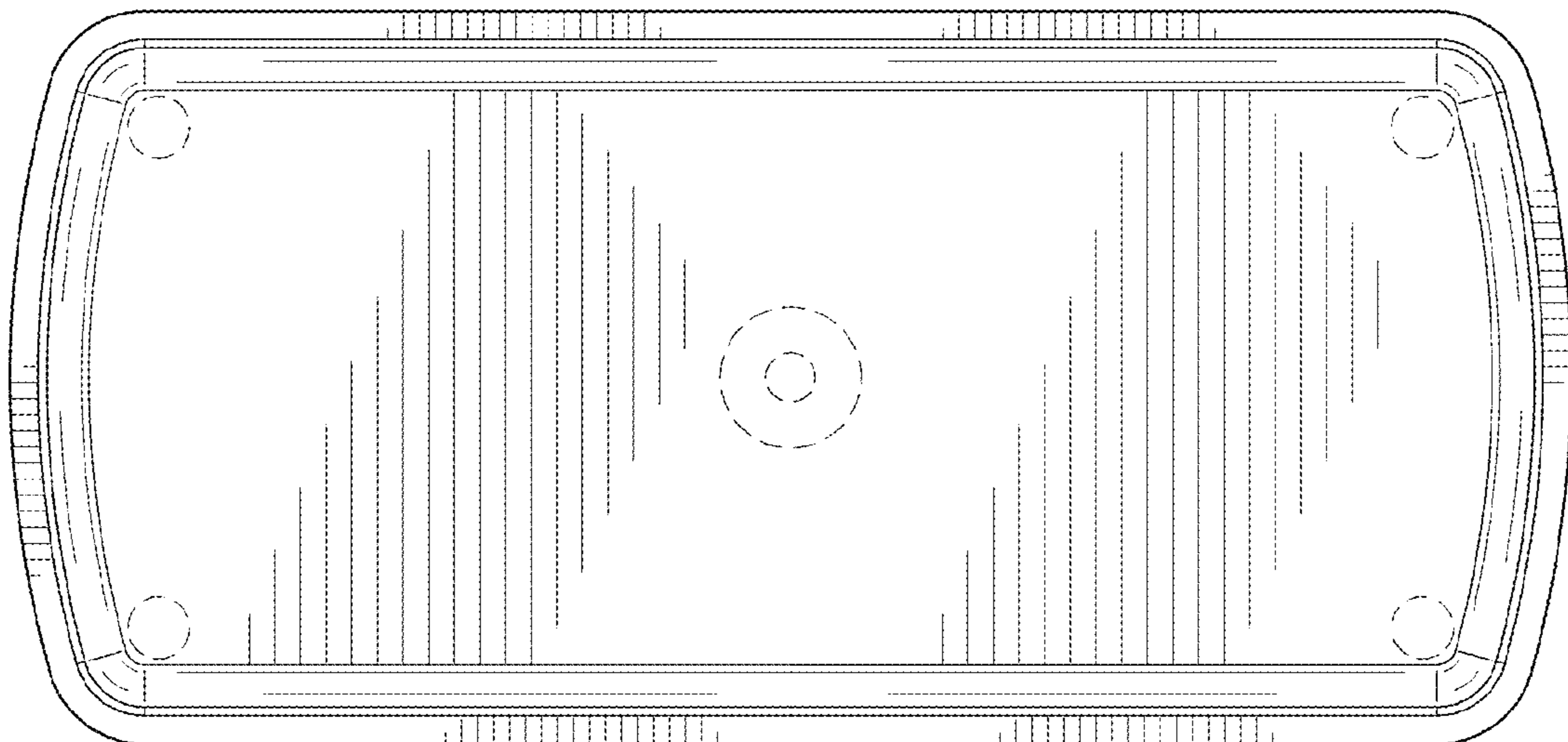


FIG. 4

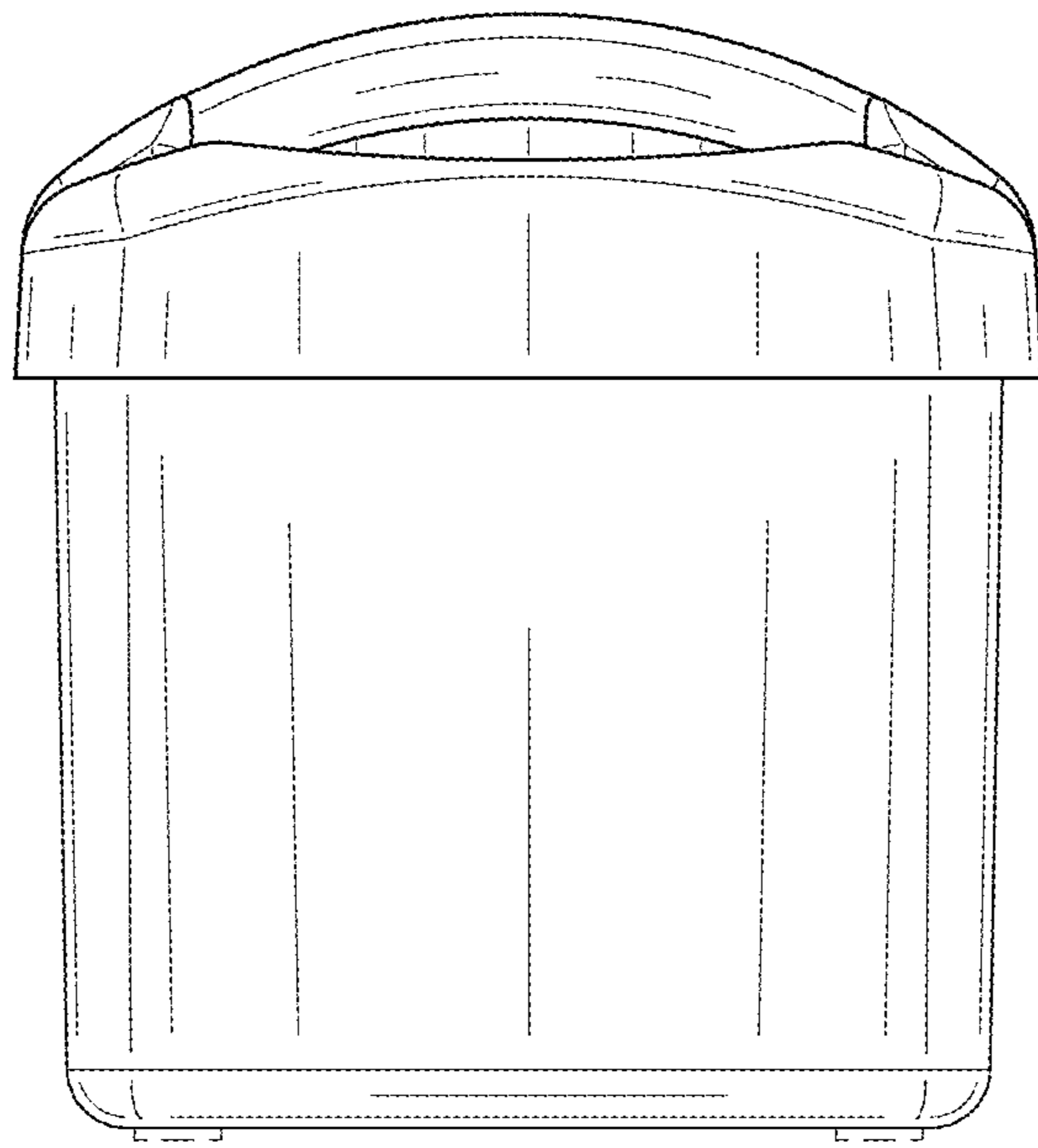


FIG. 5

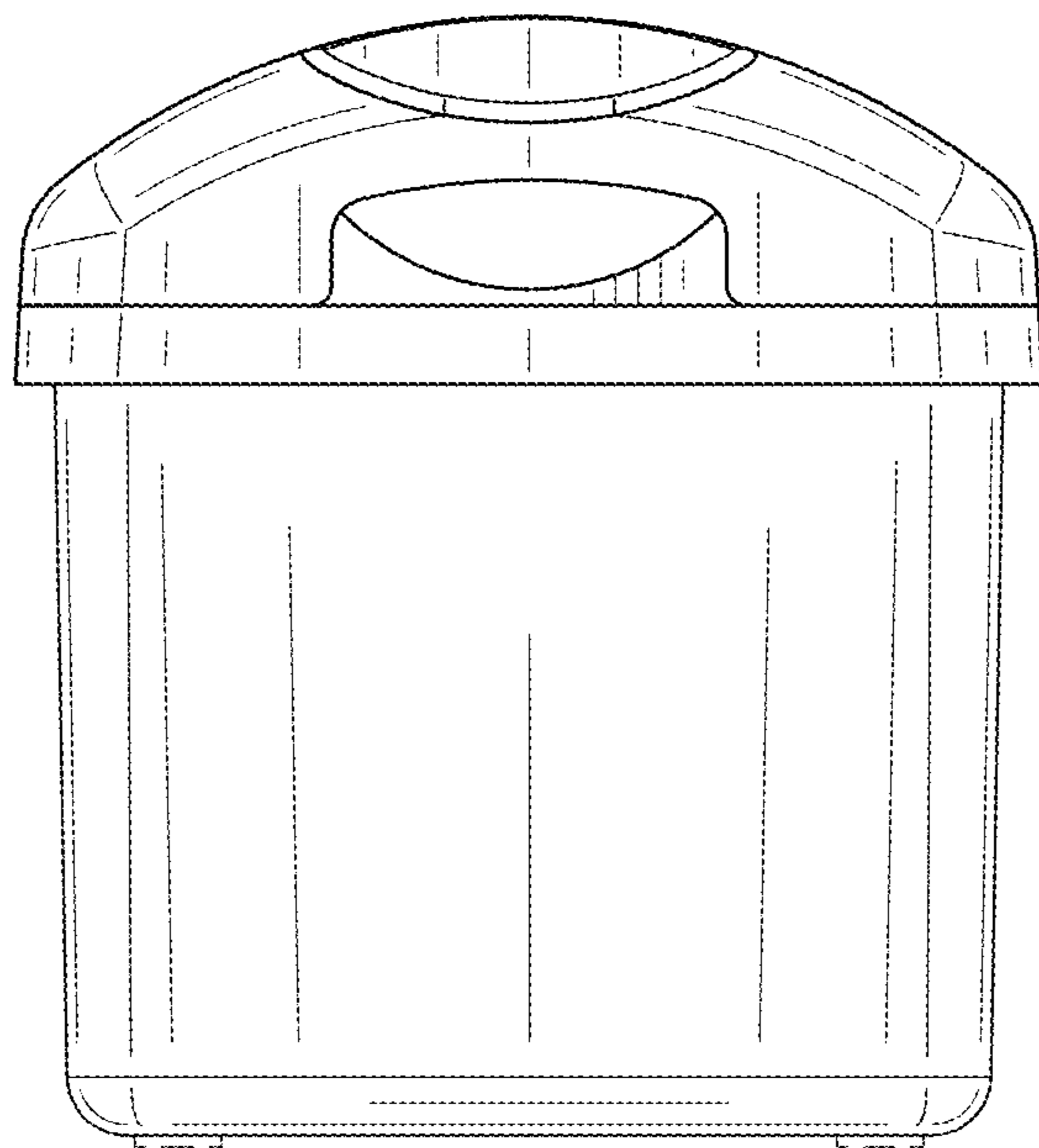


FIG. 6

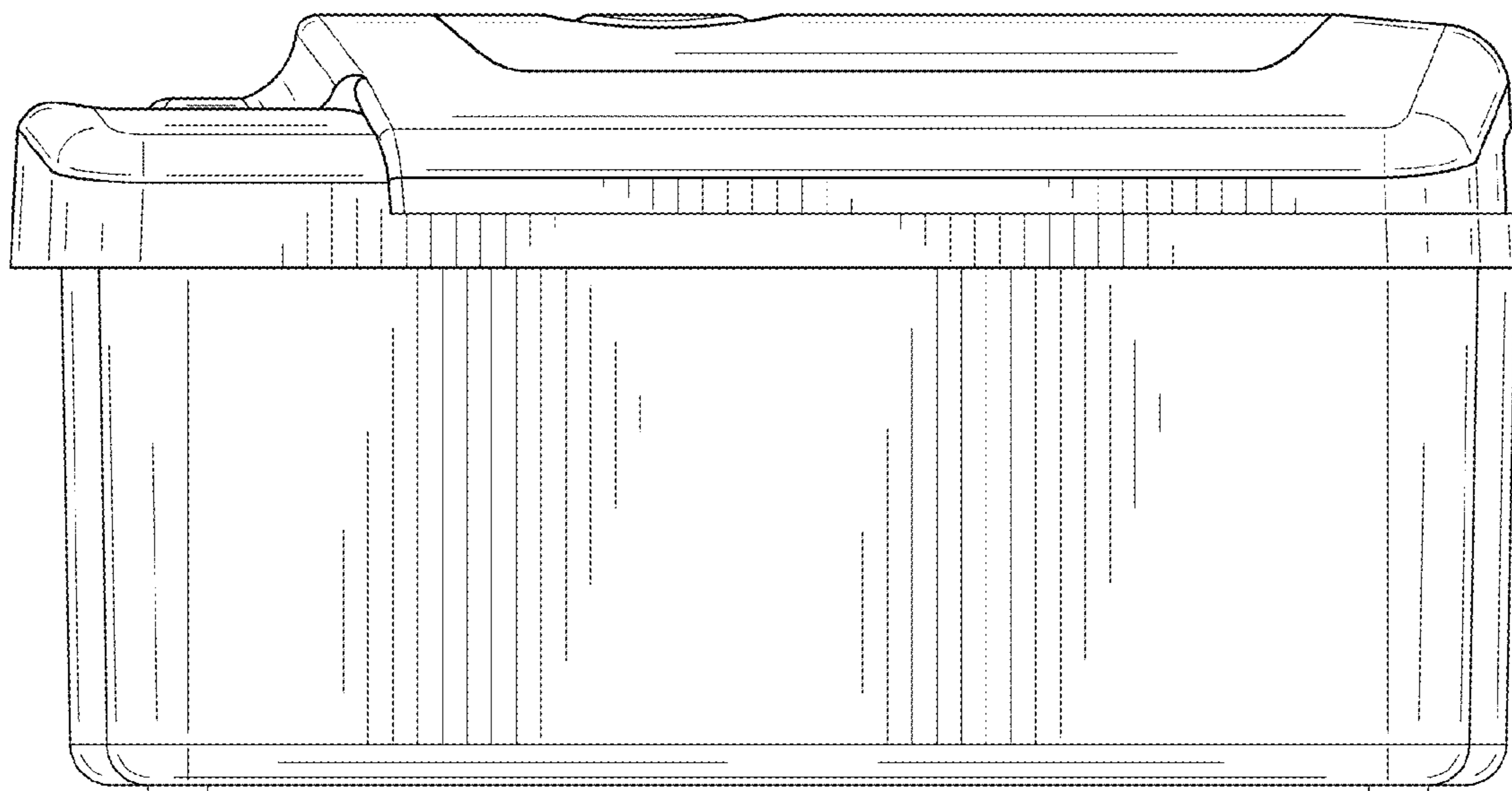


FIG. 7

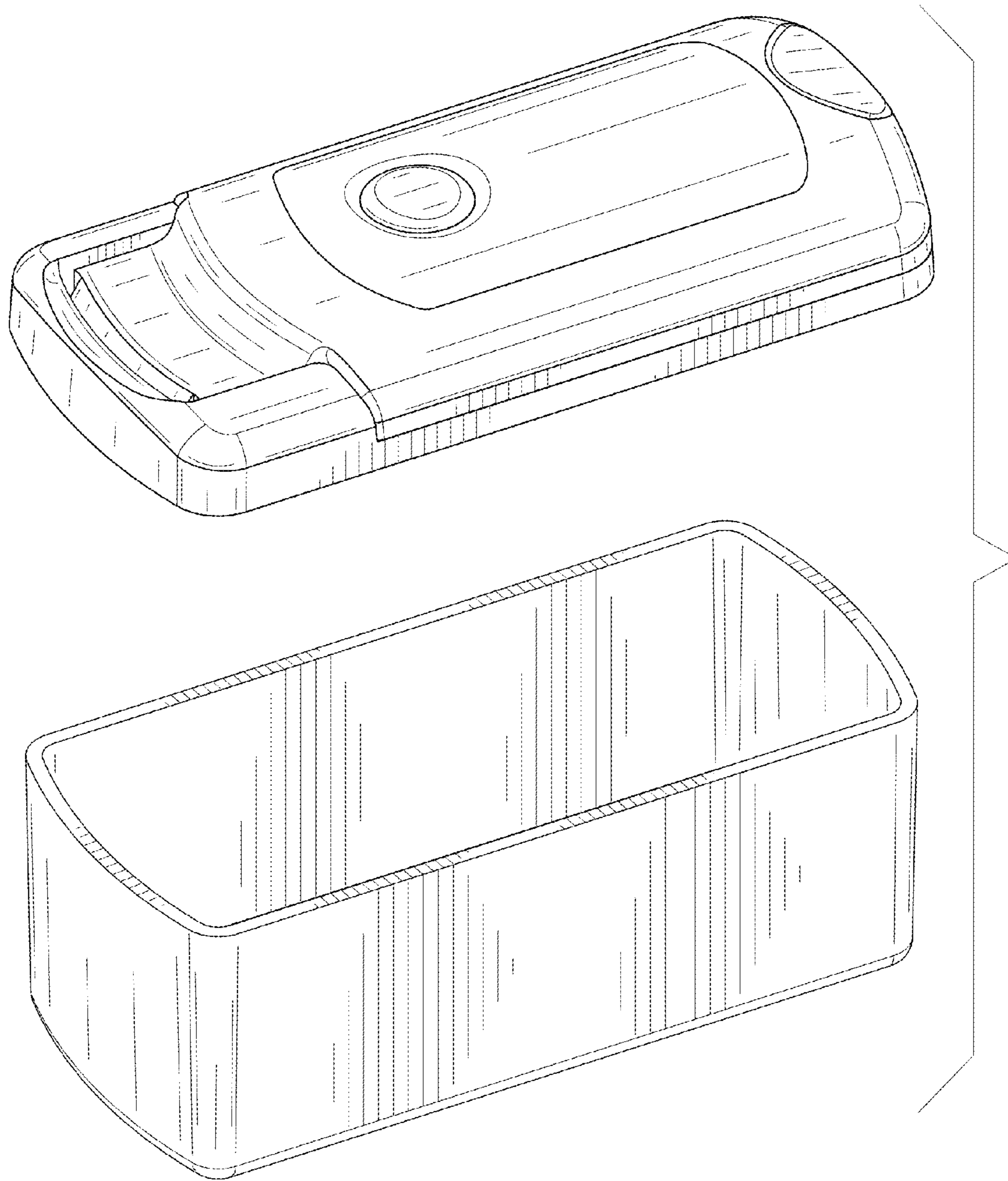


FIG. 8