



US00D776492S

(12) **United States Design Patent** (10) **Patent No.:** **US D776,492 S**
Keyes et al. (45) **Date of Patent:** **** Jan. 17, 2017**

(54) **KNIFE BLOCK** D426,139 S * 6/2000 Christoffel D8/339
D440,124 S * 4/2001 Weng D7/637
(71) Applicant: **Whirlpool Corporation**, Benton Harbor, MI (US) D471,072 S 3/2003 Gordner
D478,787 S * 8/2003 Logiudice D7/637
(Continued)

(72) Inventors: **Bryan Keyes**, St. Joseph, MI (US);
Gregory Owens Raklovits, St. Joseph, MI (US); **Wenkai Wu**, Aurora, IL (US)

FOREIGN PATENT DOCUMENTS

DE 29910552 * 9/1999 A47G 21/14
KR 20110006563 * 6/2011 A47G 21/14

(73) Assignee: **Whirlpool Corporation**, Benton Harbor, MI (US)

(Continued)

Primary Examiner — Ian Simmons
Assistant Examiner — Janice Lim

(**) Term: **14 Years**

(57) **CLAIM**

(21) Appl. No.: **29/520,828**

The ornamental design for a knife block, as shown and described.

(22) Filed: **Mar. 18, 2015**

DESCRIPTION

(51) **LOC (10) Cl.** **07-99**

(52) **U.S. Cl.**
USPC **D7/637**

(58) **Field of Classification Search**
USPC D7/631, 637-641; D19/65, 75, 81-85;
76/82, 84, 86; 211/13.1, 60.1, 70, 70.6,
211/70.7; 248/37.3, 37.6; 451/552
CPC A47F 5/16; A47F 7/00; A47G 21/00;
A47G 21/14; B26B 3/00; B26B 27/00
See application file for complete search history.

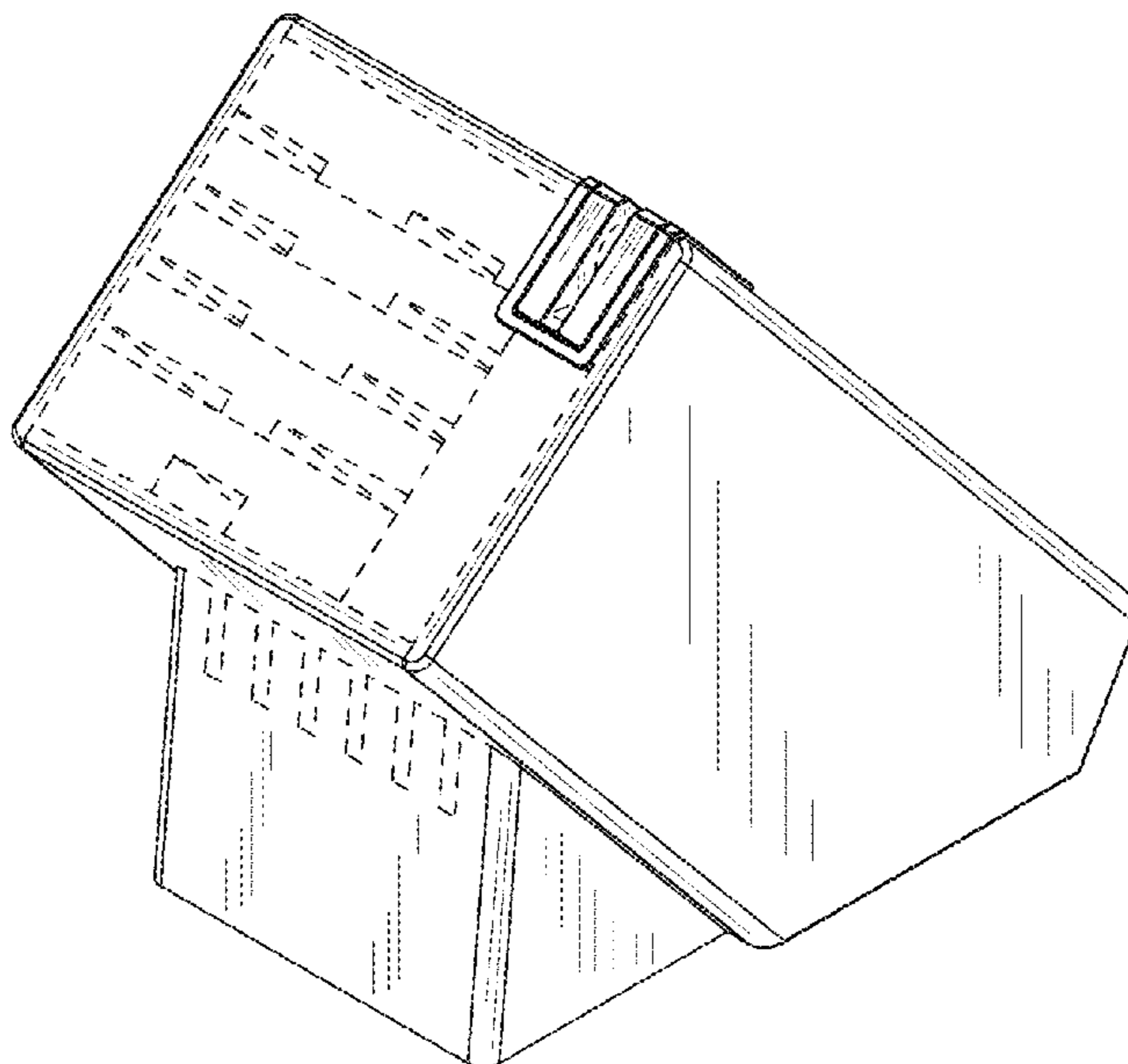
FIG. 1 is a front perspective view of a knife block, showing our new design;
FIG. 2 is a rear perspective view of the knife block of FIG. 1;
FIG. 3 is a front elevational view of the knife block of FIG. 1;
FIG. 4 is a rear elevational view of the knife block of FIG. 1;
FIG. 5 is a first side elevational view of the bowl knife block of FIG. 1;
FIG. 6 is a second side elevational view of the knife block of FIG. 1;
FIG. 7 is a top plan view of the knife block of FIG. 1; and, FIG. 8 is a bottom plan view of the knife block of FIG. 1. The broken line portions in the front of the knife block immediately adjacent to the shaded areas represent the boundaries of the claimed design only and form no part of the claimed design.
None of the broken lines form a part of the claimed design.

(56) **References Cited**

U.S. PATENT DOCUMENTS

D104,380 S * 5/1937 Poglein D7/641
2,430,700 A 11/1947 Berman
2,432,231 A 12/1947 Elphee
D247,735 S * 4/1978 Gangelhoff D7/637
4,866,845 A 9/1989 McEvily
5,245,756 A * 9/1993 Howell B24D 15/084
30/151
D421,879 S * 3/2000 Miller D7/637
D422,850 S * 4/2000 Ancona D7/637

1 Claim, 4 Drawing Sheets



(56)

References Cited

U.S. PATENT DOCUMENTS

6,619,487 B2 * 9/2003 Stuchlik, III A47G 21/14
211/70.7
D483,624 S 12/2003 Bradshaw
D488,980 S 4/2004 Bradshaw
7,637,803 B2 12/2009 Welch
8,590,427 B2 11/2013 Murphy et al.
8,721,403 B2 5/2014 Welch
8,905,825 B2 12/2014 Huff
2012/0266468 A1 10/2012 Murphy et al.
2013/0306500 A1 11/2013 Barber et al.
2015/0031274 A1 1/2015 Beechinor et al.

FOREIGN PATENT DOCUMENTS

WO 02092288 A2 11/2002
WO 2010040424 A1 4/2010

* cited by examiner

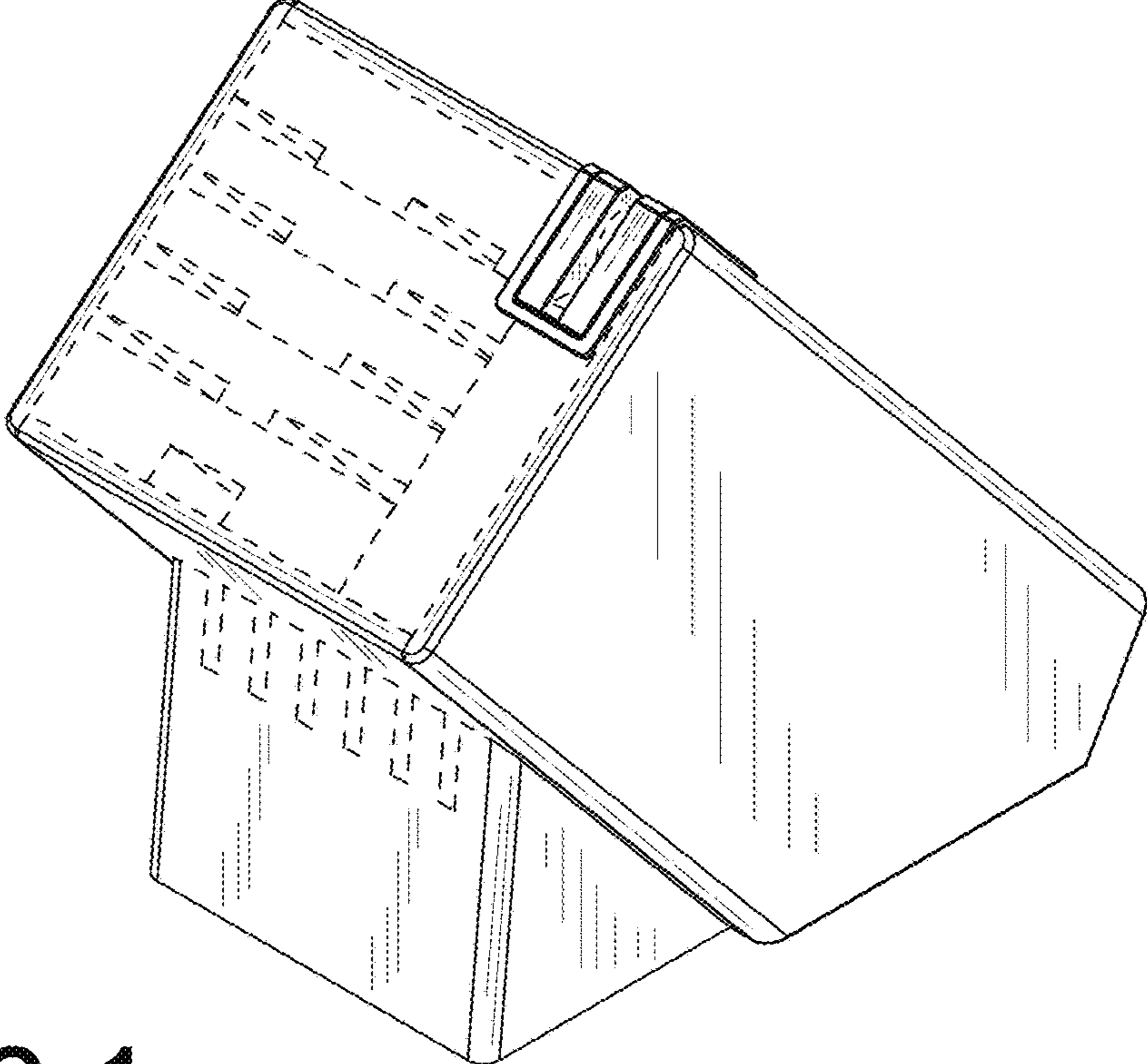


FIG. 1

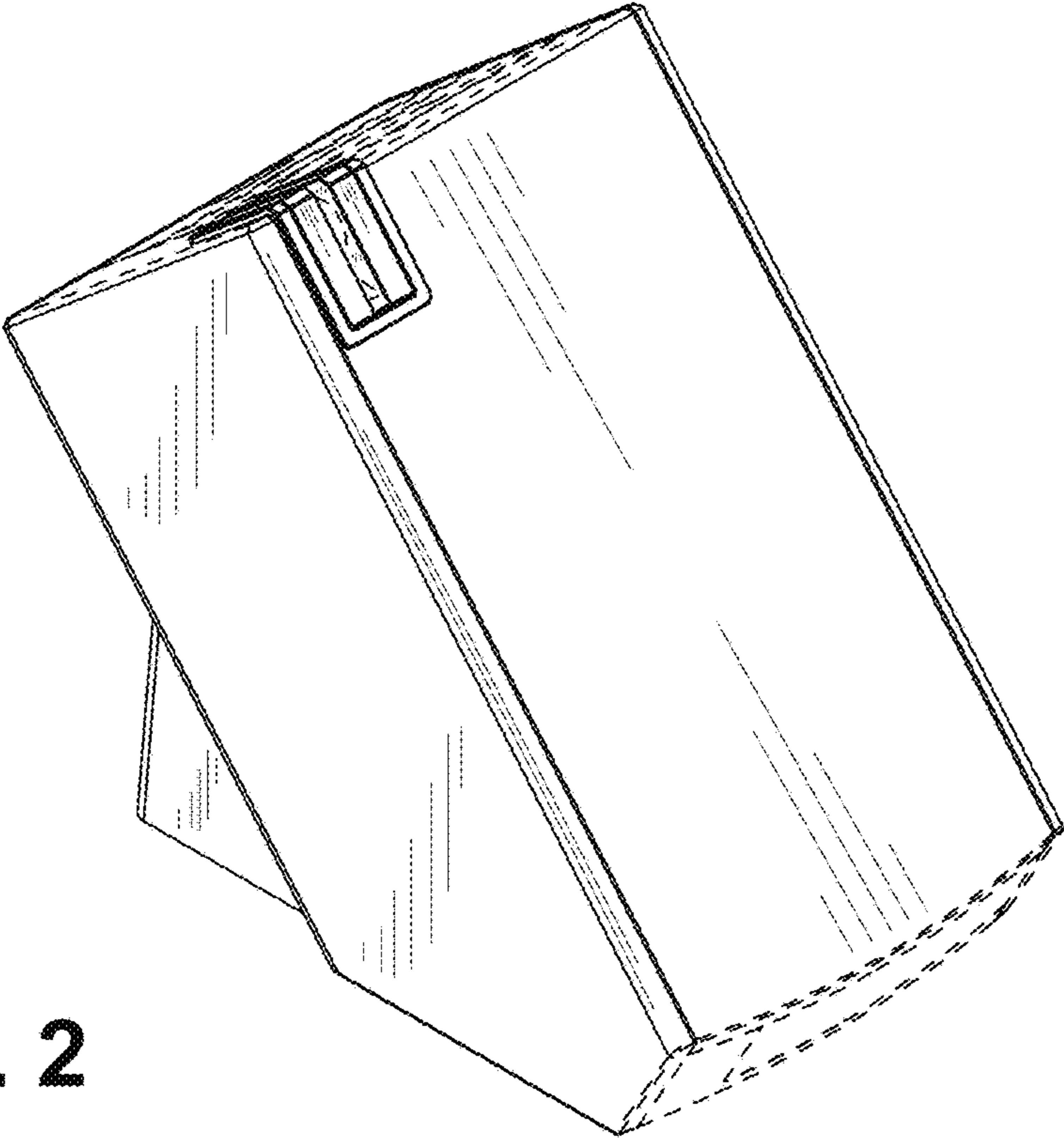


FIG. 2

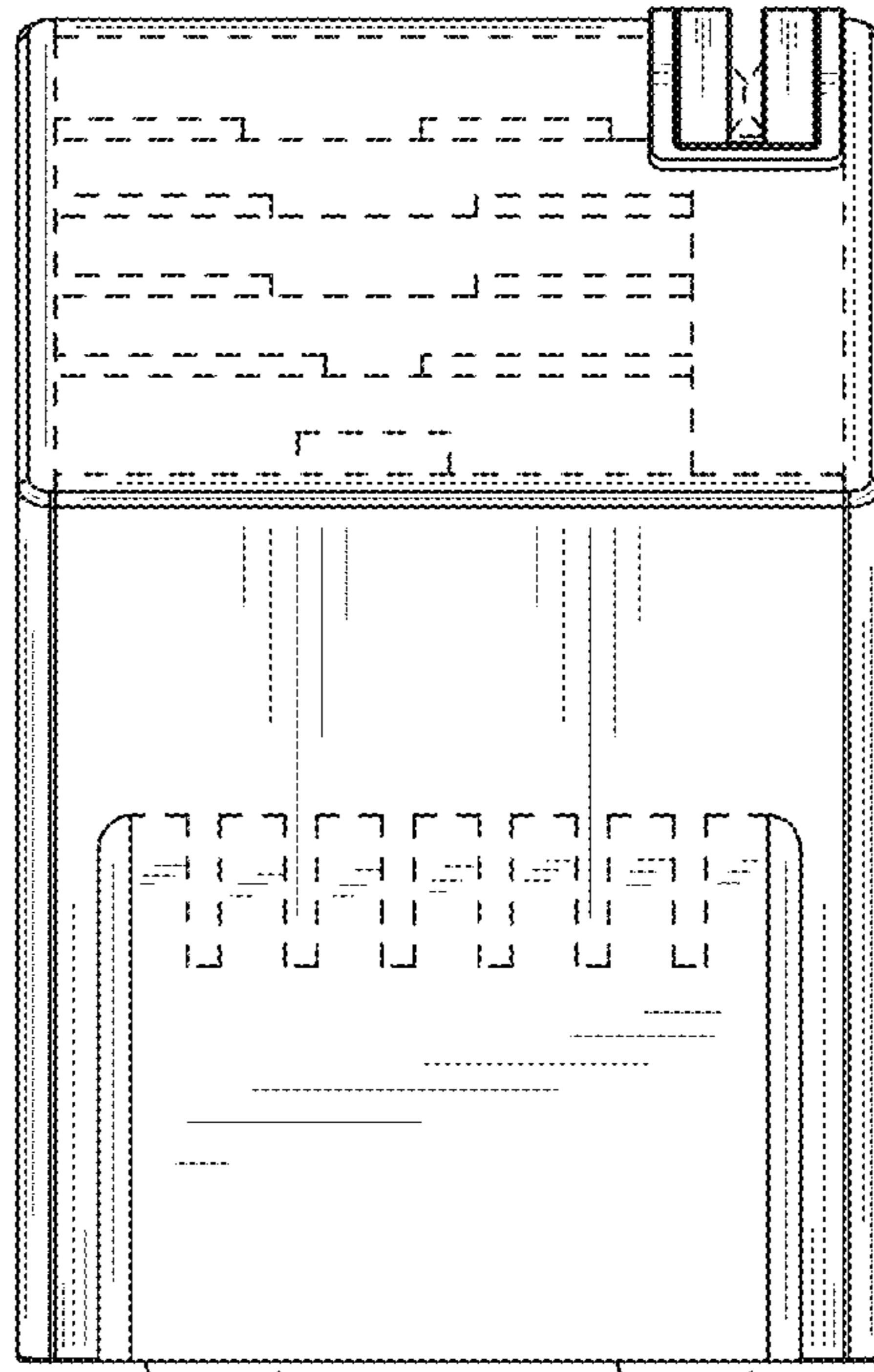


FIG. 3

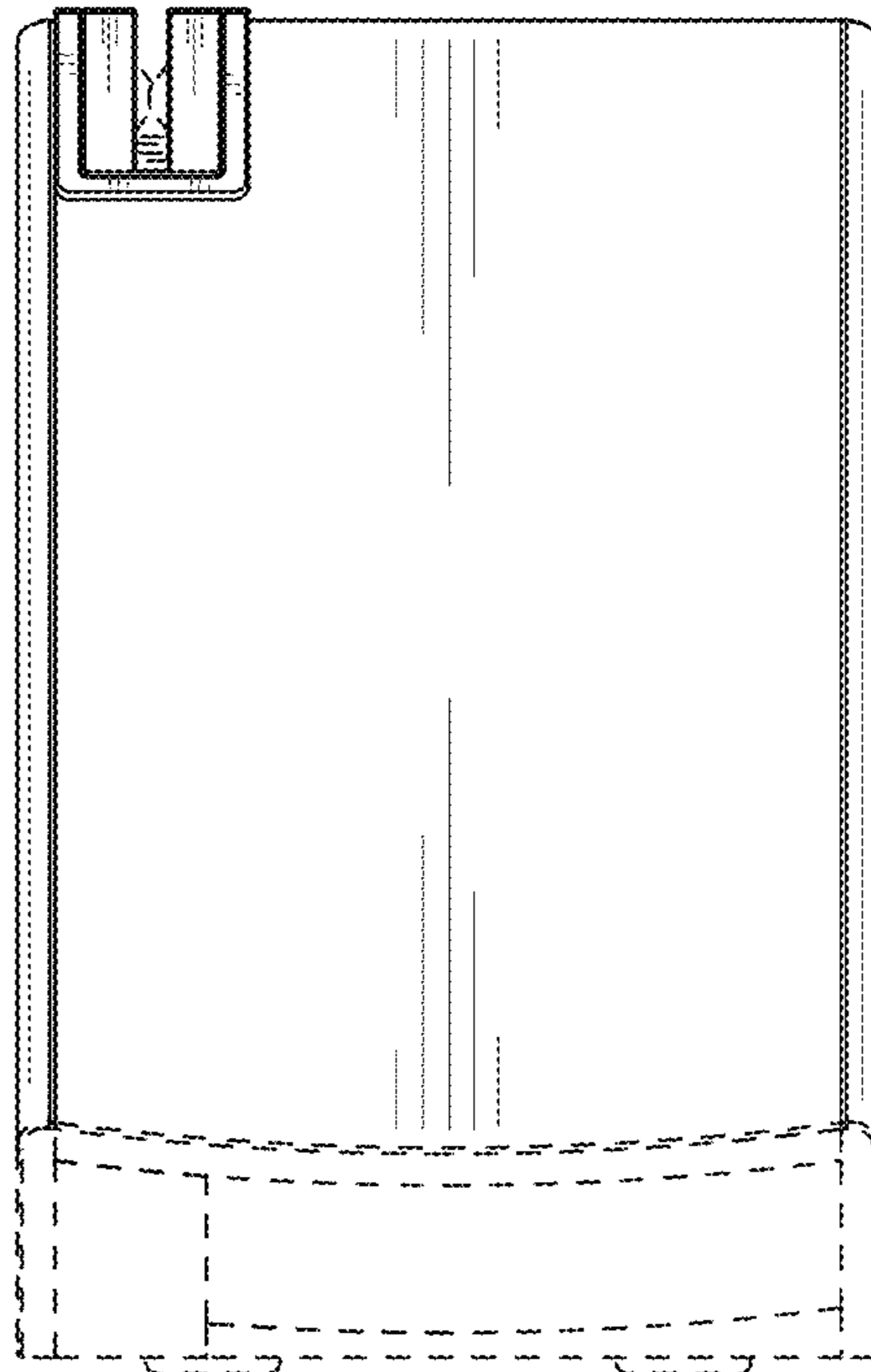


FIG. 4

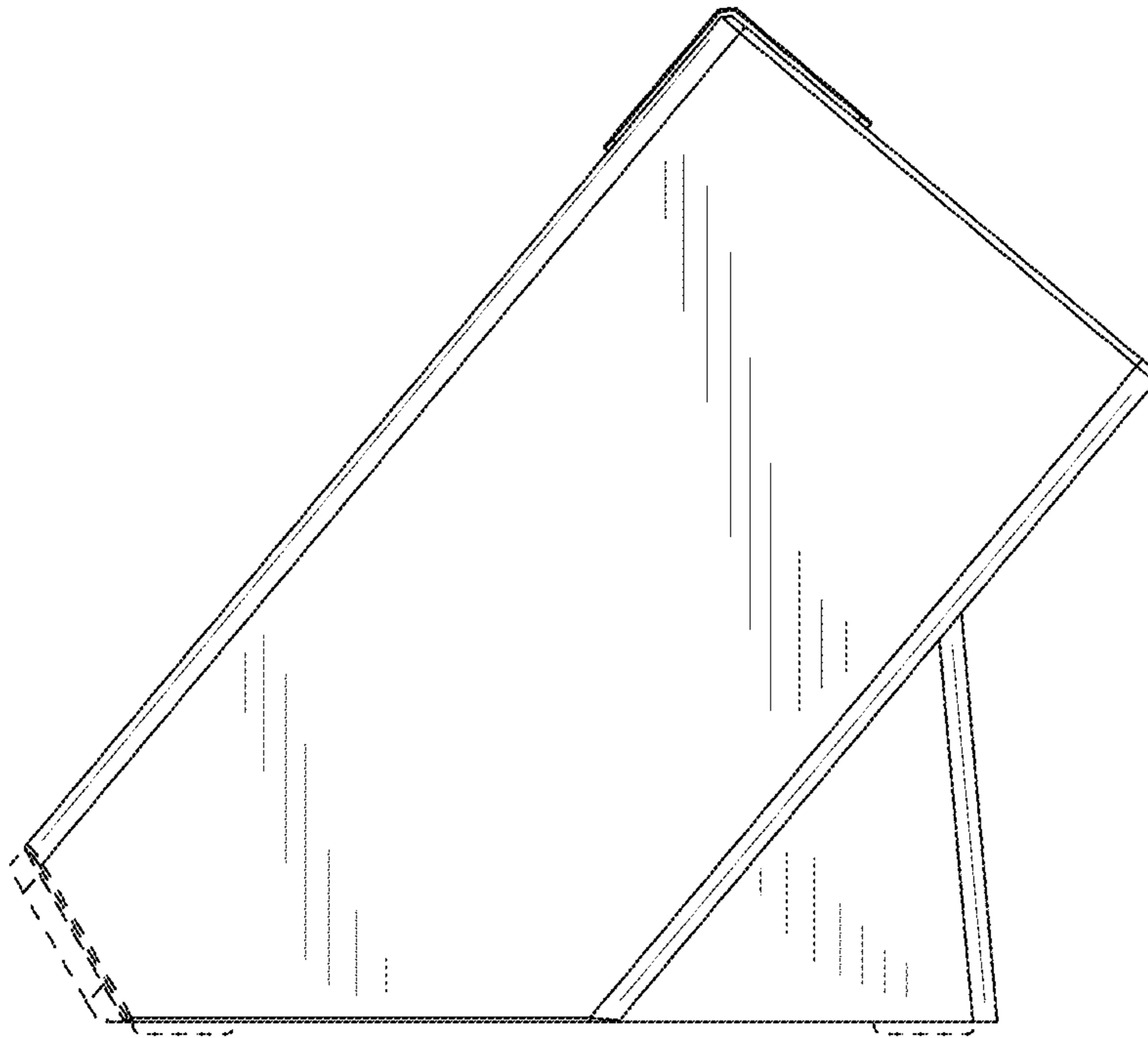


FIG. 5

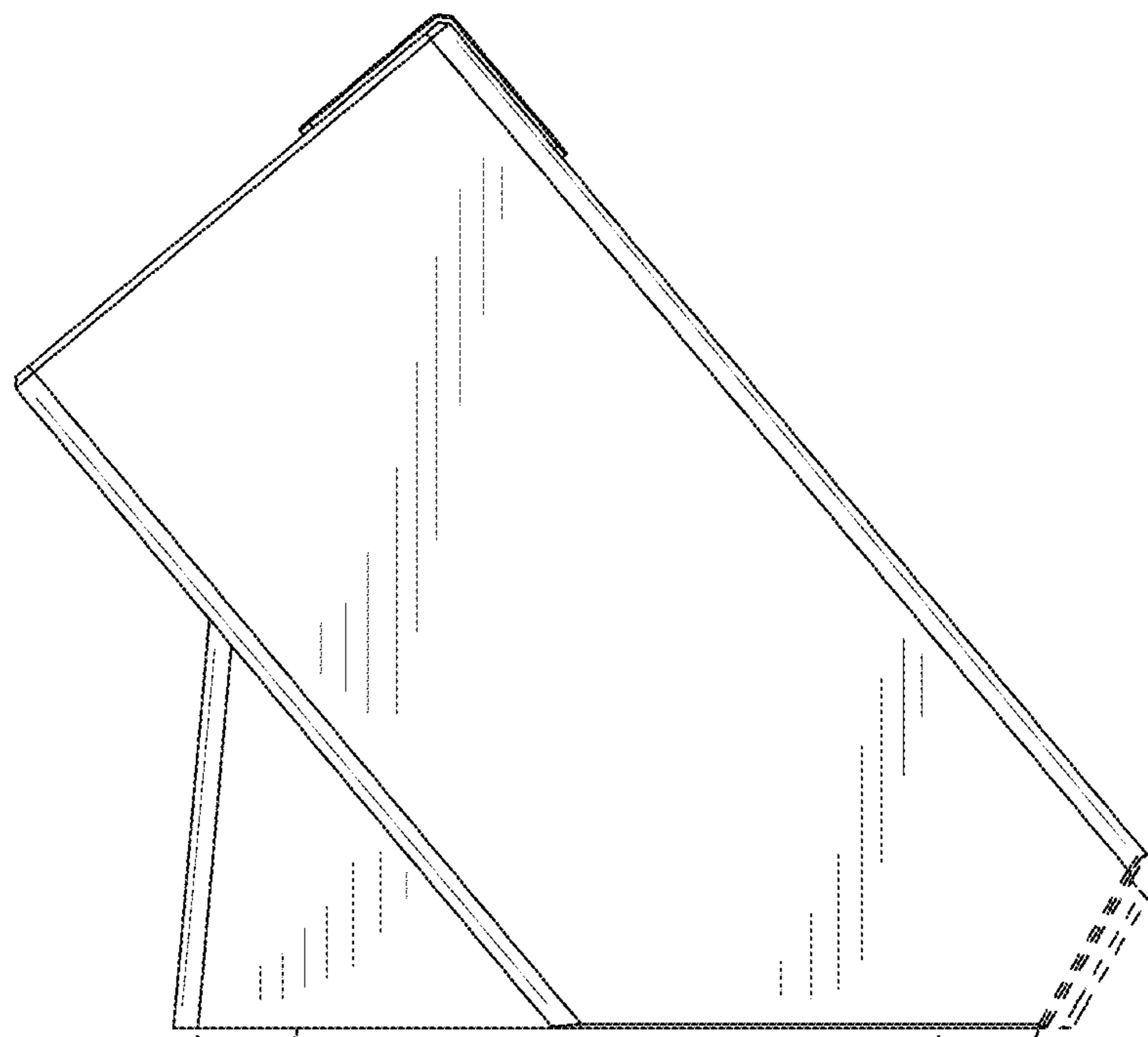


FIG. 6

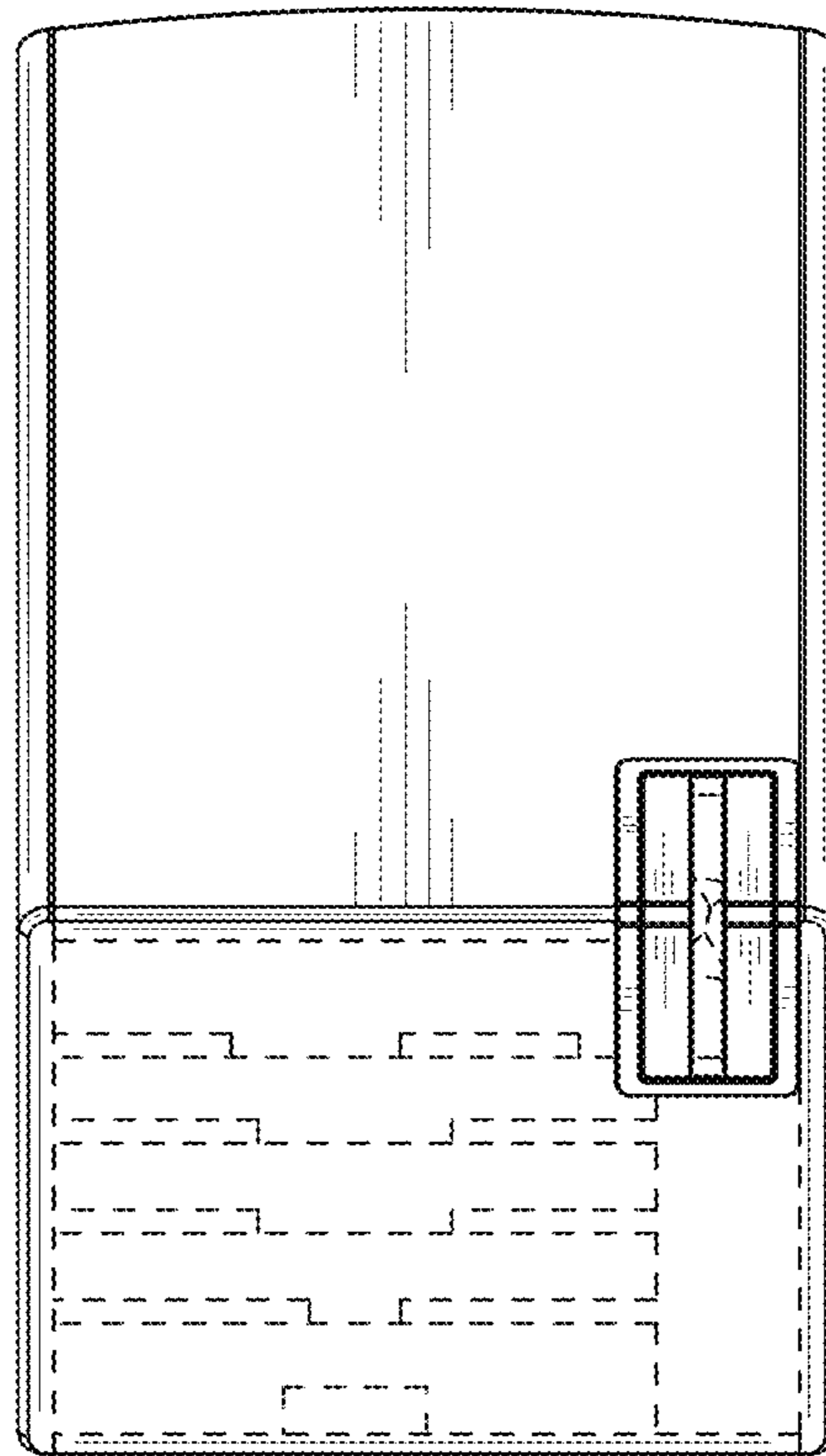


FIG. 7

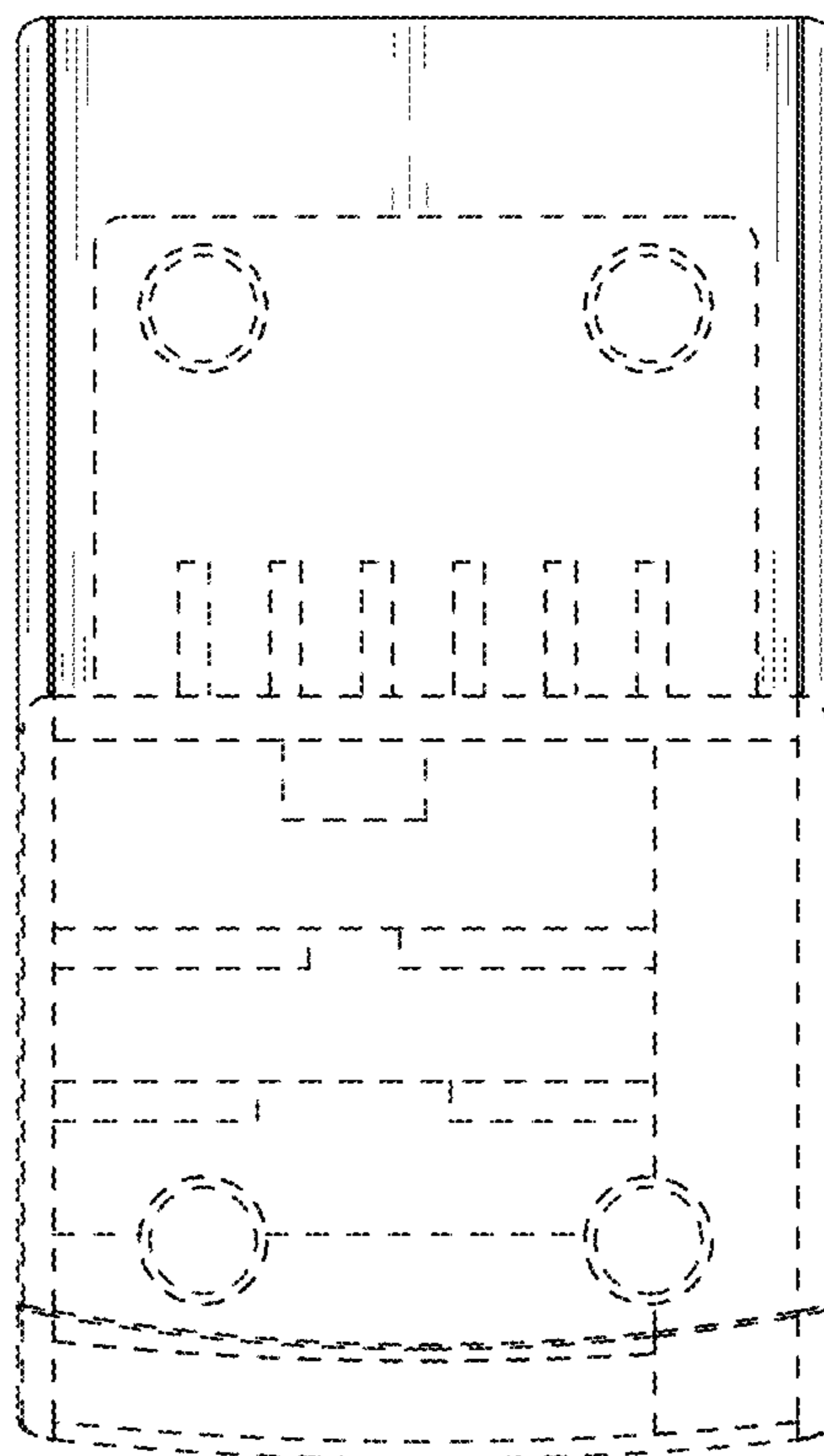


FIG. 8