



US00D776487S

(12) **United States Design Patent**
Peeters

(10) **Patent No.: US D776,487 S**

(45) **Date of Patent: ** Jan. 17, 2017**

(54) **BEVERAGE CAN INSULATOR**

(71) Applicant: **Robert J Peeters**, Fraser, CO (US)

(72) Inventor: **Robert J Peeters**, Fraser, CO (US)

(**) Term: **15 Years**

(21) Appl. No.: **29/543,771**

(22) Filed: **Oct. 28, 2015**

(51) **LOC (10) Cl.** **07-01**

(52) **U.S. Cl.**
USPC **D7/608**

(58) **Field of Classification Search**

USPC D7/511, 602-608, 619.1-625
CPC F25D 3/08; B65D 25/30; B65D 7/24;
B65D 81/3876; B65D 81/3879; B65D
23/104; B65D 81/38; B65D
81/3886; B65D 81/3883; B65D 81/3881;
B65D 3/28; B65D 25/00; B65D
51/04; B65D 21/0219; B65D
81/3874; A45C 11/20; A47G
23/0216; A47G 19/2288; A47G 19/2272;
A45F 2200/0583; A61F 7/10; B31D
5/0086; B31B 7/00; B31B 15/00; B31B
2217/0076; B29D 22/00; B29C 57/12

See application file for complete search history.

(56) **References Cited**

U.S. PATENT DOCUMENTS

3,468,467 A * 9/1969 Amberg B29C 57/12
206/515
4,872,577 A * 10/1989 Smith B65D 51/04
220/264
5,139,163 A * 8/1992 Diaz B65D 21/0219
206/509
5,740,951 A * 4/1998 Jack A45C 11/20
220/903
6,039,207 A * 3/2000 Adamek B65D 81/3879
215/303

6,138,902 A * 10/2000 Welch B65D 81/3886
206/815
6,206,223 B1 * 3/2001 Wicker B65D 81/3879
220/375
6,601,728 B1 * 8/2003 Newkirk A47G 23/0216
220/739
7,156,253 B2 * 1/2007 Ziegler A47G 19/2272
220/375
D589,758 S * 4/2009 Mancha D7/607

(Continued)

Primary Examiner — Freda S Nunn

(74) *Attorney, Agent, or Firm* — Patent Law office of
Rick Martin, P.C.

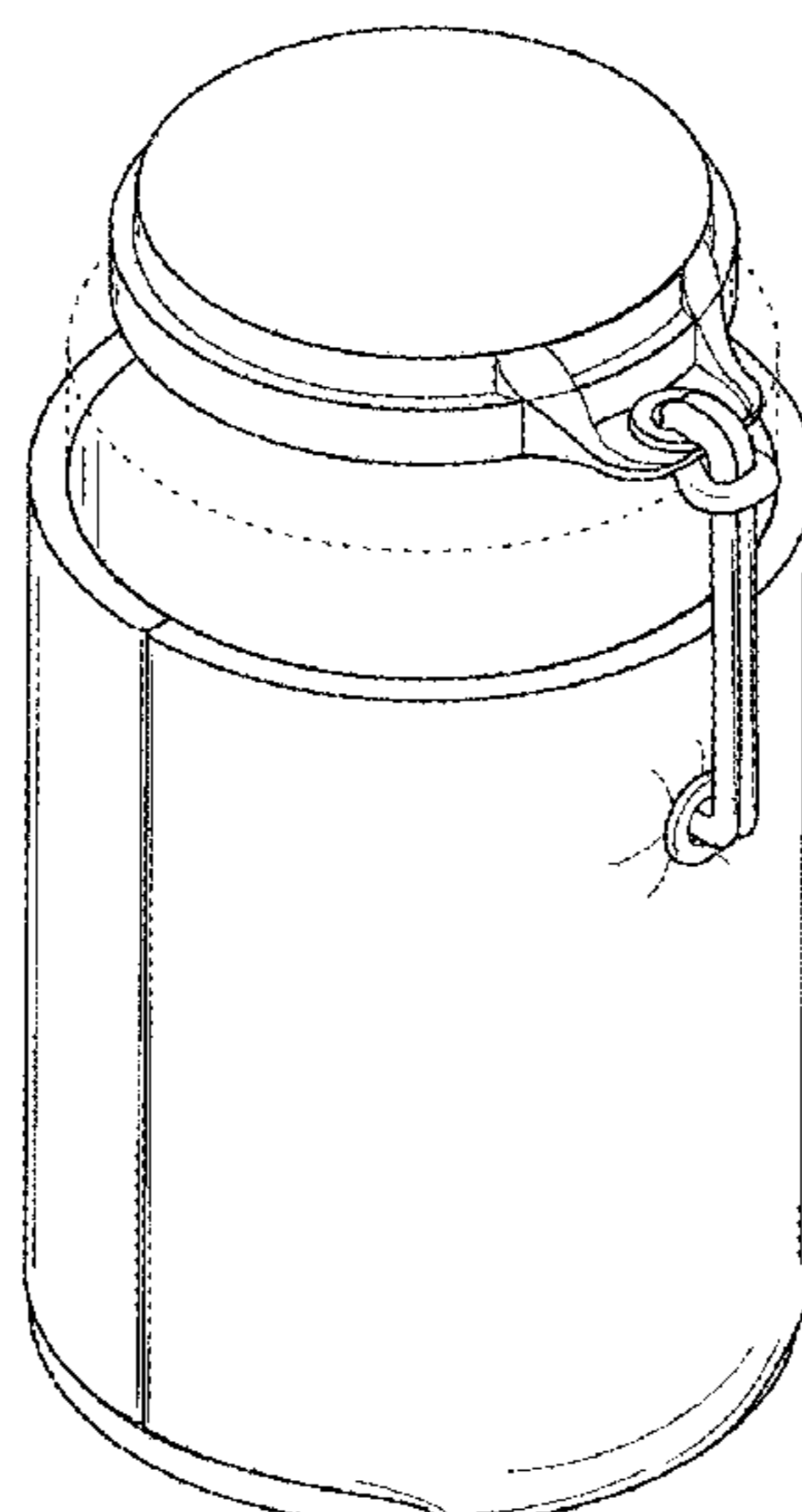
(57) **CLAIM**

The design of a beverage can insulator, as shown and
described.

DESCRIPTION

FIG. 1 is a top perspective view of my new design for a
beverage can insulator;
FIG. 2 is a top plan view of my new invention in the folded
mode;
FIG. 3 is a bottom plan view of my new invention in the
folded mode;
FIG. 4 is a left side elevation view of my invention in the
folded mode the right side being a mirror image;
FIG. 5 is a front elevation view of my new invention in the
folded mode;
FIG. 6 is a rear elevation view of my new invention in the
folded mode;
FIG. 7 is a bottom perspective view of my new invention in
the folded mode; and,
FIG. 8 is a top perspective view of my new invention in use
in the non-folded mode.
The broken lines indicating a beverage can are for the
purposes of illustrating a use and form no part of the claimed
design.

1 Claim, 5 Drawing Sheets



(56)

References Cited

U.S. PATENT DOCUMENTS

8,002,143	B2 *	8/2011	Vorderkunz	B65D 81/3874 220/592.24
D675,066	S *	1/2013	Conlin	D7/608
D678,729	S *	3/2013	Peeters	D7/608
8,695,842	B2 *	4/2014	Gonzalez Sanchez	B65D 51/007 215/232
8,720,739	B2 *	5/2014	Bollis	B65D 81/3879 220/739
9,044,113	B2 *	6/2015	Hargett	A47G 23/0216
2002/0088810	A1 *	7/2002	Murakami	B65D 81/3881 220/739
2008/0017654	A1 *	1/2008	Chu	B65D 81/3886 220/739
2011/0127283	A1 *	6/2011	Delucia	A45F 5/02 220/739

* cited by examiner

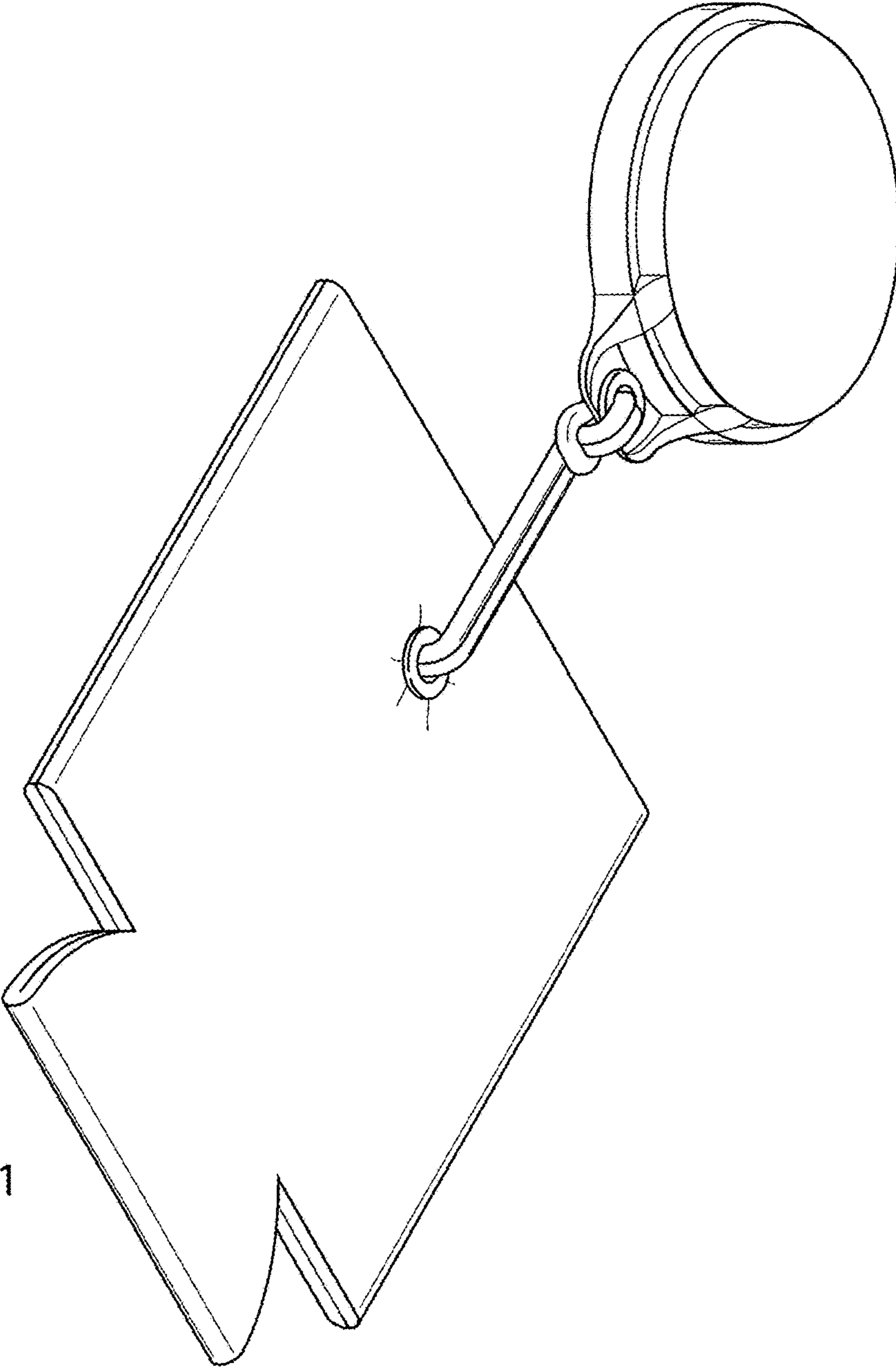


Fig. 1

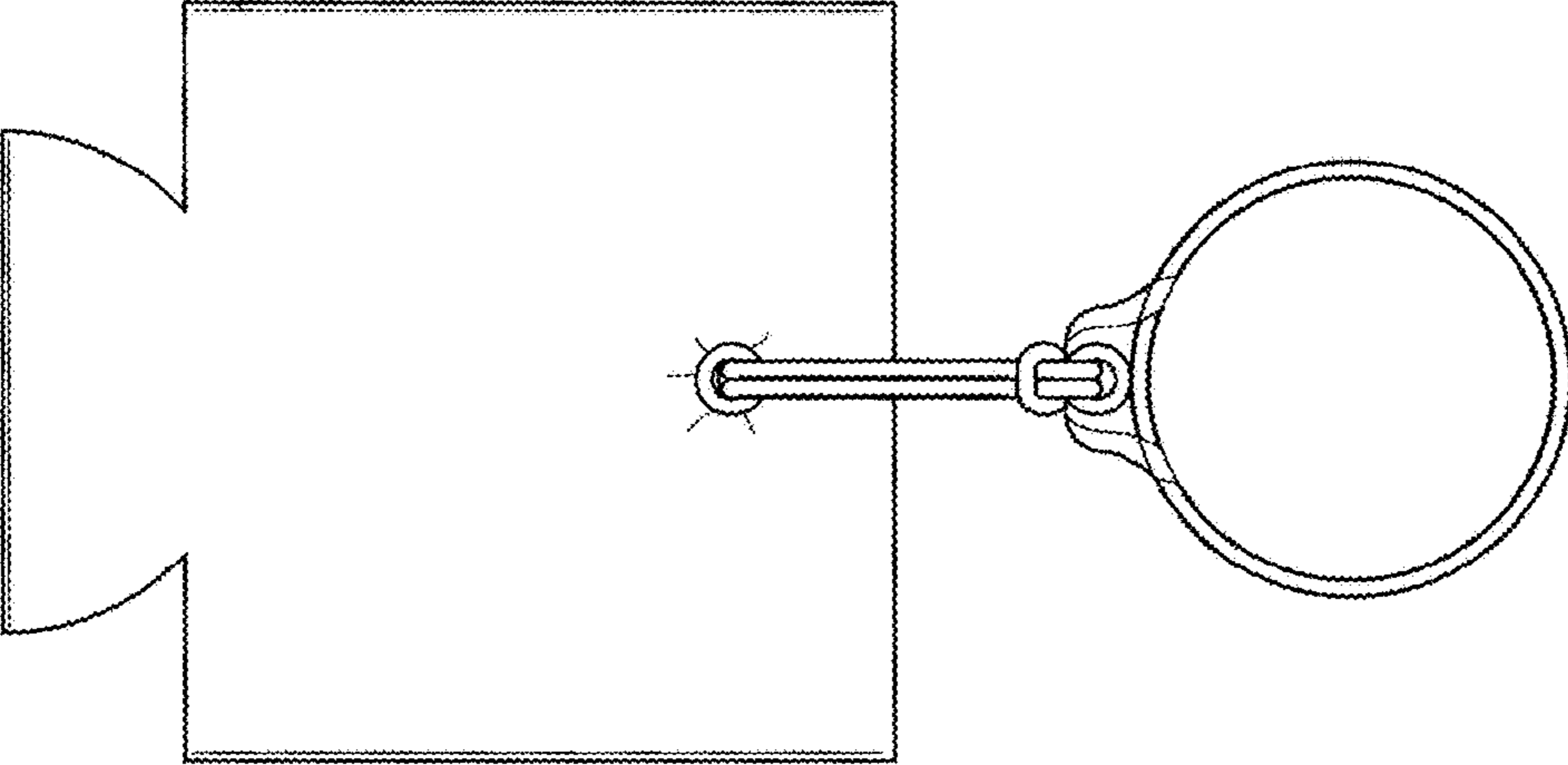


Fig. 2

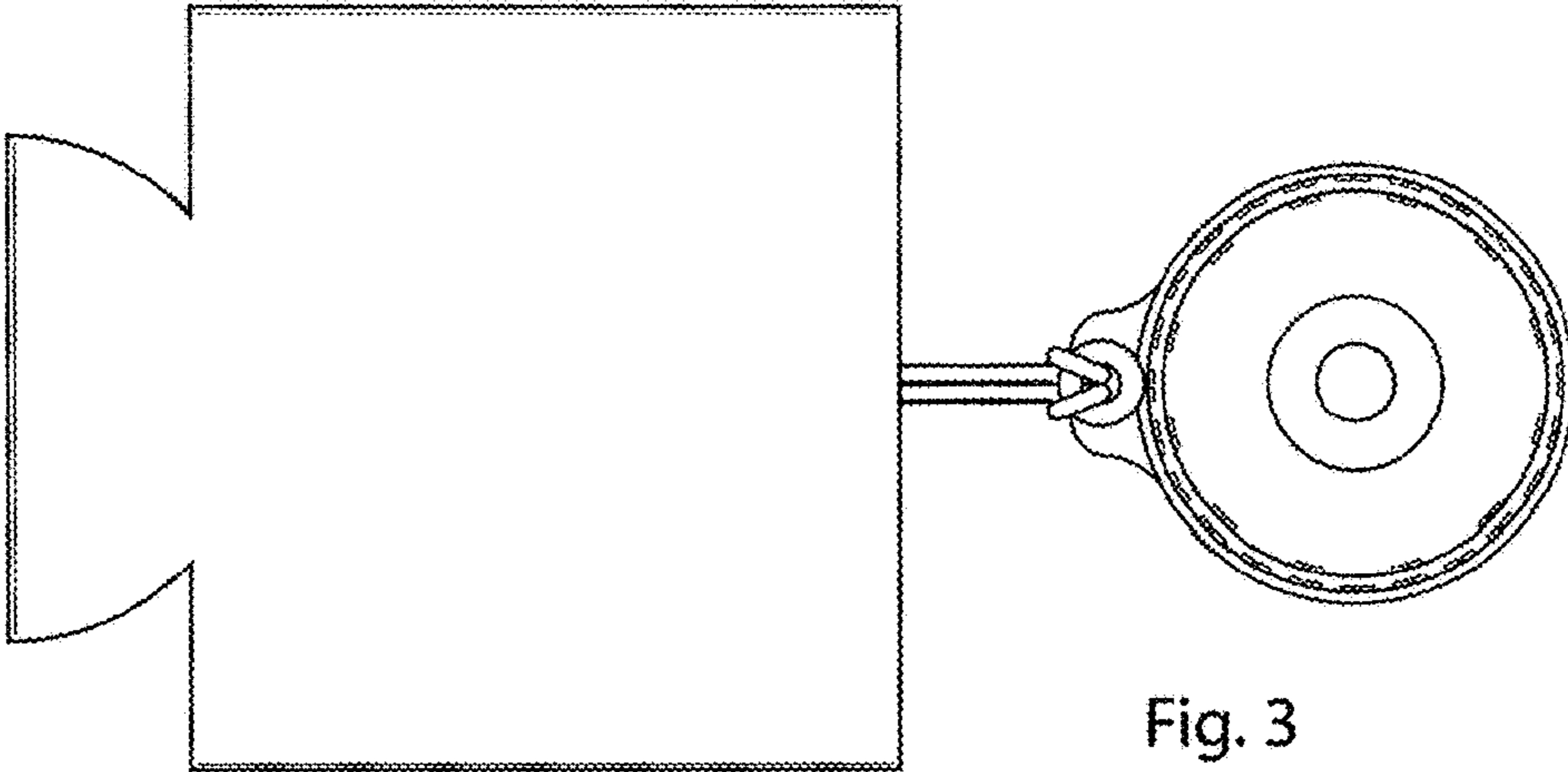
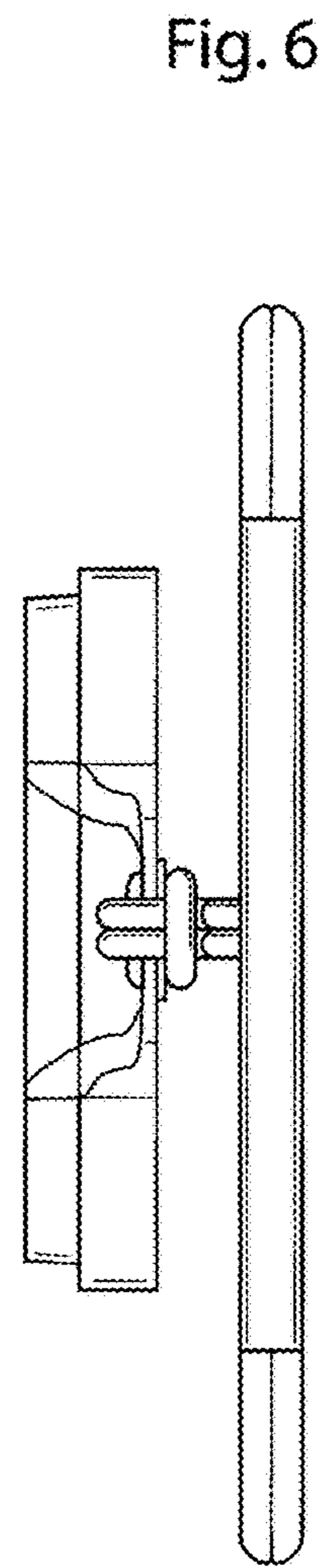
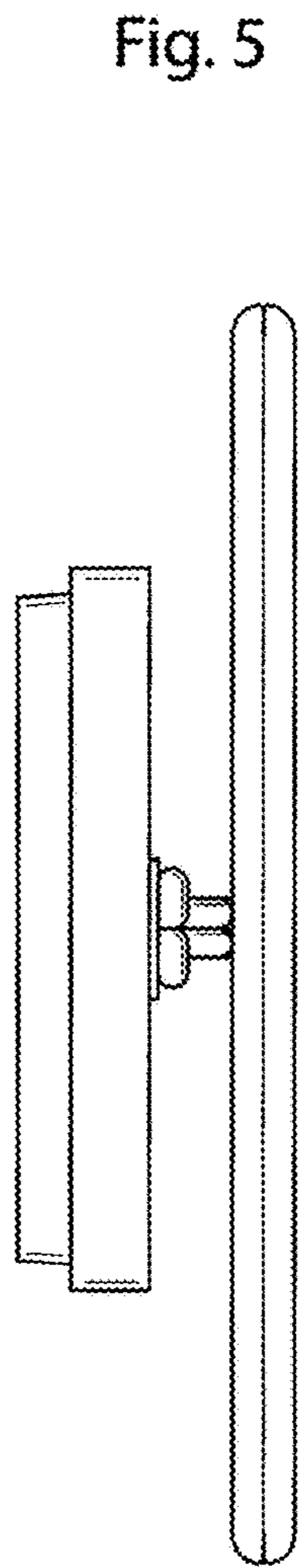
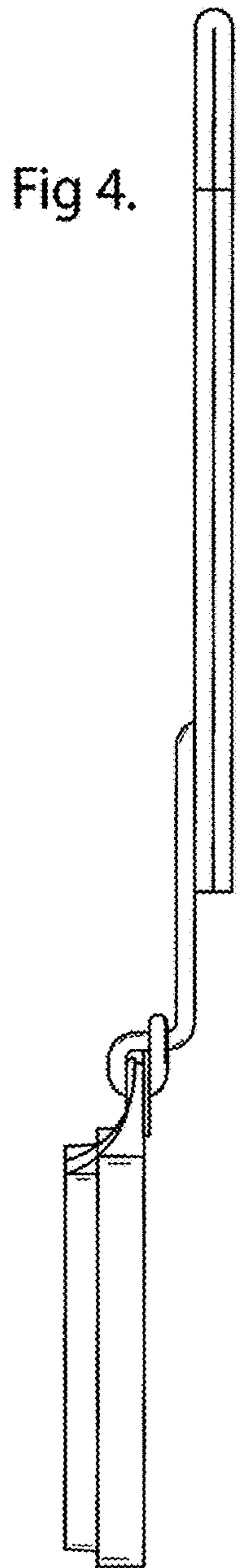


Fig. 3



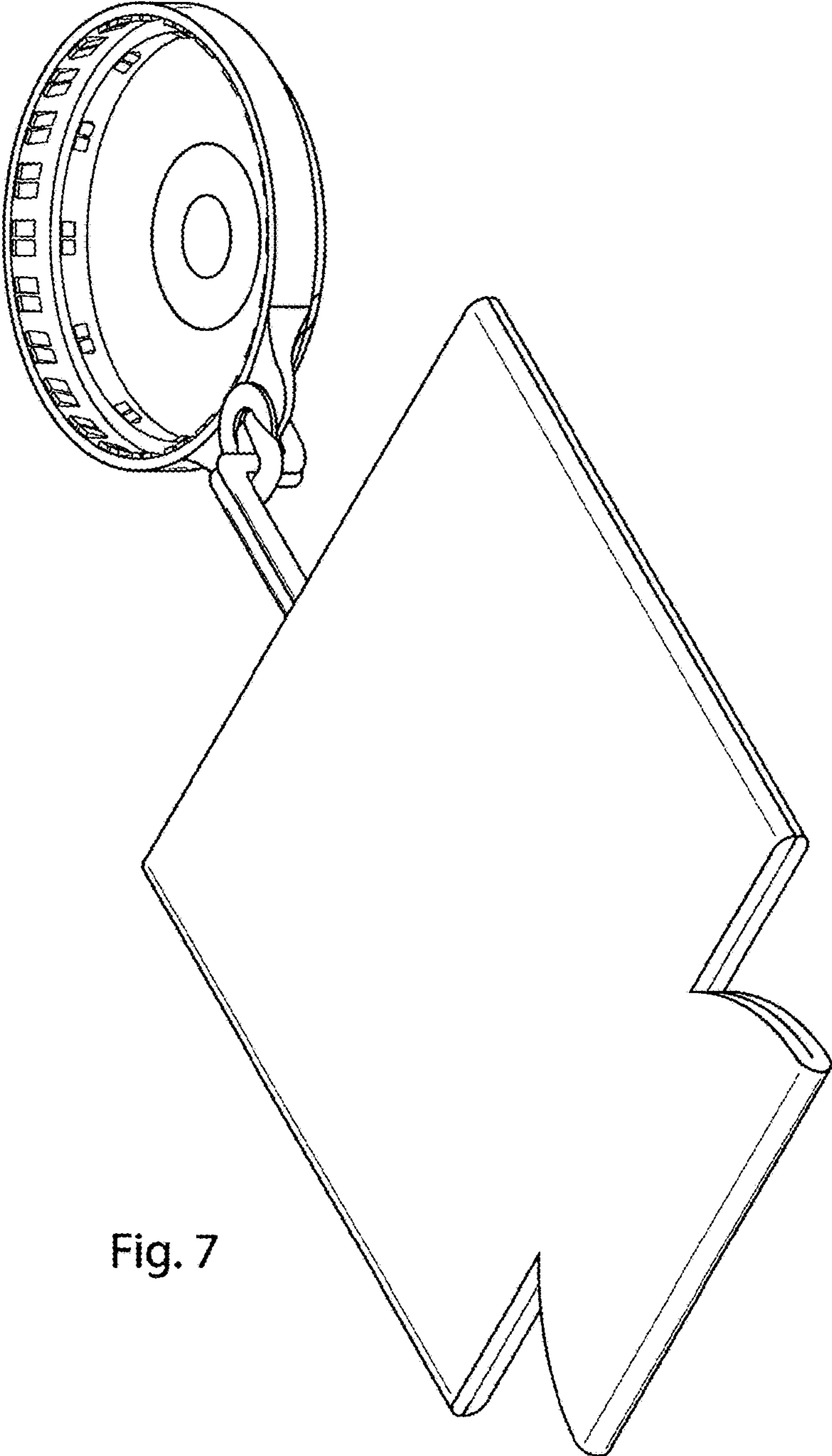


Fig. 7

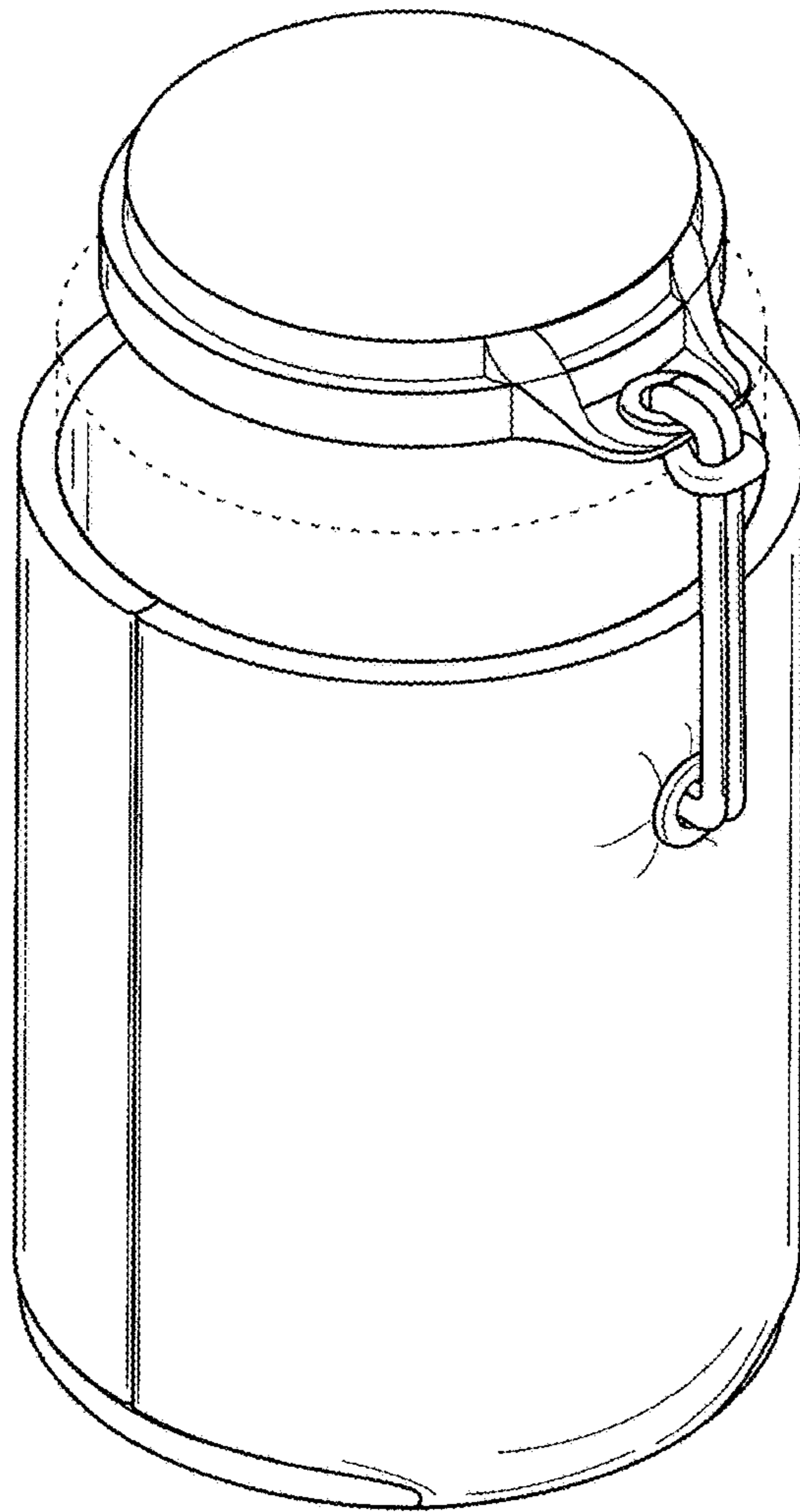


Fig. 8