



US00D776483S

(12) **United States Design Patent**
Chitayat et al.

(10) **Patent No.:** **US D776,483 S**
(45) **Date of Patent:** **** Jan. 17, 2017**

- (54) **BOTTLE WITH CUTTER**
- (71) Applicant: **FC Brands Limited**, Central Hong Kong (HK)
- (72) Inventors: **David Dennys Chitayat**, Shanghai (CN); **Heather Tomasetti Kauffman**, Brooklyn, NY (US); **Pieter Schouten**, Berkeley, CA (US)
- (73) Assignee: **FC BRANDS LIMITED**, Central Hong Kong (HK)
- (**) Term: **14 Years**
- (21) Appl. No.: **29/518,955**
- (22) Filed: **Feb. 27, 2015**
- (51) **LOC (10) Cl.** **07-01**
- (52) **U.S. Cl.**
USPC **D7/507; D7/510; D7/511; D7/533; D9/503**
- (58) **Field of Classification Search**
USPC **D7/507, 509, 510, 511, 523, 532, 533, D7/536, 300.1, 598, 608, 396.6, 624.2, D7/607, 629, 317, 305; D9/500, 501, 503, D9/504, 517, 523, 526, 434, 435, 436, D9/440, 447, 905, 903; D3/202; D24/197; 220/592.16, 592.17, 592.2, 4.21; 206/205; 210/474, 475, 476; 99/322, 323, 495, 303**
CPC **A47G 19/2211; A47G 19/22; A47G 19/2266; A47G 19/2272; A47J 43/27; Y10S 220/903**
See application file for complete search history.

(56) **References Cited**

U.S. PATENT DOCUMENTS

- D416,195 S * 11/1999 Faughey D9/719
- D507,753 S * 7/2005 Lamb D9/504
- D640,093 S * 6/2011 Picozza D7/376
- D662,419 S * 6/2012 Potts D7/509
- D670,134 S * 11/2012 Di Lollo D7/300.1

- D700,014 S * 2/2014 Zeanah D7/510
- D700,517 S * 3/2014 Oommen D9/500
- D702,079 S * 4/2014 Hung D7/392.1
- D709,163 S * 7/2014 Deruntz D23/206
- D719,445 S * 12/2014 Caneer D9/447
- D742,174 S * 11/2015 Roth D7/300.2
- D747,619 S * 1/2016 Hampton D7/316
- D747,936 S * 1/2016 Chitayat D7/510
- D751,331 S * 3/2016 Rashid D7/316
- 2014/0004242 A1 * 1/2014 Lefkovitz A23N 1/003 426/489
- 2014/0227416 A1 * 8/2014 Chitayat A47J 19/022 426/489
- 2015/0230651 A1 * 8/2015 Molayem A47J 31/0636 99/322

OTHER PUBLICATIONS

“Wherever Water—Cucumber Water/20 oz. Glass Travel Bottle”, [online], [retrieved on Jan. 7, 2016] Retrieved on <URL: <http://fullcirclehome.com/shop/hydrate/wherever-water-cucumber-water.html>>, 3 pages.

* cited by examiner

Primary Examiner — Marianne Pandozzi
Assistant Examiner — Jae Liang
(74) *Attorney, Agent, or Firm* — Finch & Maloney PLLC

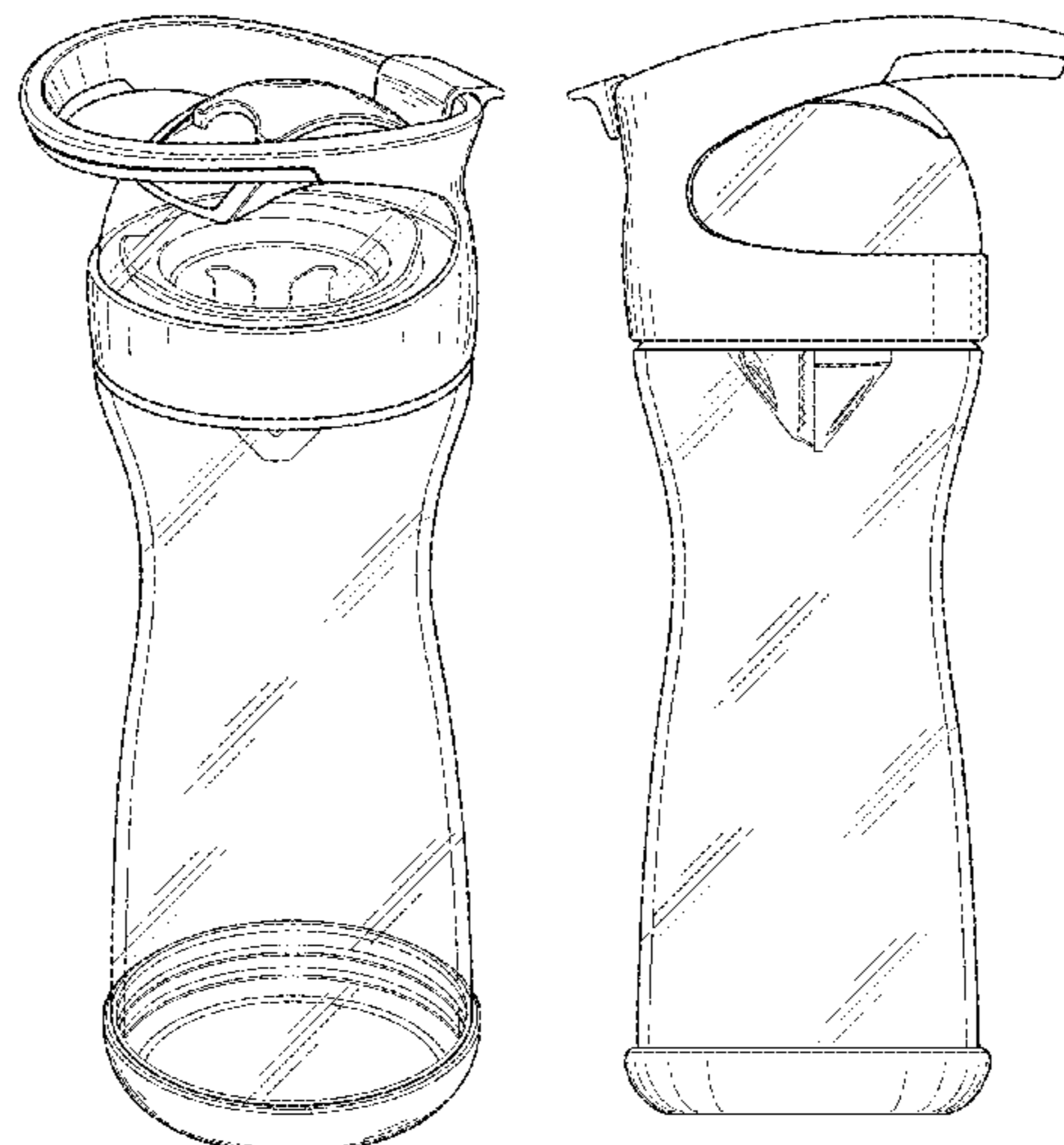
(57) **CLAIM**

The ornamental design for a bottle with cutter, as shown and described.

DESCRIPTION

FIG. 1 is a perspective view of a bottle with cutter showing our new design;
FIG. 2 is a left side elevational view thereof;
FIG. 3 is a front elevational view thereof;
FIG. 4 is a right side elevational view thereof;
FIG. 5 is a rear elevational view thereof;
FIG. 6 is a top elevational view thereof; and,
FIG. 7 is a bottom elevational view thereof.

1 Claim, 7 Drawing Sheets



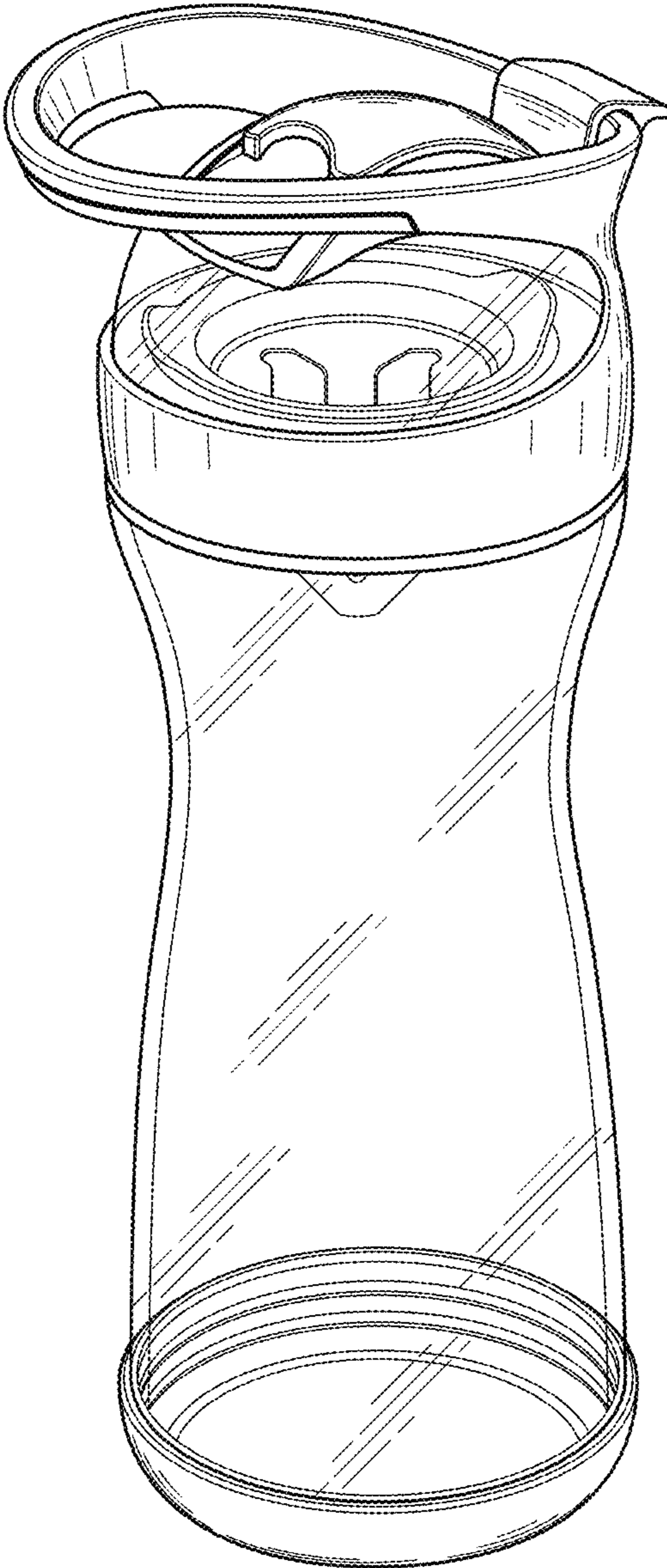


FIG. 1

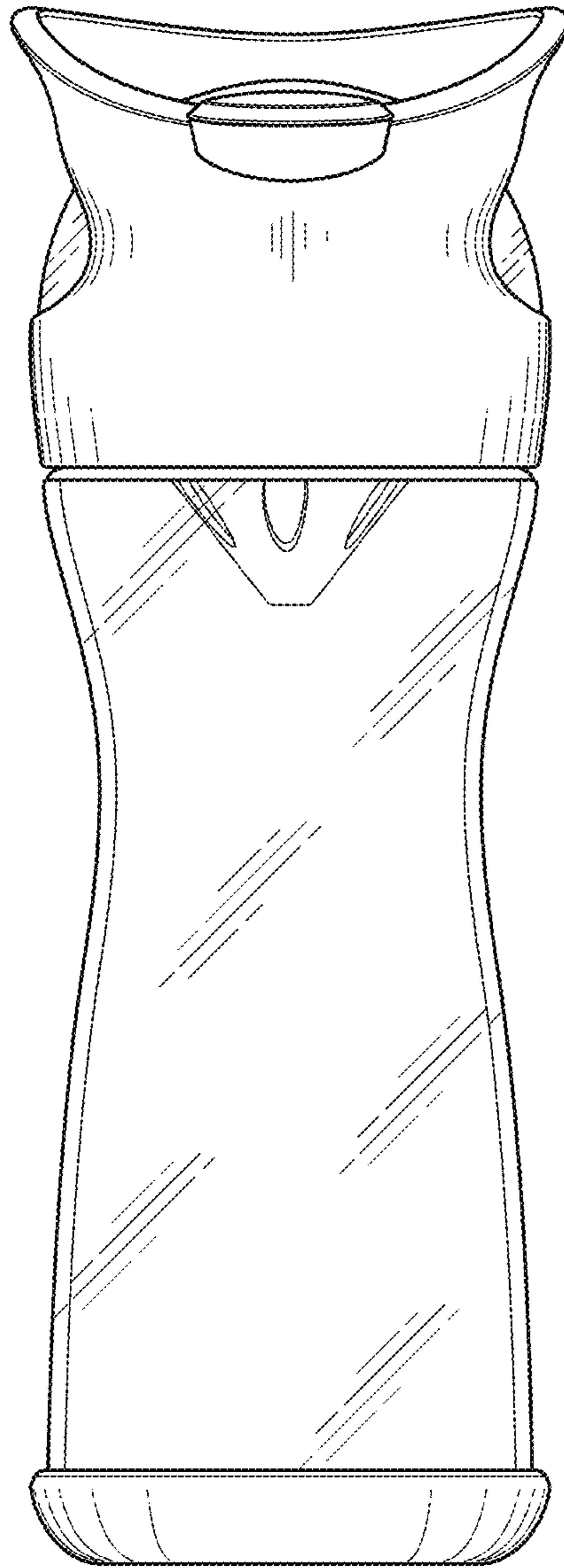


FIG. 2

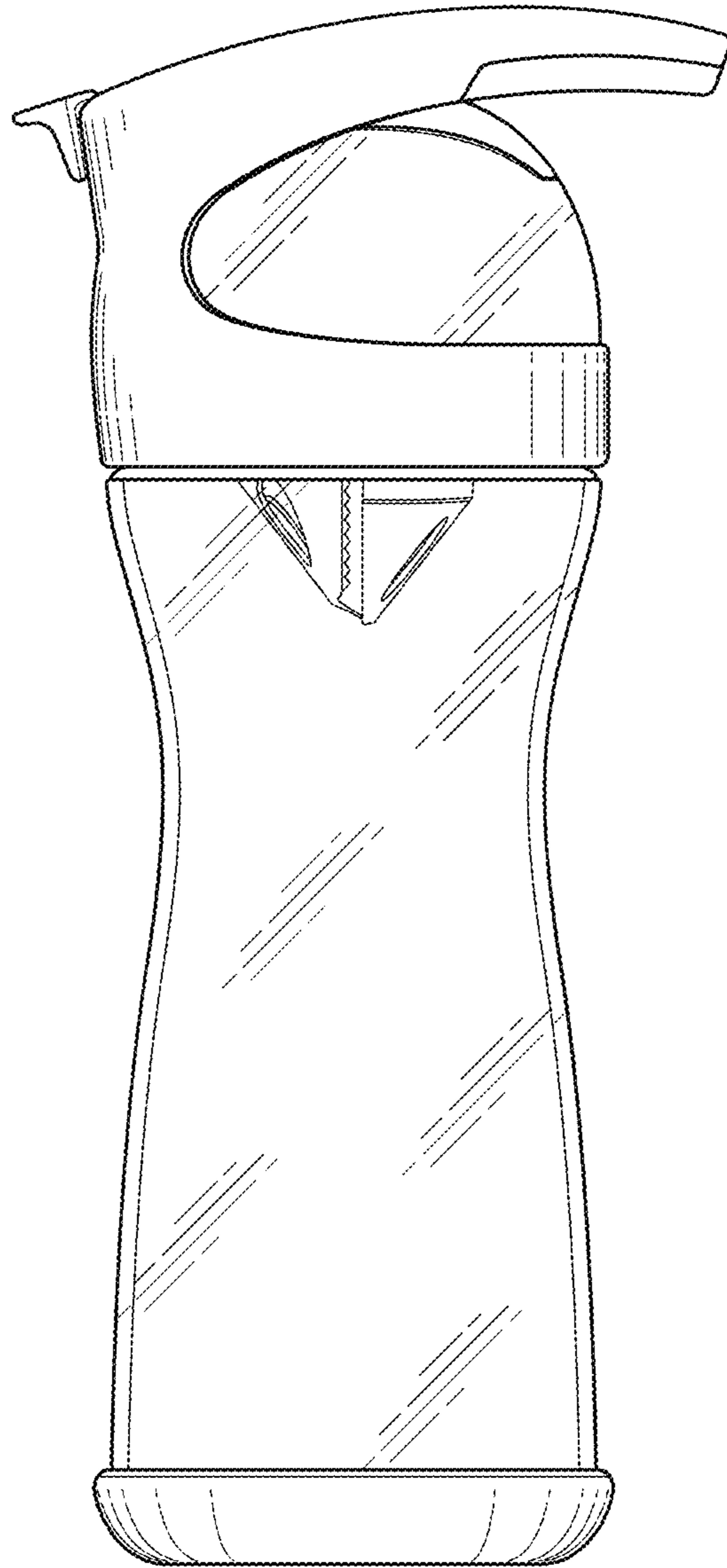


FIG. 3

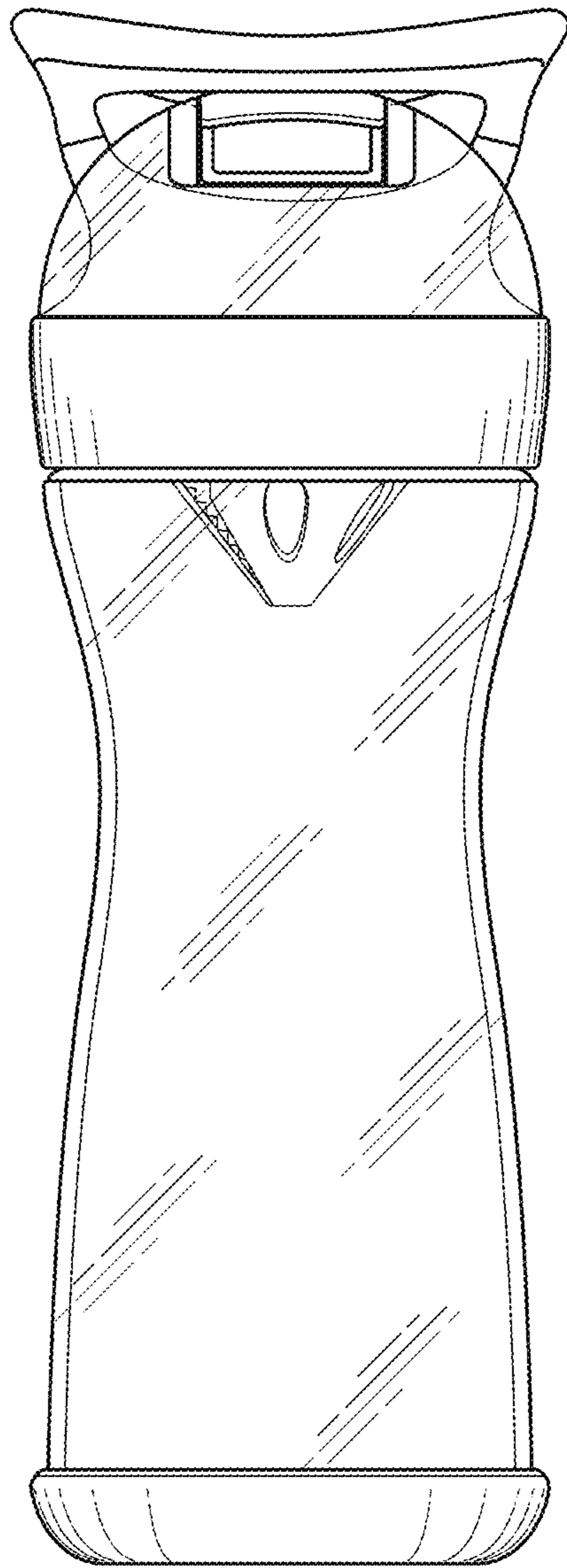


FIG. 4

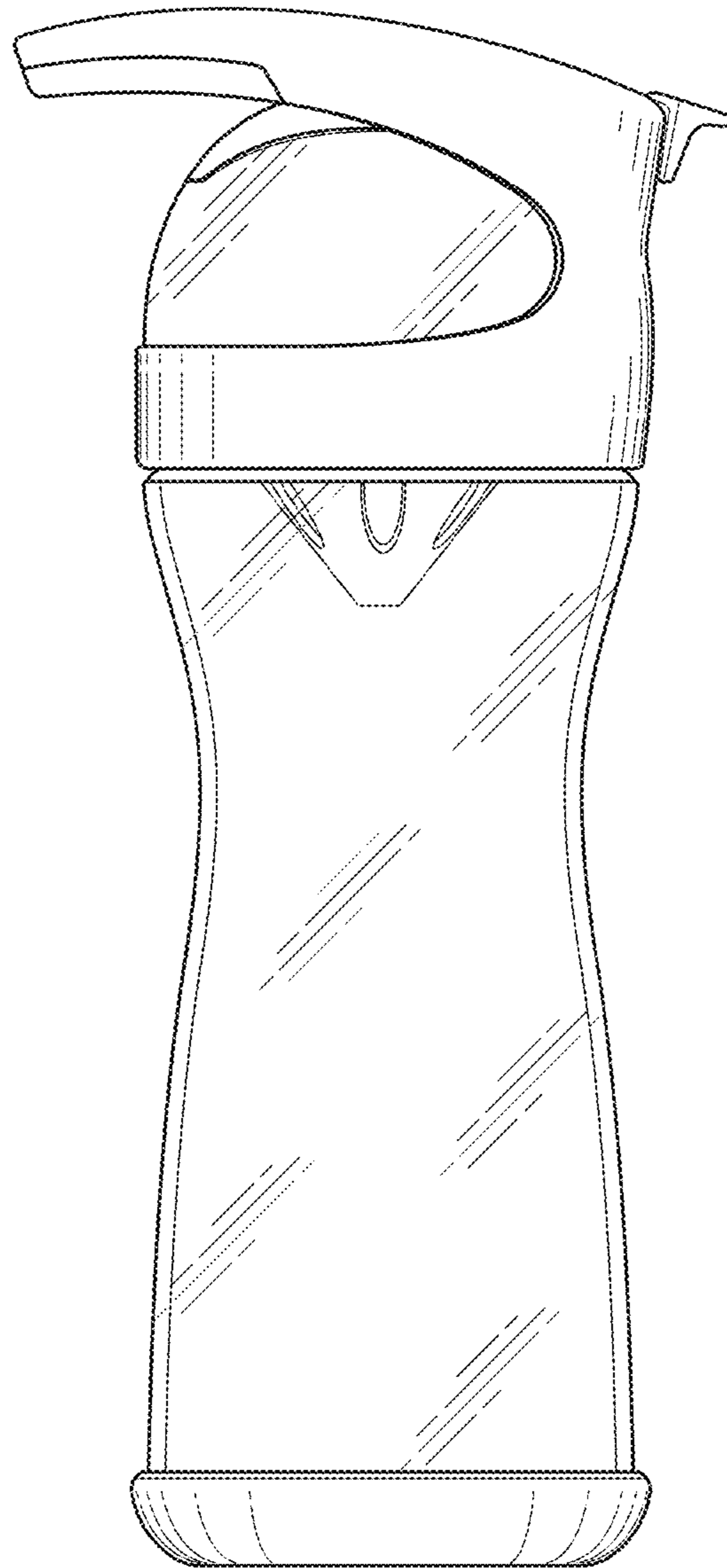


FIG. 5

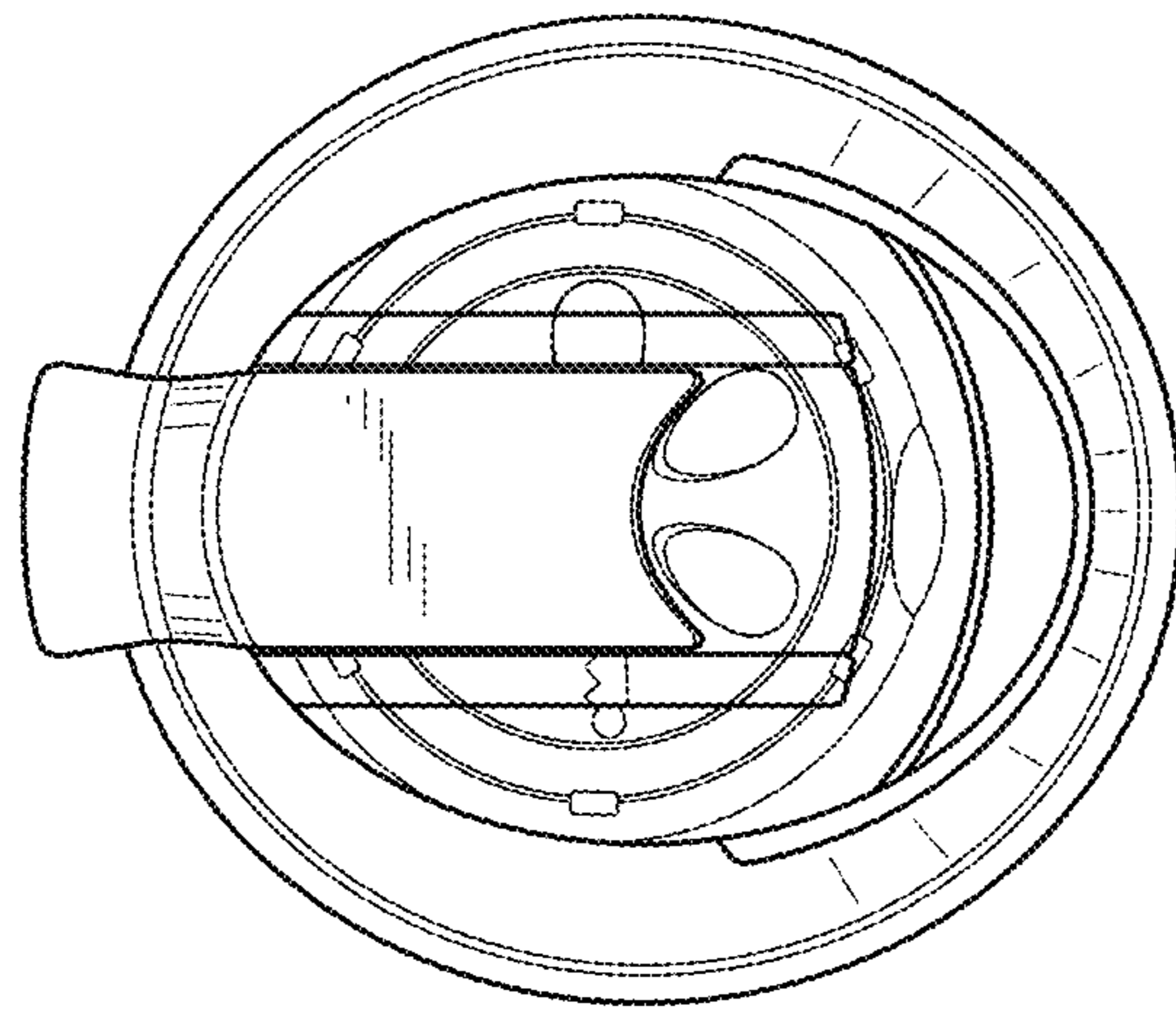


FIG. 6

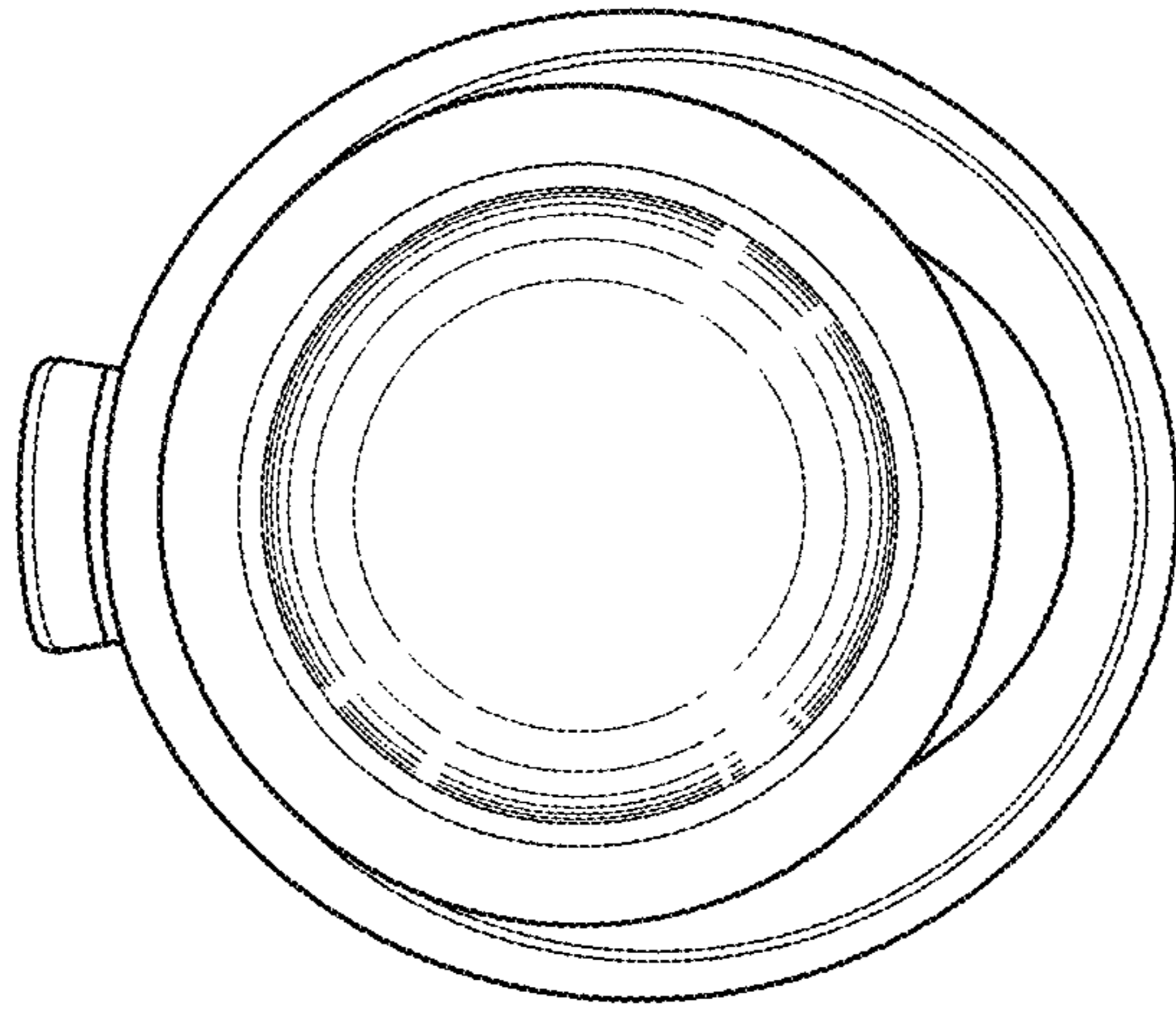


FIG. 7