



US00D776482S

(12) **United States Design Patent**
Lin

(10) **Patent No.:** **US D776,482 S**
(45) **Date of Patent:** **** Jan. 17, 2017**

(54) **CHURNING BALL**

(71) Applicant: **Ningbo Tianqi Molding Co., Ltd.**,
Ningbo (CN)

(72) Inventor: **Zhigang Lin**, Ningbo (CN)

(73) Assignee: **Ningbo Tianqi Molding Co., Ltd.**,
Ningbo (CN)

(**) Term: **15 Years**

(21) Appl. No.: **29/539,096**

(22) Filed: **Sep. 10, 2015**

(30) **Foreign Application Priority Data**

May 15, 2015 (CN) 2015 3 0145464

(51) **LOC (10) Cl.** **31-00**

(52) **U.S. Cl.**
USPC **D7/412; D7/376; D7/378; D7/384**

(58) **Field of Classification Search**
USPC ... D7/412, 376, 378, 384, 301-313; 99/348,
99/467, 492, 508-512; 108/157.18;
135/100; 416/6, 170, 228, 231 A, 231 R,
416/69, 75-77, 70 R, 163
CPC ... B01F 13/0018; B01F 13/002; B01F 13/005;
B01F 13/0052; B01F 13/00
See application file for complete search history.

(56) **References Cited**

U.S. PATENT DOCUMENTS

2,198,861 A * 4/1940 Chamberlain B01J 19/30
261/95

2,678,196 A * 5/1954 La June Bear B01F 13/002
241/170

3,429,654 A * 2/1969 Friedrichsen B01J 8/34
261/DIG. 72

D226,346 S * 2/1973 Newman 366/273

D232,238 S * 7/1974 La Borde 261/98

4,640,623 A * 2/1987 Tornell B01F 13/002
222/394

4,641,974 A * 2/1987 Church B01F 13/002
366/130

D331,793 S * 12/1992 Erwes D23/209

5,236,262 A * 8/1993 Espey B01F 13/002
222/402.1

D358,659 S * 5/1995 Rohrabacher D21/443

5,544,960 A * 8/1996 Sommovigo A47J 43/27
366/130

5,690,819 A * 11/1997 Chianh A01K 63/045
210/150

5,725,500 A * 3/1998 Micheler A61J 1/062
366/130

5,788,369 A * 8/1998 Tseng A61J 9/00
215/11.2

D414,219 S * 9/1999 Karls D21/371

6,379,032 B1 * 4/2002 Sorensen B01F 13/002
366/130

D551,899 S * 10/2007 Roehrig D7/376
(Continued)

Primary Examiner — Mark Goodwin
(74) *Attorney, Agent, or Firm* — Wang Law Firm, Inc.

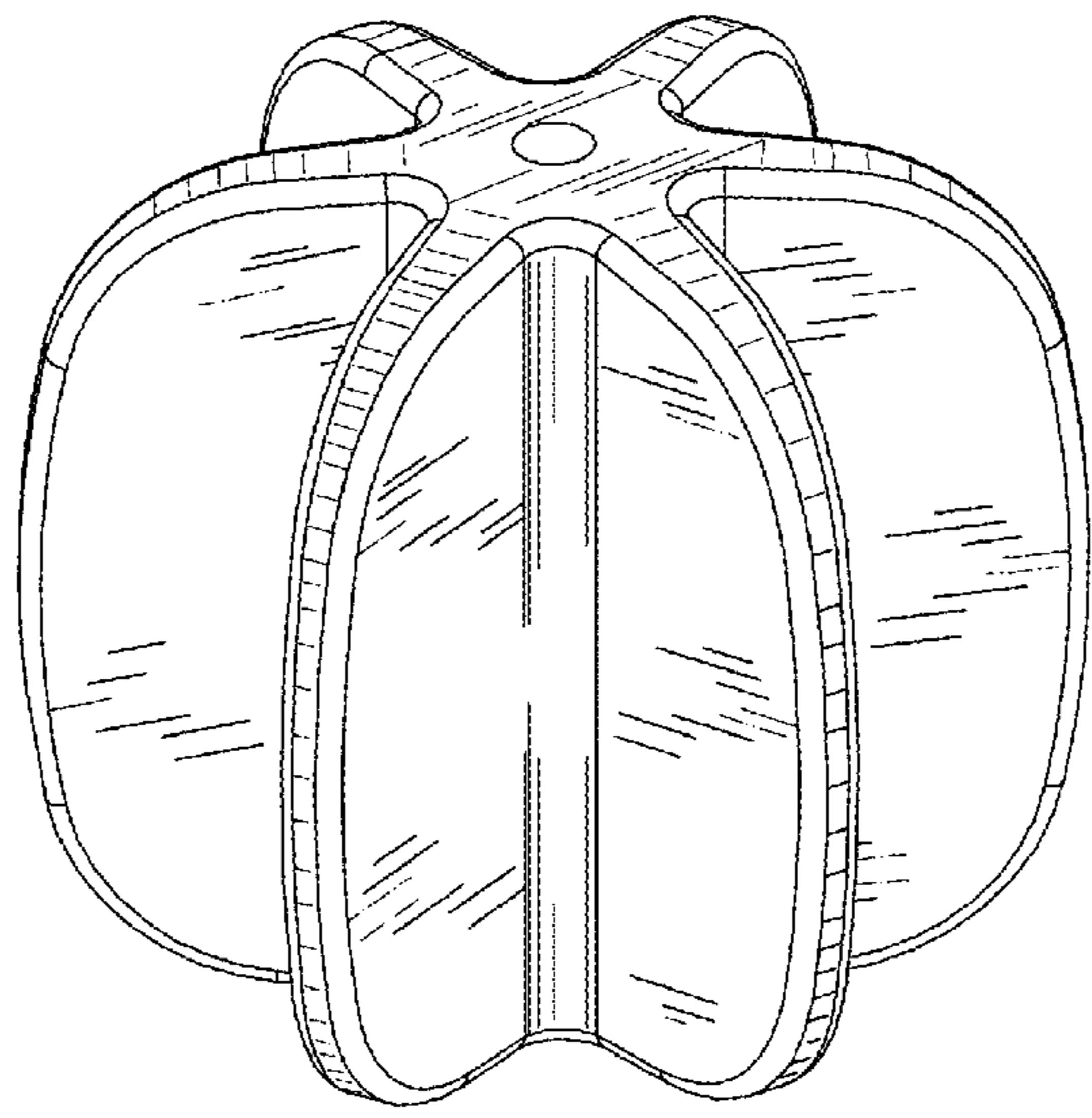
(57) **CLAIM**

The ornamental design for a churning ball, as shown and described.

DESCRIPTION

FIG. 1 is a front view of a churning ball showing my new design;
FIG. 2 is a right view thereof;
FIG. 3 is a left view thereof;
FIG. 4 is a rear view thereof;
FIG. 5 is a top view thereof;
FIG. 6 is a bottom view thereof;
FIG. 7 is a perspective view thereof; and,
FIG. 8 is a view of the churning ball in use.
The broken lines shown on the drawings are for the purpose of illustration and form no part of the claimed design.

1 Claim, 5 Drawing Sheets



(56)

References Cited

U.S. PATENT DOCUMENTS

D596,749	S	*	7/2009	Johnson	D24/211
D666,047	S	*	8/2012	Lin	D7/300.1
D675,872	S	*	2/2013	Avila	D7/376
D687,259	S	*	8/2013	Hauser	D7/376
D688,520	S	*	8/2013	Lin	D7/300.1
D705,499	S	*	5/2014	Zamarripa	D30/124
D708,919	S	*	7/2014	Lin	D7/700
D723,325	S	*	3/2015	Enghard	D7/213
D725,431	S	*	3/2015	Enghard	D7/213
D736,559	S	*	8/2015	Enghard	D7/213
9,301,648	B2	*	4/2016	Aliberti	B01F 13/0022
9,427,112	B2	*	8/2016	Aliberti	A47J 43/27
D766,029	S	*	9/2016	Lin	D7/300.1

* cited by examiner

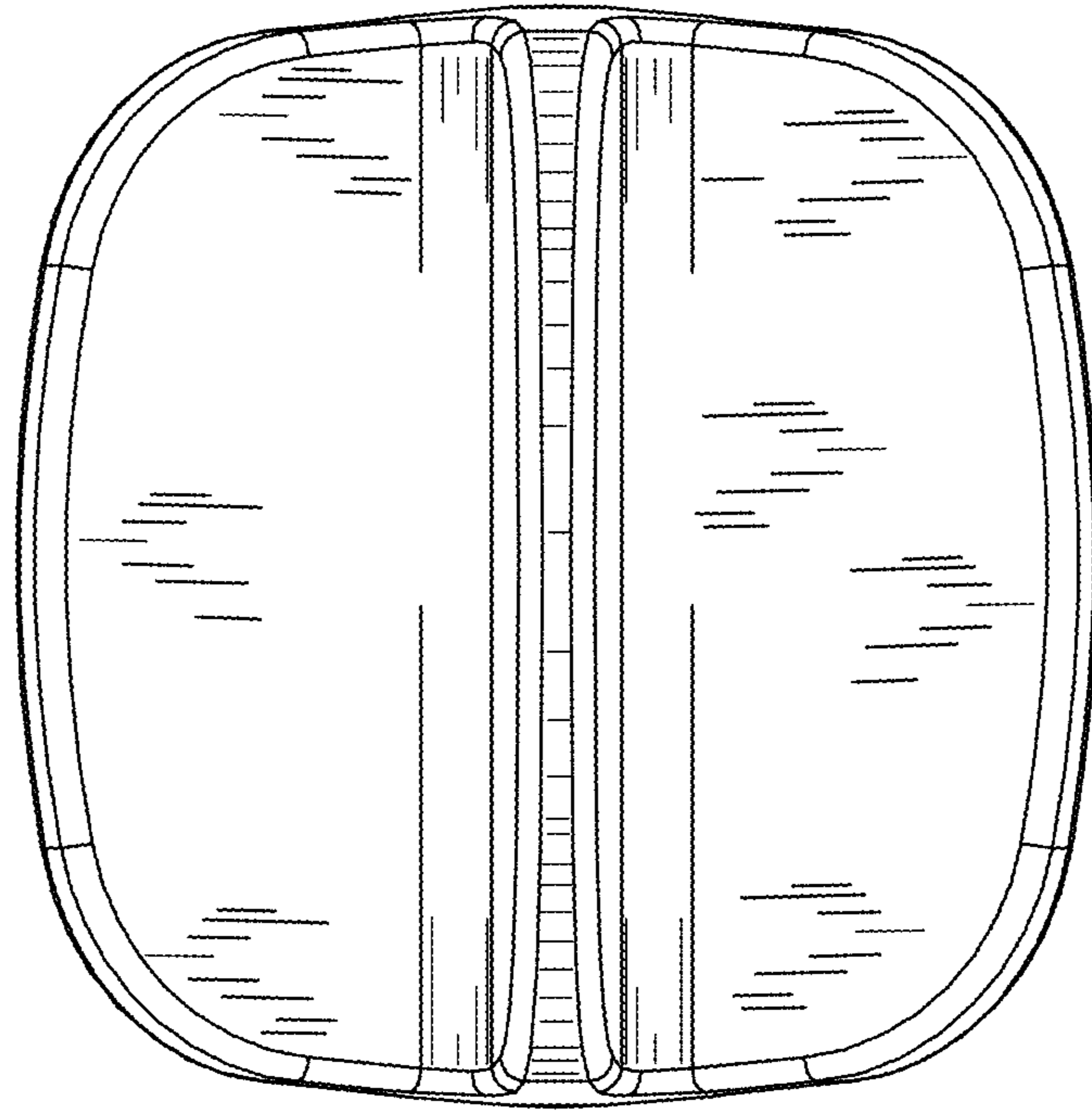


FIG. 1

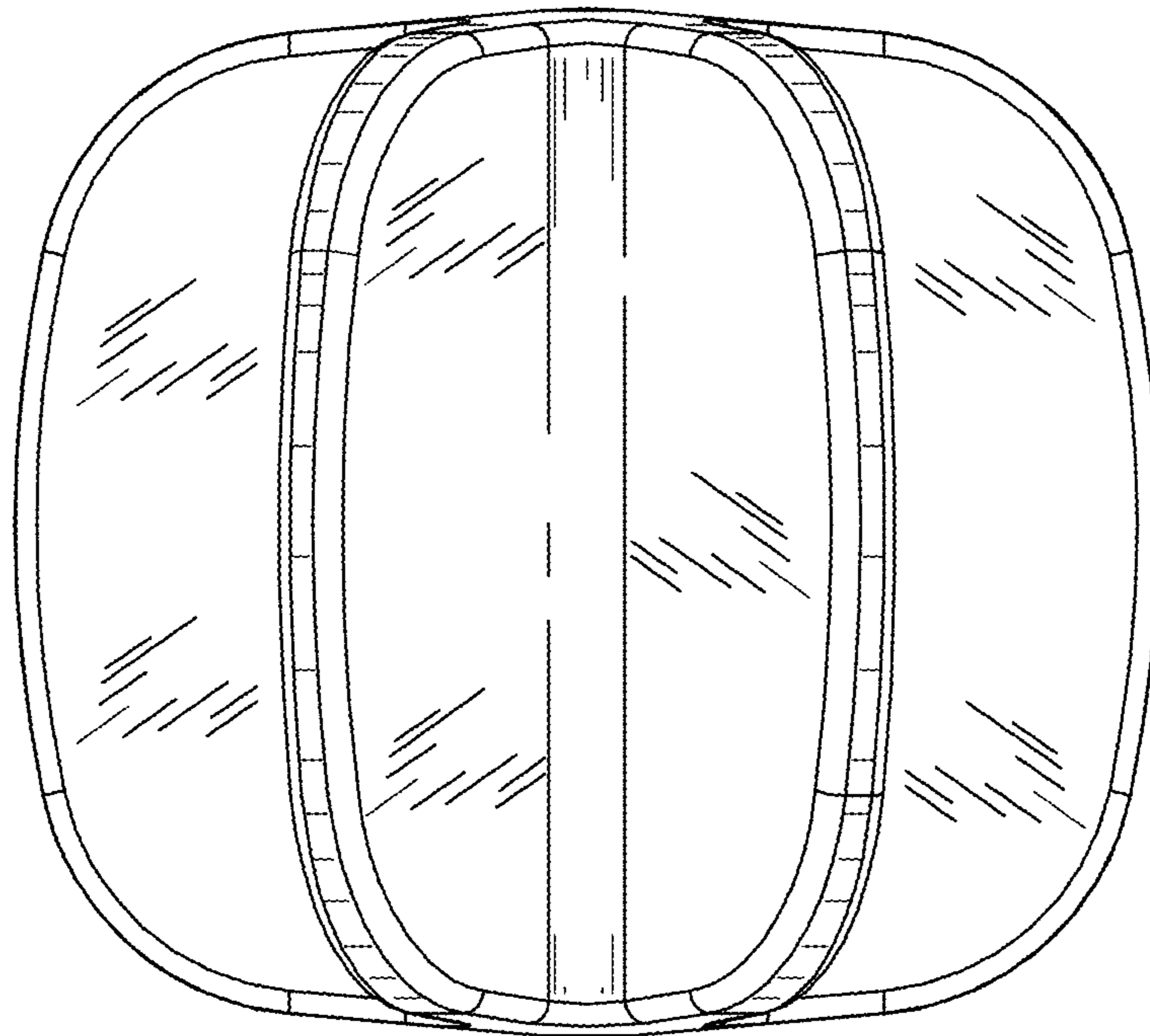


FIG. 2

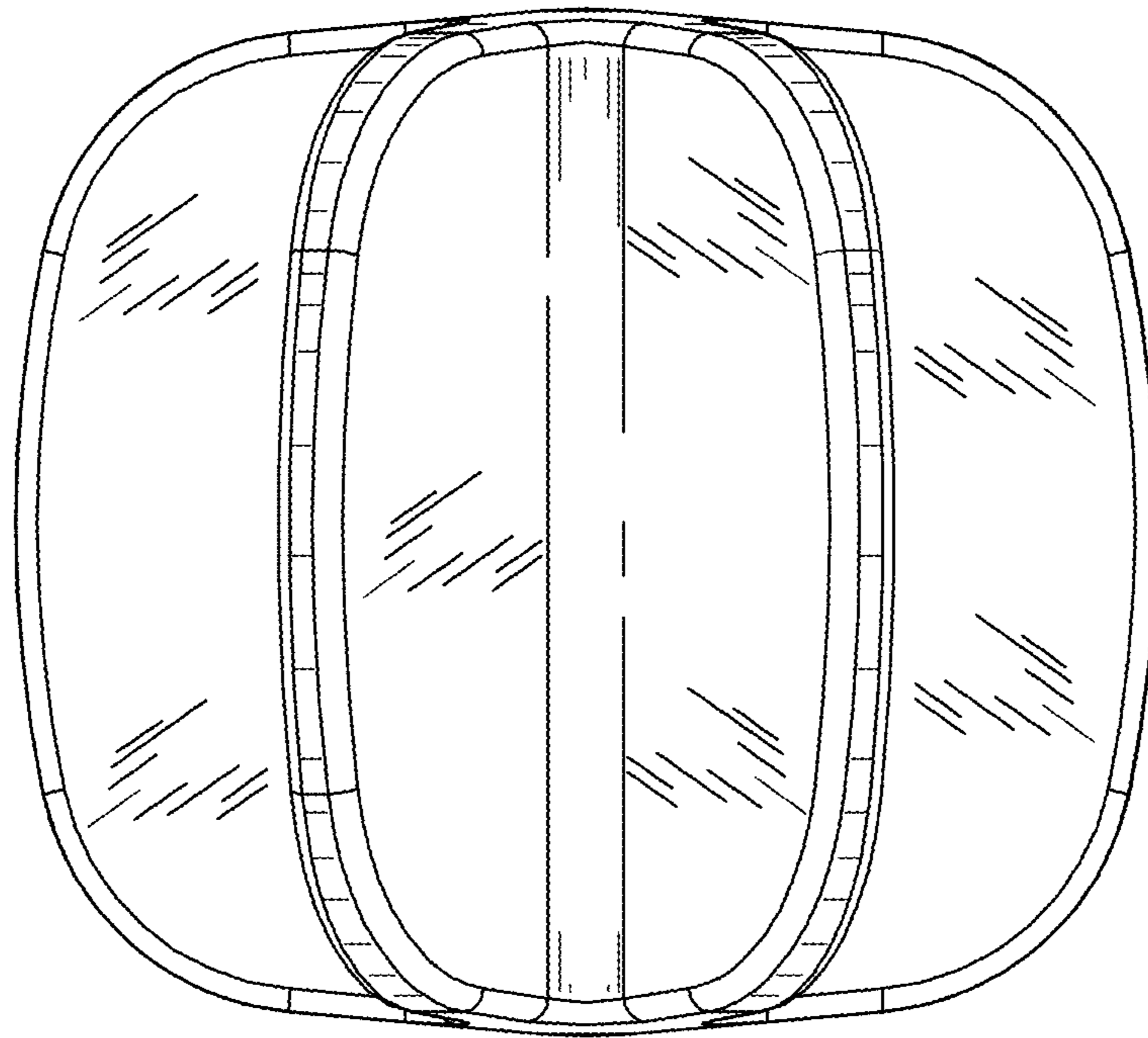


FIG. 3

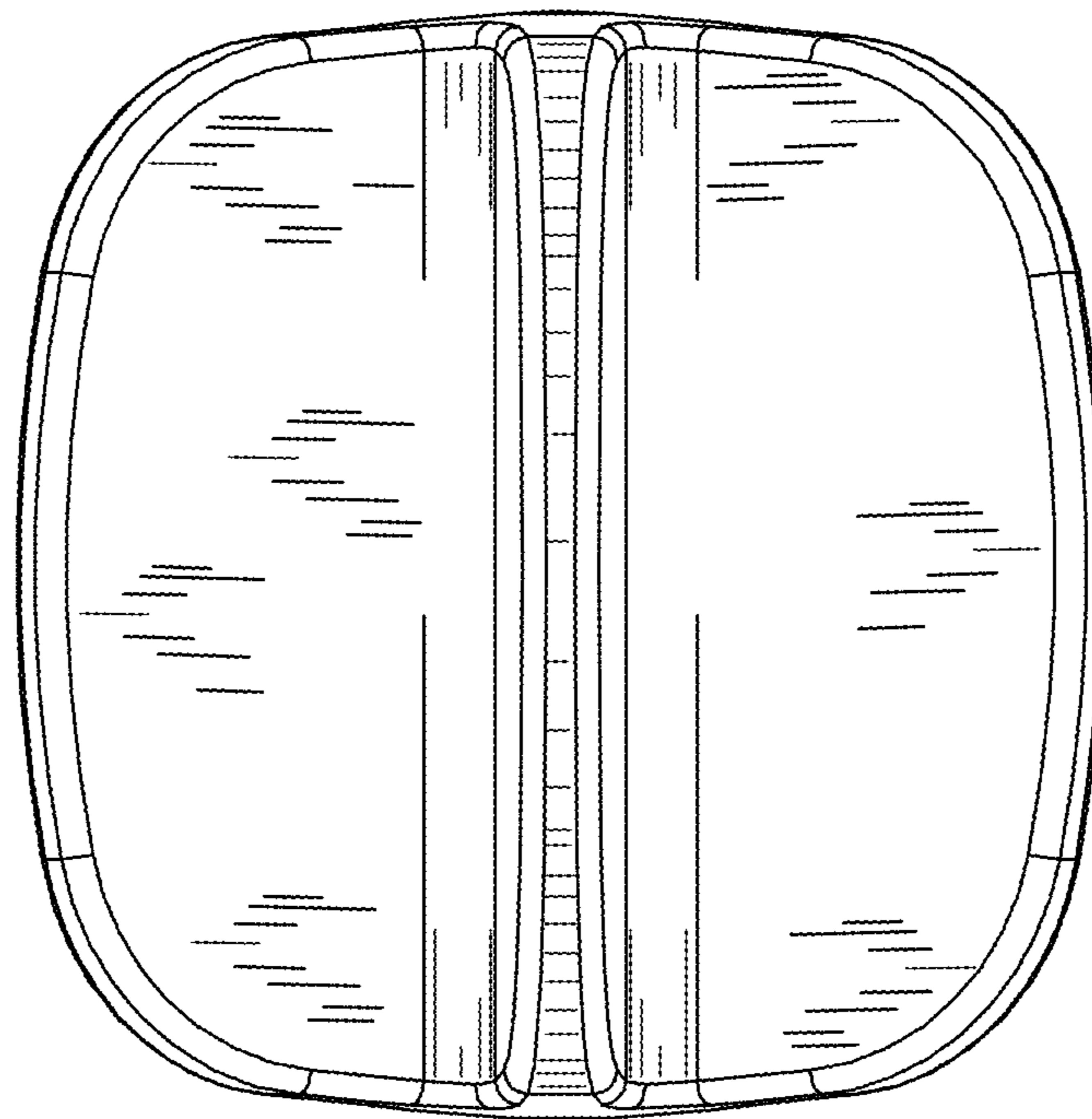


FIG. 4

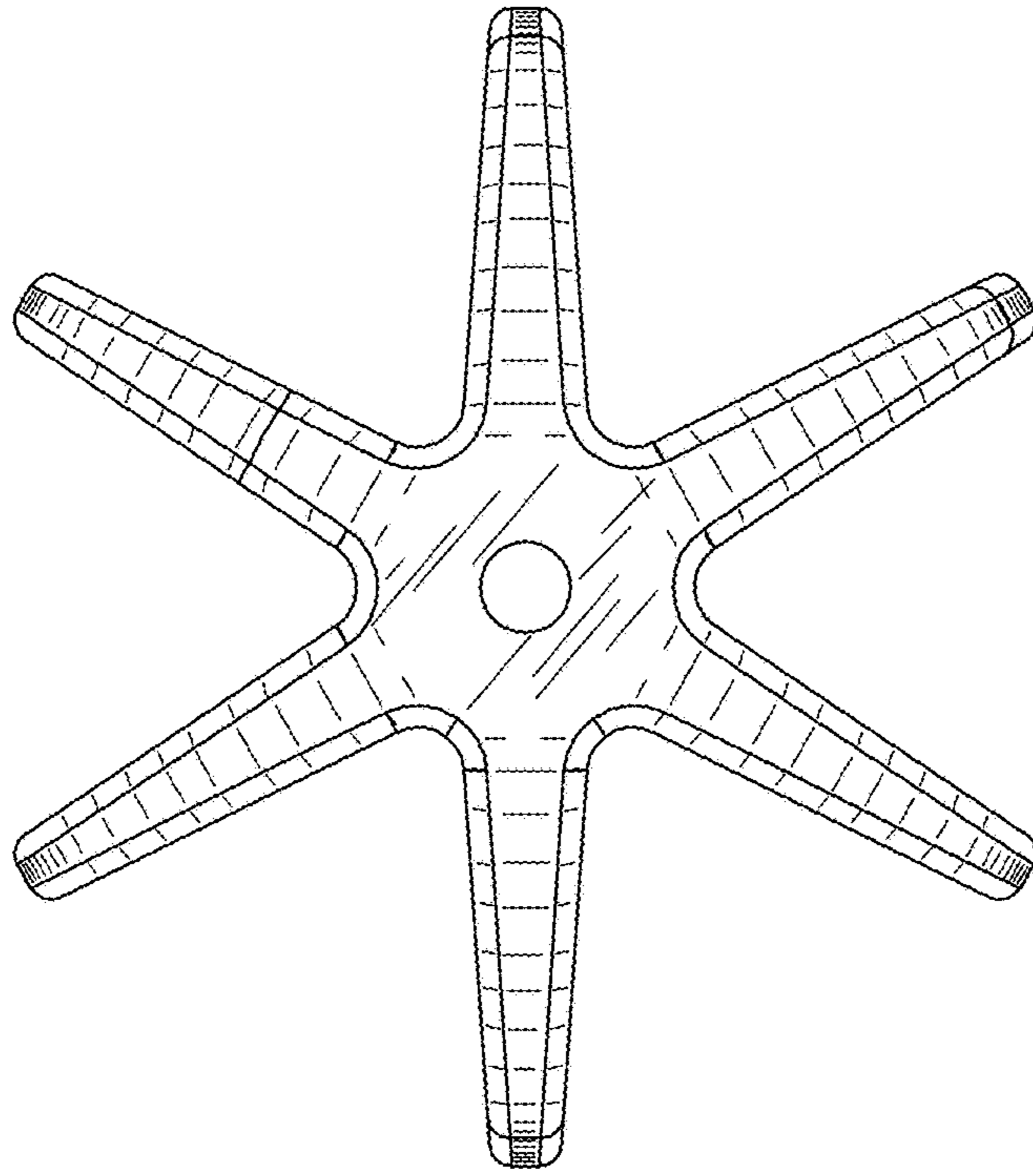


FIG. 5

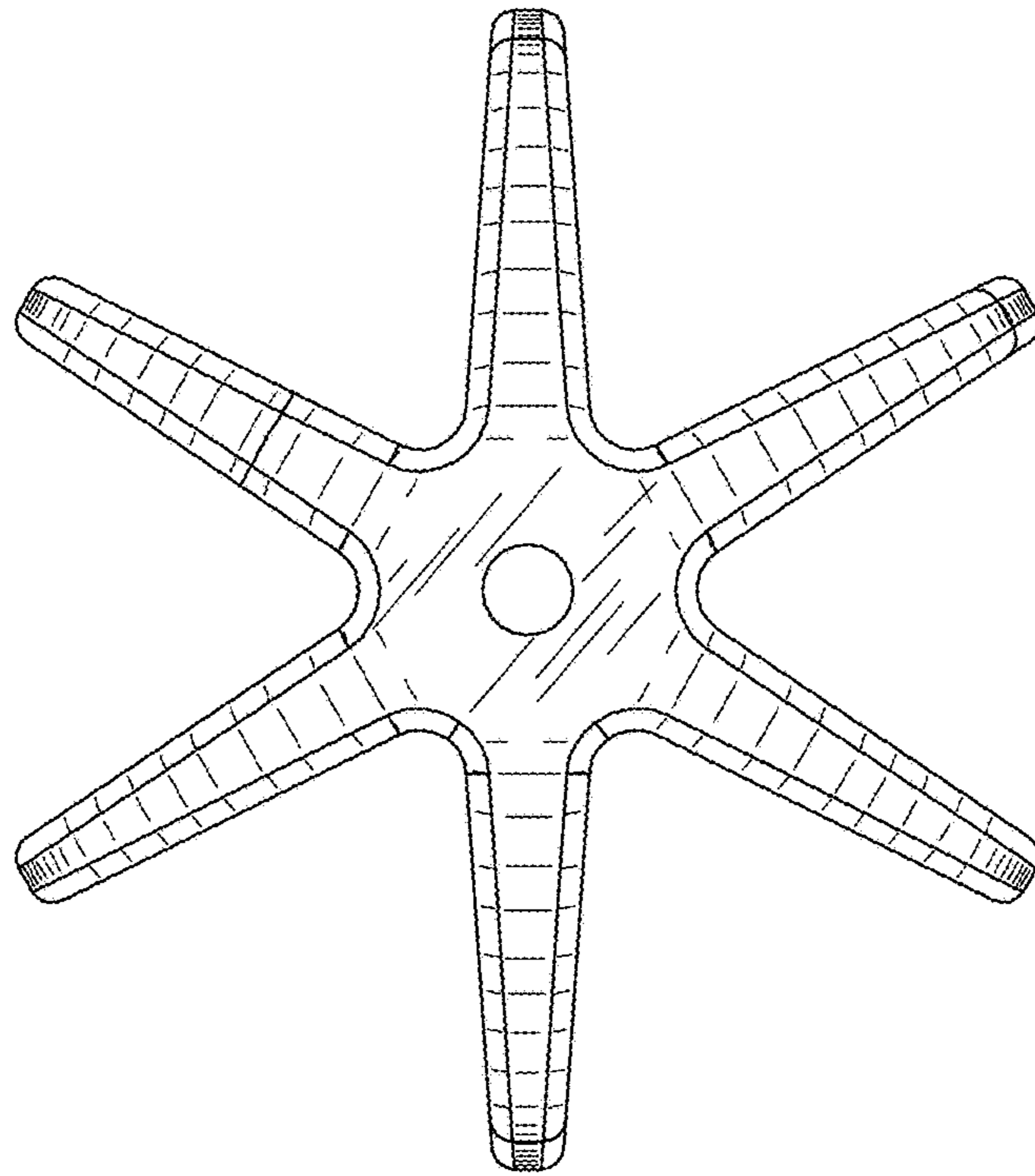


FIG. 6

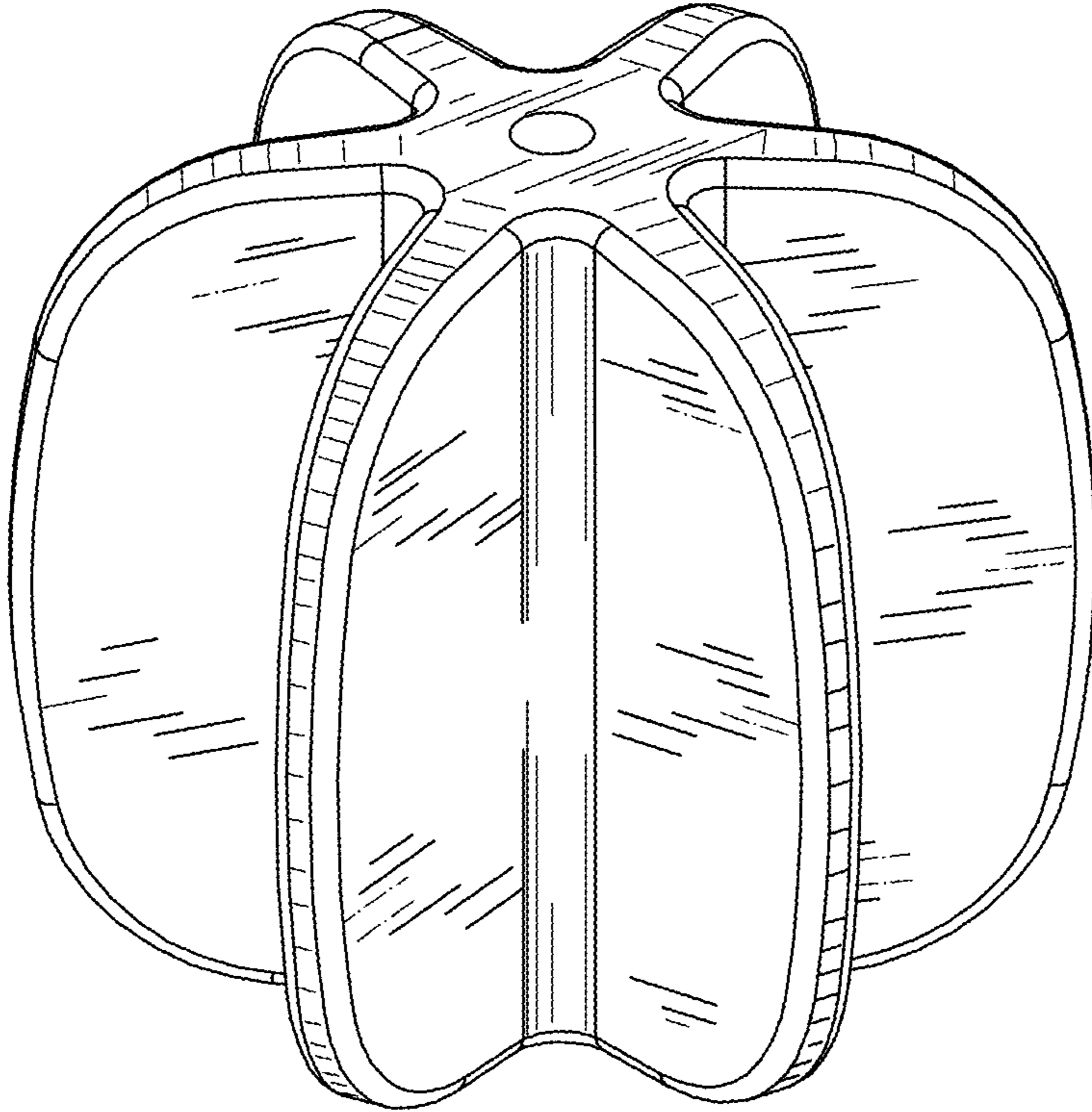


FIG. 7

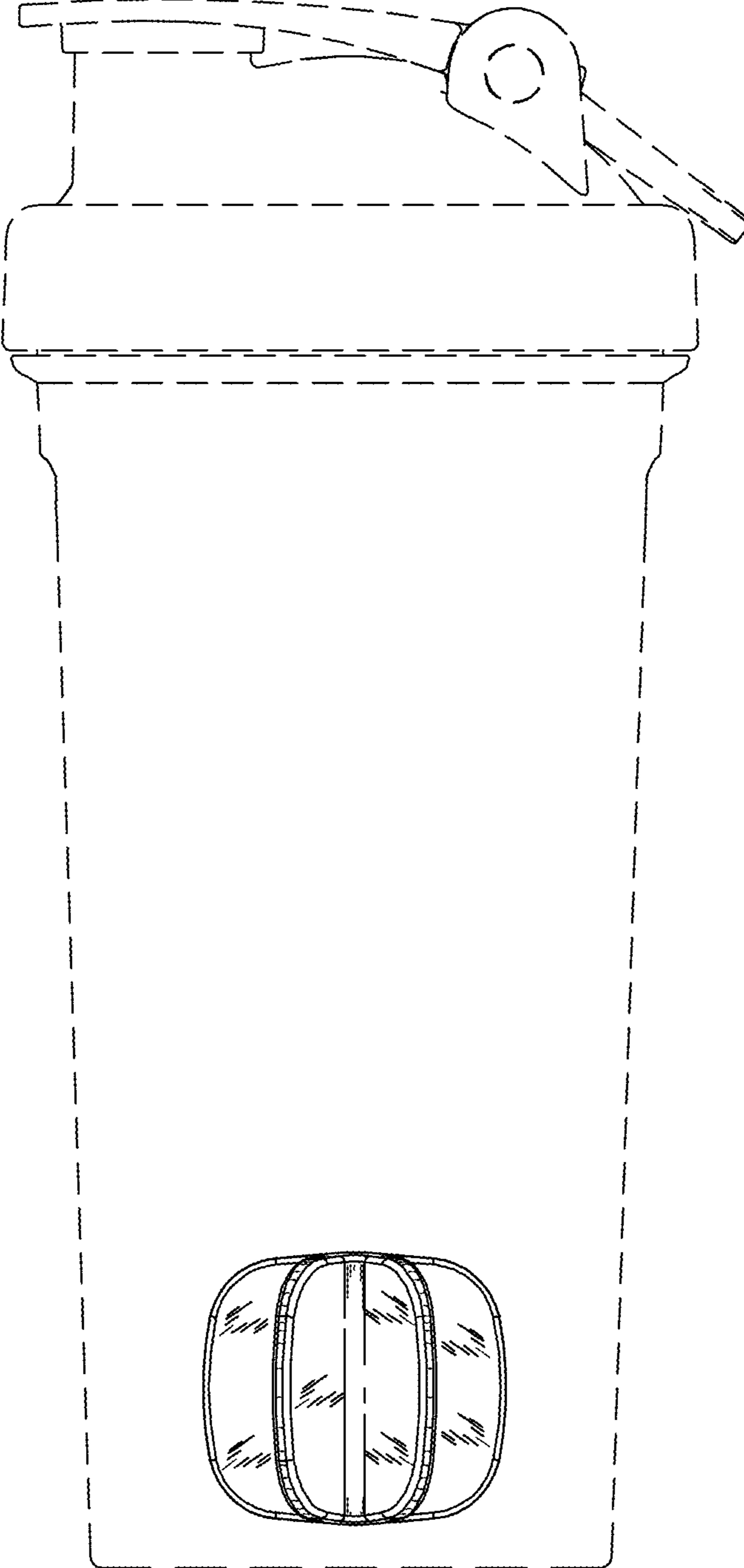


FIG. 8