



US00D776481S

(12) **United States Design Patent**
Moss

(10) **Patent No.:** **US D776,481 S**

(45) **Date of Patent:** **** Jan. 17, 2017**

- (54) **DOUBLE-BARREL GRILL**
- (71) Applicant: **Fred Moss**, La Mesa, CA (US)
- (72) Inventor: **Fred Moss**, La Mesa, CA (US)
- (**) Term: **14 Years**
- (21) Appl. No.: **29/504,336**
- (22) Filed: **Oct. 3, 2014**
- (51) **LOC (10) Cl.** **07-02**
- (52) **U.S. Cl.**
USPC **D7/406**
- (58) **Field of Classification Search**
USPC D7/331-337, 402-409; 126/25 R
CPC ... A47J 37/07-37/0713; A47J 37/06-37/0611;
A47J 2037/0777; A23B 4/042; A23B
4/044
See application file for complete search history.

- 5,341,793 A * 8/1994 Brown A47J 37/0786
126/276
- D352,864 S * 11/1994 Parker D7/334
- 5,480,170 A * 1/1996 Kaiser, II A47B 31/02
108/80
- D378,646 S * 4/1997 Dutro D7/332
- D449,491 S * 10/2001 Measom D7/334
- D460,656 S * 7/2002 Caulder D7/332
- 6,813,995 B1 * 11/2004 Sikes A47J 37/0704
126/21 R
- 7,159,509 B2 * 1/2007 Starkey A47J 37/0704
126/25 R
- D573,837 S * 7/2008 Drewery D7/402
- 7,469,630 B1 * 12/2008 Ray A23B 4/052
99/416

* cited by examiner

Primary Examiner — Susan Bennett Hattan
Assistant Examiner — Brett Miller
(74) *Attorney, Agent, or Firm* — Wagenknecht IP Law
Group PC

(56) **References Cited**

U.S. PATENT DOCUMENTS

- 617,713 A * 1/1899 Brackett A47B 3/10
190/12 R
- 1,582,346 A * 4/1926 Oster F24C 1/16
190/12 R
- 2,497,156 A * 2/1950 Davis A47B 3/10
190/12 R
- D229,660 S * 12/1973 Gammon D7/332
- 4,664,026 A * 5/1987 Milloy A47J 37/0704
99/352
- 4,665,891 A * 5/1987 Nemec A47J 37/0704
126/25 R
- 5,033,449 A * 7/1991 Hanagan A47J 37/0704
126/25 A
- D342,121 S * 12/1993 Lim D7/332

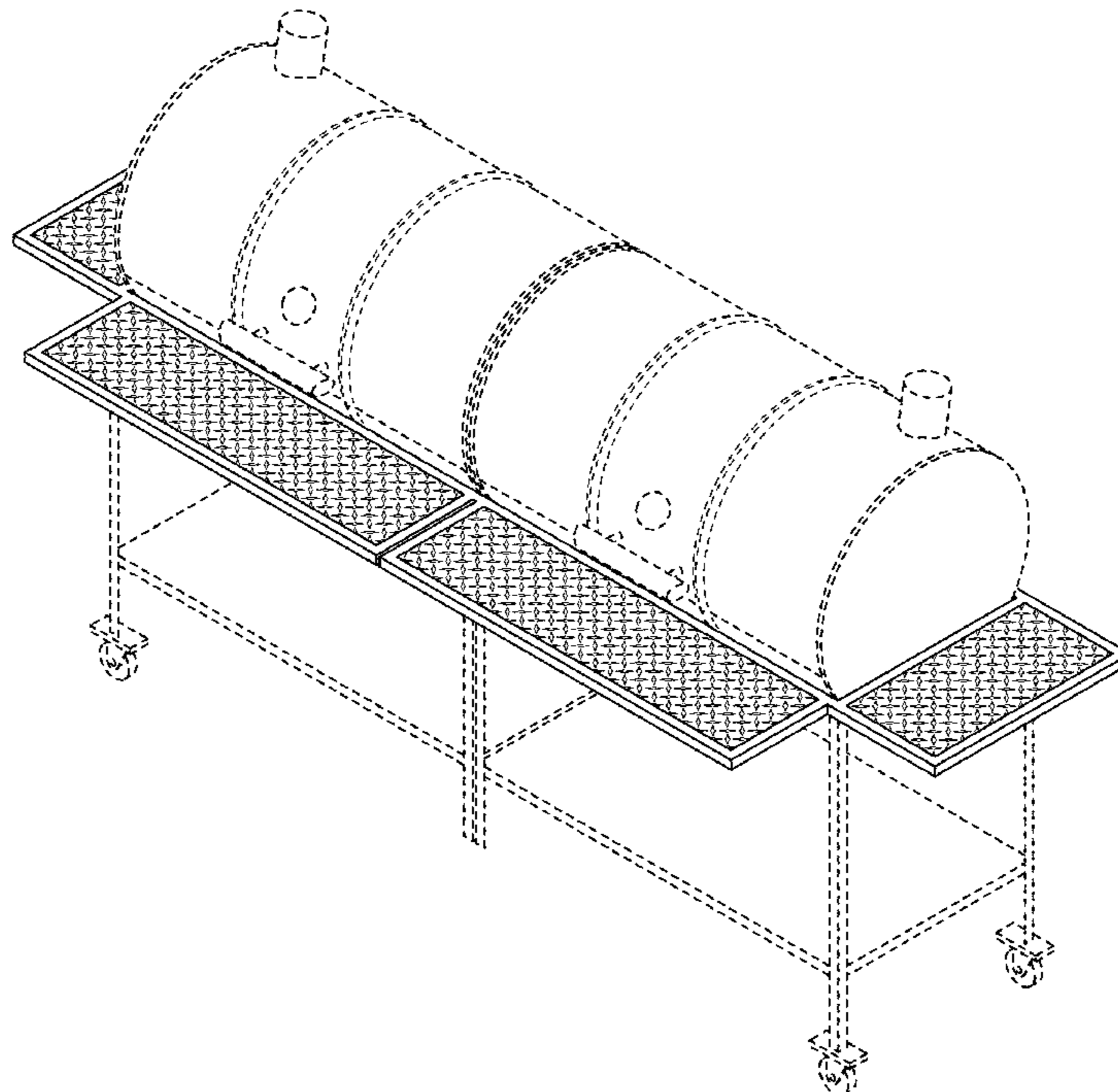
(57) **CLAIM**

The ornamental design for a double-barrel grill, as shown and described.

DESCRIPTION

FIG. 1 is a perspective view of a double-barrel grill incorporating diamond plate shelving; and, FIG. 2 is a top view of the double-barrel grill shown in FIG. 1. The broken lines in the drawing figures depict unclaimed environment and form no part of the claimed design.

1 Claim, 2 Drawing Sheets



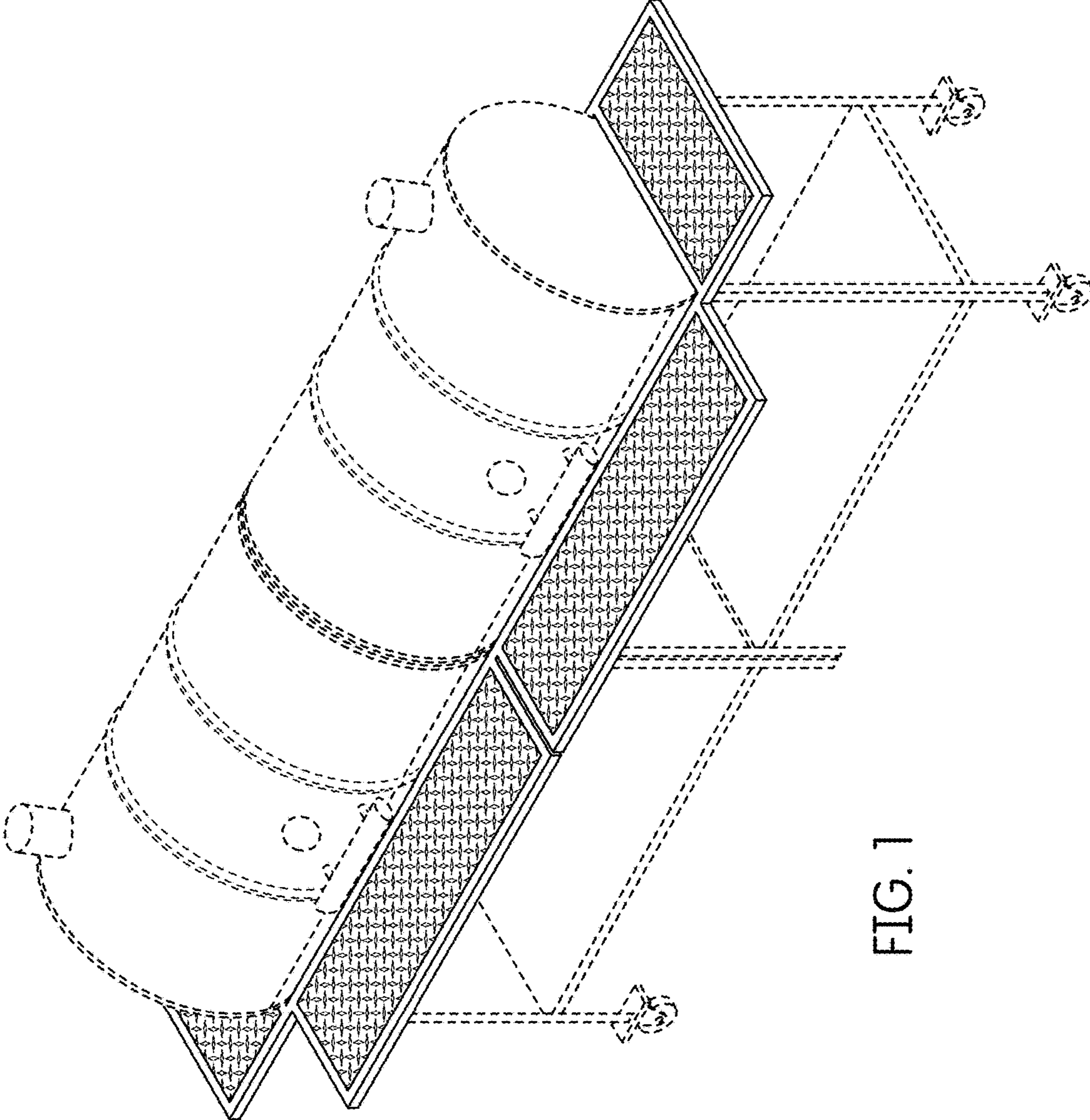


FIG. 1

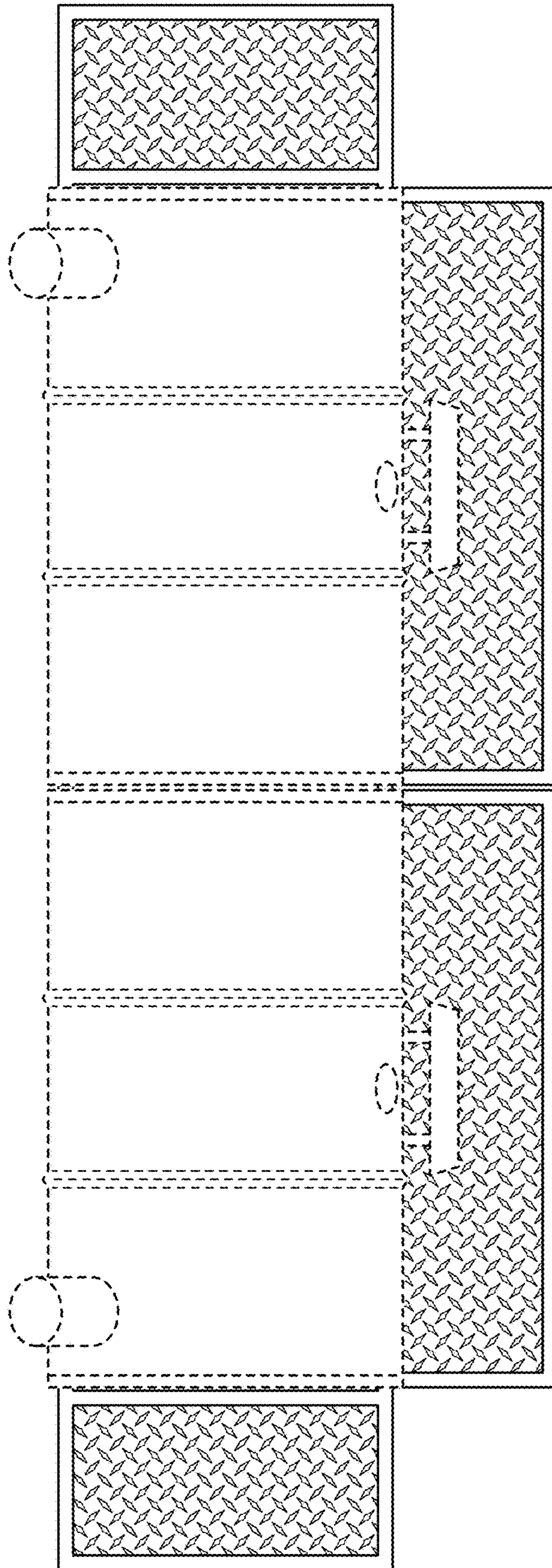


FIG. 2