



US00D776479S

(12) **United States Design Patent**
Munari

(10) **Patent No.:** **US D776,479 S**

(45) **Date of Patent:** **** Jan. 17, 2017**

- (54) **SIDE-HANDLE FOR COOKWARE**
- (71) Applicant: **LA TERMOPLASTIC F.B.M. S.R.L.**,
Arsago Seprio (VA) (IT)
- (72) Inventor: **Marco Munari**, Cardano al Campo (IT)
- (73) Assignee: **LA TERMOPLASTIC F.B.M. S.R.L.**,
Arsago Seprio (VA) (IT)
- (**) Term: **15 Years**
- (21) Appl. No.: **29/536,025**
- (22) Filed: **Aug. 12, 2015**
- (30) **Foreign Application Priority Data**

Feb. 16, 2015 (EM) 002634618

(51) **LOC (10) Cl.** **07-02**

(52) **U.S. Cl.**
USPC **D7/394**

(58) **Field of Classification Search**
USPC D7/354-361, 391, 393-395, 396.2, 514,
D7/664; D8/107, 300, 301, 306, 315, 316,
D8/317, 319, 320, 321; D3/318
CPC A47J 45/06; A47J 45/061; A47J 45/62;
A47J 45/08; A47J 45/085; B65D 25/2802;
B65D 25/2882; B65D 25/2885; B65D
25/2888; B65D 25/2894; Y10S 220/912
See application file for complete search history.

(56) **References Cited**

U.S. PATENT DOCUMENTS

- 3,661,296 A * 5/1972 Hamer A47J 45/062
219/148
- 3,774,263 A * 11/1973 Day A47B 95/02
16/444

- D277,257 S * 1/1985 Cesaroni D7/394
- D344,431 S * 2/1994 Welch D7/393
- D348,178 S * 6/1994 Munari D7/393
- D444,345 S * 7/2001 Rae D7/394
- D496,557 S * 9/2004 Munari D7/394
- D510,231 S * 10/2005 Coudurier D7/393
- D516,377 S * 3/2006 Plichon D7/394
- D555,423 S * 11/2007 Hoff D7/393
- D561,524 S * 2/2008 Munari D7/394
- D617,604 S * 6/2010 Munari D7/393
- D680,806 S * 4/2013 Munari D7/394

* cited by examiner

Primary Examiner — Cynthia M Chin

(74) *Attorney, Agent, or Firm* — Hedman & Costigan,
P.C.; James V. Costigan; Kathleen A. Costigan

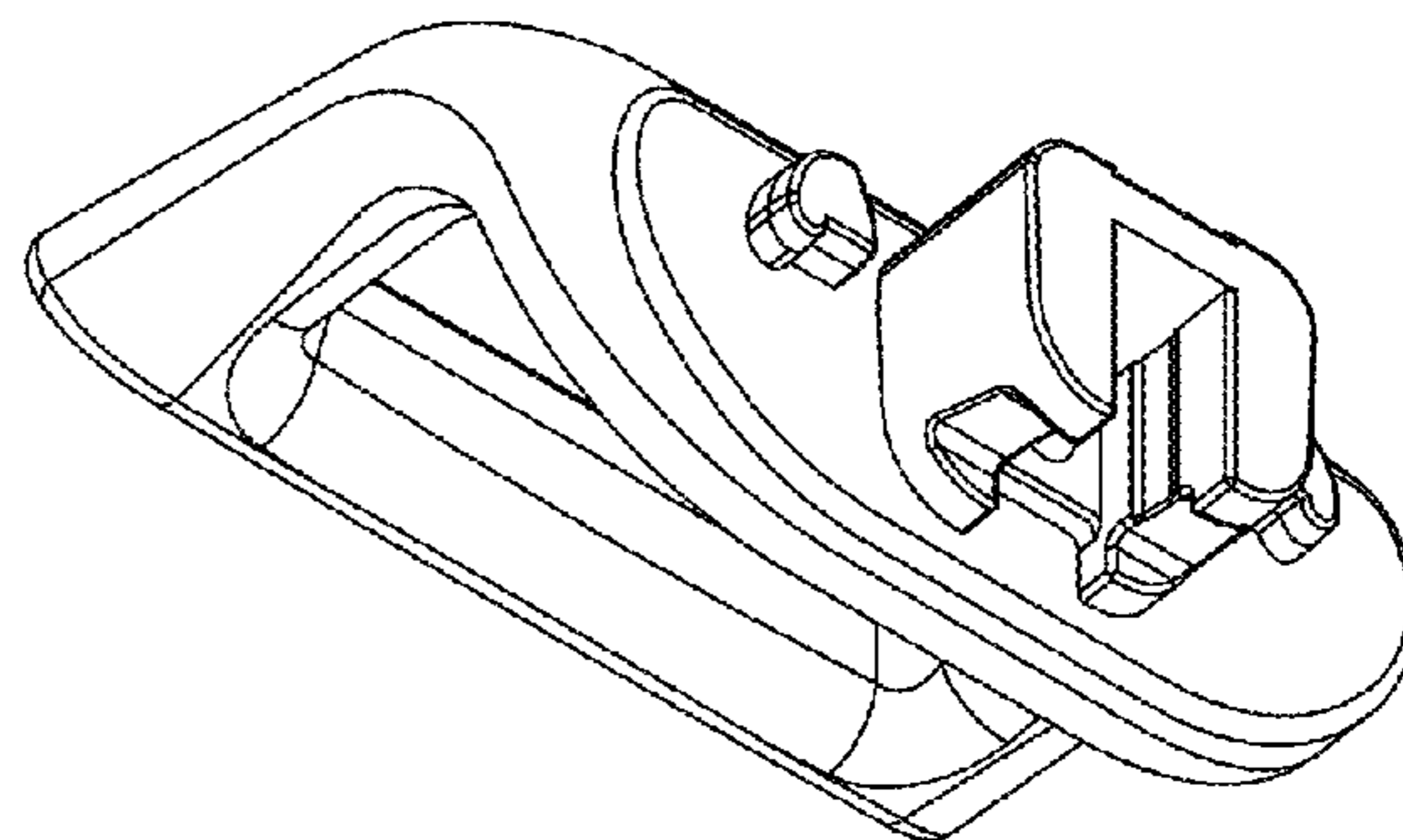
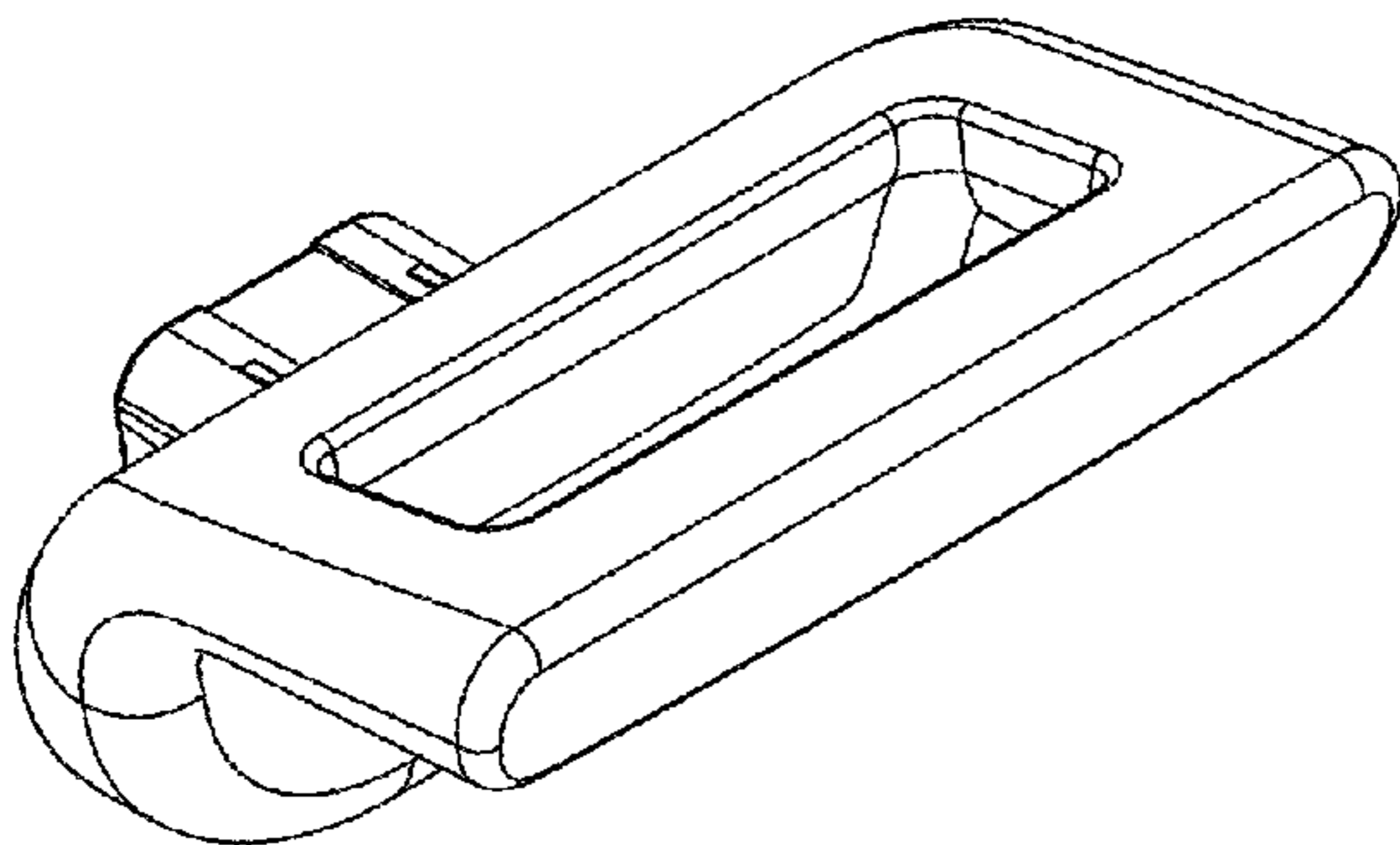
(57) **CLAIM**

I claim the ornamental design for a side-handle for cook-
ware, as shown and described.

DESCRIPTION

FIG. 1 is a top perspective view of a side-handle for
cookware according to the present invention;
FIG. 2 is a bottom perspective view thereof;
FIG. 3 front elevational view thereof;
FIG. 4 is rear elevational view thereof;
FIG. 5 is a left side elevational view thereof; the right side
elevational view being a mirror image thereof;
FIG. 6 is top plan view thereof; and,
FIG. 7 is a bottom plan view thereof.

1 Claim, 2 Drawing Sheets



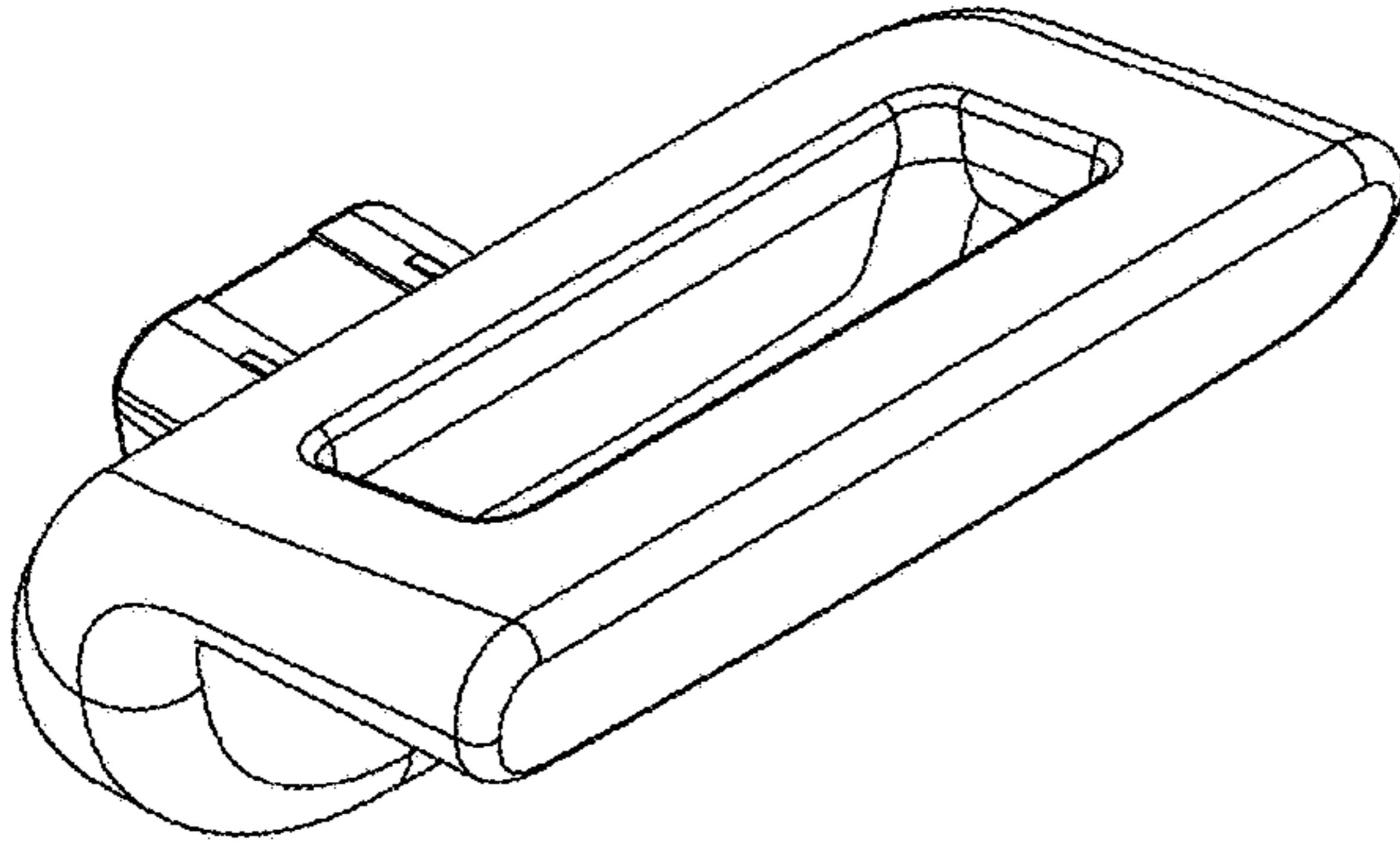


Fig. 1

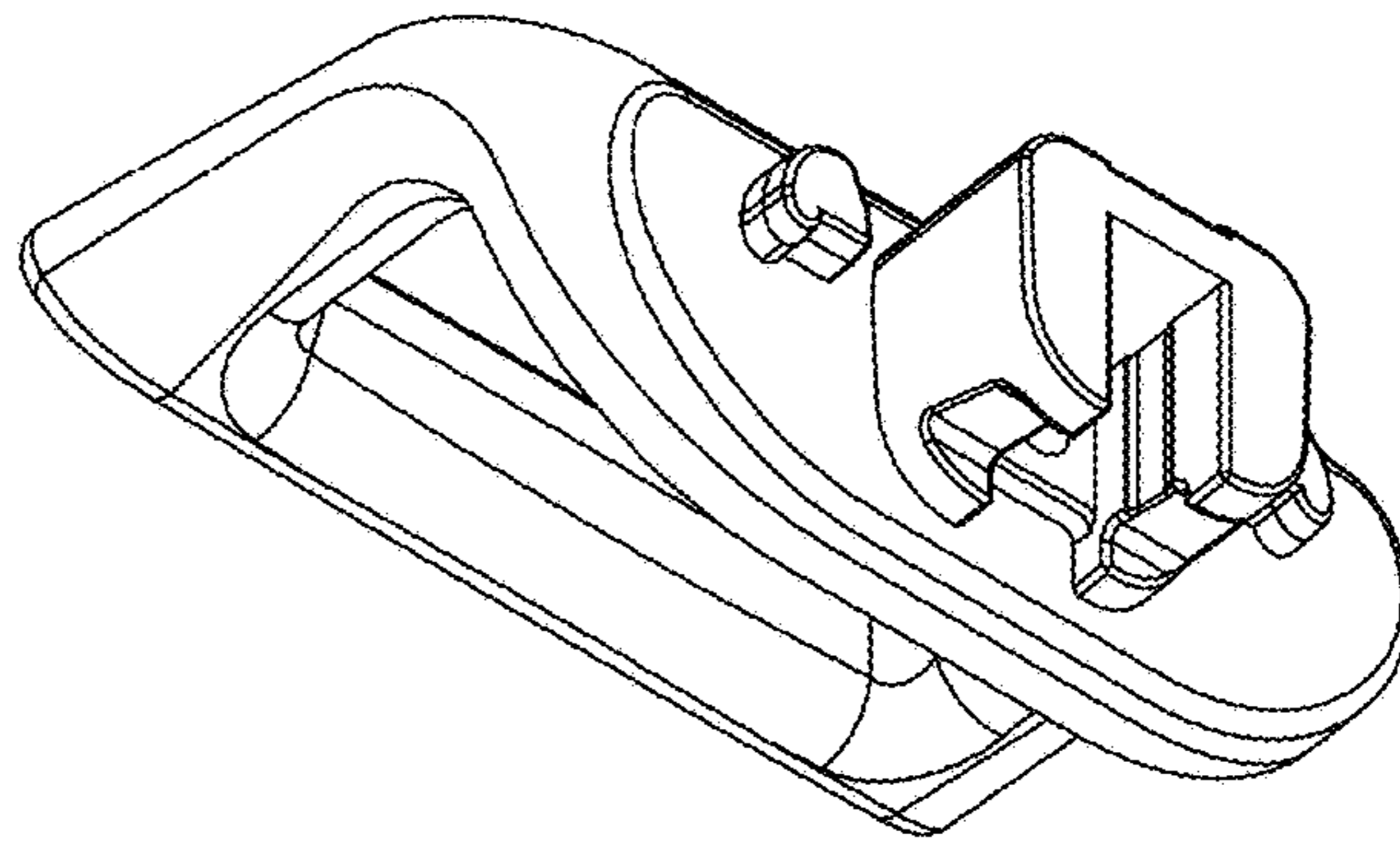


Fig. 2

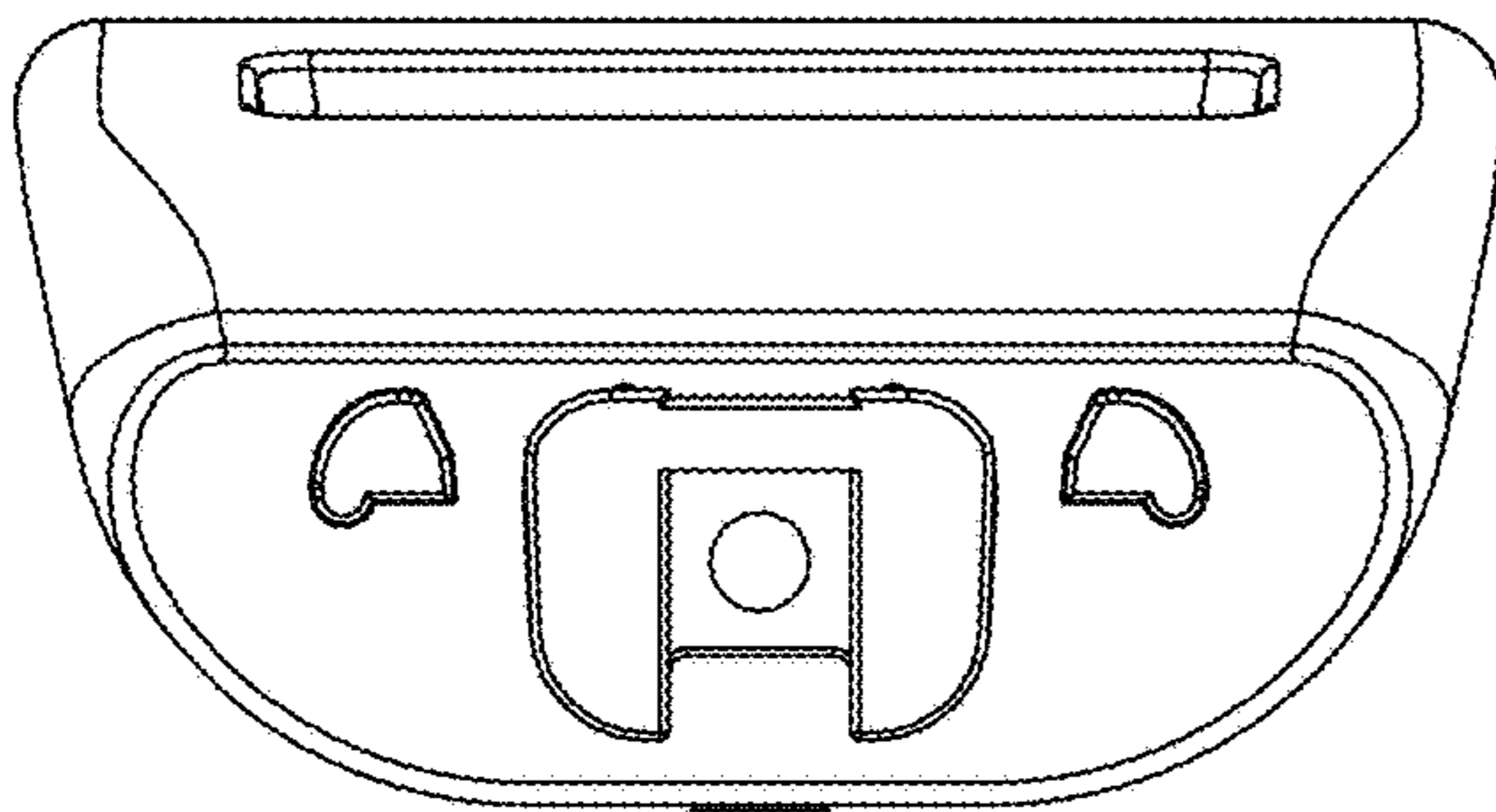


Fig. 3

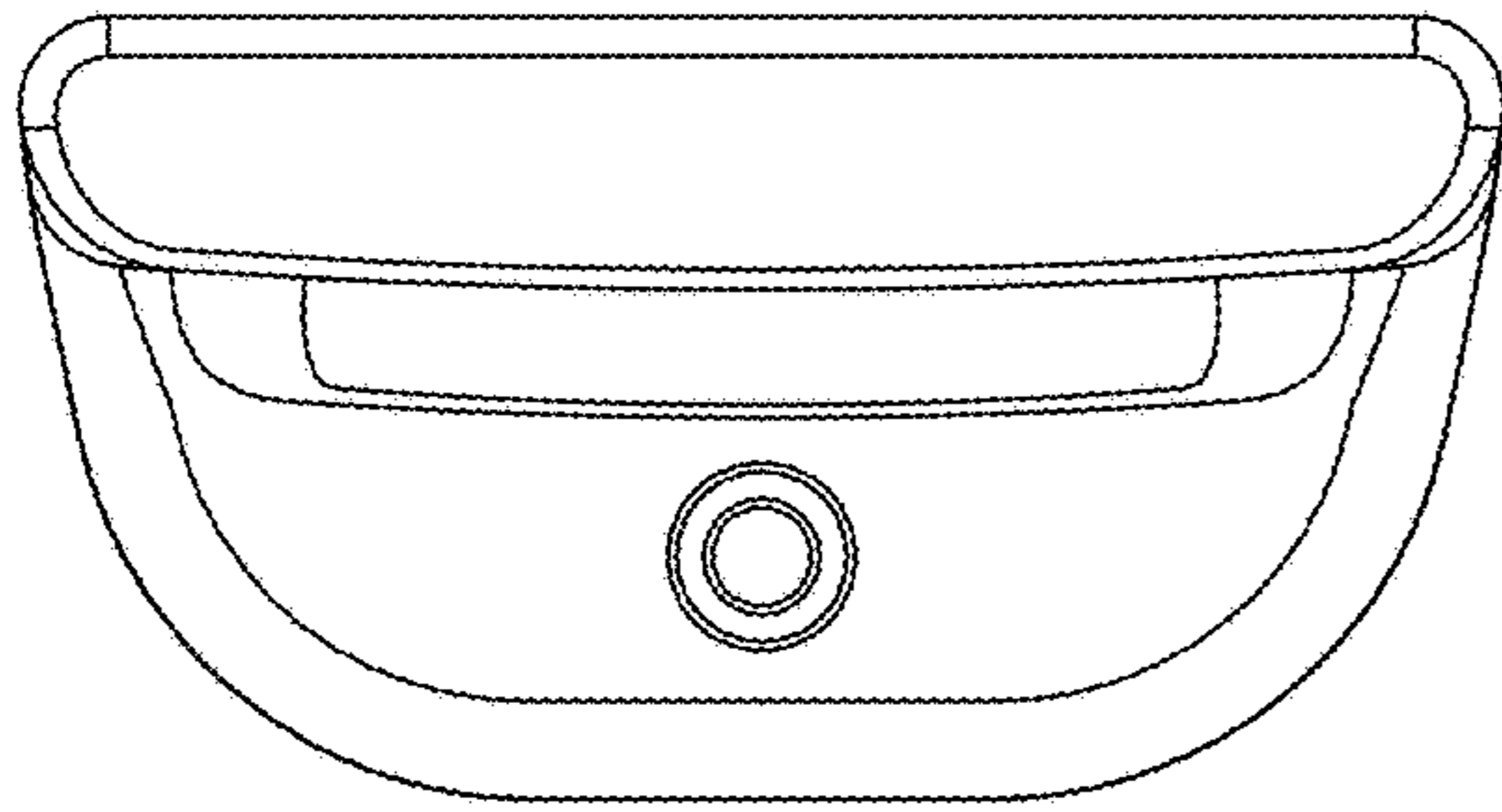


Fig. 4

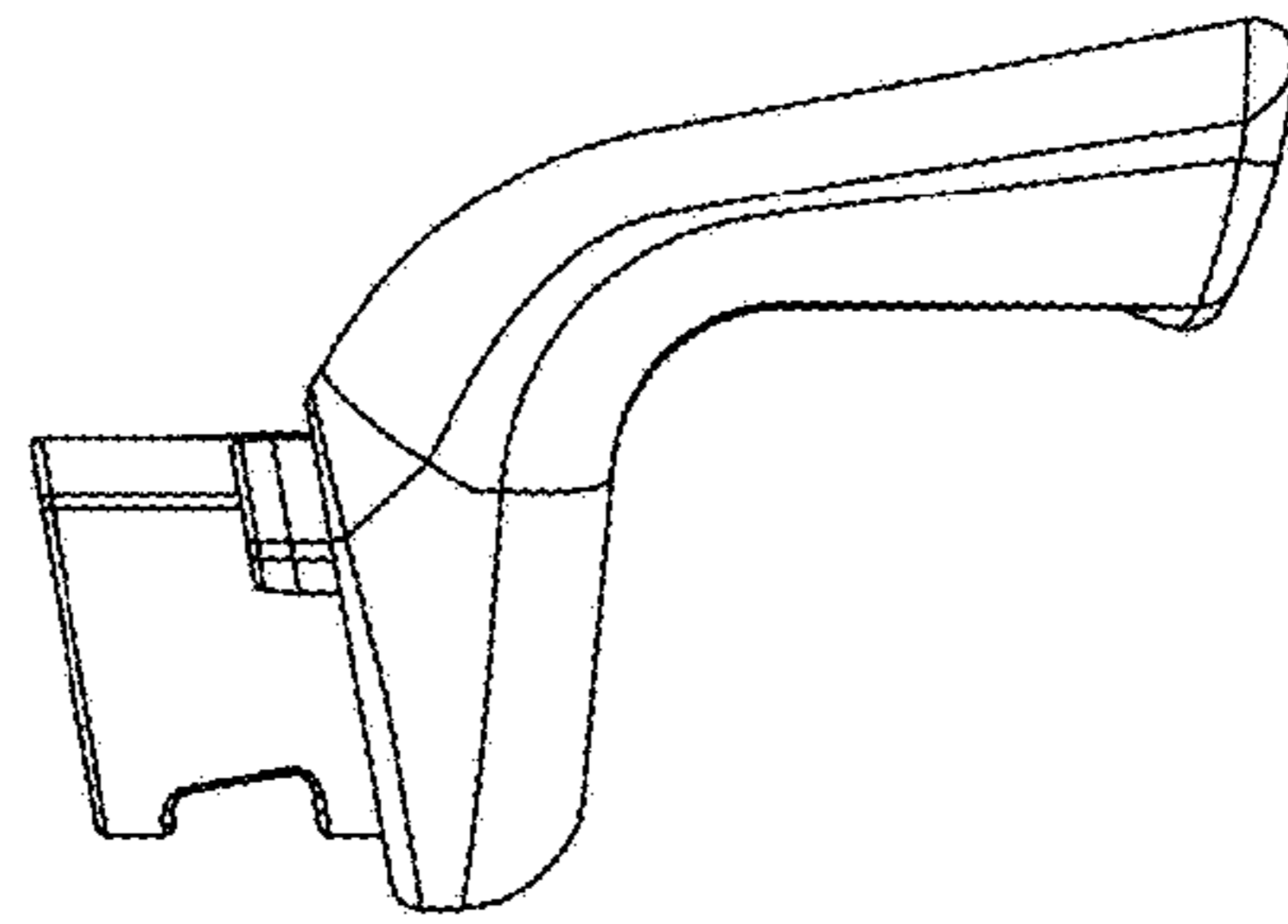


Fig. 5

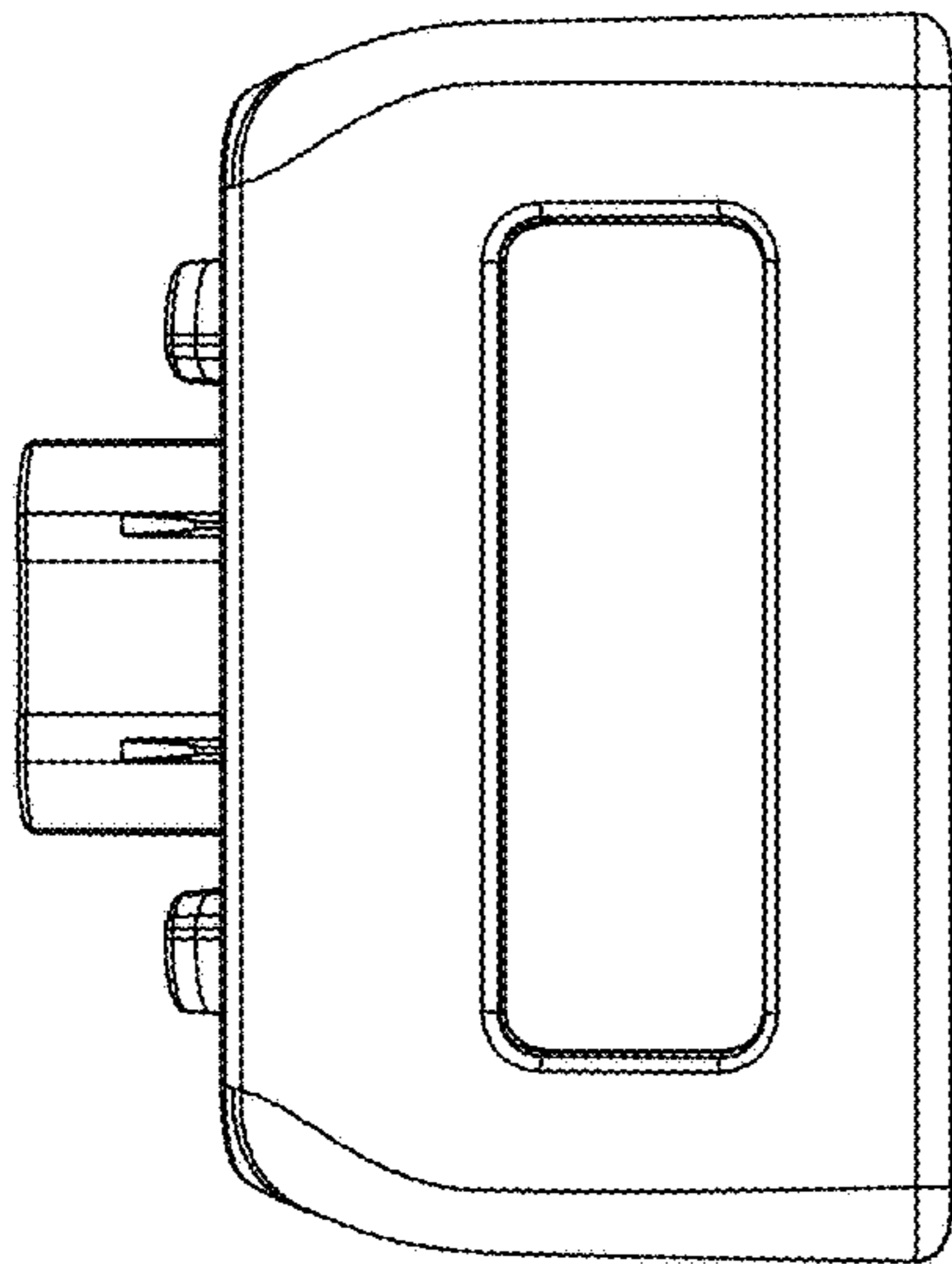


Fig. 6

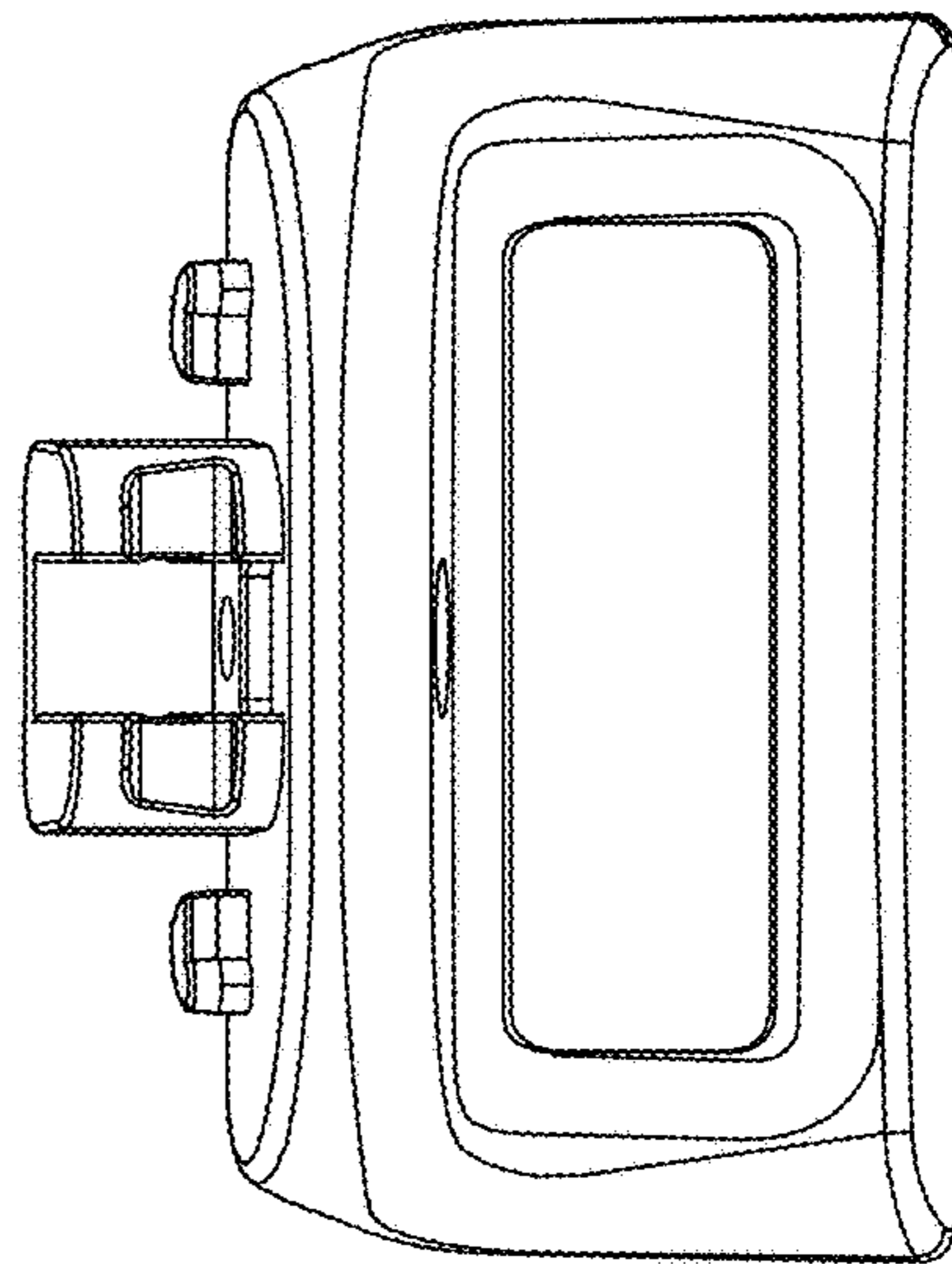


Fig. 7