



US00D776476S

(12) **United States Design Patent**
Euwer

(10) **Patent No.:** **US D776,476 S**

(45) **Date of Patent:** **** Jan. 17, 2017**

(54) **BARBECUE GRILL WITH A HAND WHEEL**

(71) Applicant: **Ferno Grills, LLC**, Santa Barbara, CA (US)

(72) Inventor: **Paul Euwer**, Santa Barbara, CA (US)

(73) Assignee: **Ferno Grills, LLC**, Santa Barbara, CA (US)

(**) Term: **14 Years**

(21) Appl. No.: **29/513,864**

(22) Filed: **Jan. 6, 2015**

(51) **LOC (10) Cl.** **07-02**

(52) **U.S. Cl.**
USPC **D7/334**

(58) **Field of Classification Search**
USPC D7/331-337, 402-409; 126/25 R, 38
CPC A47J 37/07-37/0713; A47J 37/06-37/0611
See application file for complete search history.

(56) **References Cited**

U.S. PATENT DOCUMENTS

D560,417 S *	1/2008	Ho	D7/334
7,328,696 B2 *	2/2008	Rodriguez	A47J 37/0704 126/30
7,339,137 B1 *	3/2008	Sorenson	A47J 37/0709 219/386
8,201,550 B2 *	6/2012	Malumyan	A47J 37/0704 108/109

D671,361 S *	11/2012	Witzel	D7/402
D748,423 S *	2/2016	Chiang	D7/334
2015/0013662 A1 *	1/2015	Norris	A47J 37/0713 126/25 R
2016/0037969 A1 *	2/2016	Renner	A47J 37/07 99/445

* cited by examiner

Primary Examiner — Susan Bennett Hattan

Assistant Examiner — Brett Miller

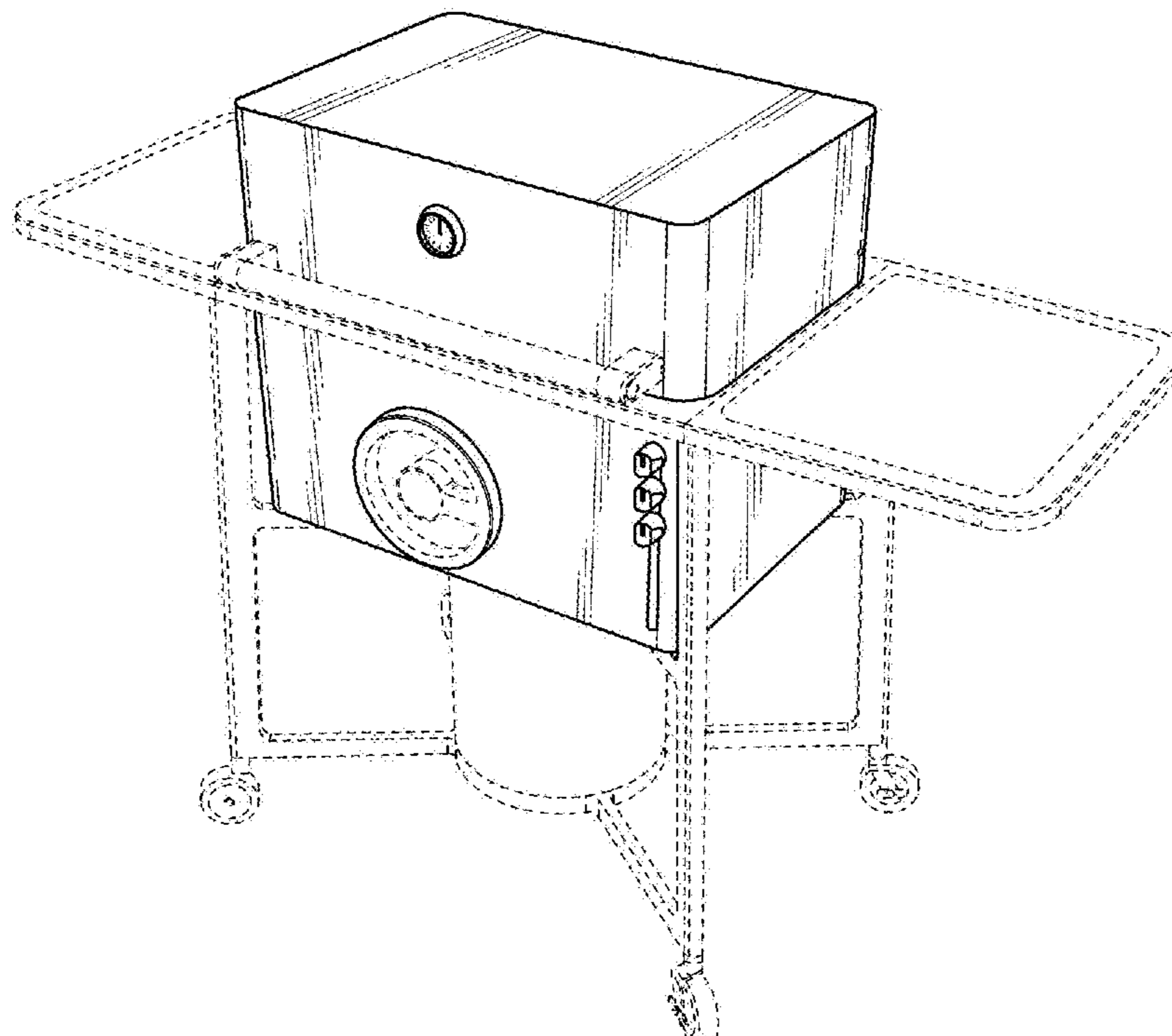
(57) **CLAIM**

The ornamental design for a barbecue grill with a hand wheel, as shown and described.

DESCRIPTION

FIG. 1 is a perspective view of a barbecue grill with a hand wheel, according to an embodiment;
 FIG. 2 is a front view of the embodiment of FIG. 1;
 The rear of the embodiment of FIG. 1 is unornamented;
 FIG. 3 is a left-side view of the embodiment of FIG. 1;
 FIG. 4 is a right-side view of the embodiment of FIG. 1;
 FIG. 5 is a top view of the embodiment of FIG. 1;
 FIG. 6 is a bottom view of the embodiment of FIG. 1;
 FIG. 7 is a perspective view of a barbecue grill with a hand wheel, according to an embodiment;
 FIG. 8 is a front view of the embodiment of FIG. 7;
 The rear of the embodiment of FIG. 7 is unornamented;
 FIG. 9 is a left-side view of the embodiment of FIG. 7;
 FIG. 10 is a right-side view of the embodiment of FIG. 7;
 FIG. 11 is a top view of the embodiment of FIG. 7; and
 FIG. 12 is a bottom view of the embodiment of FIG. 7.
 The broken line portions of the drawings are for illustrative purposes only and form no part of the claimed design.

1 Claim, 6 Drawing Sheets



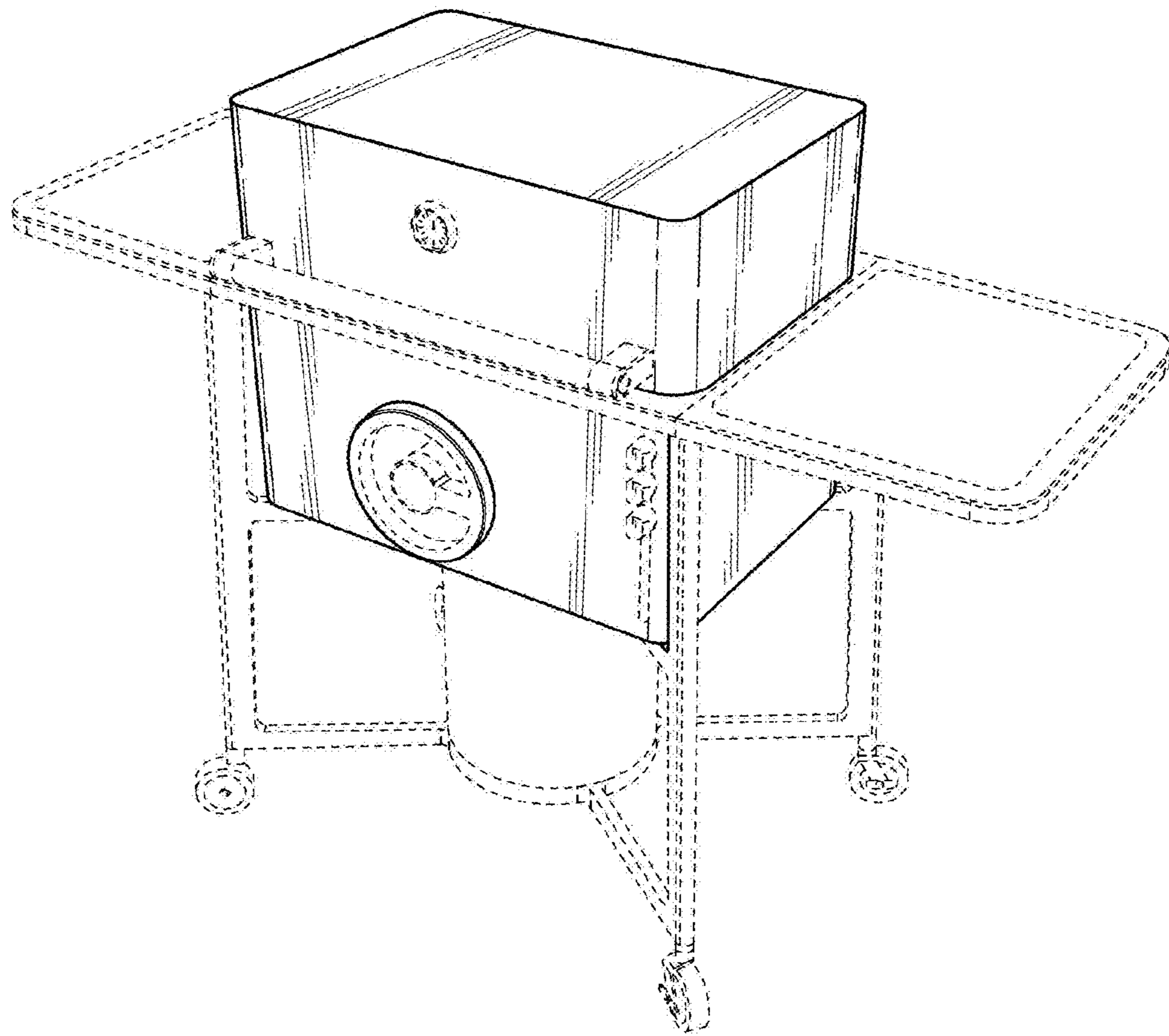


FIG. 1

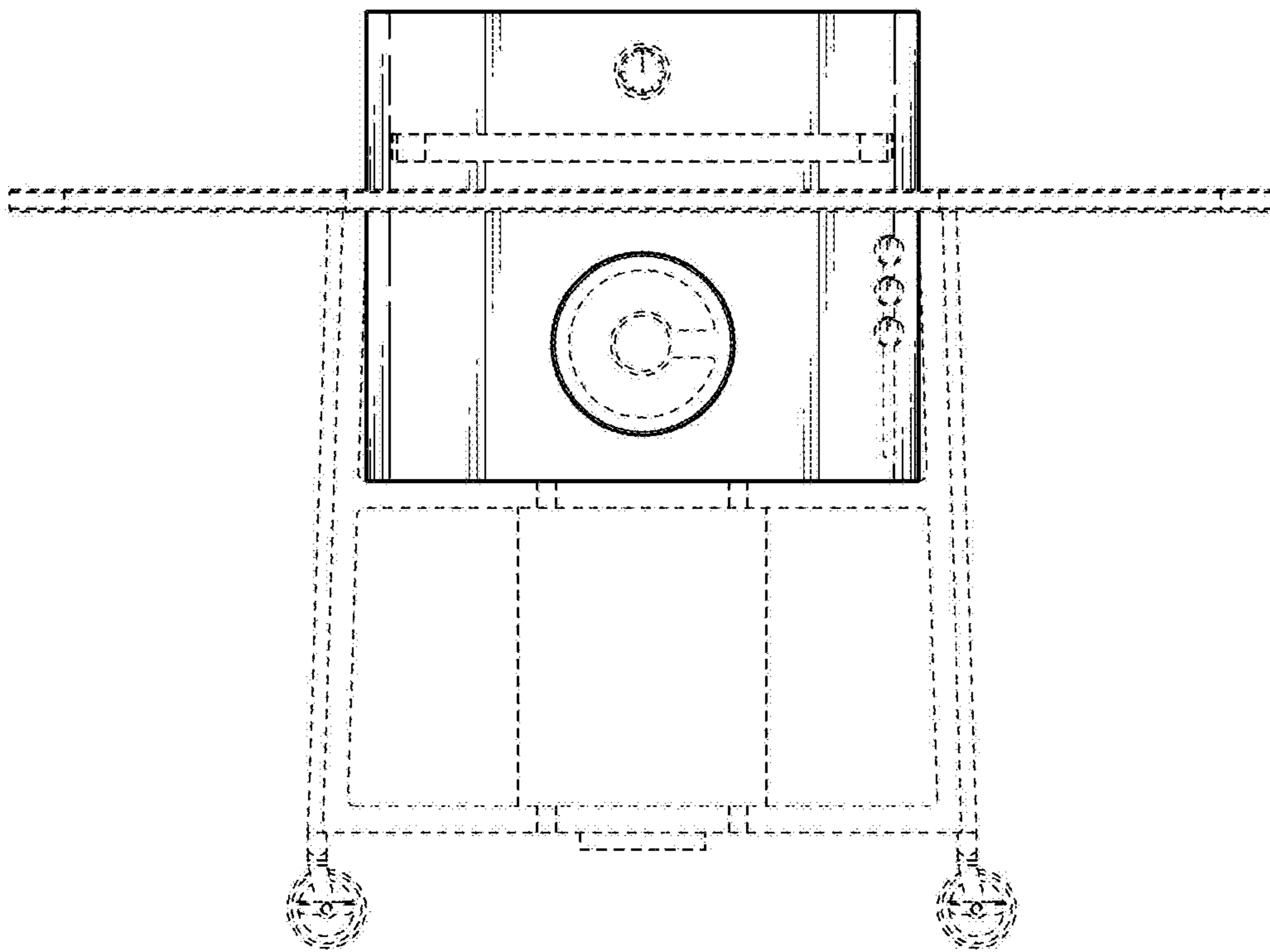


FIG. 2

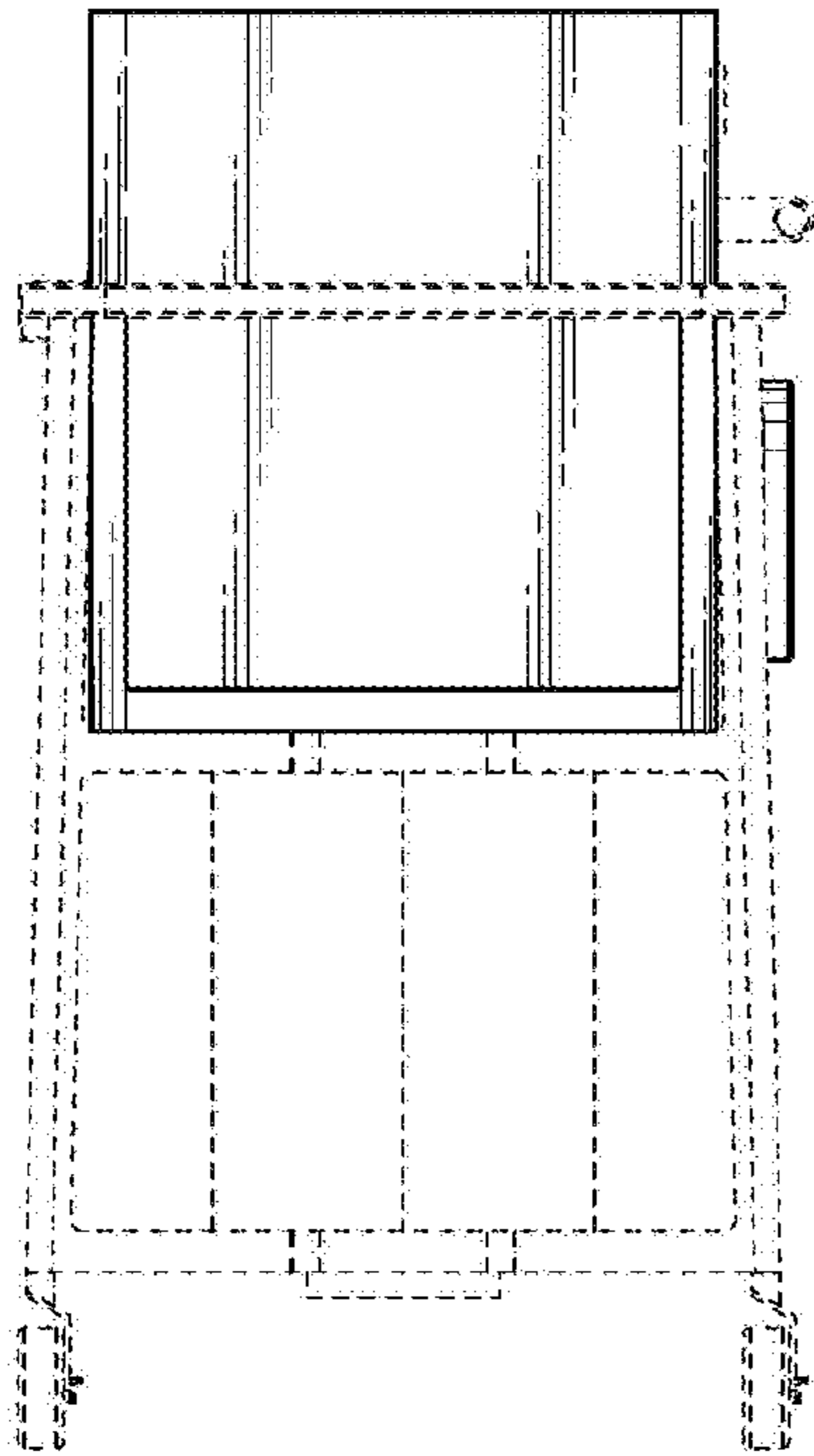


FIG. 3

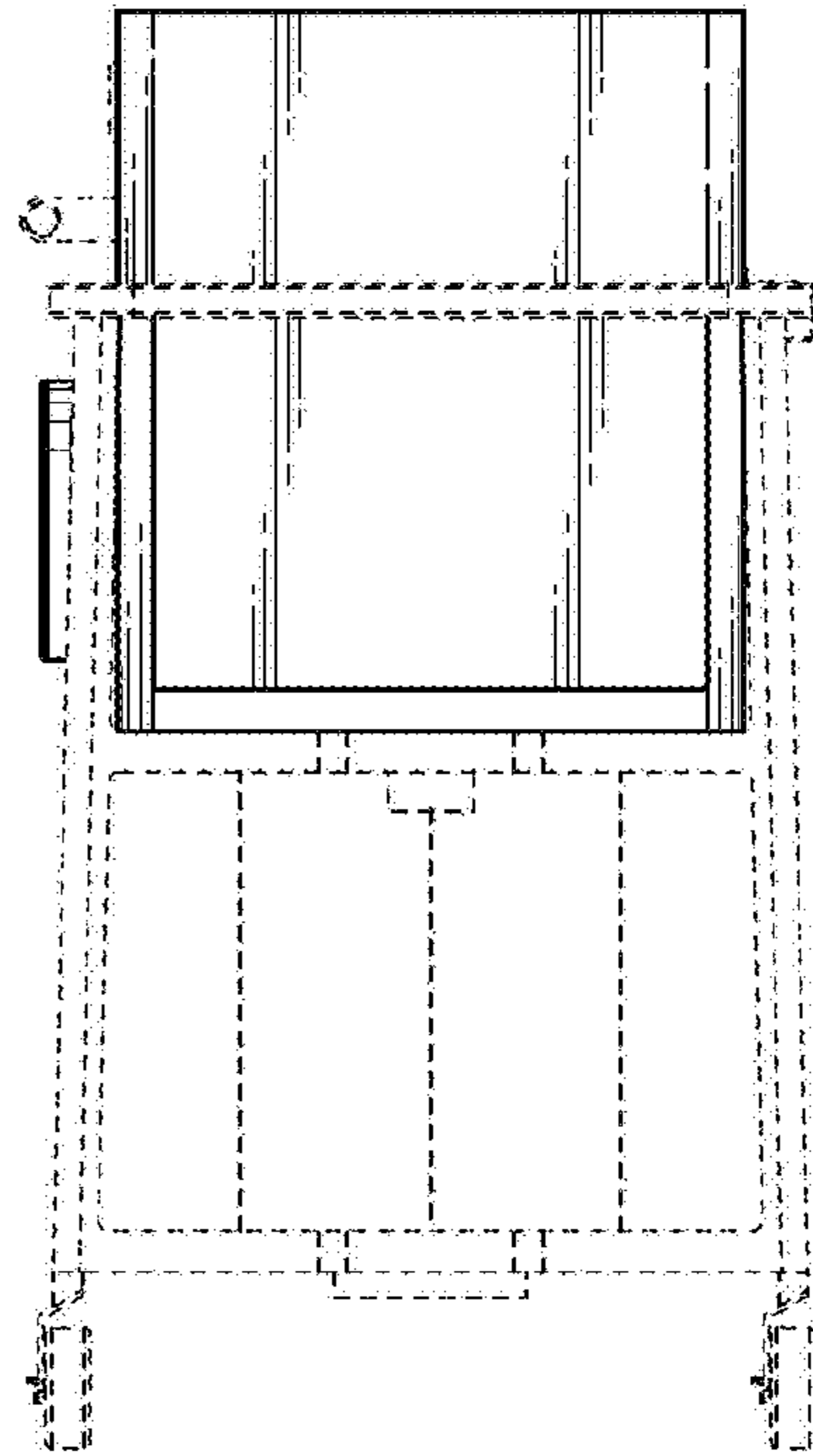


FIG. 4

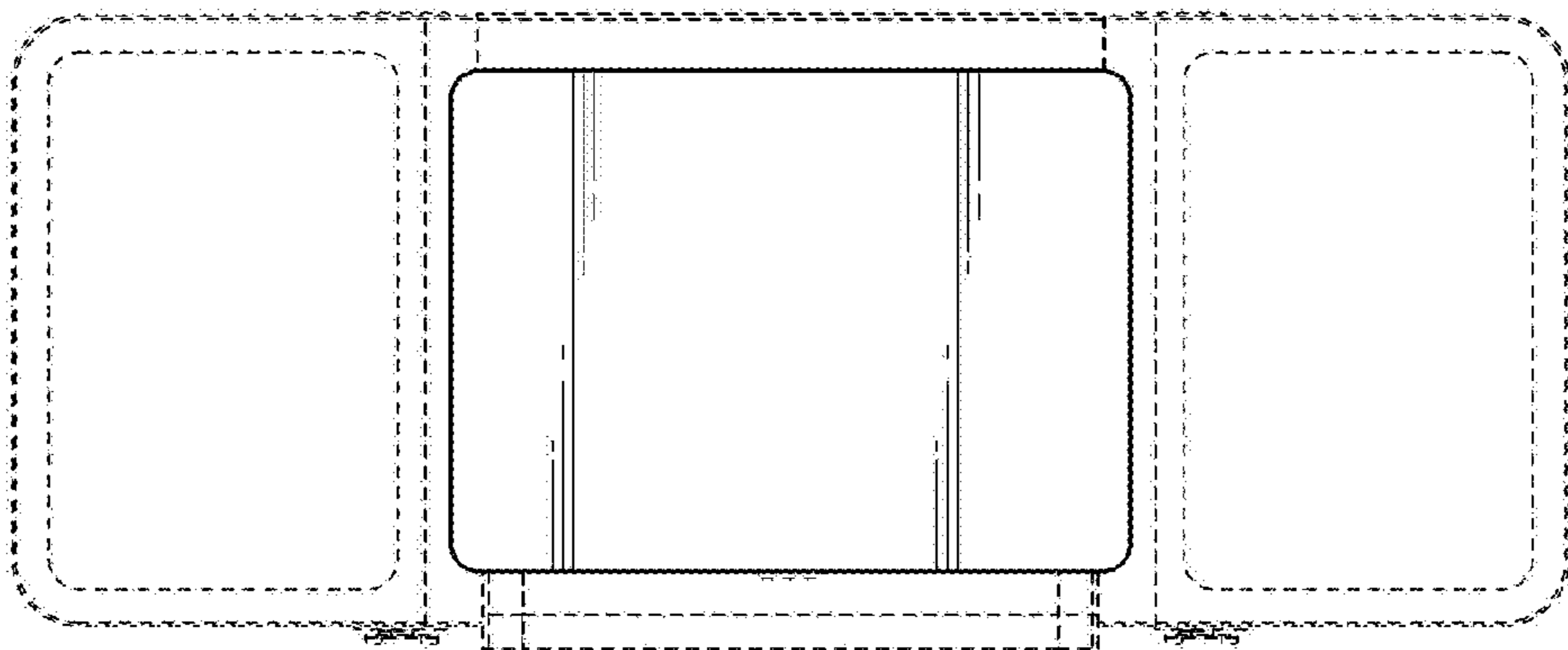


FIG. 5

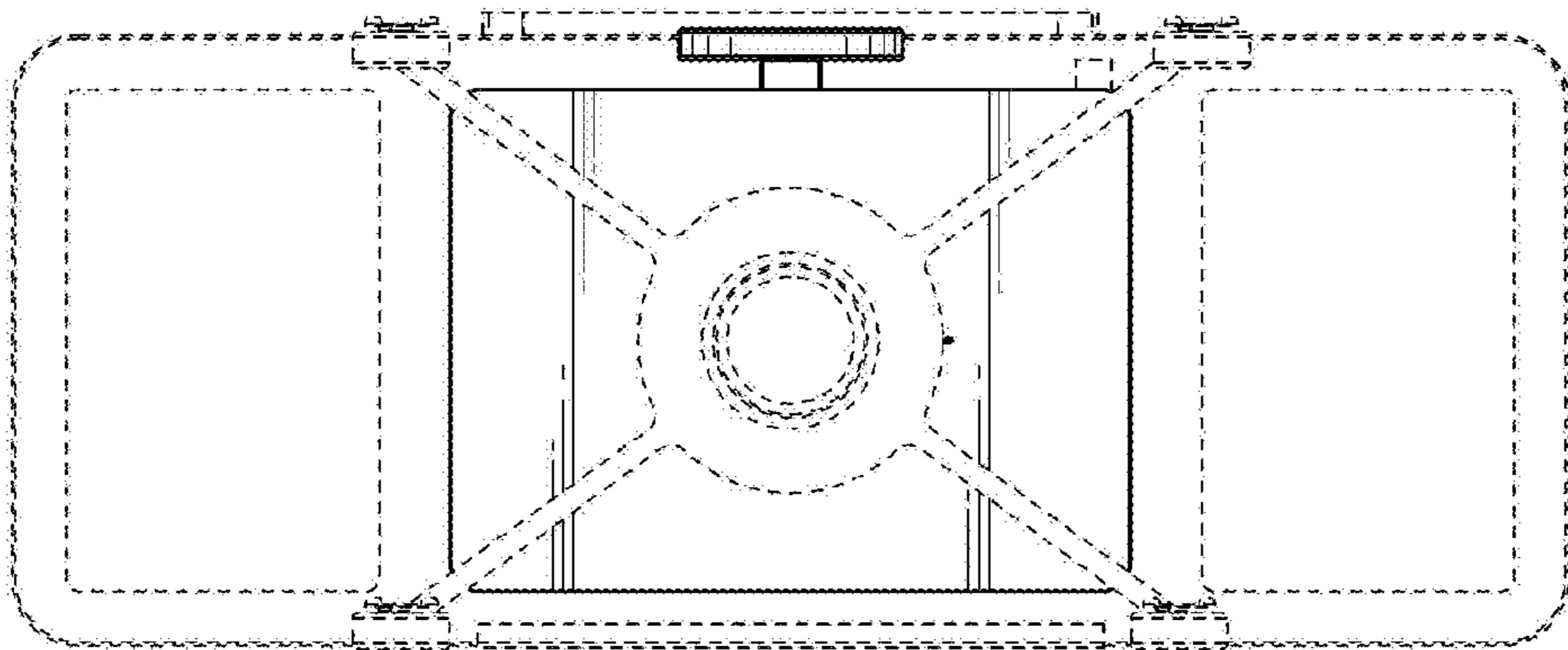


FIG. 6

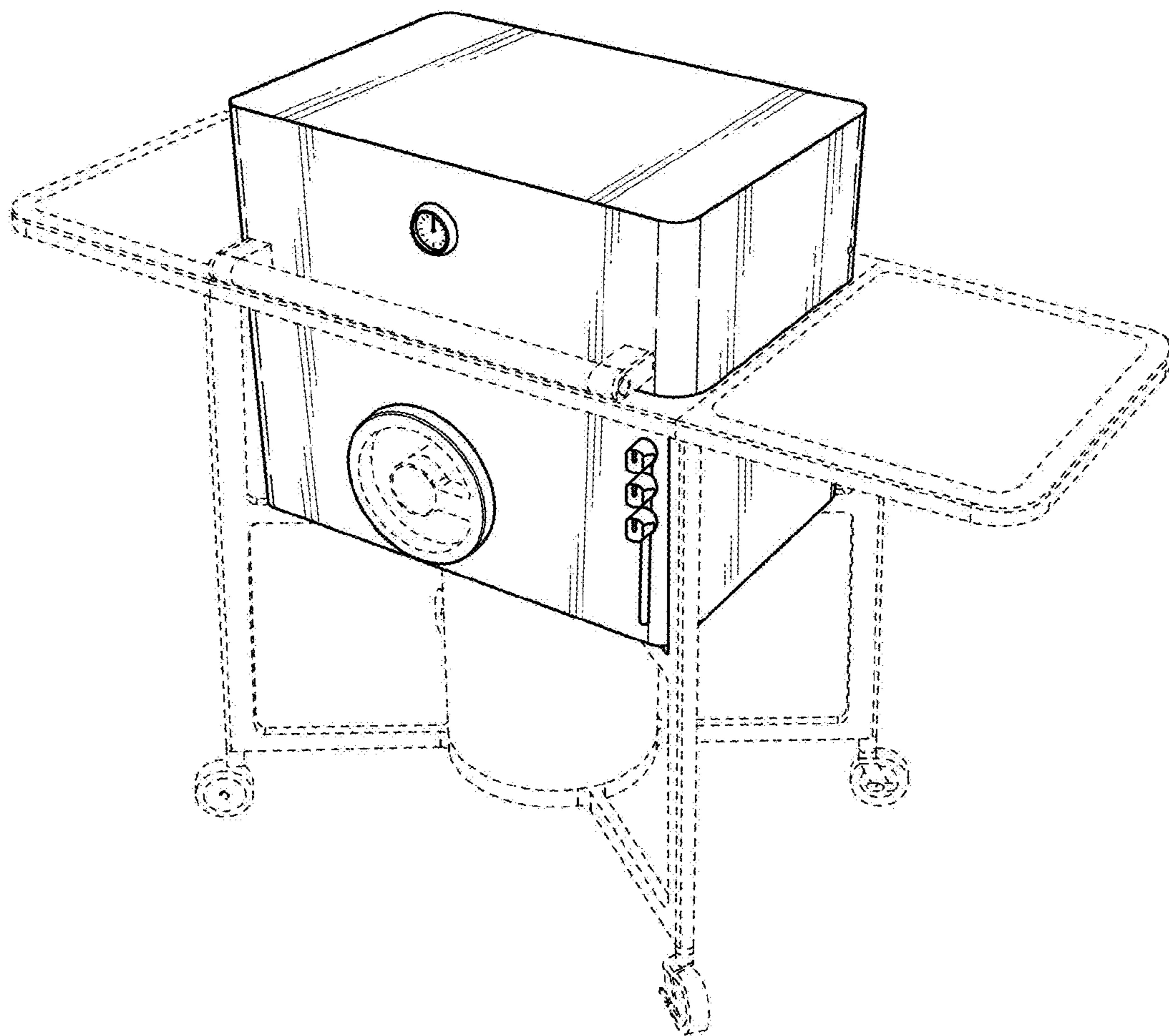


FIG. 7

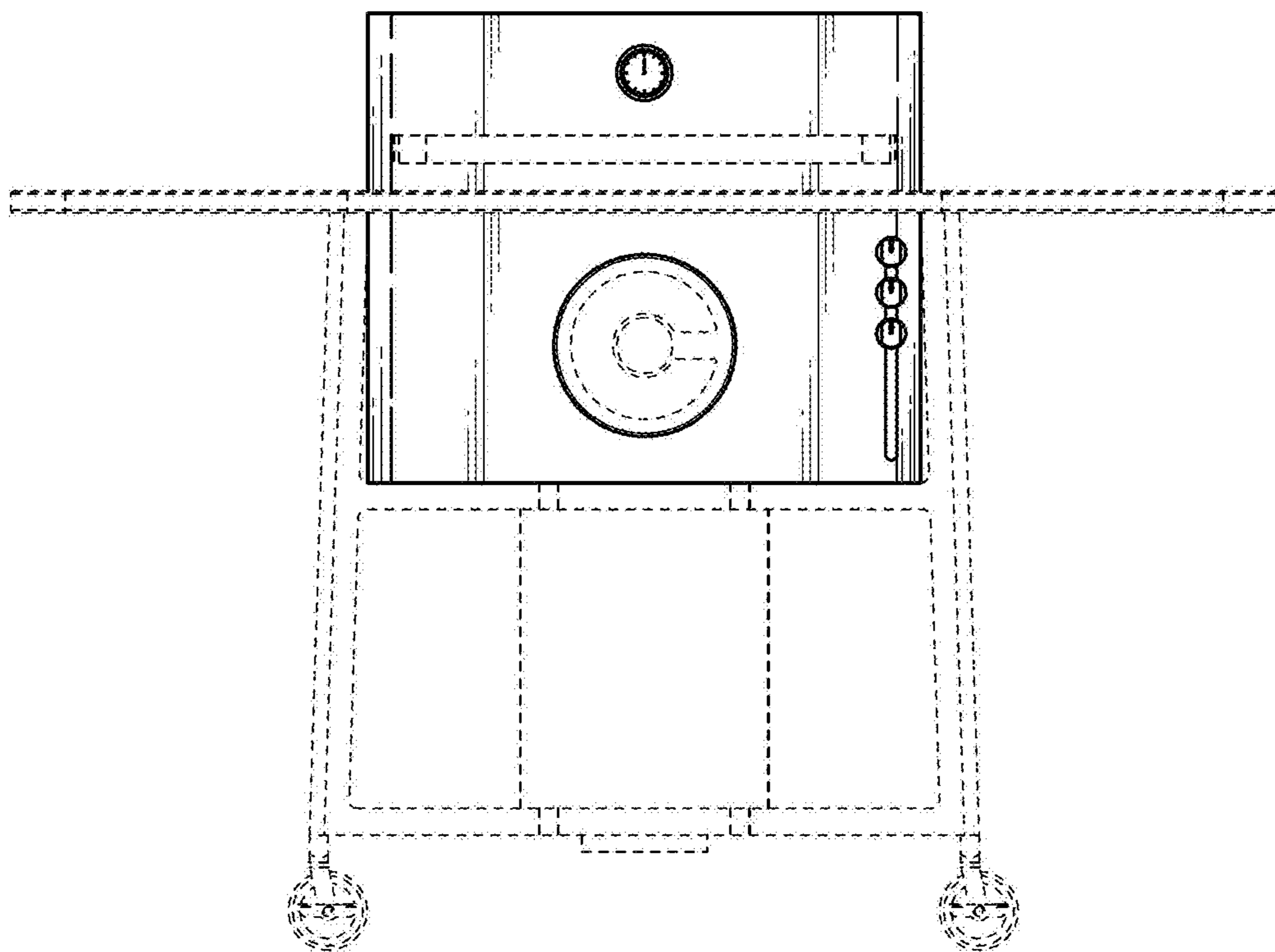


FIG. 8

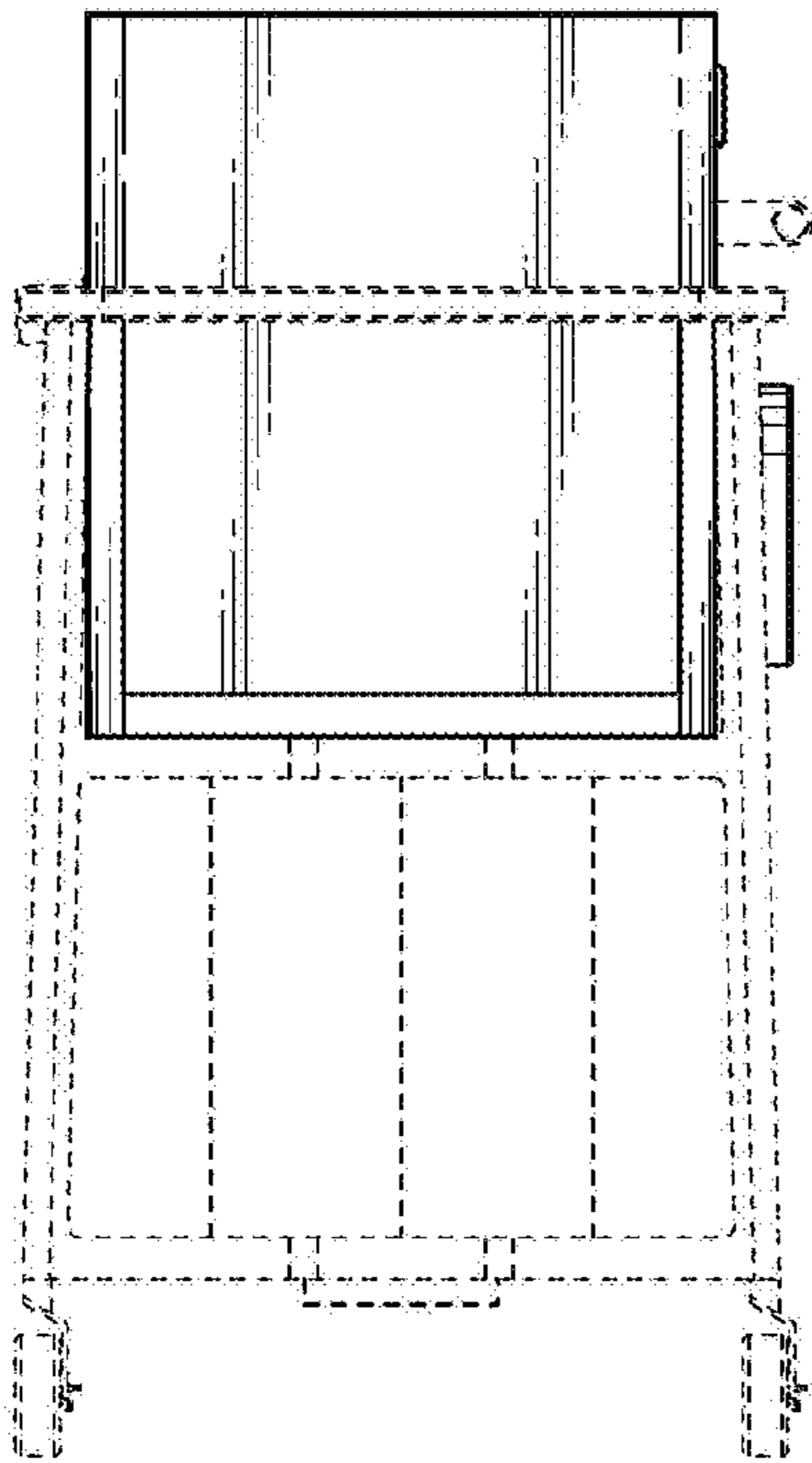


FIG. 9

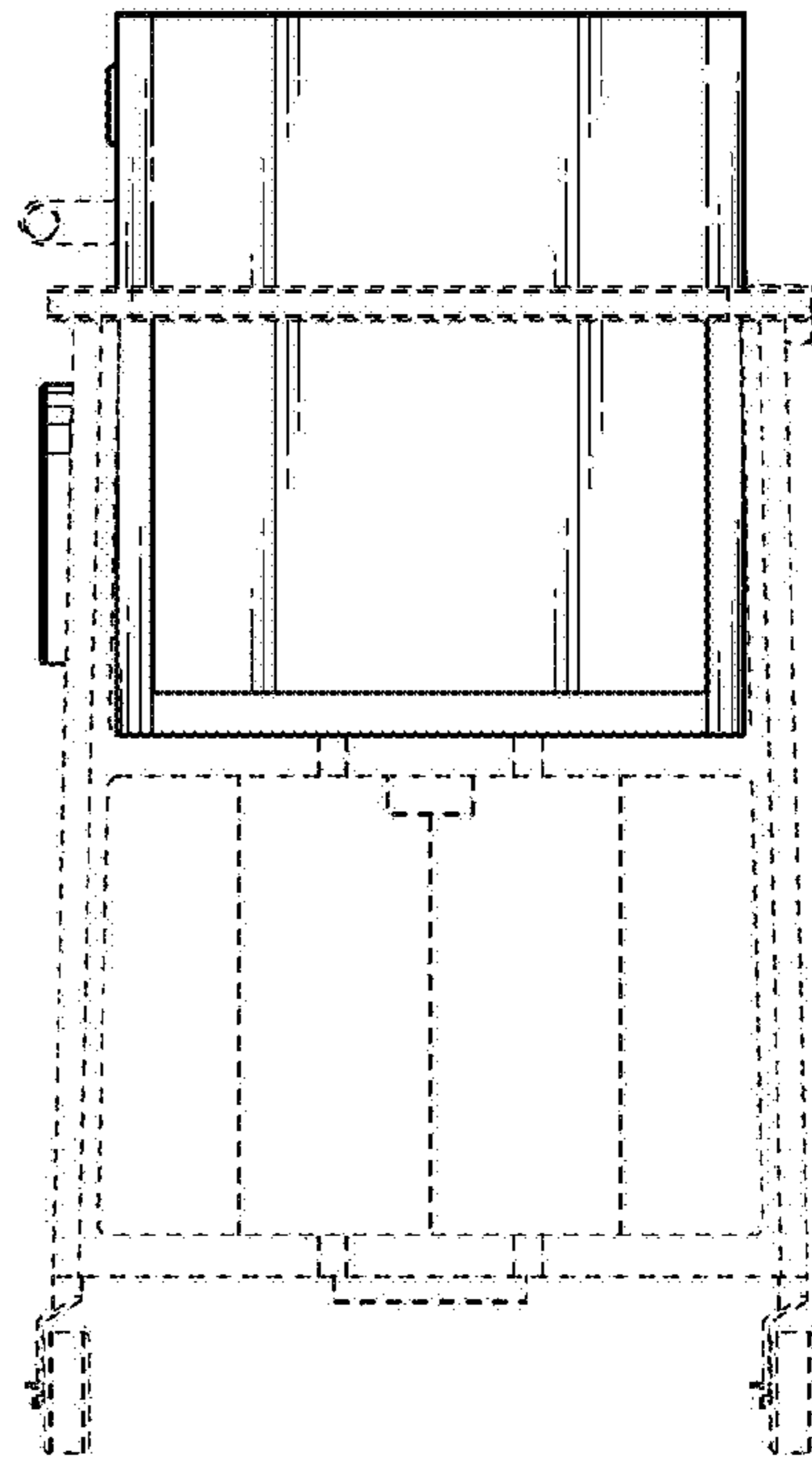


FIG. 10

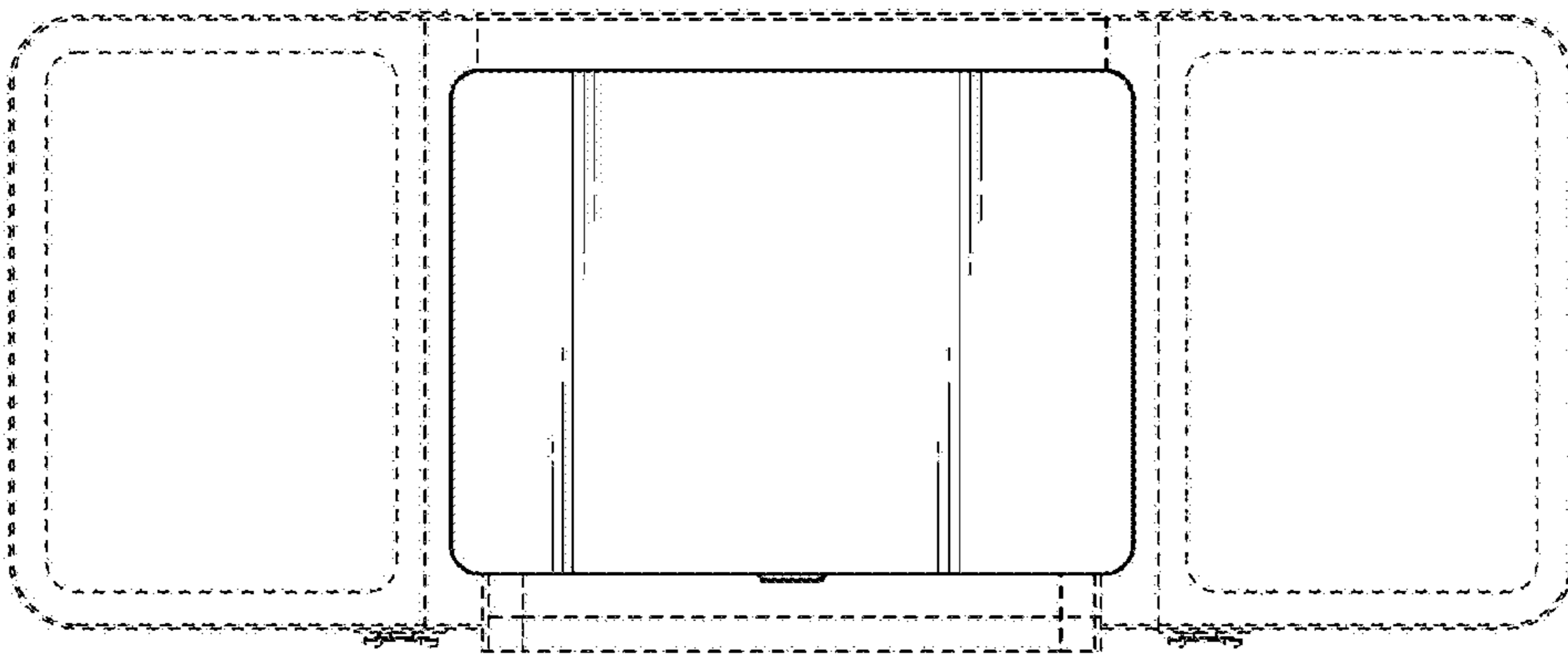


FIG. 11

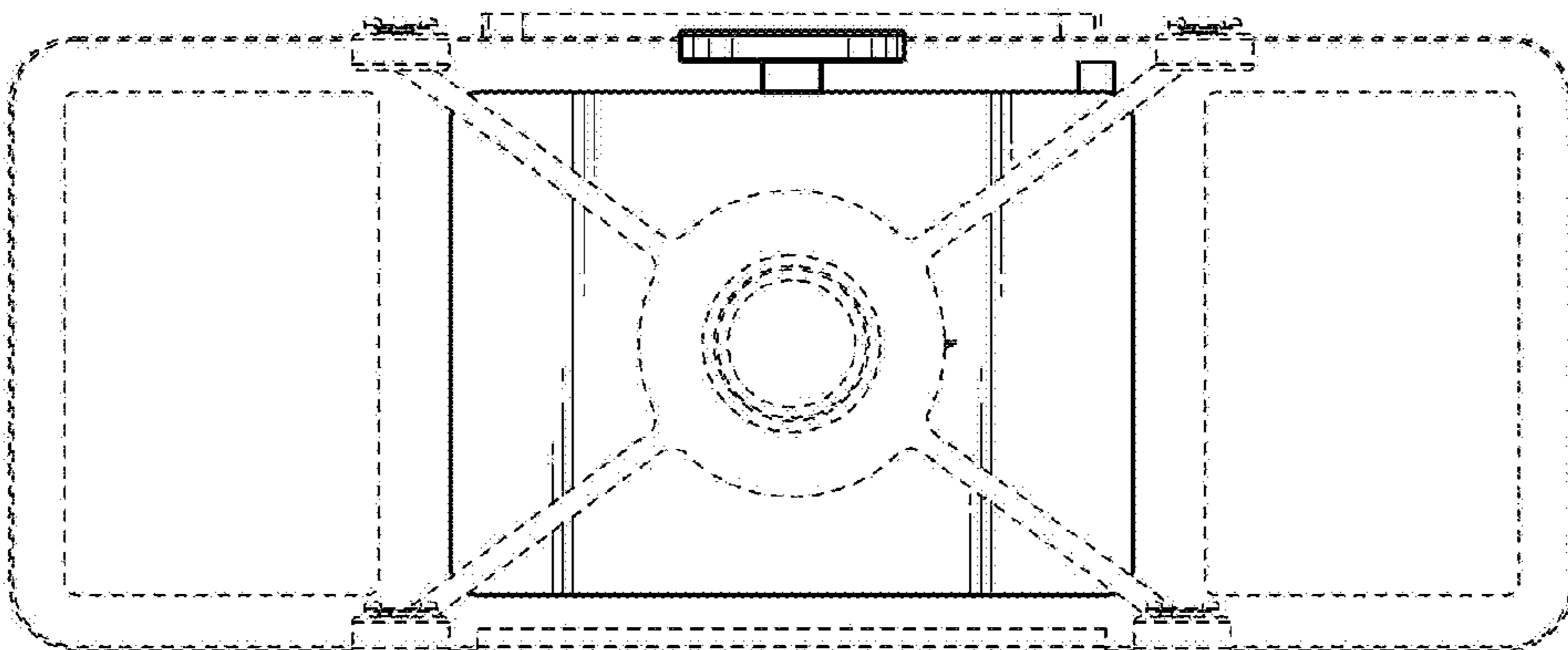


FIG. 12