



US00D776474S

(12) **United States Design Patent** (10) **Patent No.:** **US D776,474 S**
Powell et al. (45) **Date of Patent:** **** Jan. 17, 2017**

(54) **TABLE BASE**
(71) Applicant: **Assa Group, Inc.**, Lowell, MI (US)
(72) Inventors: **David J Powell**, Lowell, MI (US);
Ryan D. Sullivan, Grand Rapids, MI (US)
(73) Assignee: **Assa Group, Inc.**, Lowell, MI (US)
(**) Term: **15 Years**
(21) Appl. No.: **29/566,493**
(22) Filed: **May 31, 2016**
(51) **LOC (10) Cl.** **06-06**
(52) **U.S. Cl.**
USPC **D6/708**
(58) **Field of Classification Search**
USPC D6/641, 647, 656, 656.16, 656.17,
D6/691.5, 685.3, 696.2, 702, 708, 708.16,
708.17,D6/708.21, 709; D21/784
CPC A47B 7/00; A47B 13/00; A47B 13/02;
A47B 13/0023; A47B 13/04; A47B 13/06;
A47B 13/12; A47B 2013/024; A47B
2200/0011; A47B 2200/0013; A47B
2200/0016
See application file for complete search history.

4,650,143 A 3/1987 Kurrasch
D332,648 S * 1/1993 Mitchell, Jr. D21/784
5,634,411 A 6/1997 Chasan
D515,650 S * 2/2006 Hobbs D21/784
7,028,957 B1 4/2006 Larson
D526,821 S 8/2006 Muller
D559,019 S * 1/2008 Roberts D6/708.21
(Continued)

Primary Examiner — Mary Ann Calabrese
(74) *Attorney, Agent, or Firm* — Oppenhuizen Law PLC;
David L. Oppenhuizen

(57) **CLAIM**

The ornamental design for a table base, as shown and described.

DESCRIPTION

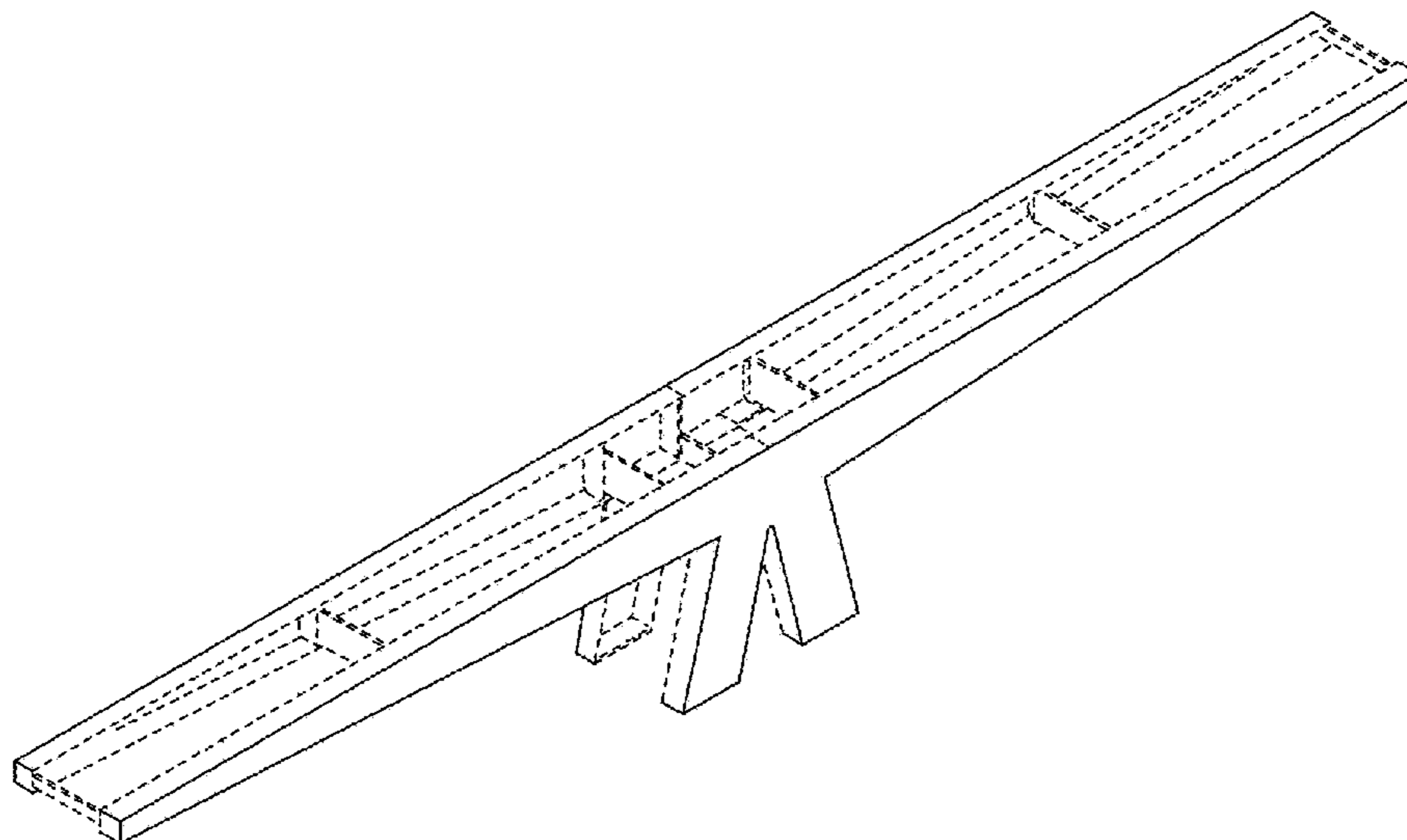
FIG. 1 is a perspective view of a table base showing the new design;
FIG. 2 is a front view, the back view being a mirror image thereof;
FIG. 3 is a left view, the right view being a mirror image thereof;
FIG. 4 is a top view;
FIG. 5 is a bottom view;
FIG. 6 is a perspective view of a second embodiment of the table base;
FIG. 7 is a front view of the second embodiment of the table base, the back view being a mirror image thereof;
FIG. 8 is a left view of the second embodiment of the table base, the right view being a mirror image thereof;
FIG. 9 is a top view of the second embodiment of the table base; and,
FIG. 10 is a bottom view of the second embodiment of the table base.
The broken lines are included for the purpose of illustrating portions of the table base that form no part of the claimed design.

(56) **References Cited**

U.S. PATENT DOCUMENTS

957,089 A 5/1910 Pfrenzinger
1,545,894 A 7/1925 Hall
1,604,254 A * 10/1926 Bate A47B 3/12
182/153
2,504,531 A * 4/1950 Johnson A47B 3/12
108/159
2,576,287 A 11/1951 English
2,619,396 A 11/1952 Fires
3,139,256 A 6/1964 Dodds
4,372,224 A * 2/1983 Ehrlich A47B 3/06
108/150

1 Claim, 6 Drawing Sheets



(56)

References Cited

U.S. PATENT DOCUMENTS

D573,376	S	7/2008	Muller	
D573,377	S *	7/2008	Muller D6/708
D574,640	S	8/2008	Muller	
7,886,674	B2	2/2011	Behnke	
D665,602	S *	8/2012	Muller D6/708
8,322,802	B2 *	12/2012	Boxenbaum A47B 51/00 312/194
2005/0263042	A1	12/2005	Martin et al.	
2005/0284341	A1 *	12/2005	Klassy A47B 21/00 108/50.02
2009/0038517	A1	2/2009	Ahmadinia	
2012/0193503	A1	8/2012	Pike	
2014/0060395	A1	3/2014	Ruiter et al.	

* cited by examiner

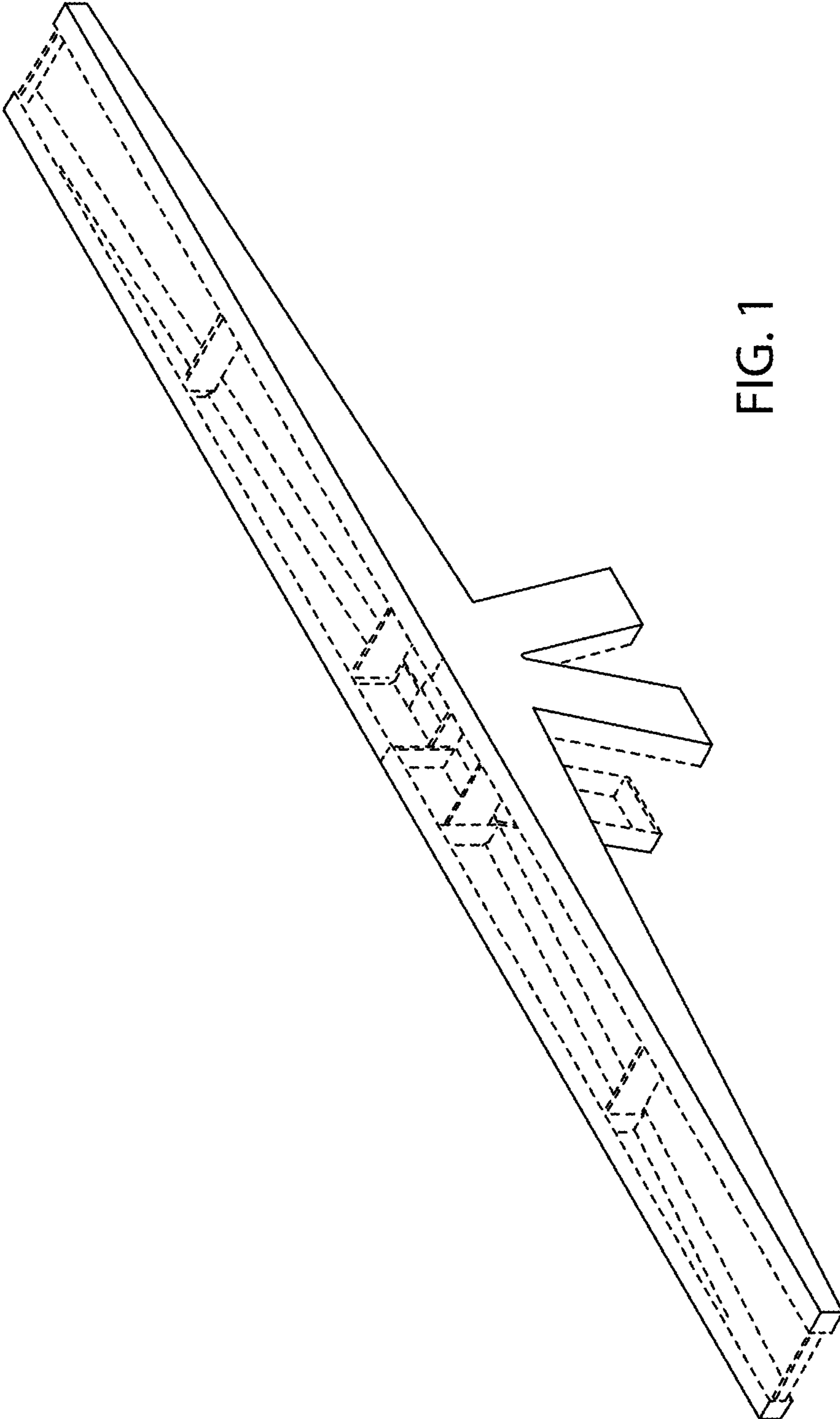


FIG. 1

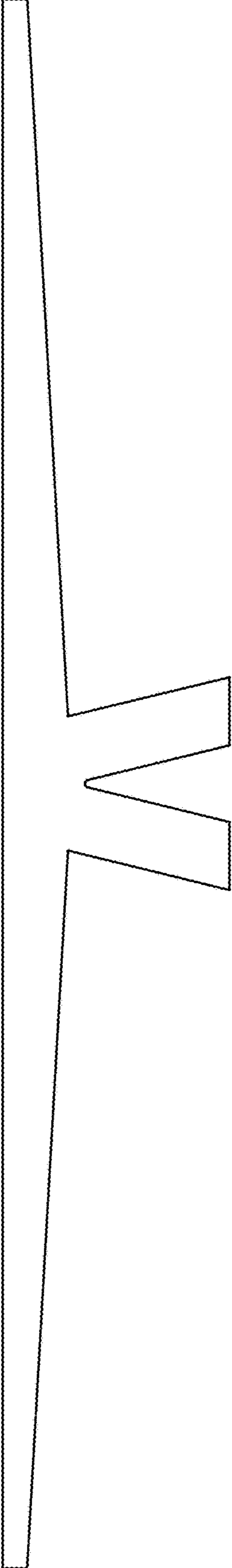


FIG. 2

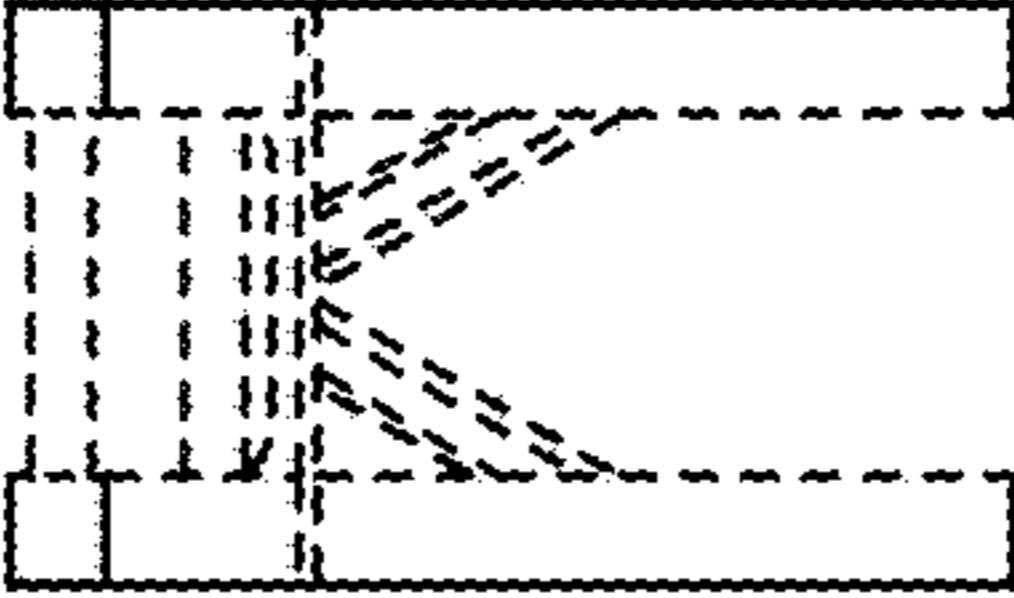


FIG. 3

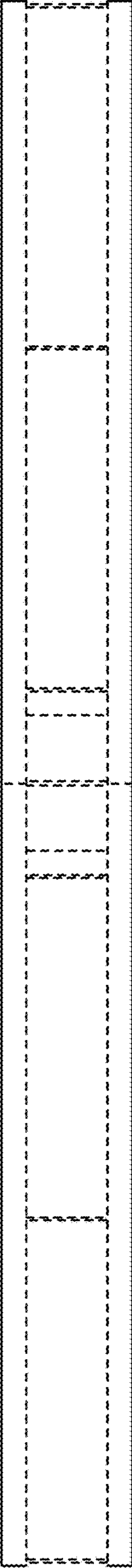


FIG. 4

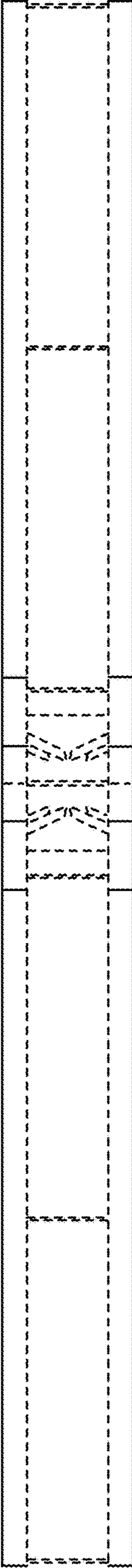


FIG. 5

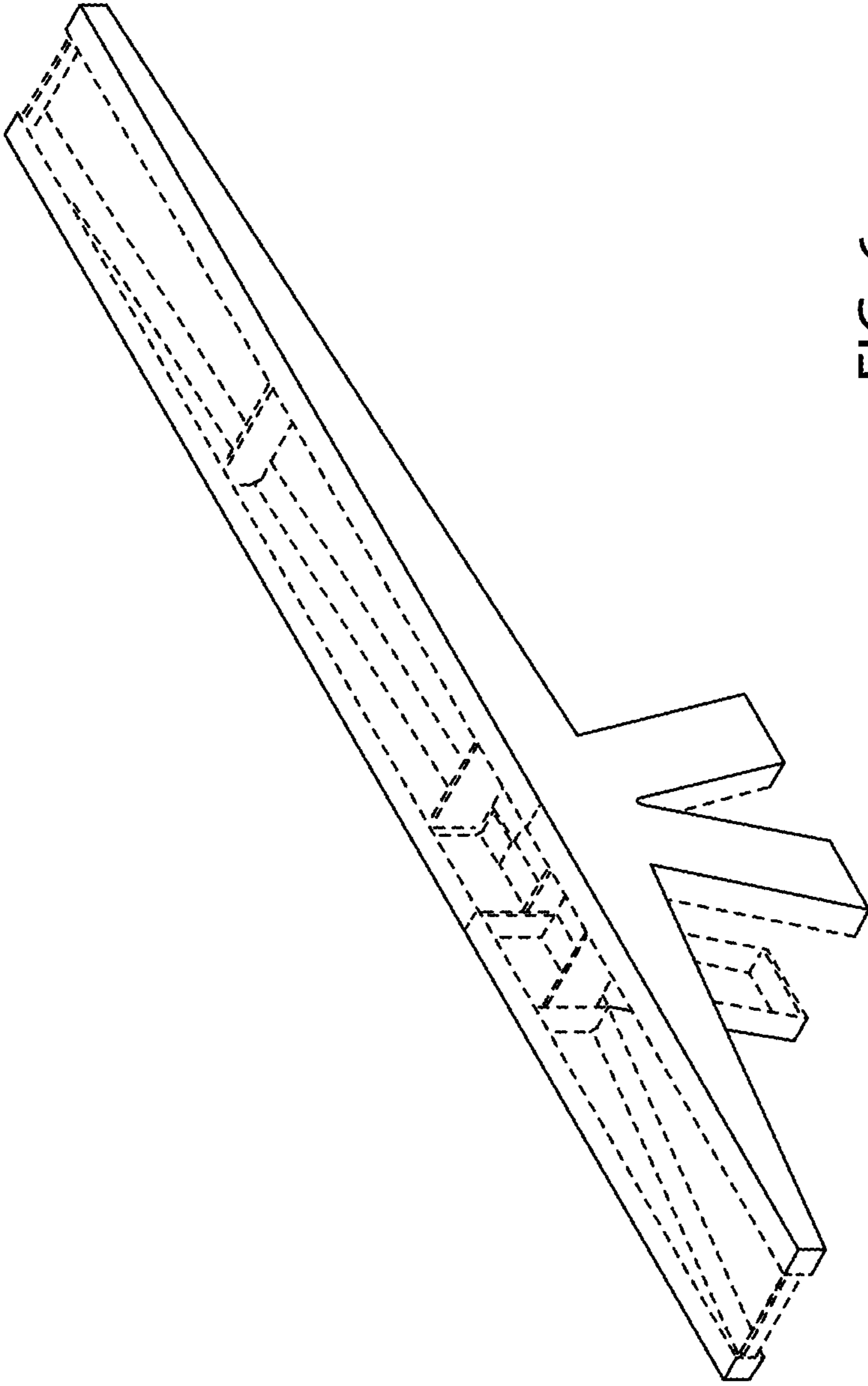


FIG. 6

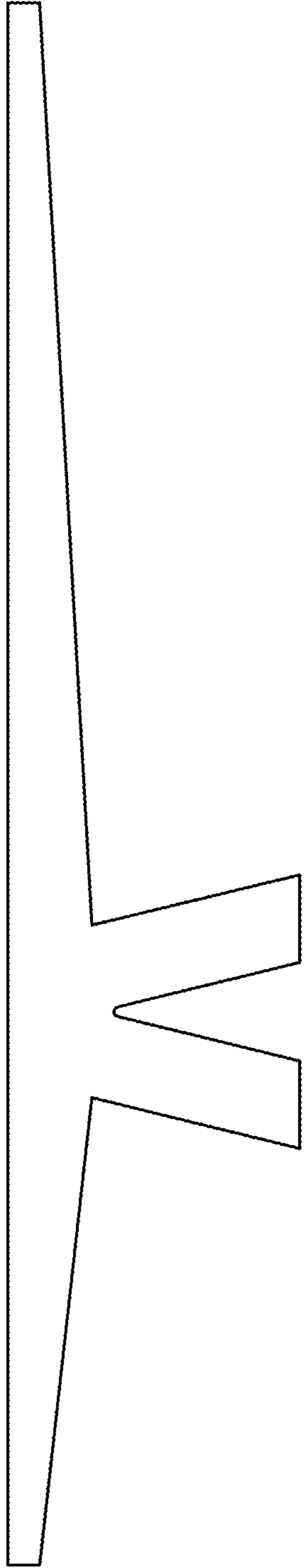


FIG. 7

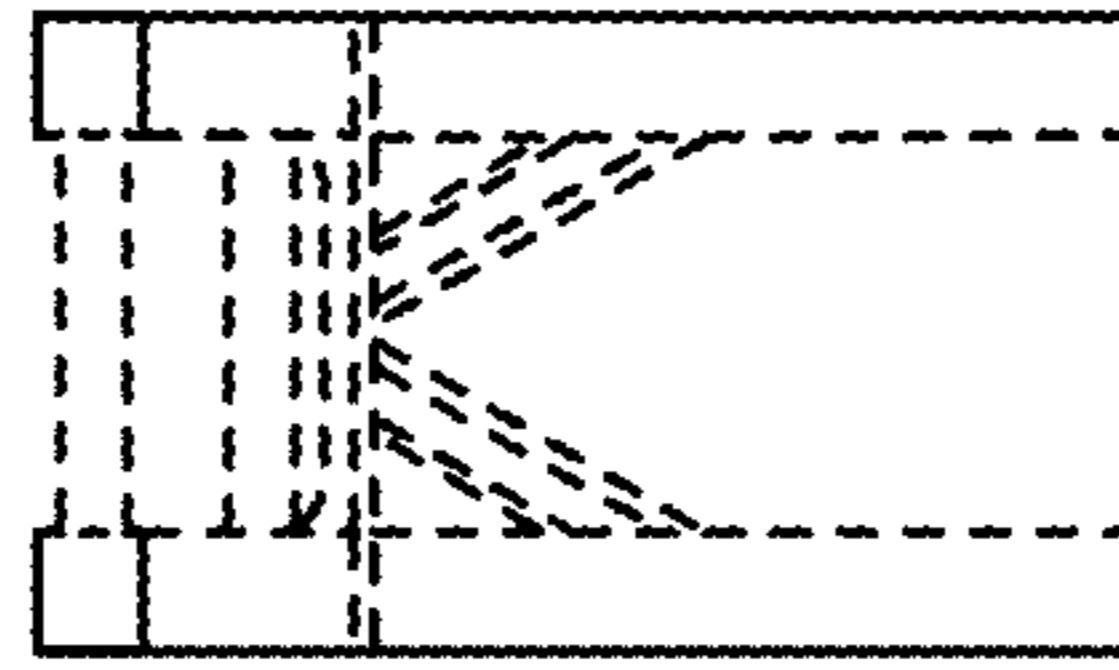


FIG. 8

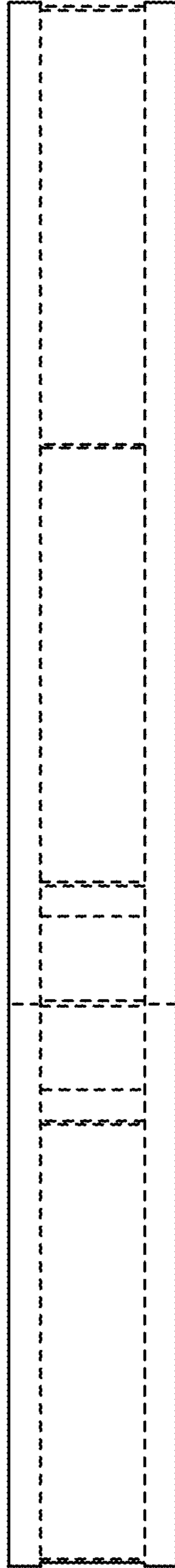


FIG. 9

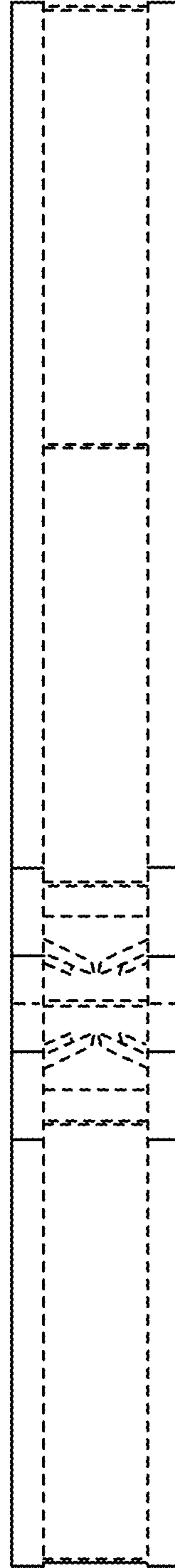


FIG. 10