



US00D776473S

(12) **United States Design Patent** (10) **Patent No.:** **US D776,473 S**
Fletcher (45) **Date of Patent:** **** Jan. 17, 2017**

(54) **TABLE TOP**

(71) Applicant: **Virco Mfg. Corporation**, Torrance, CA (US)

(72) Inventor: **Scott Fletcher**, Redondo Beach, CA (US)

(73) Assignee: **Virco Mfg. Corporation**, Torrance, CA (US)

(**) Term: **14 Years**

(21) Appl. No.: **29/506,850**

(22) Filed: **Oct. 21, 2014**

(51) **LOC (10) Cl.** **06-06**

(52) **U.S. Cl.**
USPC **D6/707.22**

(58) **Field of Classification Search**
USPC D6/685, 696, 696.1-696.7, 697, 707, D6/707.22

(Continued)

(56) **References Cited**

U.S. PATENT DOCUMENTS

D411,776 S * 7/1999 Epp D6/696.3
D440,798 S * 4/2001 Kuhlman D6/707.22

(Continued)

Primary Examiner — Mary Ann Calabrese

(74) *Attorney, Agent, or Firm* — Jeffrey G. Sheldon;
Leech Tishman Fuscaldo & Lampl

(57) **CLAIM**

The ornamental design for a table top, as shown and described.

DESCRIPTION

FIG. 1 is a perspective view showing a first embodiment of the new table top design, the broken lines are for environmental purposes only and form no part of the claimed design;

FIG. 2 is a front view of the table top illustrated in FIG. 1, the broken lines are for environmental purposes only and form no part of the claimed design;

FIG. 3 is a rear view of the table top illustrated in FIG. 1, the broken lines are for environmental purposes only and form no part of the claimed design;

FIG. 4 is a first side view of the table top illustrated in FIG. 1, the broken lines are for environmental purposes only and form no part of the claimed design;

FIG. 5 is a second side view of the table top illustrated in FIG. 1, the broken lines are for environmental purposes only and form no part of the claimed design;

FIG. 6 is a top view of the table top illustrated in FIG. 1;

FIG. 7 is a bottom view of the table top illustrated in FIG. 1, the broken lines are for environmental purposes only and form no part of the claimed design;

FIG. 8 is a top view illustrating of a first assemblage of a plurality of the table tops illustrated in FIG. 1, the broken lines are for environmental purposes only and form no part of the claimed design;

FIG. 9 is a top view illustrating of a second assemblage of a plurality of the table tops illustrated in FIG. 1, the broken lines are for environmental purposes only and form no part of the claimed design;

FIG. 10 is a top view illustrating of a third assemblage of a plurality of the table tops illustrated in FIG. 1, the broken lines are for environmental purposes only and form no part of the claimed design;

FIG. 11 is a top view illustrating of a fourth assemblage of a plurality of the table tops illustrated in FIG. 1, the broken lines are for environmental purposes only and form no part of the claimed design;

FIG. 12 is a perspective view showing a second (“mirror image”) embodiment of the new table top design, the broken lines are for environmental purposes only and form no part of the claimed design;

FIG. 13 is a front view of the table top illustrated in FIG. 12, the broken lines are for environmental purposes only and form no part of the claimed design;

FIG. 14 is a rear view of the table top illustrated in FIG. 12, the broken lines are for environmental purposes only and form no part of the claimed design;

(Continued)

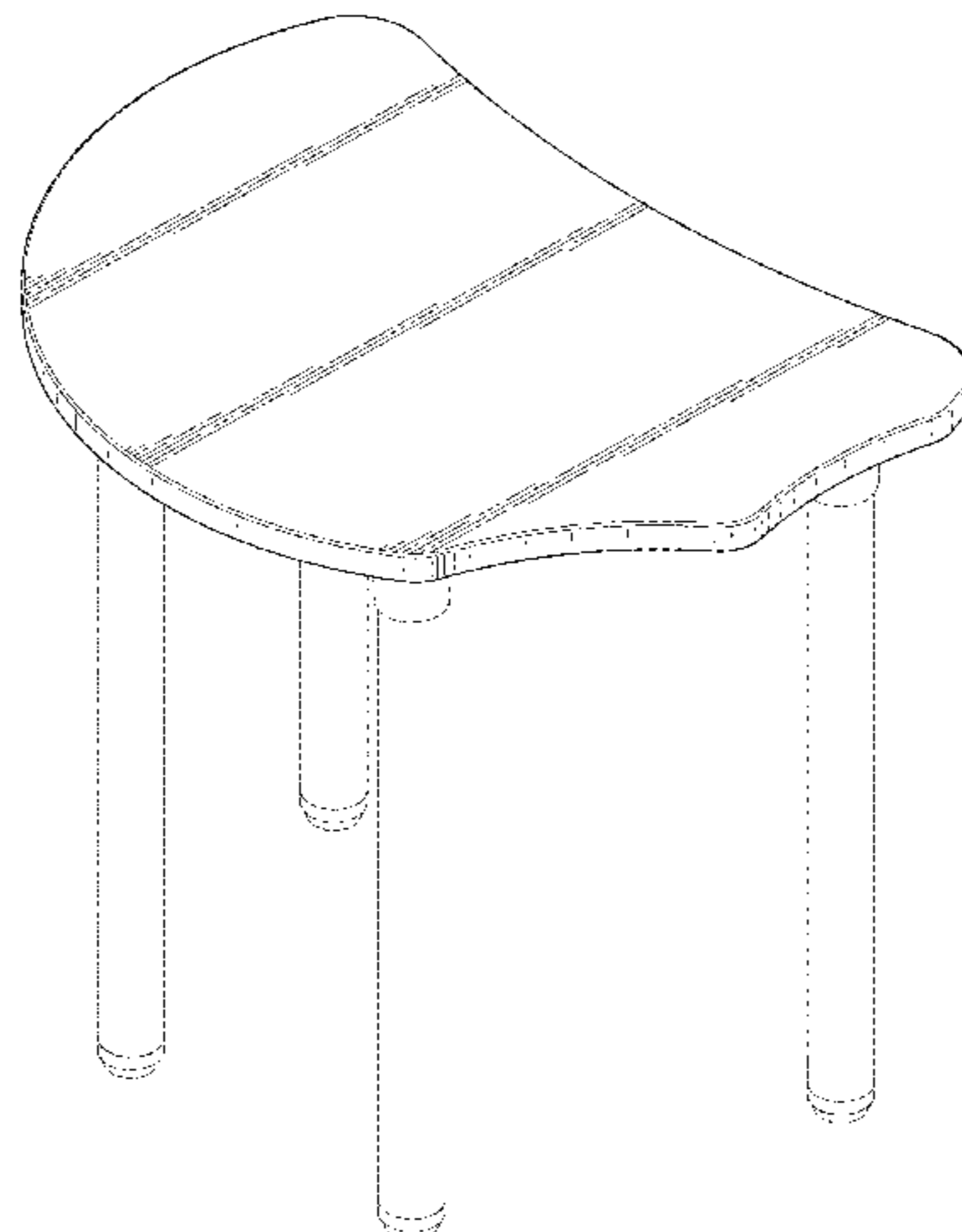


FIG. 15 is a first side view of the table top illustrated in FIG. 12, the broken lines are for environmental purposes only and form no part of the claimed design;

FIG. 16 is a second side view of the table top illustrated in FIG. 12, the broken lines are for environmental purposes only and form no part of the claimed design;

FIG. 17 is a top view of the table top illustrated in FIG. 12; and,

FIG. 18 is a bottom view of the table top illustrated in FIG. 12, the broken lines are for environmental purposes only and form no part of the claimed design.

1 Claim, 11 Drawing Sheets

(58) Field of Classification Search

CPC A47B 7/00; A47B 9/00; A47B 2009/006;
A47B 13/00; A47B 13/003; A47B 13/08;
A47B 13/088

See application file for complete search history.

(56) References Cited

U.S. PATENT DOCUMENTS

D442,795 S * 5/2001 Holt D6/406.3
D610,380 S * 2/2010 Momeny D6/707.22
D703,984 S * 5/2014 Nasserri D6/707.22

* cited by examiner

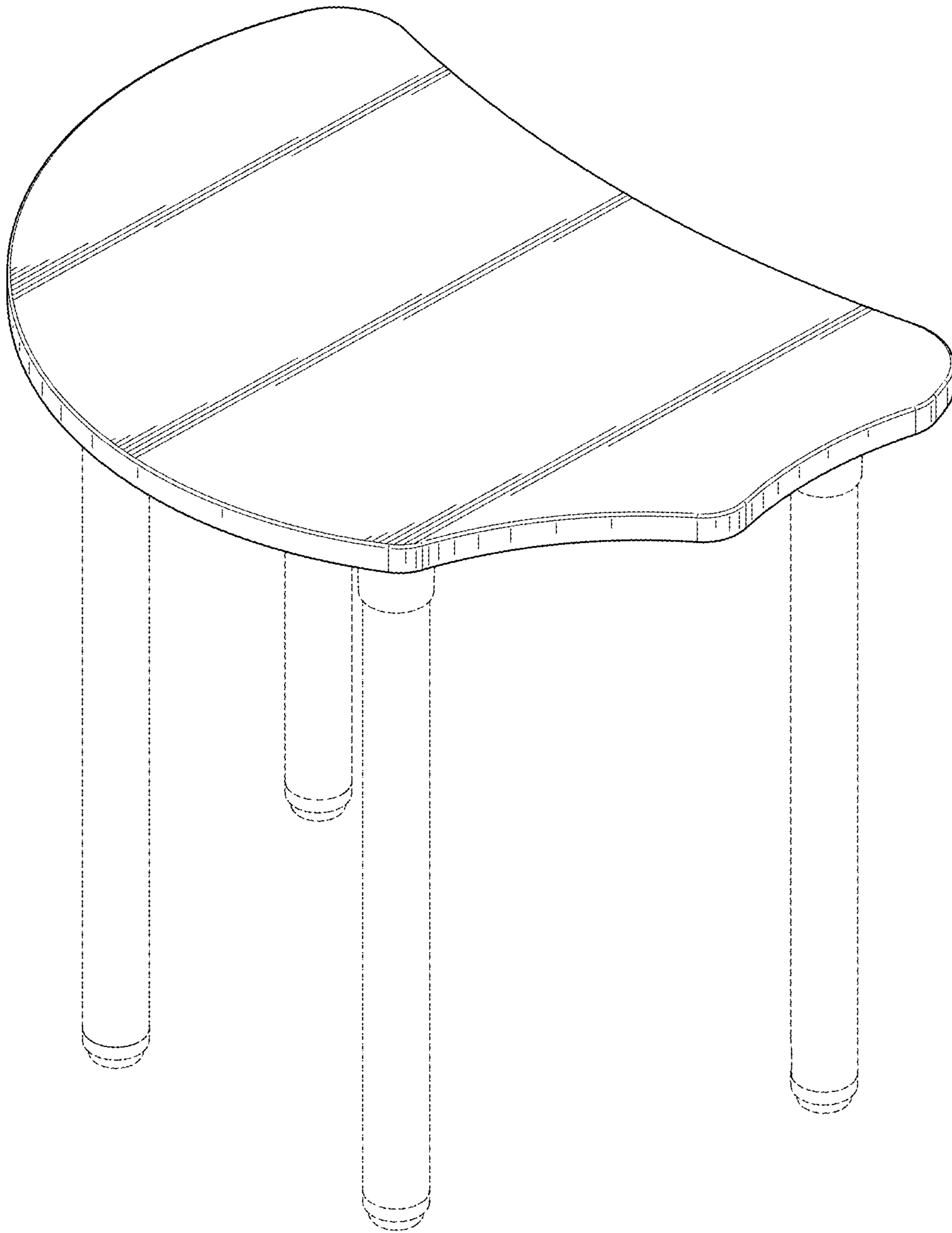


FIG. 1

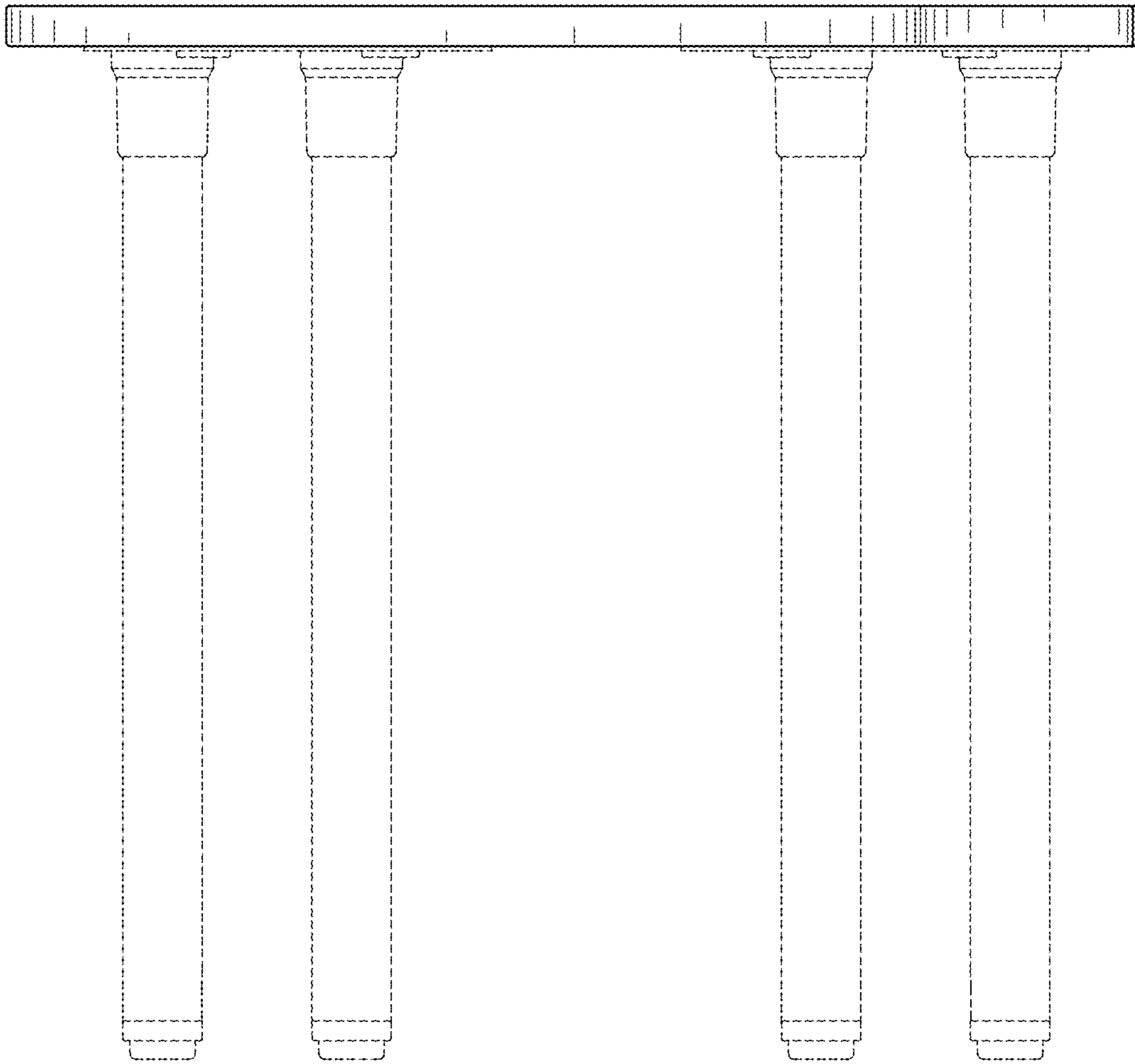


FIG. 2

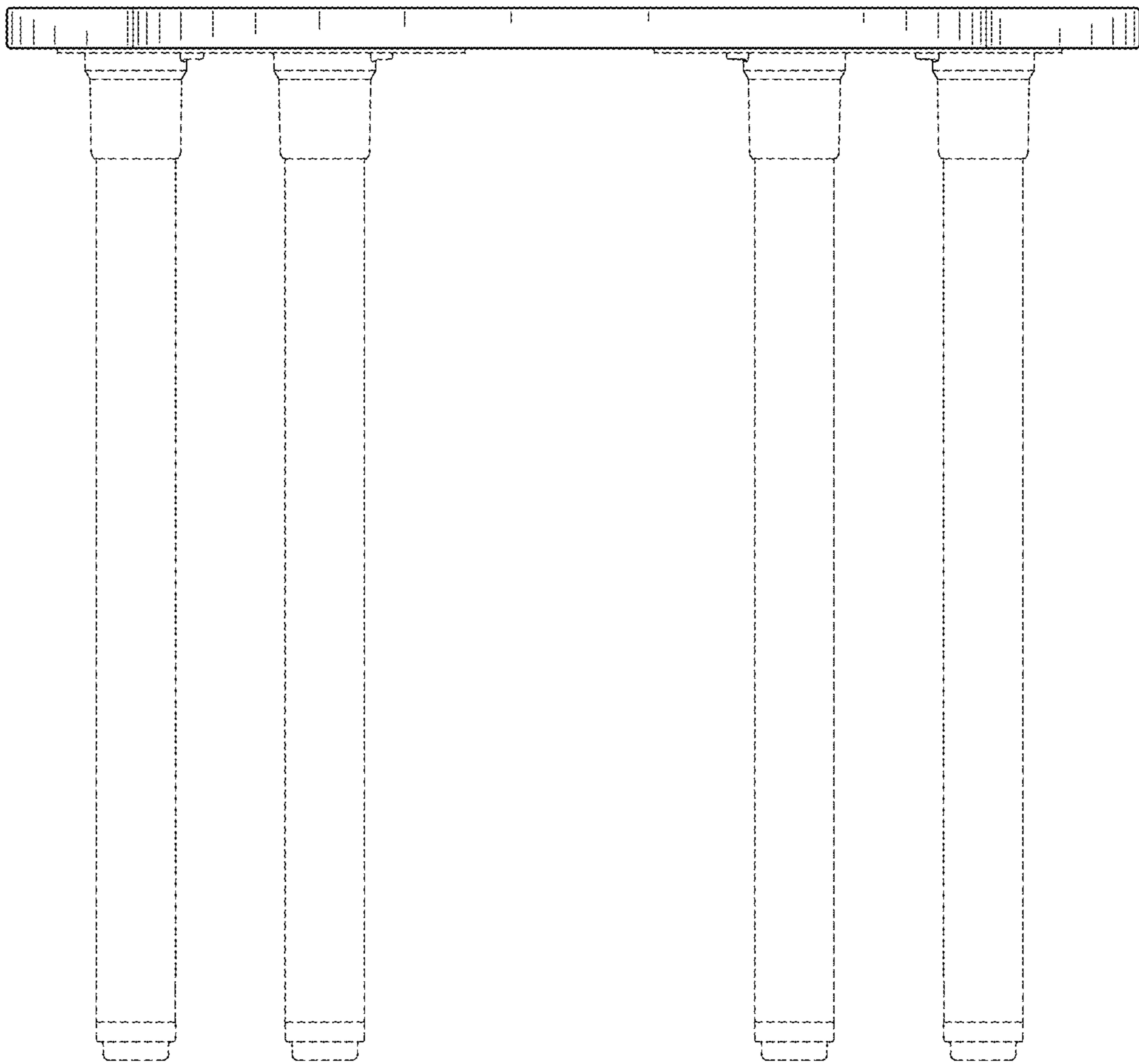


FIG. 3

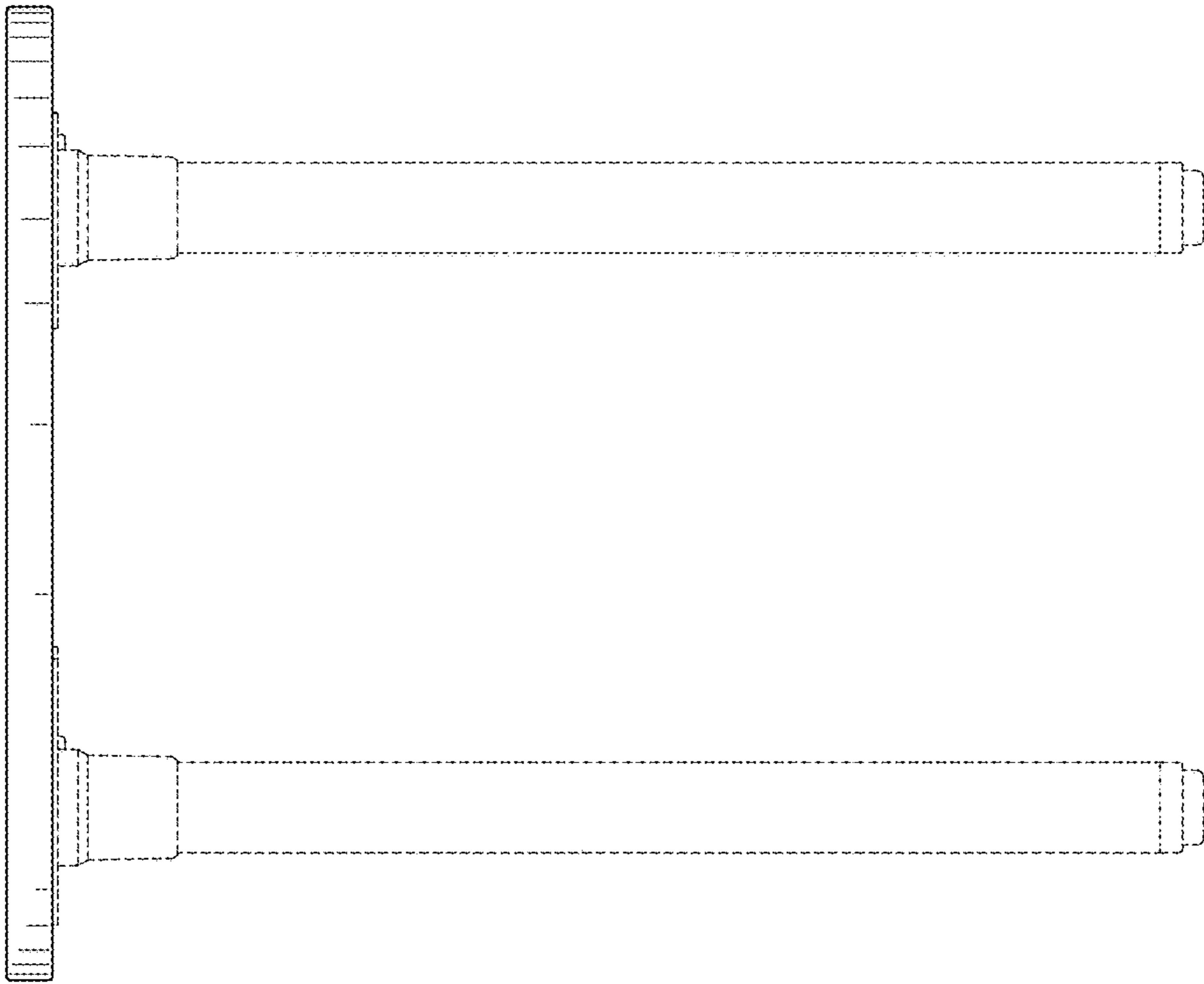


Fig. 5

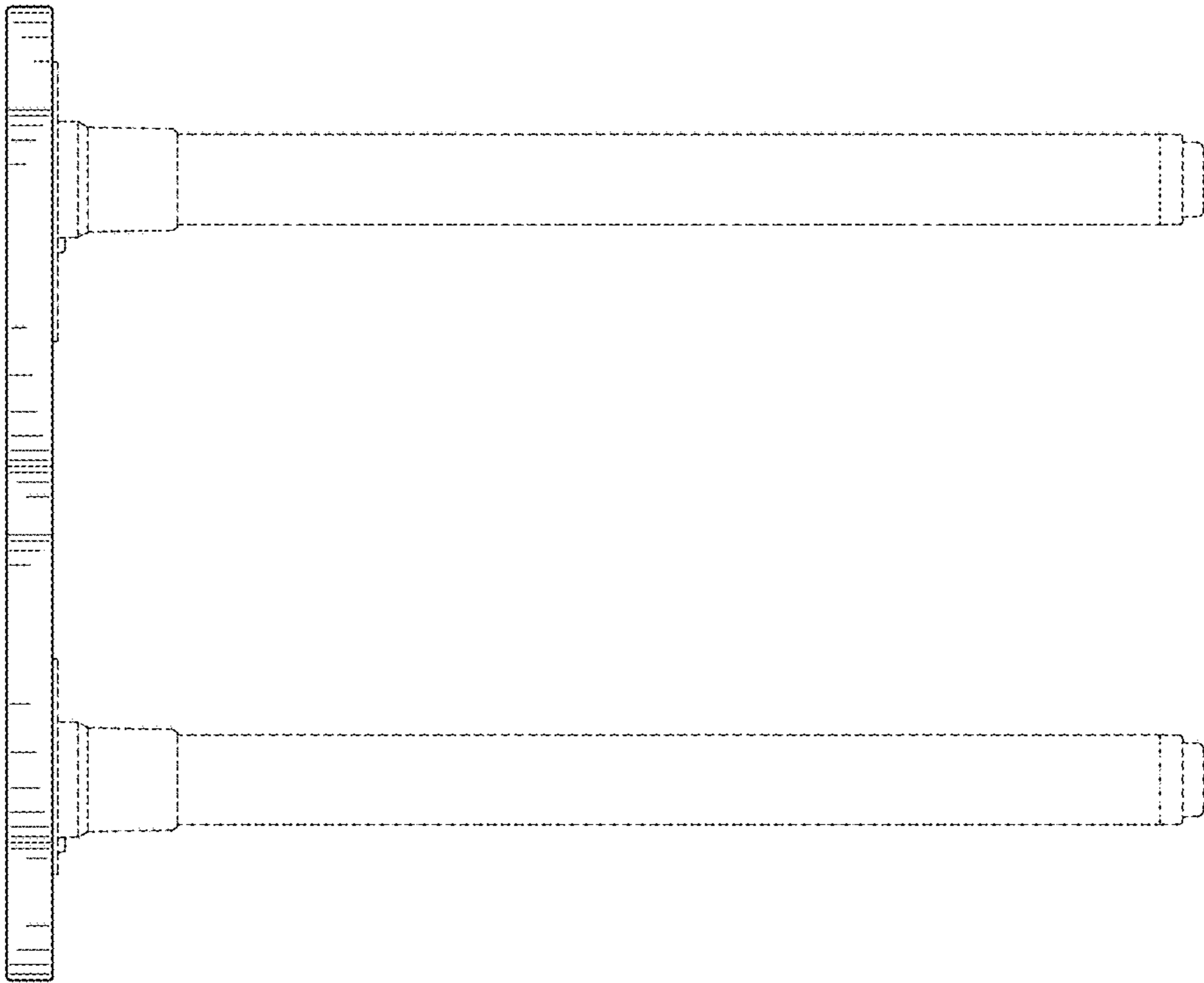


Fig. 4

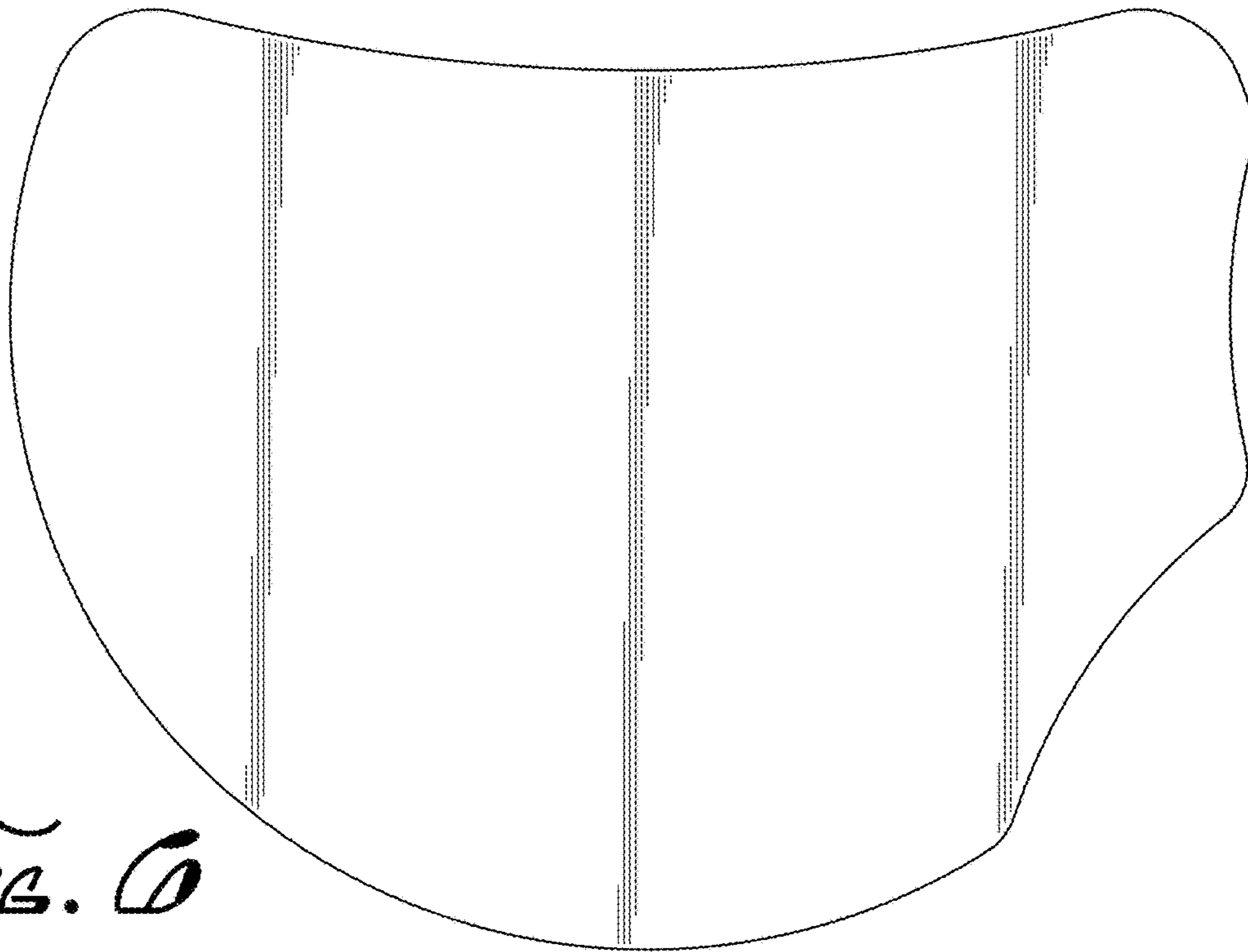


FIG. 6

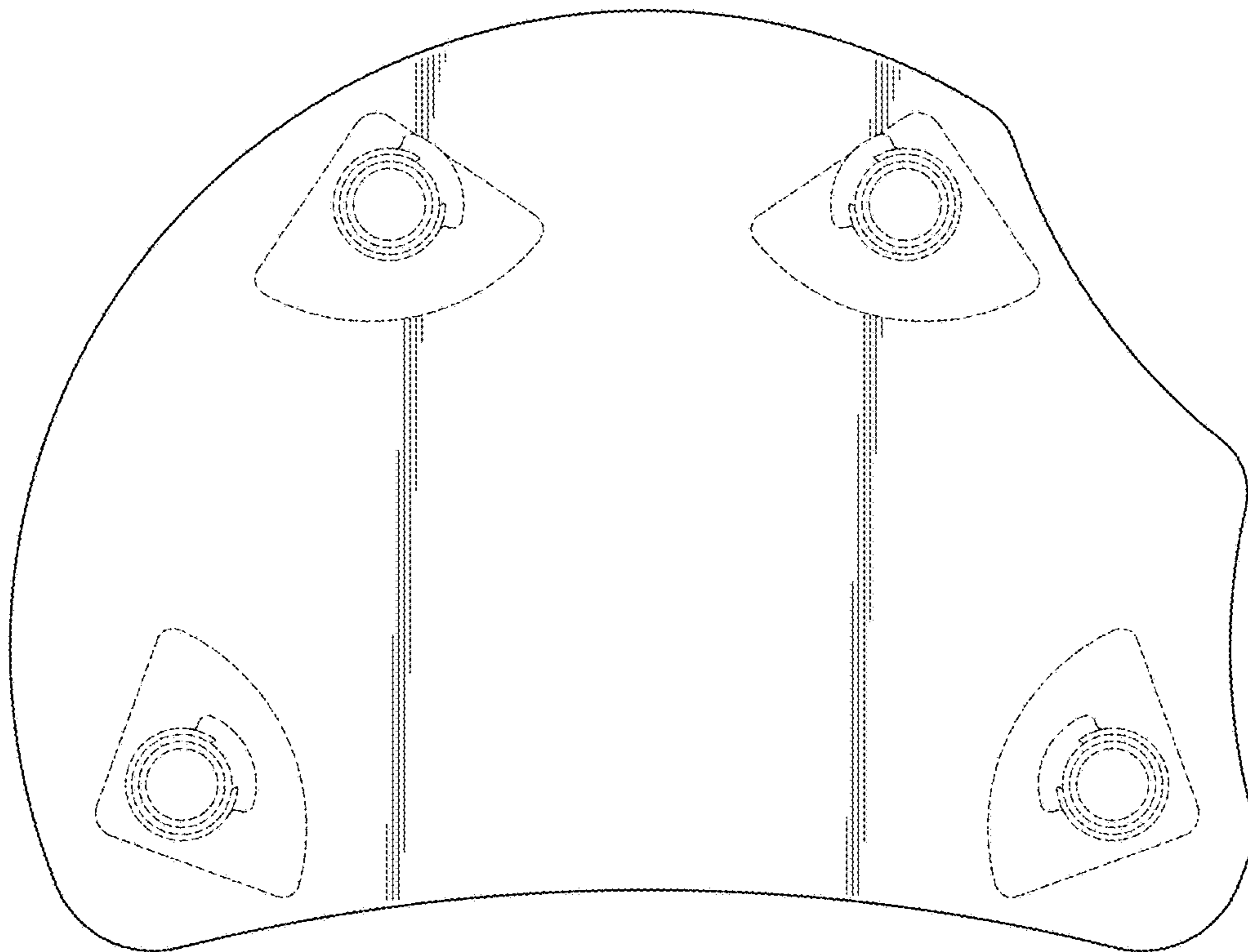


FIG. 7

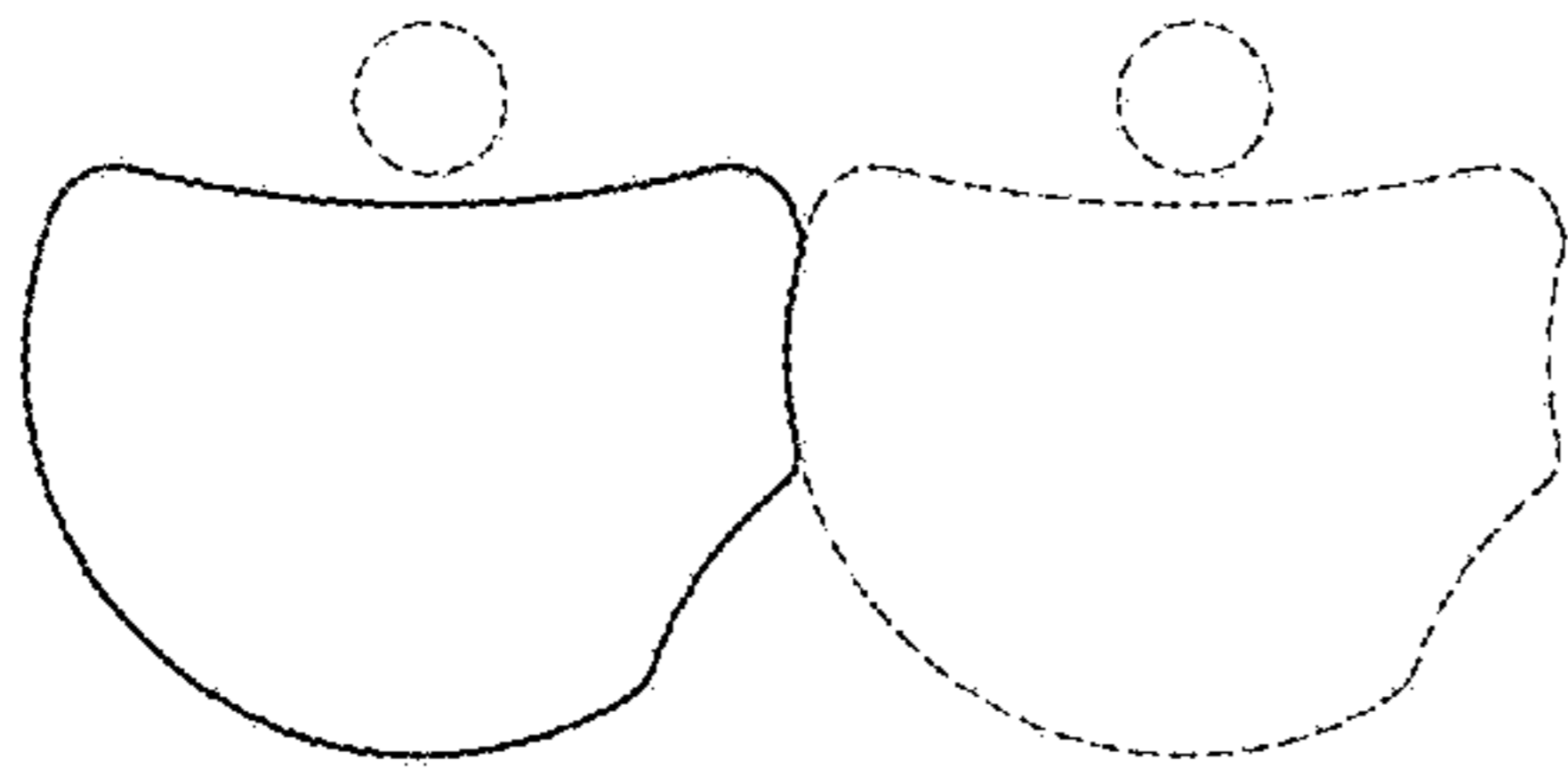


FIG. 8

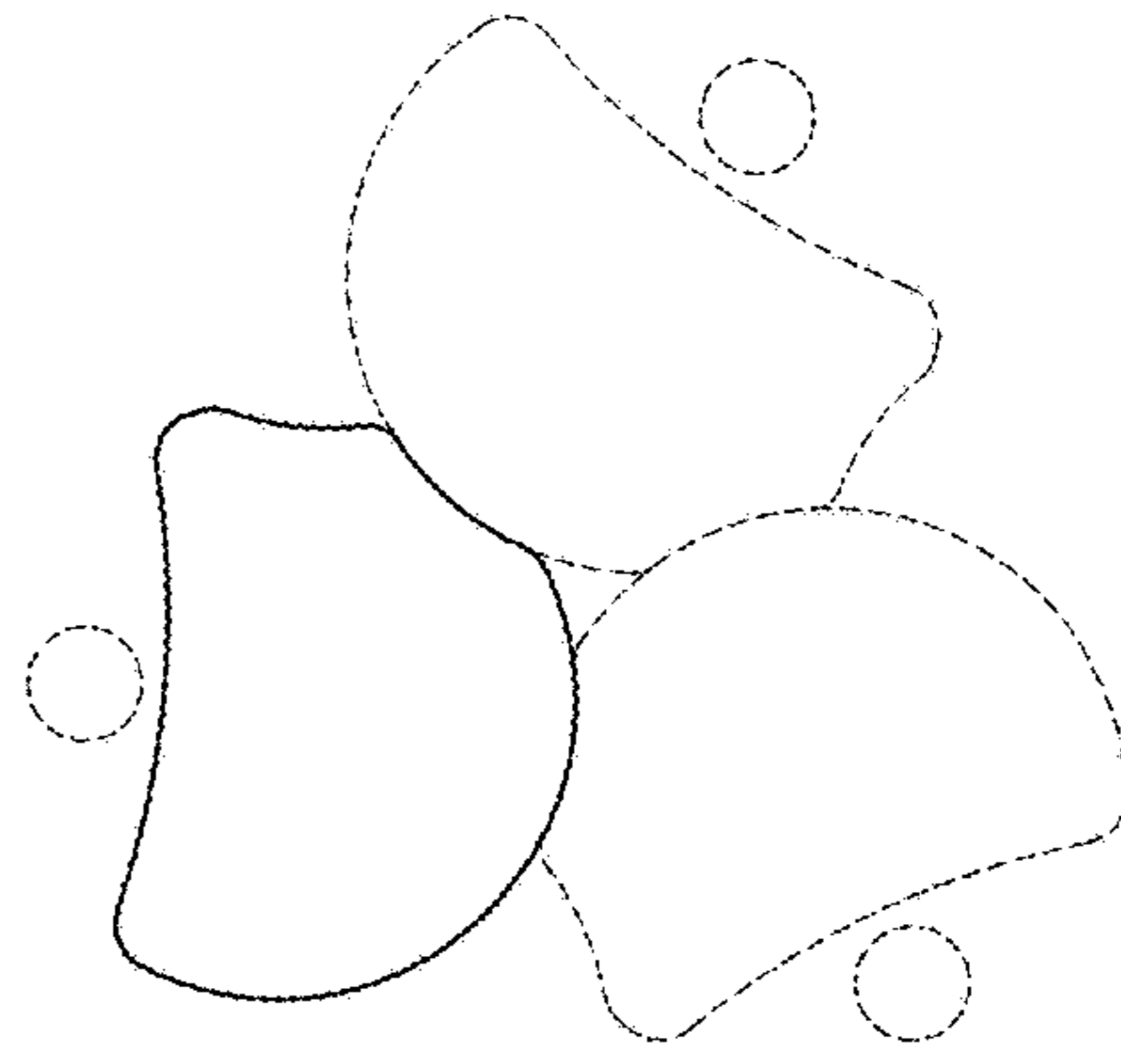


FIG. 9

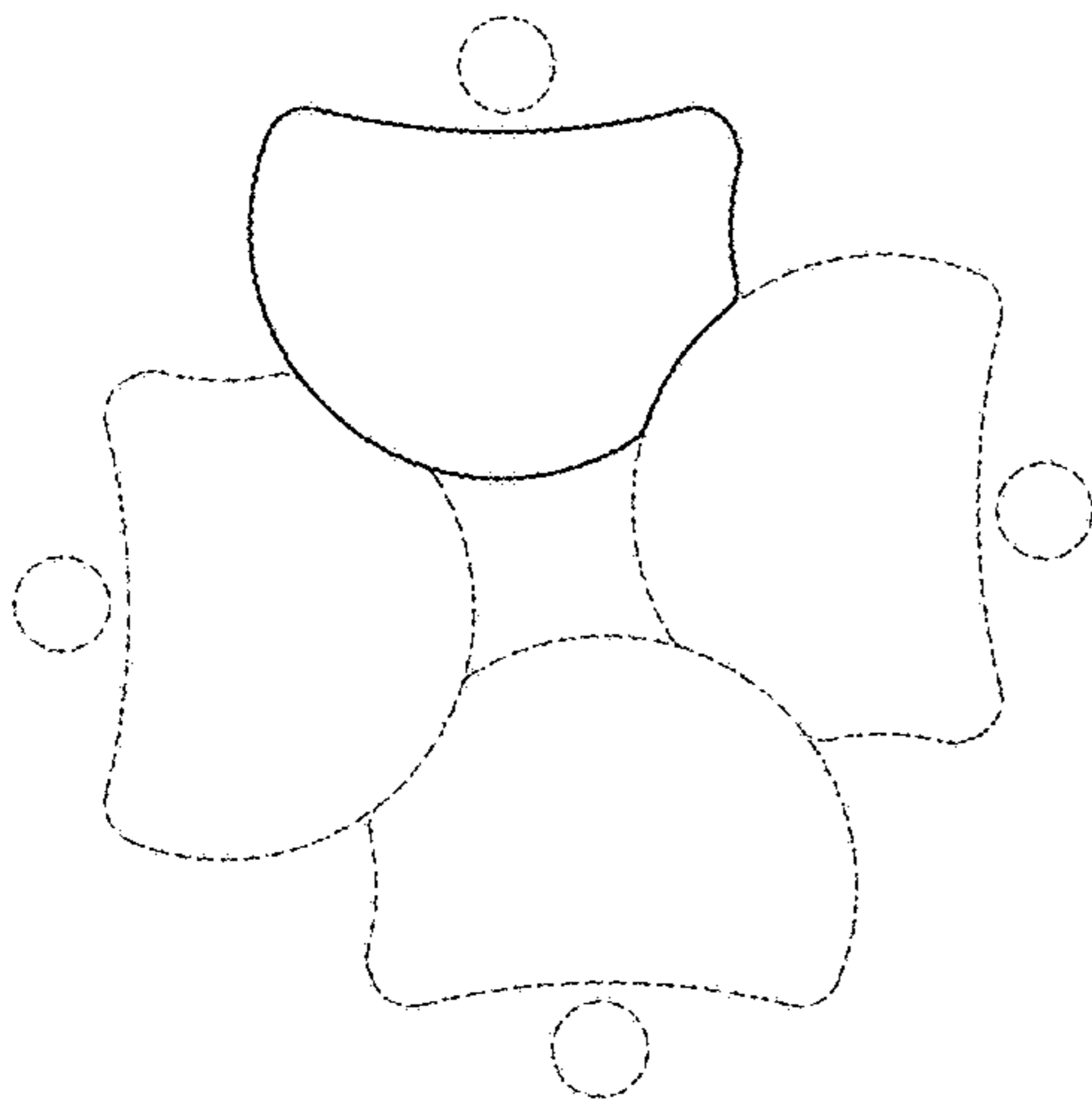


FIG. 10

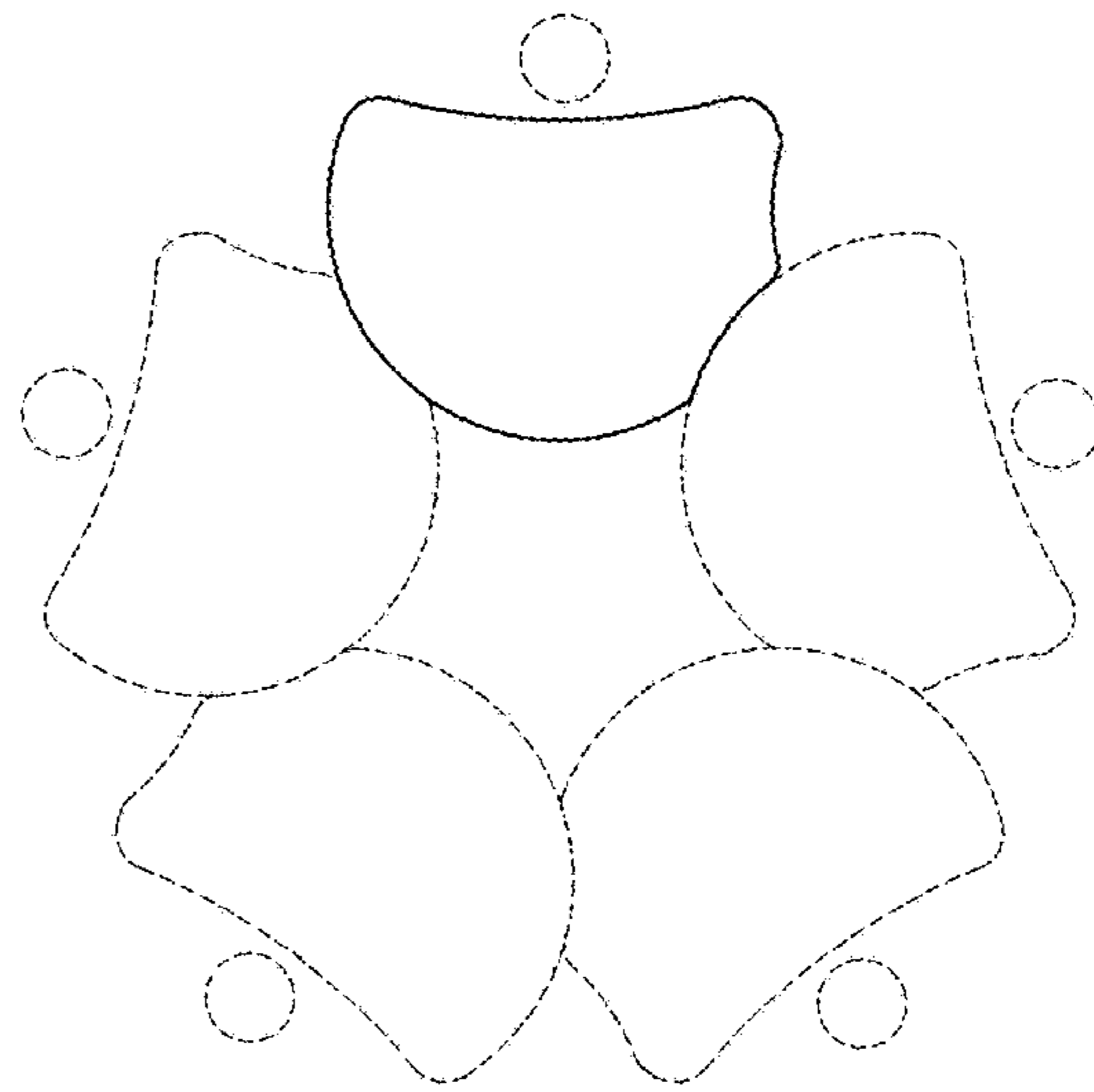


FIG. 11

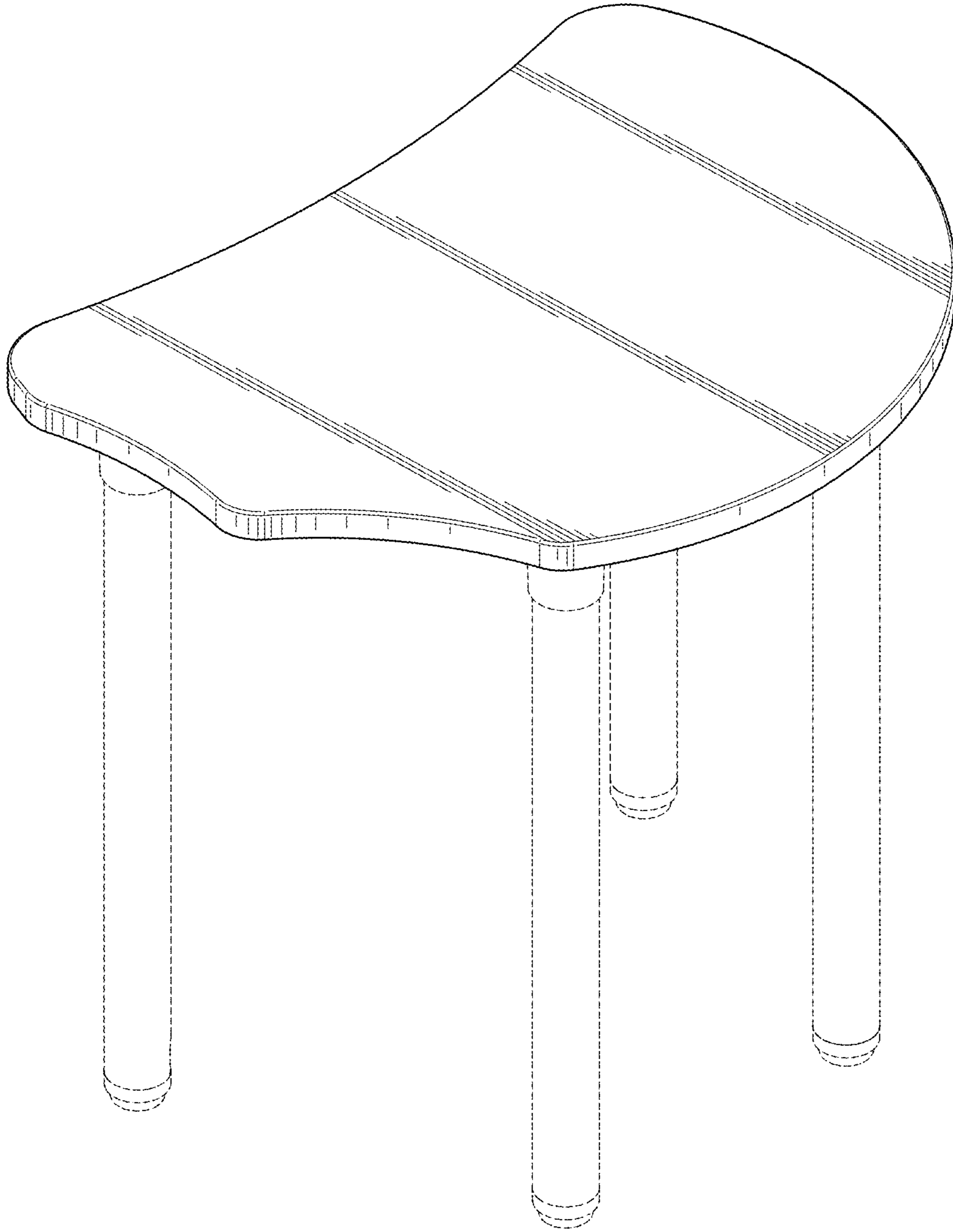


FIG. 12

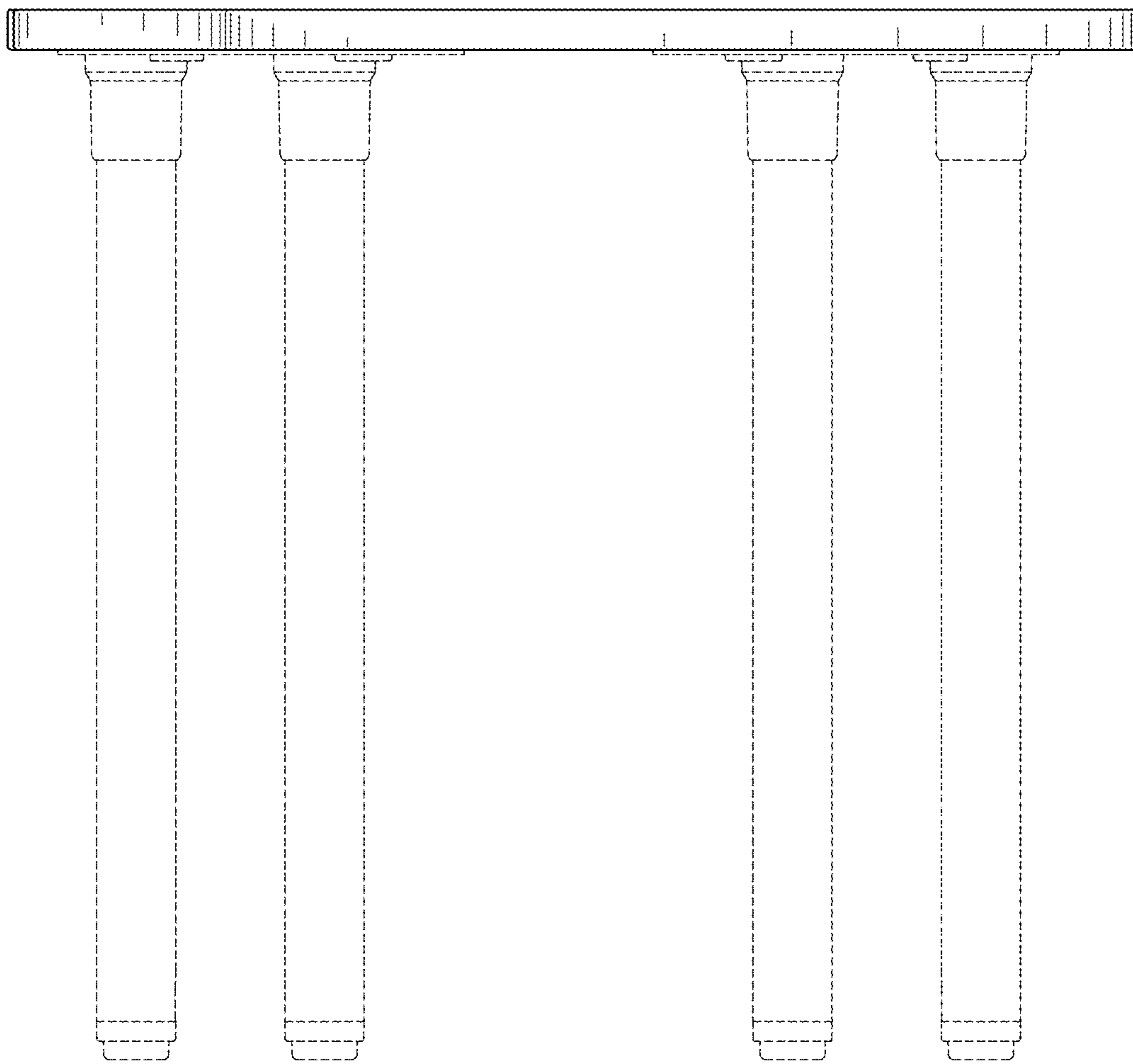


FIG. 13

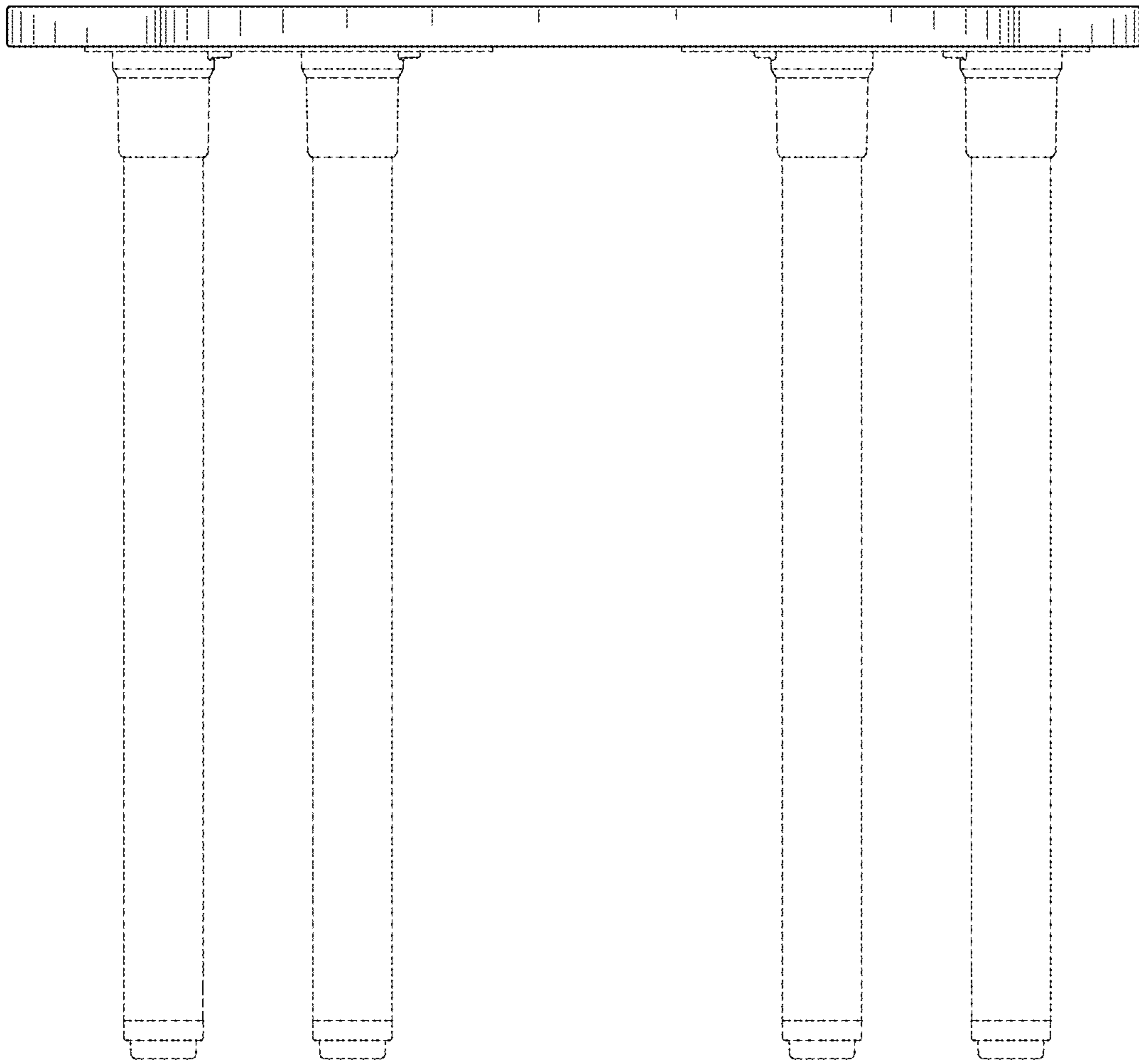


FIG. 14

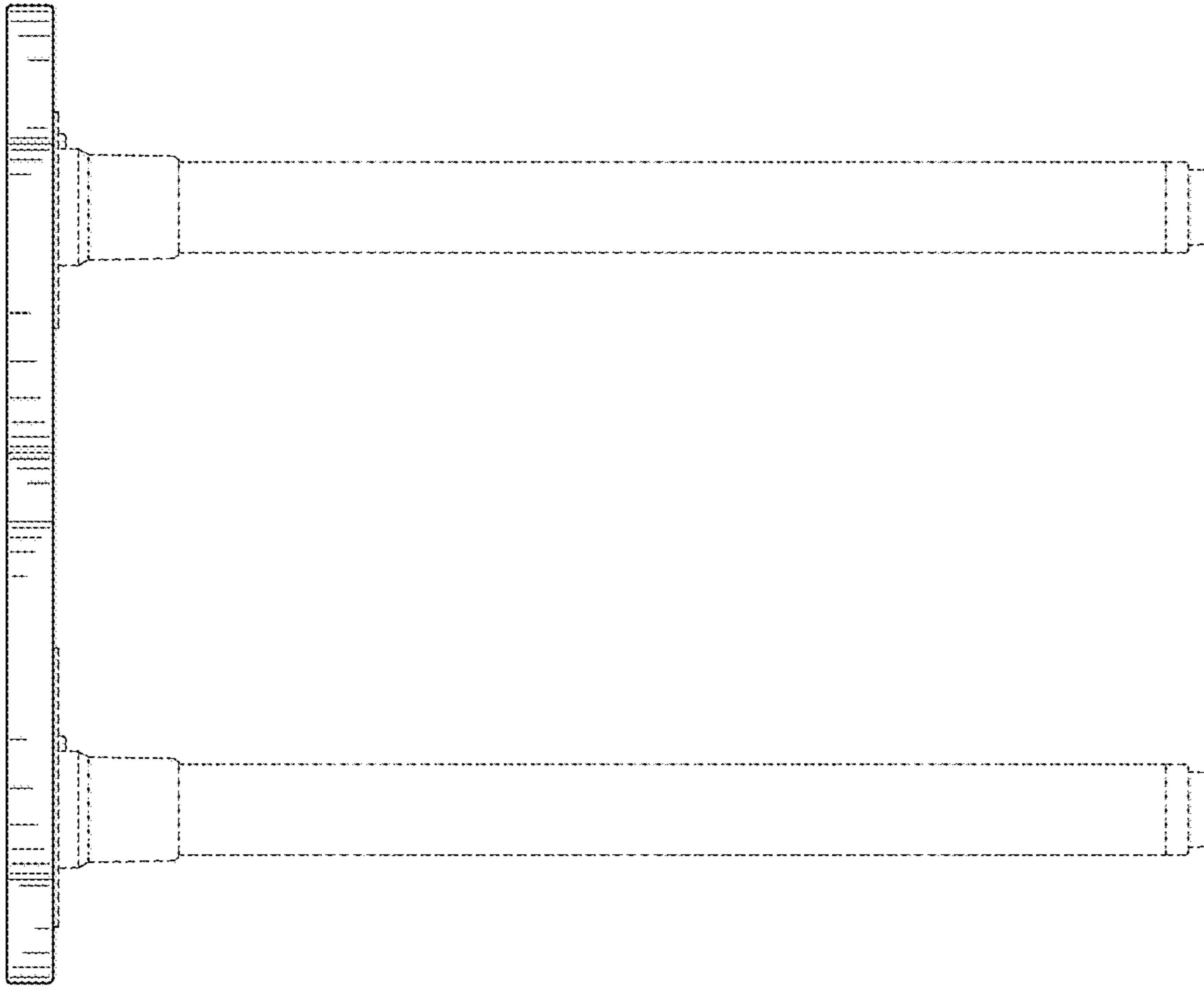


Fig. 10

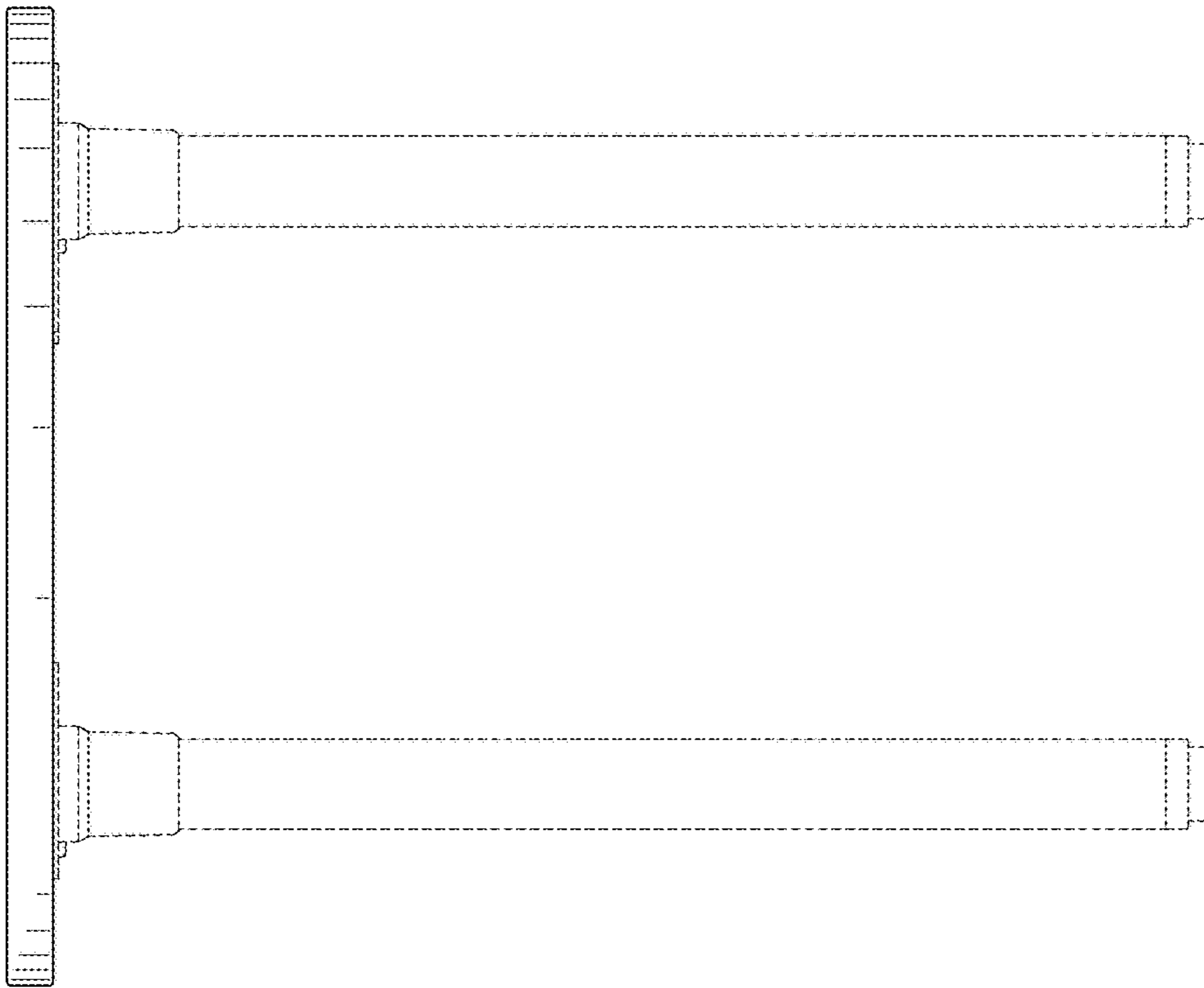


Fig. 15

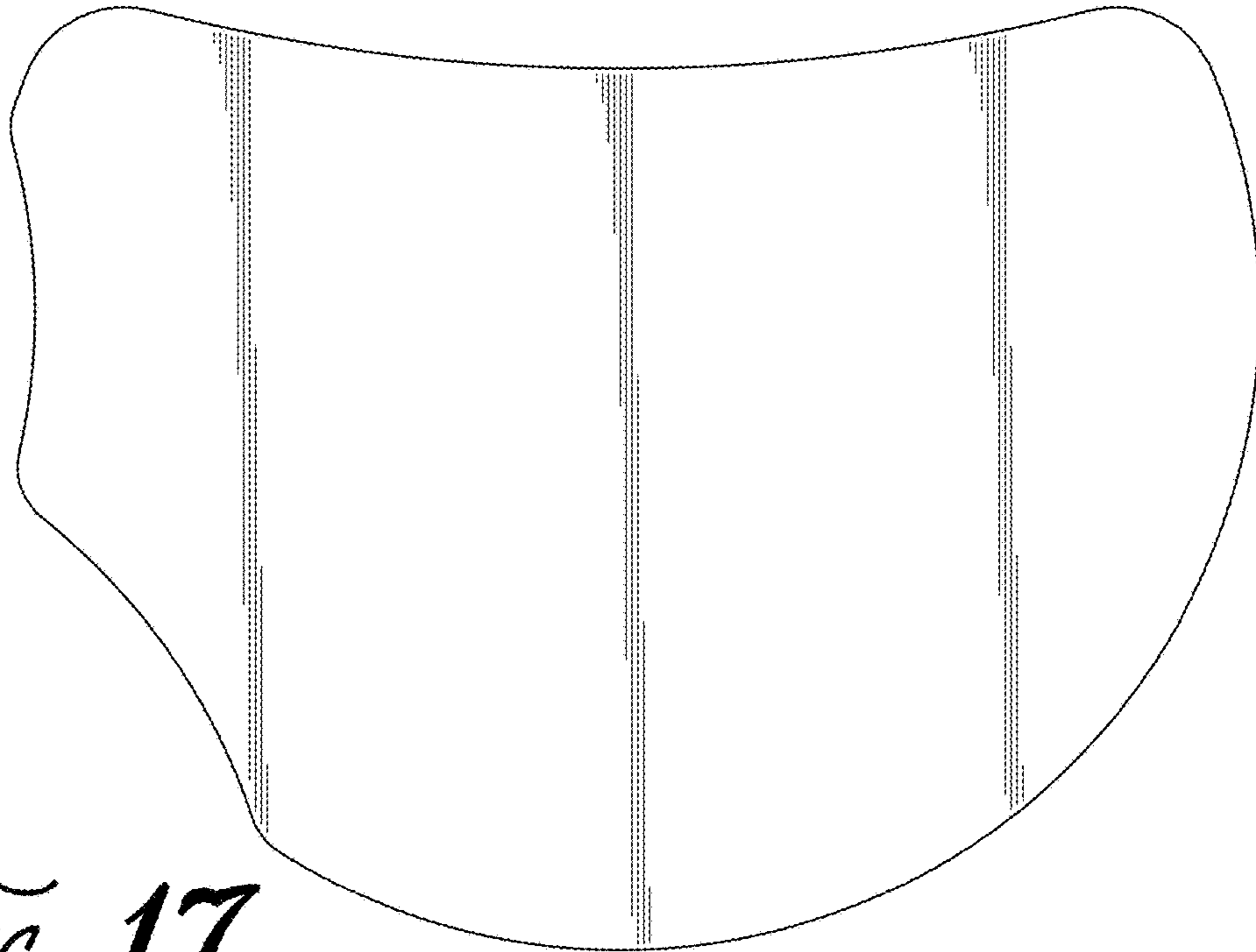


FIG. 17

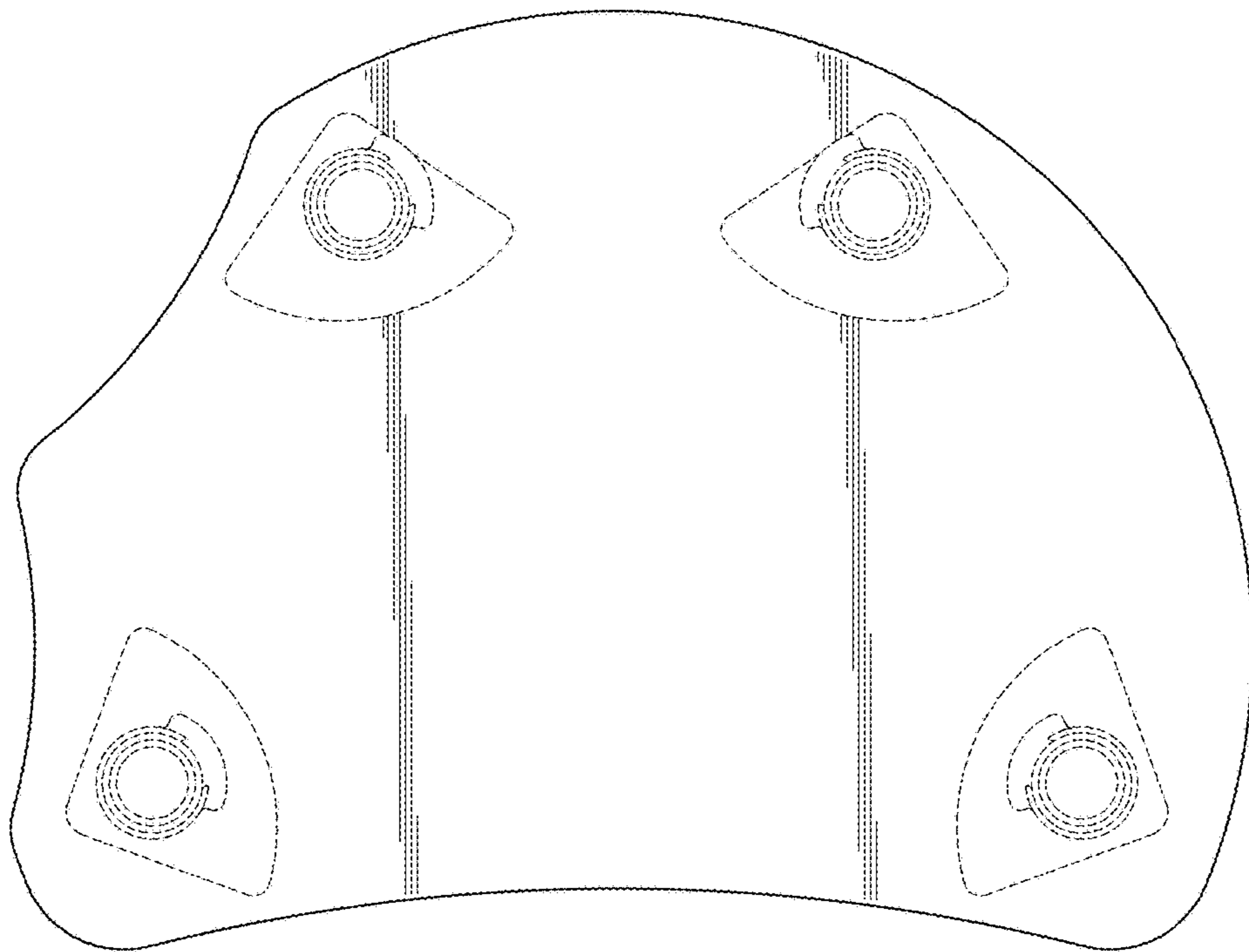


FIG. 18

UNITED STATES PATENT AND TRADEMARK OFFICE
CERTIFICATE OF CORRECTION

PATENT NO. : D776,473 S
APPLICATION NO. : 29/506850
DATED : January 17, 2017
INVENTOR(S) : Scott Fletcher

Page 1 of 1

It is certified that error appears in the above-identified patent and that said Letters Patent is hereby corrected as shown below:

On the Title Page

Column 1, item (73), after "Assignee:" replace "Vicro Mfg. Corporation" with --Virco Mfg. Corporation--.

Signed and Sealed this
Twenty-third Day of May, 2017



Michelle K. Lee
Director of the United States Patent and Trademark Office