



US00D776471S

(12) **United States Design Patent**
Mandon et al.

(10) **Patent No.:** **US D776,471 S**
(45) **Date of Patent:** **** Jan. 17, 2017**

(54) **TABLE**

(71) Applicant: **Apple Inc.**, Cupertino, CA (US)

(72) Inventors: **Kully Kraig Mandon**, San Francisco, CA (US); **Christopher M. Green**, Woodside, CA (US); **Jonathan P. Siegel**, San Francisco, CA (US); **Jody Akana**, San Francisco, CA (US); **Bartley K. Andre**, Palo Alto, CA (US); **Shota Aoyagi**, San Francisco, CA (US); **Anthony Michael Ashcroft**, San Francisco, CA (US); **Jeremy Bataillou**, San Francisco, CA (US); **Daniel J. Coster**, San Francisco, CA (US); **Daniele De Iuliis**, San Francisco, CA (US); **M. Evans Hankey**, San Francisco, CA (US); **Julian Hoenig**, San Francisco, CA (US); **Richard P. Howarth**, San Francisco, CA (US); **Jonathan P. Ive**, San Francisco, CA (US); **Duncan Robert Kerr**, San Francisco, CA (US); **Matthew Dean Rohrbach**, San Francisco, CA (US); **Peter Russell-Clarke**, San Francisco, CA (US); **Benjamin Andrew Shaffer**, San Jose, CA (US); **Mikael Silvano**, San Francisco, CA (US); **Christopher J. Stringer**, Woodside, CA (US); **Eugene Antony Whang**, San Francisco, CA (US); **Rico Zörkendörfer**, San Francisco, CA (US)

(73) Assignee: **Apple Inc.**, Cupertino, CA (US)

(**) Term: **14 Years**

(21) Appl. No.: **29/522,911**

(22) Filed: **Apr. 3, 2015**

(51) **LOC (10) Cl.** **06-03**

(52) **U.S. Cl.**
USPC **D6/691.1; D6/691.2**

(58) **Field of Classification Search**

USPC D6/349, 619.5, 641, 642, 656.19, 657, D6/660, 675, 686, 690, 691, 691.1, D6/691.2, 691.8
(Continued)

(56) **References Cited**

U.S. PATENT DOCUMENTS

3,289,616 A * 12/1966 Donihi B25H 1/02
108/161
D245,135 S * 7/1977 Saltz D6/691.1
(Continued)

FOREIGN PATENT DOCUMENTS

JP 1488695 S 1/2014
JP 1537517 S 11/2015
(Continued)

OTHER PUBLICATIONS

Neil Hughes, "Apple retail stores 'bulging at the seams' at 8400 average square feet," *Appleinsider.com*, dated May 8, 2012, accessed at <http://appleinsider.com/articles/12/05/08/apple_retail_stores_bulging_at_the_seams_at_8400_average_square_feet>, accessed on Oct. 20, 2014, 2 pages.
(Continued)

Primary Examiner — Mary Ann Calabrese
(74) *Attorney, Agent, or Firm* — Sterne, Kessler, Goldstein & Fox, P.L.L.C.

(57) **CLAIM**

The ornamental design for a table, as shown and described.

DESCRIPTION

FIG. 1 is a top front perspective view of a table showing our new design;
FIG. 2 is a top rear perspective view thereof;
FIG. 3 is a front view thereof;
FIG. 4 is a rear view thereof;
FIG. 5 is a left side view thereof;

(Continued)

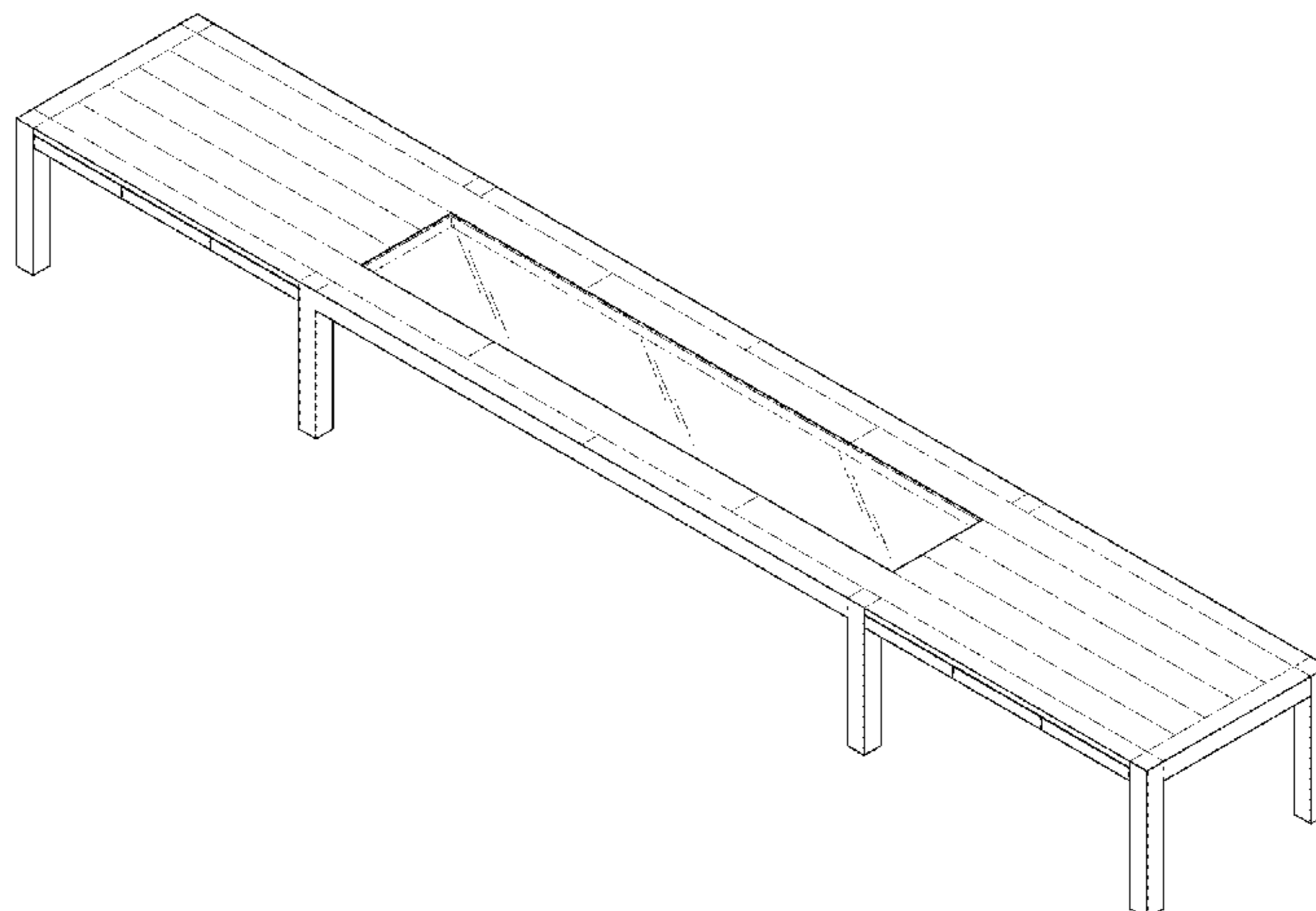


FIG. 6 is a right side view thereof;
 FIG. 7 is a top view thereof; and,
 FIG. 8 is a bottom view thereof.

D766,630 S * 9/2016 Akana D6/691.1
 2010/0242808 A1* 9/2010 Negoro A47B 13/003
 108/42
 2016/0064995 A1* 3/2016 Schwalbach A47F 7/022
 320/108

1 Claim, 5 Drawing Sheets

(58) **Field of Classification Search**

CPC A47B 7/00; A47B 13/00; A47B 13/003;
 A47B 13/02; A47B 13/06; A47B 13/08;
 A47B 2013/028; A47B 17/00

See application file for complete search history.

(56) **References Cited**

U.S. PATENT DOCUMENTS

D456,643 S * 5/2002 Harner D6/691.5
 D502,617 S * 3/2005 Chang D6/691.9
 D522,274 S 6/2006 Coval
 D591,079 S 4/2009 Singler et al.
 D591,979 S 5/2009 Singler et al.
 7,926,430 B2* 4/2011 Bakker A47B 21/06
 108/25
 D657,978 S 4/2012 Hamm et al.
 D659,433 S * 5/2012 Starck D6/656.19
 D678,696 S 3/2013 Hamm et al.
 D679,521 S 4/2013 Hamm et al.
 D688,494 S 8/2013 Hamm et al.
 D693,156 S 11/2013 Hamm et al.
 D713,658 S 9/2014 Tio et al.
 D725,947 S 4/2015 Tio et al.
 D728,281 S 5/2015 Heirakuji et al.

FOREIGN PATENT DOCUMENTS

KR 30-0703066 7/2013
 WO DM/070932 4/2009

OTHER PUBLICATIONS

Valentina Palladino, "Apple Store Receives Trademark for 'Distinctive Design and Layout,'" Wired.com, dated Jan. 30, 2013, accessed at <<http://www.wired.com/2013/01/apple-store-trademark/>>, accessed on Oct. 10, 2014, 2 pages.
 Miro Zagnoli, "Paesaggio domestico," Interni, Apr. 1997, p. 162, Issue 469.
 Japanese Patent Office Document No. HA24006766, Dated by JPO Sep. 1, 2012, p. 167, JP.
 Dinos, Japanese Patent Office Document No. HJ21062299, Dated by JPO Mar. 25, 2016, JP.
 U.S. Appl. No. 29/471,331, filed Oct. 30, 2013.
 U.S. Appl. No. 29/489,107, filed Apr. 25, 2014.
 U.S. Appl. No. 14/274,418, filed May 9, 2014.
 U.S. Appl. No. 29/493,878, filed Jun. 13, 2014.
 U.S. Appl. No. 29/493,879, filed Jun. 13, 2014.
 U.S. Appl. No. 29/495,788, filed Jul. 3, 2014.
 U.S. Appl. No. 29/499,677, filed Aug. 18, 2014.
 U.S. Appl. No. 29/500,951, filed Aug. 29, 2014.
 U.S. Appl. No. 29/501,029, filed Aug. 29, 2014.
 U.S. Appl. No. 29/501,841, filed Sep. 9, 2014.
 U.S. Appl. No. 29/516,911, filed Feb. 6, 2015.
 U.S. Appl. No. 29/525,869, filed May 4, 2015.

* cited by examiner

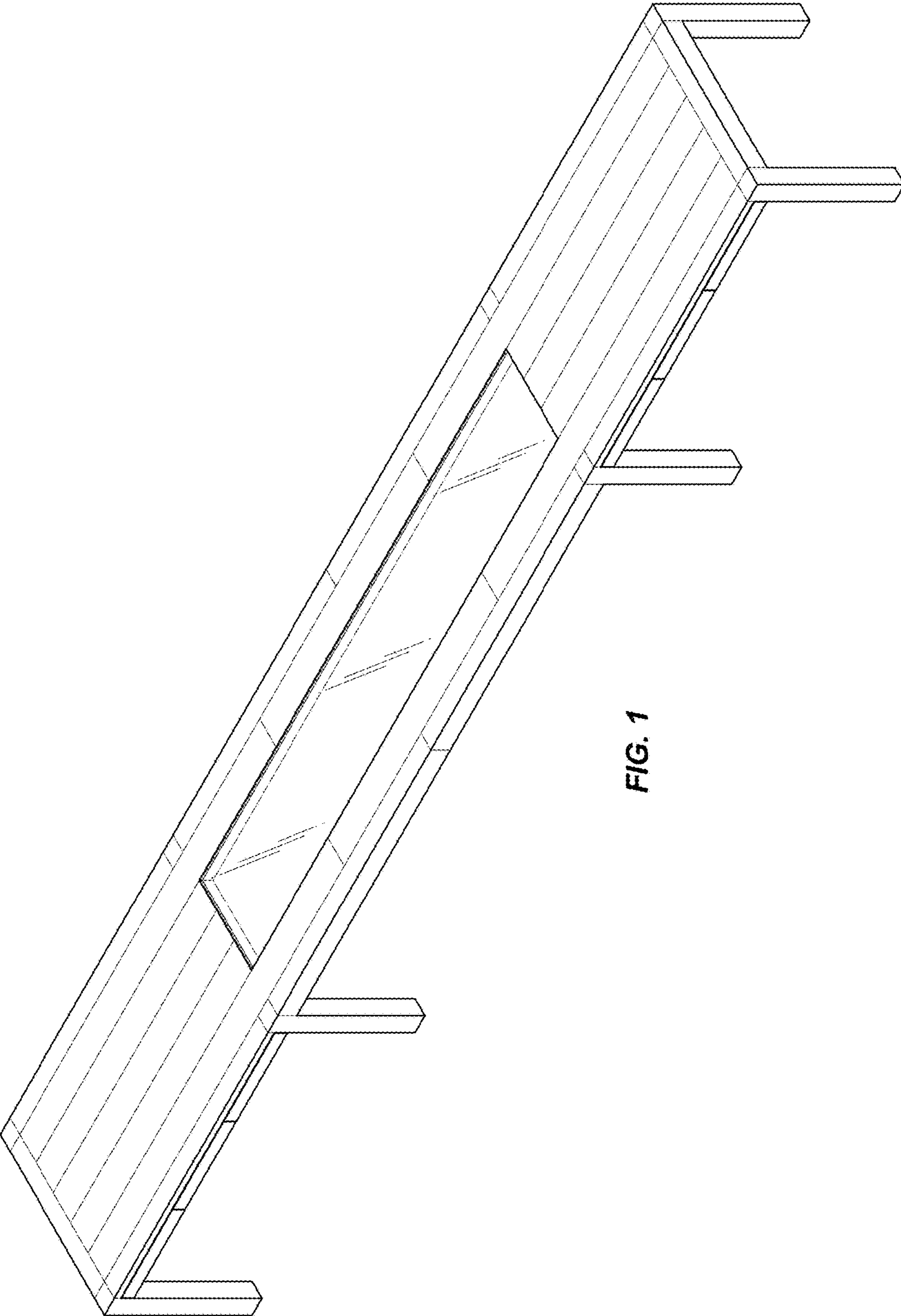


FIG. 1

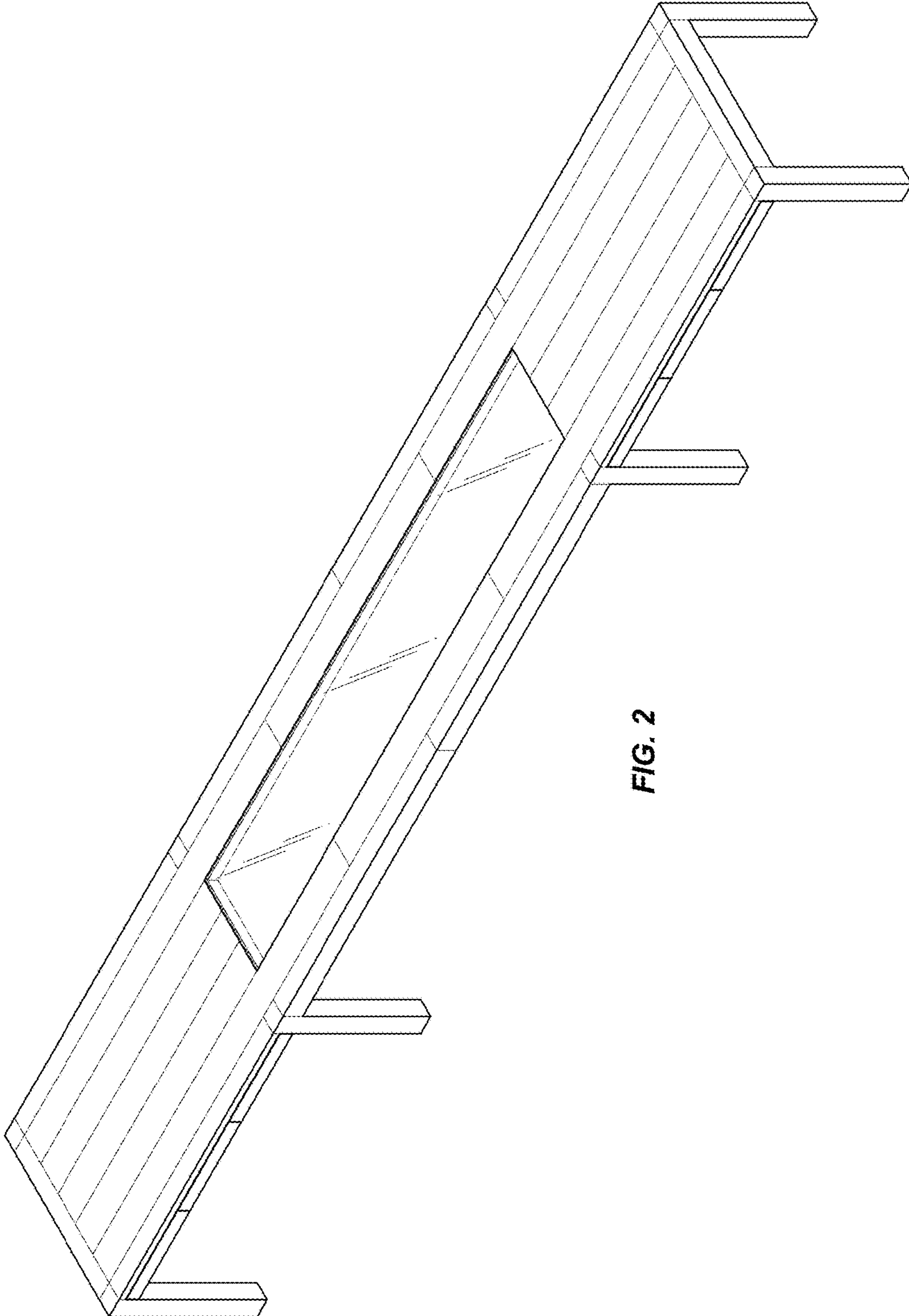


FIG. 2

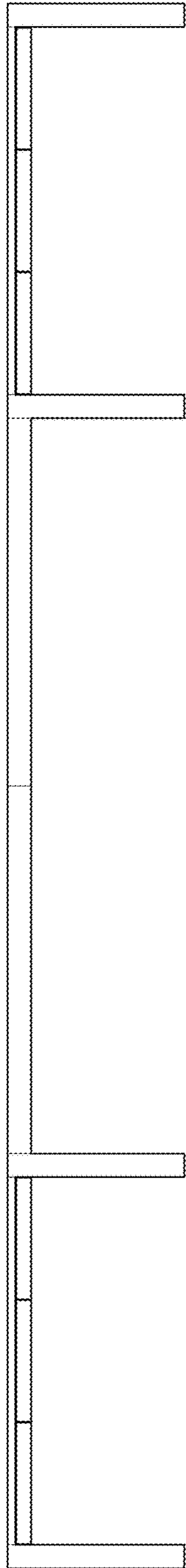


FIG. 3

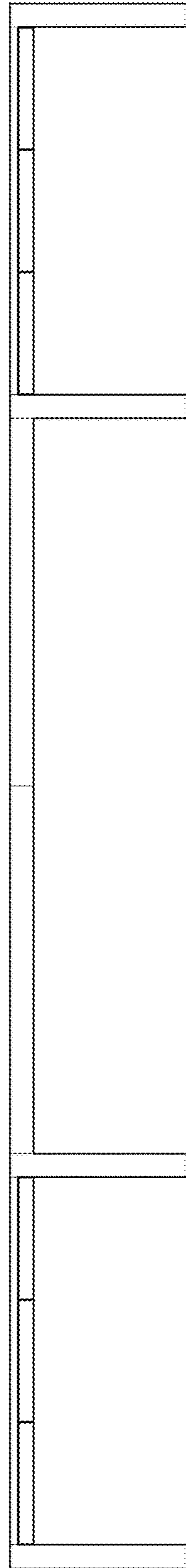


FIG. 4

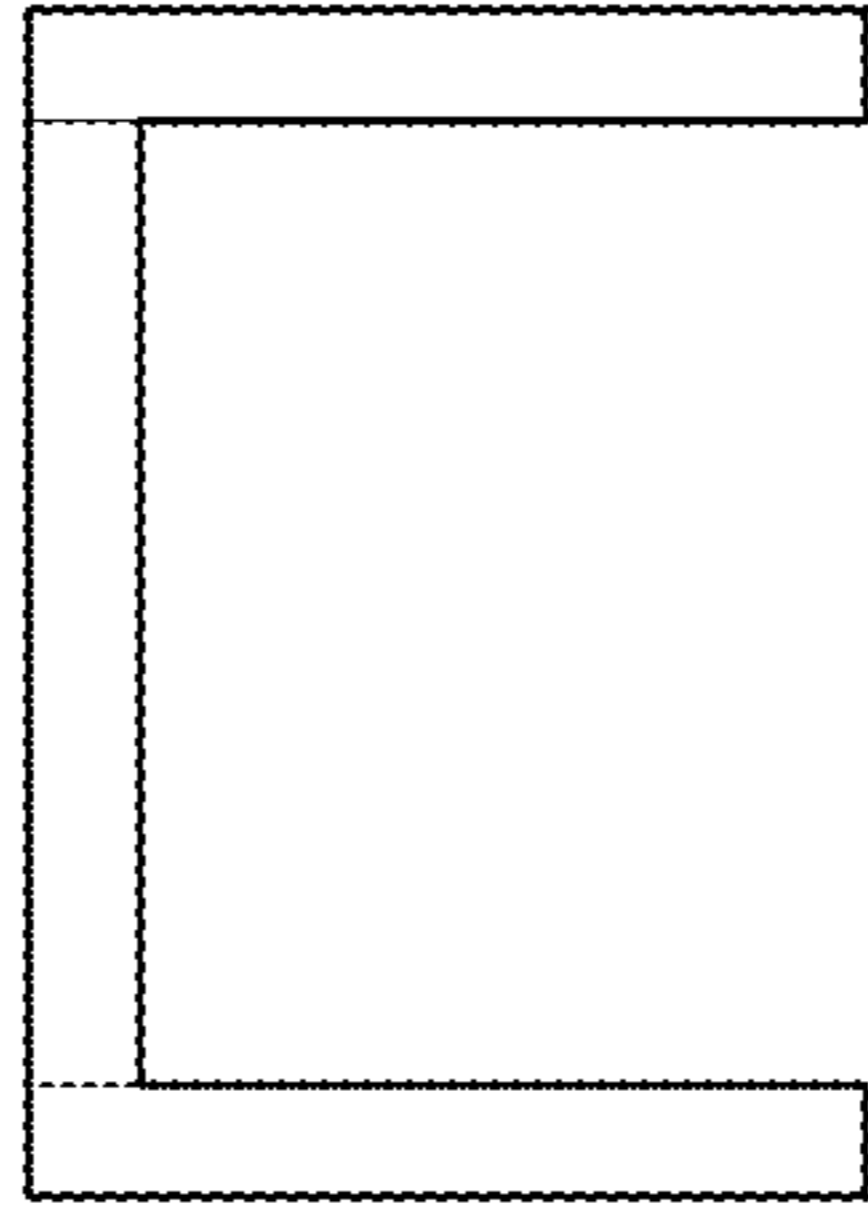


FIG. 5

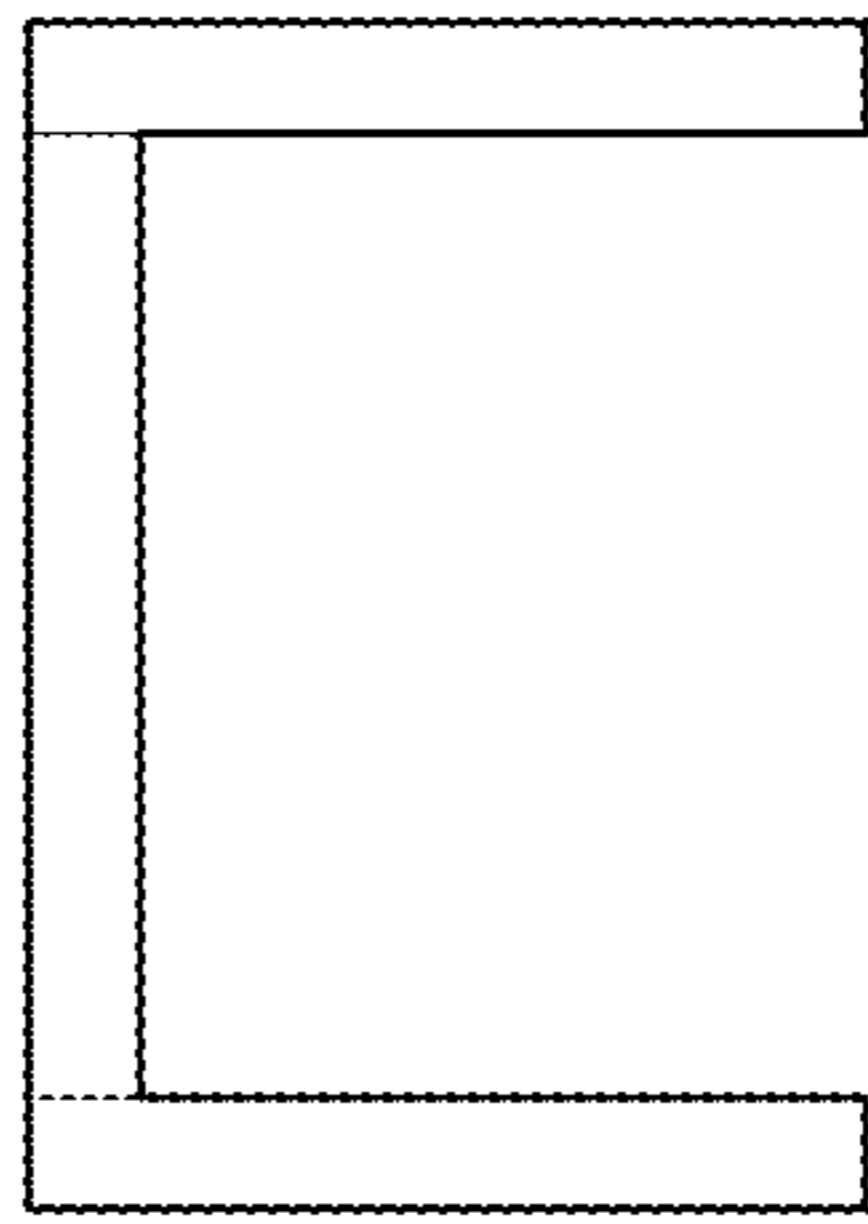


FIG. 6

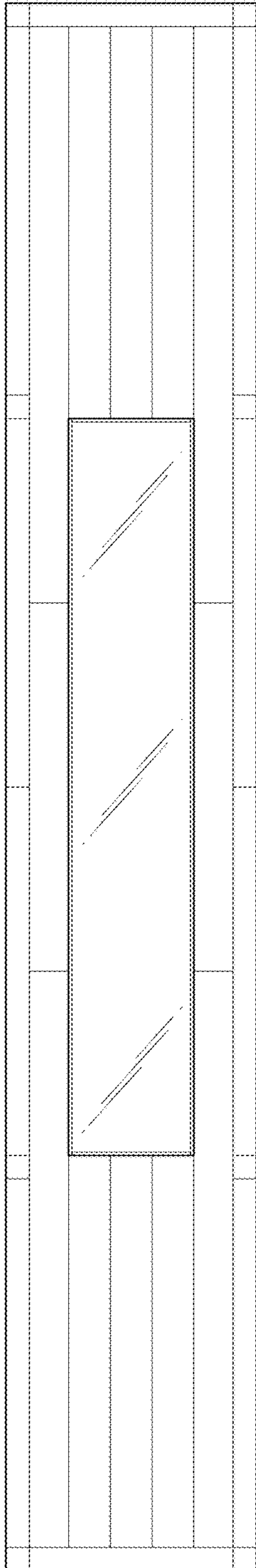


FIG. 7

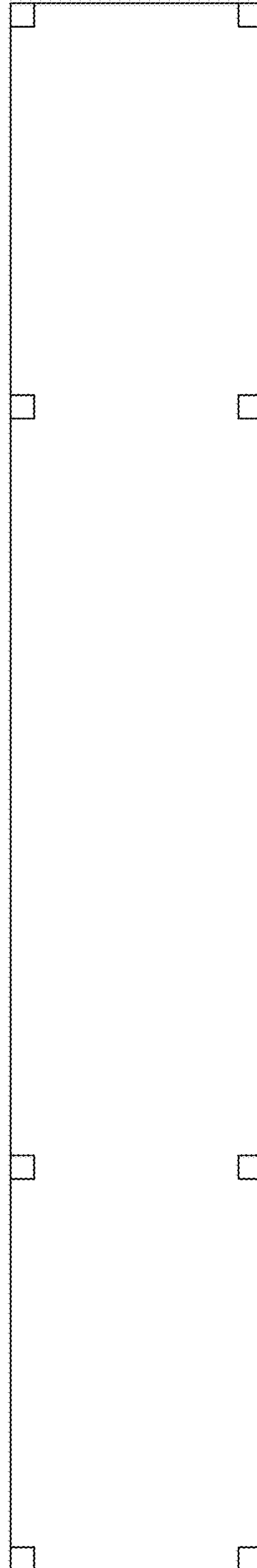


FIG. 8