



US00D776470S

(12) **United States Design Patent** (10) **Patent No.:** **US D776,470 S**  
**Heck et al.** (45) **Date of Patent:** **\*\* Jan. 17, 2017**

(54) **COUNTER TABLE**  
(71) Applicant: **Samsung Electronics Co., Ltd.**,  
Suwon-si, Gyeonggi-do (KR)  
(72) Inventors: **Felix Heck**, London (GB); **Ju-Suek Lee**, London (GB); **Yu-Na Oh**, London (GB)

D519,299 S \* 4/2006 Boudreau ..... D6/657  
D521,277 S \* 5/2006 Quintal ..... D6/699  
D604,529 S \* 11/2009 Bloch ..... D6/651  
D684,800 S \* 6/2013 Johnson ..... D6/699  
D711,171 S \* 8/2014 Brielmaier ..... D6/675  
D742,662 S \* 11/2015 Muller ..... D6/669  
D764,845 S \* 8/2016 Tsuchiyama ..... D6/699  
D765,450 S \* 9/2016 Biddle ..... D6/691

(73) Assignee: **SAMSUNG ELECTRONICS CO., LTD.**, Suwon-si, Gyeonggi-Do (KR)  
(\*\*) Term: **14 Years**

FOREIGN PATENT DOCUMENTS  
EM 000696943-0004 5/2007  
EM 001090559-0002 3/2009  
EM 002102624-0001 1/2013  
WO DM/076193 3/2011

(21) Appl. No.: **29/520,889**

\* cited by examiner

(22) Filed: **Mar. 18, 2015**

*Primary Examiner* — Rosemary K Tarcza

*Assistant Examiner* — James Thorn, Sr.

(30) **Foreign Application Priority Data**

(74) *Attorney, Agent, or Firm* — Ladas & Parry LLP

Sep. 19, 2014 (KR) ..... 30-2014-0045541

(51) **LOC (10) Cl.** ..... **06-04**

(52) **U.S. Cl.**  
USPC ..... **D6/691**

(58) **Field of Classification Search**  
USPC ..... D6/653.17, 654.17, 669, 699, 691,  
D6/707.22, 657, 654.13; 108/131  
CPC ..... A47B 3/00; A47B 3/0818; A47B 3/087;  
A47B 17/00; A47B 21/00  
See application file for complete search history.

(57) **CLAIM**

We the ornamental design for a counter table, as shown and described.

(56) **References Cited**

U.S. PATENT DOCUMENTS

3,857,622 A \* 12/1974 Mohr ..... A47B 17/00  
312/195  
3,920,298 A \* 11/1975 Lopez ..... A47B 17/03  
312/195  
4,326,760 A \* 4/1982 Ziegelheim ..... A47B 13/003  
108/131  
D414,628 S \* 10/1999 Gager ..... D6/671.1

**DESCRIPTION**

FIG. 1 is a front perspective view of counter table showing our new design;  
FIG. 2 is a front view thereof;  
FIG. 3 is a rear view thereof;  
FIG. 4 is a left-side view thereof;  
FIG. 5 is a right-side view thereof;  
FIG. 6 is a top plan view thereof;  
FIG. 7 is a bottom plan view thereof;  
FIG. 8 is a bottom perspective view thereof; and,  
FIG. 9 is another front perspective view of FIG. 1.  
The broken lines shown in the drawings are included for the purpose of illustrating environmental structure and form no part of the claimed design.

**1 Claim, 6 Drawing Sheets**

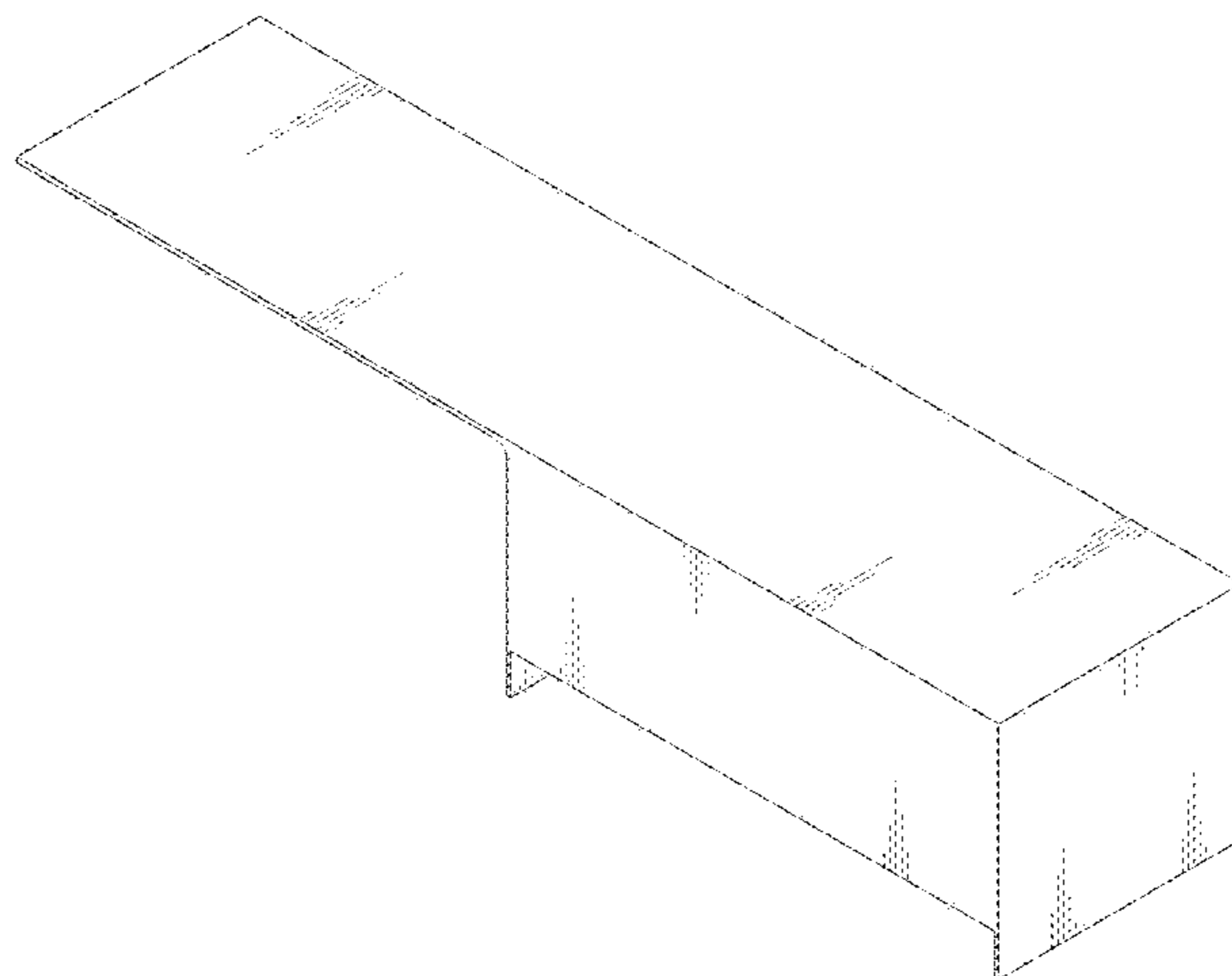


FIG. 1

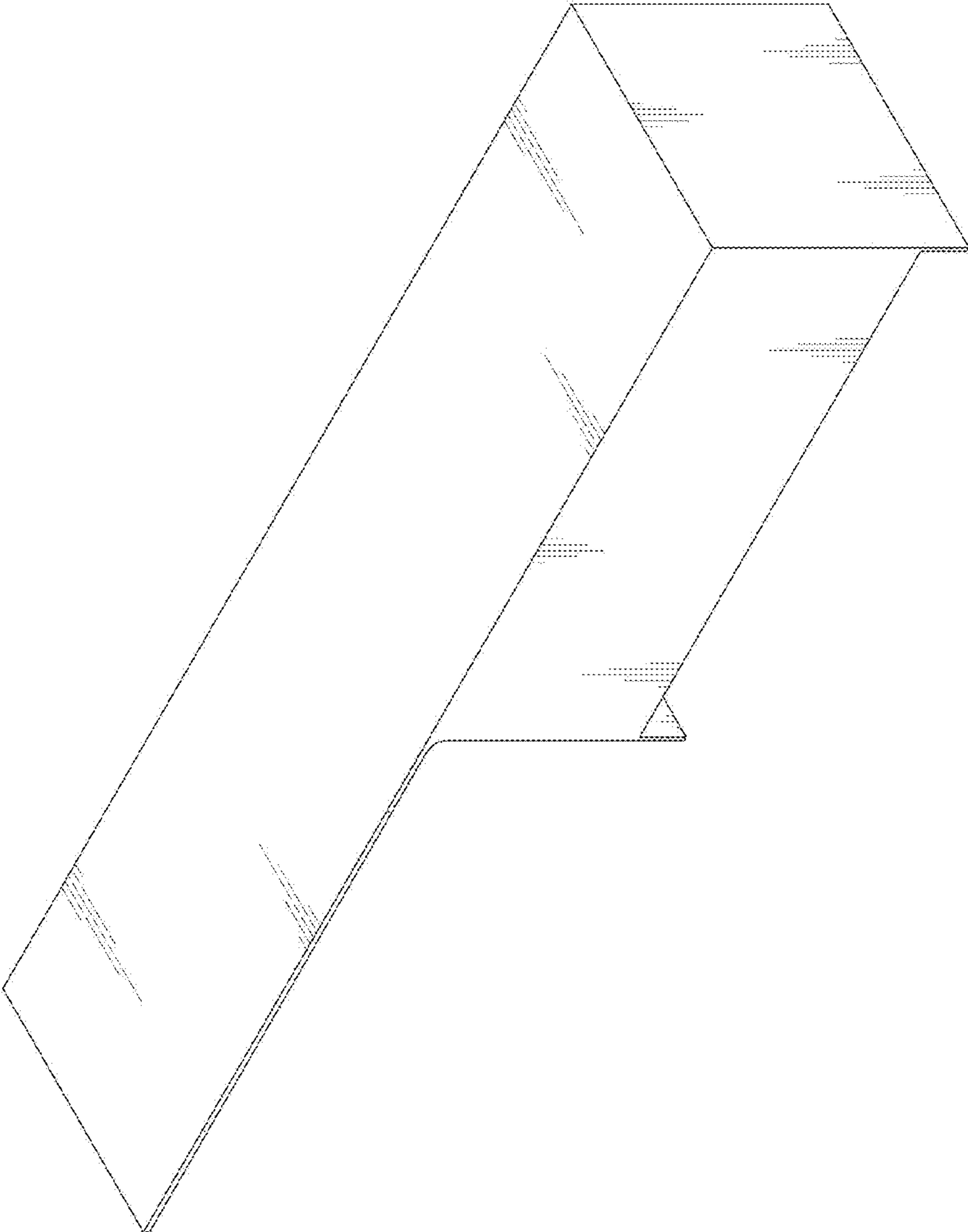


FIG. 2

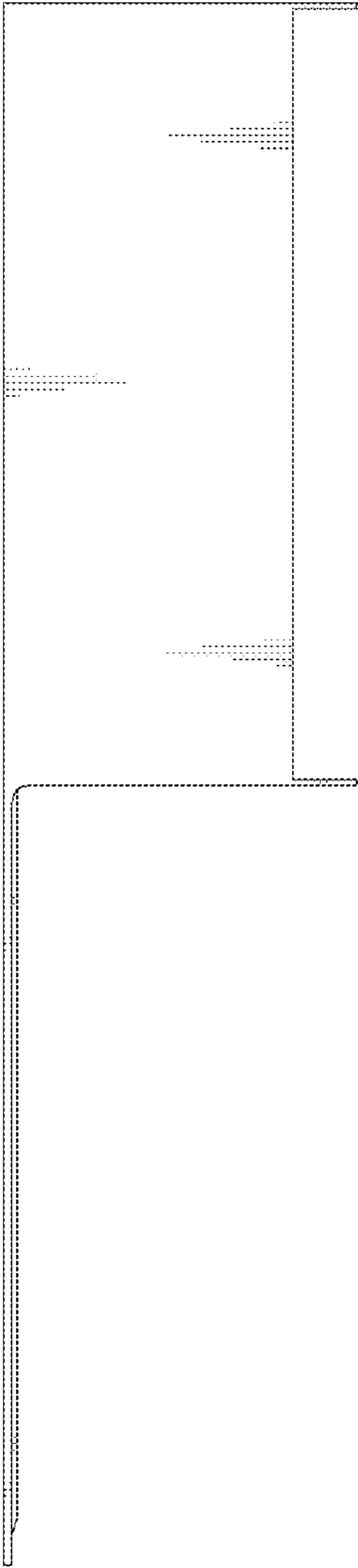


FIG. 3

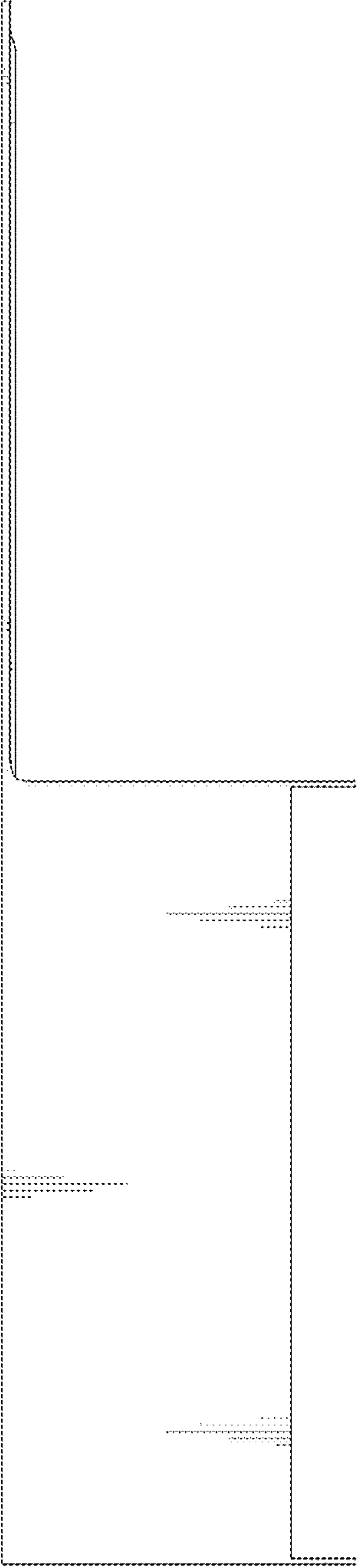


FIG. 4

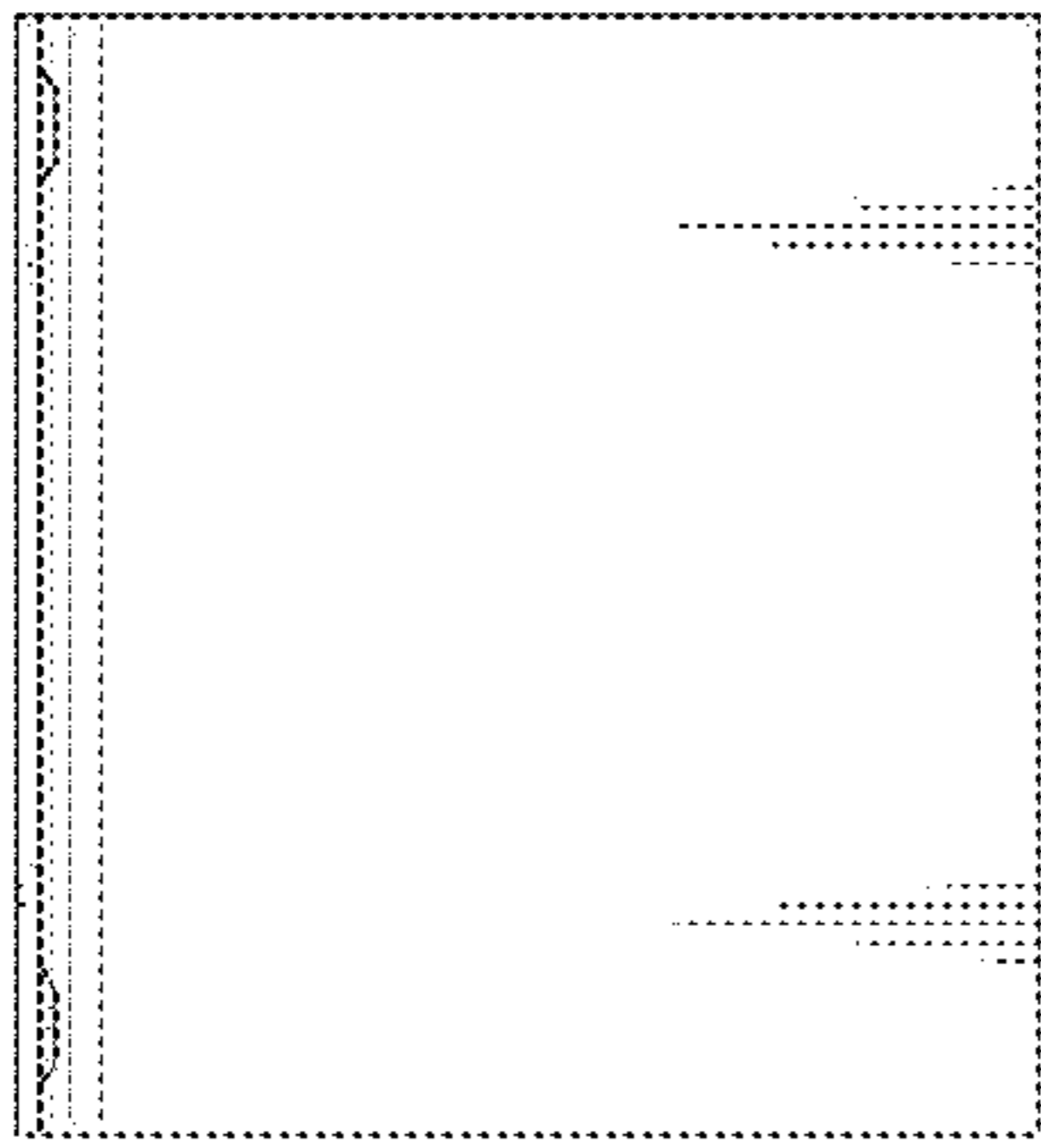


FIG. 5

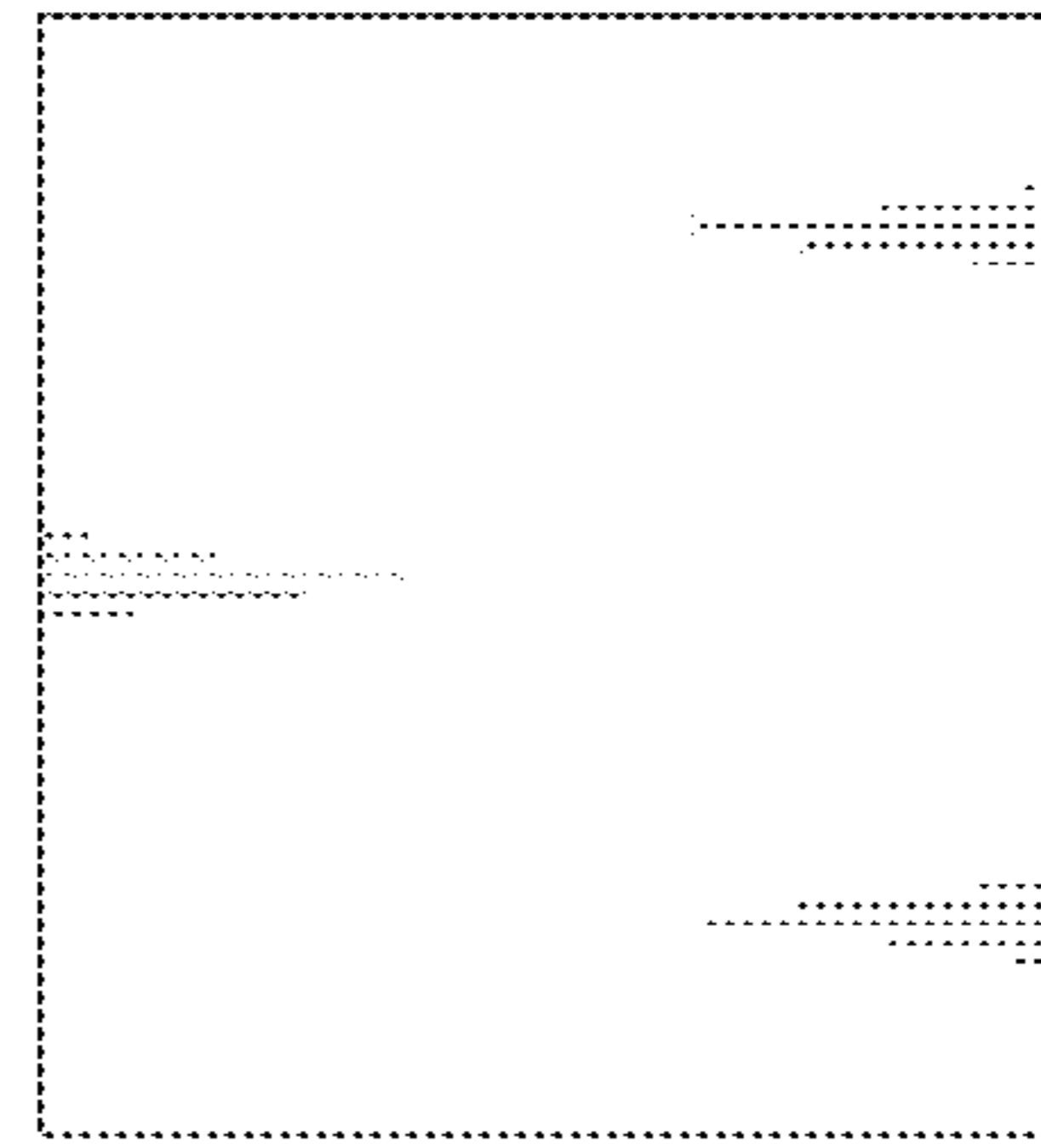


FIG. 6

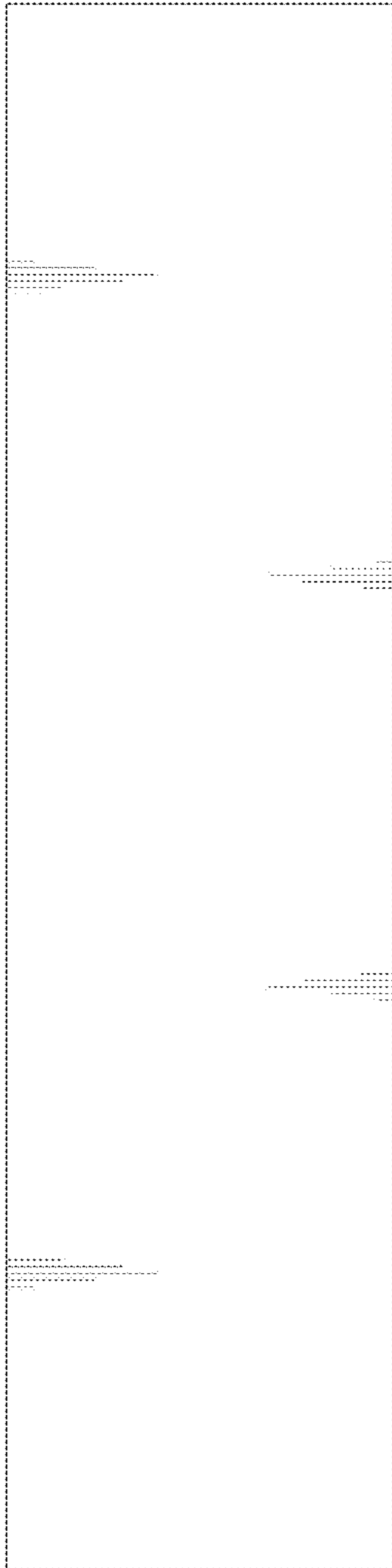


FIG. 7

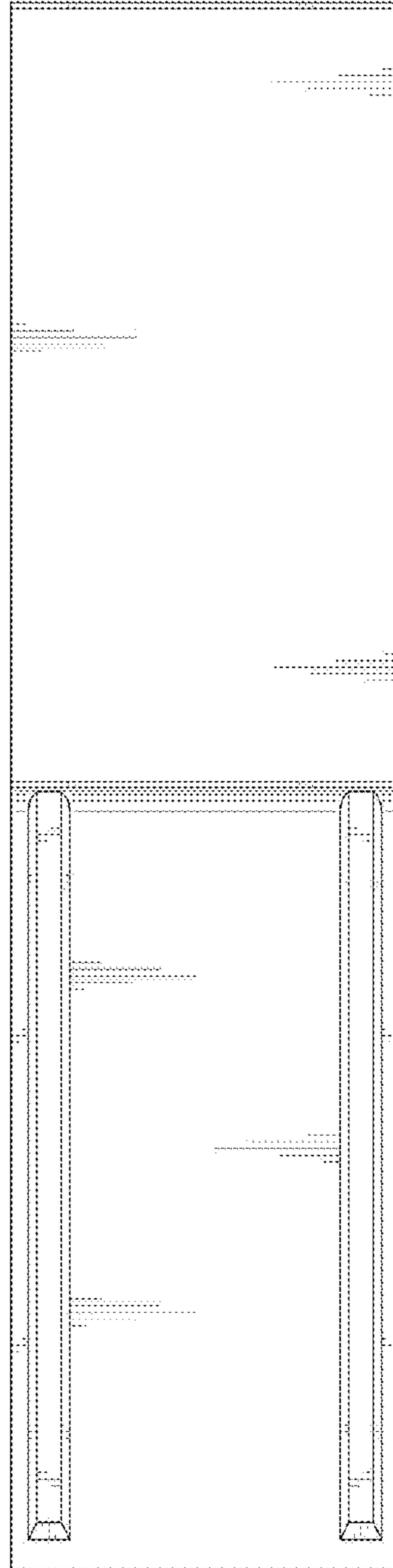


FIG. 8

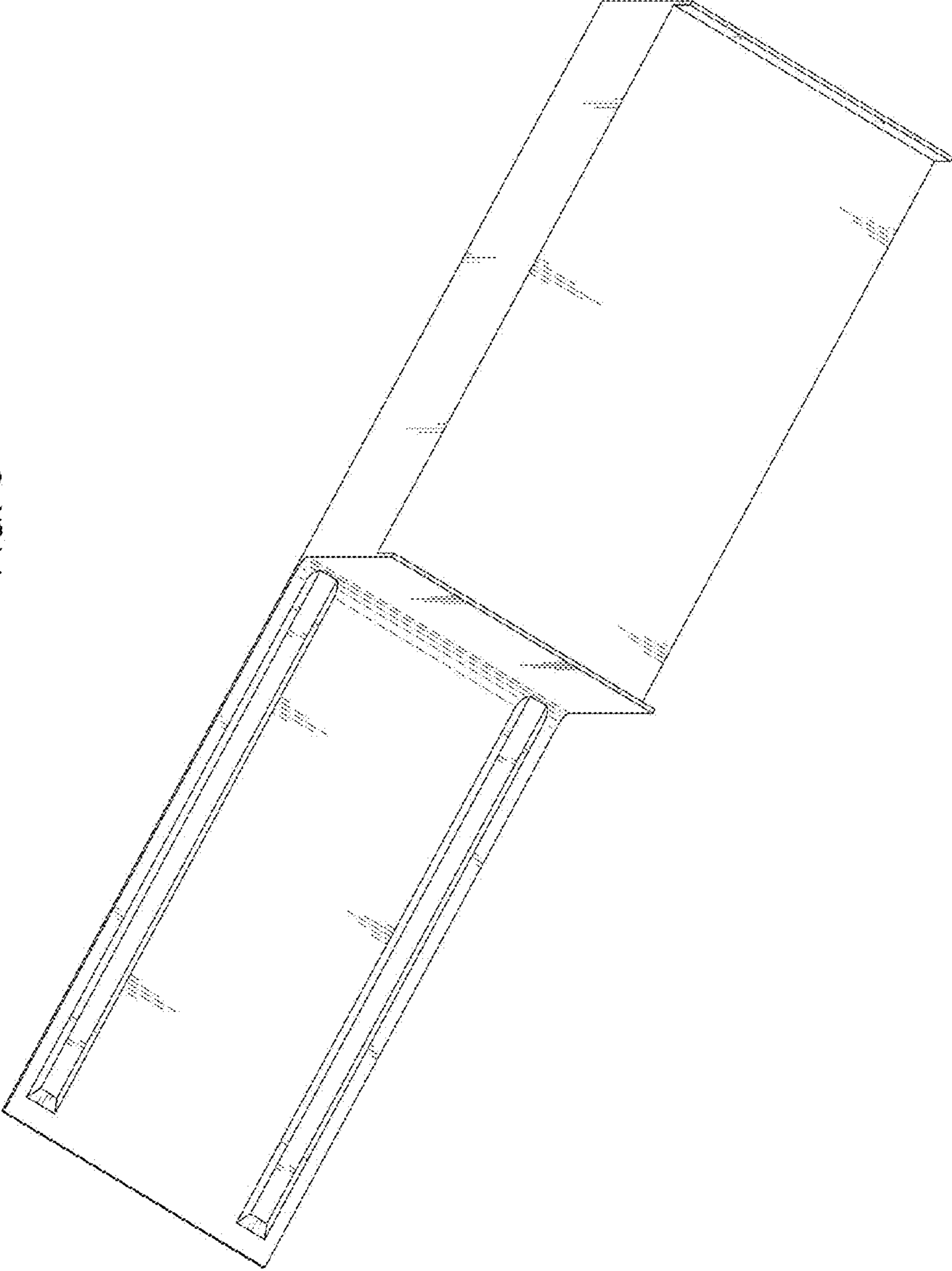


FIG. 9

