

US00D776469S

(12) **United States Design Patent** (10) **Patent No.:** **US D776,469 S**
Gasic (45) **Date of Patent:** **** Jan. 17, 2017**

(54) **TABLE**

(71) Applicant: **Mihajlo Gasic**, Chicago, IL (US)

(72) Inventor: **Mihajlo Gasic**, Chicago, IL (US)

(**) Term: **14 Years**

(21) Appl. No.: **29/519,486**

(22) Filed: **Mar. 5, 2015**

(51) **LOC (10) Cl.** **06-04**

(52) **U.S. Cl.**
USPC **D6/691**

(58) **Field of Classification Search**

USPC D6/691, 691.1; 108/57.29, 57.33
CPC A47B 3/02; A47B 3/00; A47B 3/0818;
A47B 3/087; A47B 2200/001; A47B
2200/11; A47B 13/02; A47B 13/04; A47B
13/06; A47B 7/00; A47B 91/005; A47B
17/00; A47B 21/00

See application file for complete search history.

(56) **References Cited**

U.S. PATENT DOCUMENTS

D546,589 S *	7/2007	Kreiss	D6/691.1
D554,395 S *	11/2007	Kreiss	D6/691.1
D565,328 S *	4/2008	Lowsky	D6/691.1
D598,675 S *	8/2009	Everson	D6/691.1
D621,183 S *	8/2010	Wang	D6/691.1
D718,558 S	12/2014	Chipman	
D739,670 S *	9/2015	Pedersen	D6/691.1
D743,720 S *	11/2015	Van Herp	D6/691.1
D749,345 S *	2/2016	Everson	D6/691.1
D749,346 S *	2/2016	Everson	D6/691.1

OTHER PUBLICATIONS

“Kare Groth Ring Side Table”, <http://www.urbanoutfitters.com/uk/catalog/productdetail.jsp?id=5520404400201#/>, published date

unknown but prior to the filing date of the present application, Urban Outfitters, United Kingdom.

KRRB, Coffee Table, “Tree Slice With Bark Coffee Table”, <http://www.houzz.com/photos/2834179/Tree-Slice-With-Bark-Coffee-Table-eclectic-side-tables-and-end-tables-other-metro>, published date unknown but prior to the filing date of the present application, houzz, United States of America.

MTH Woodworks, “Bloom Coffee Table Style No. 13”, http://www.woodindesign.com/shop/mth_woodworks/bloom_coffee_table_style_13, published date unknown but prior to the filing date of the present application, Wood Design, United States of America.

“XL table”, Miles & May Furniture Works, <http://miles-and-may.myshopify.com/collections/place/products/xl-table>, published date unknown but prior to the filing date of the present application, Miles & May Furniture Works, Geneva, New York, United States of America.

* cited by examiner

Primary Examiner — Robin V Webster

Assistant Examiner — James Thorn, Sr.

(57) **CLAIM**

The ornamental design for a table, as shown and described.

DESCRIPTION

FIG. 1 is a top, front, right perspective view of a table showing my new design;

FIG. 2 is a front view thereof;

FIG. 3 is a right side view thereof;

FIG. 4 is a rear view thereof;

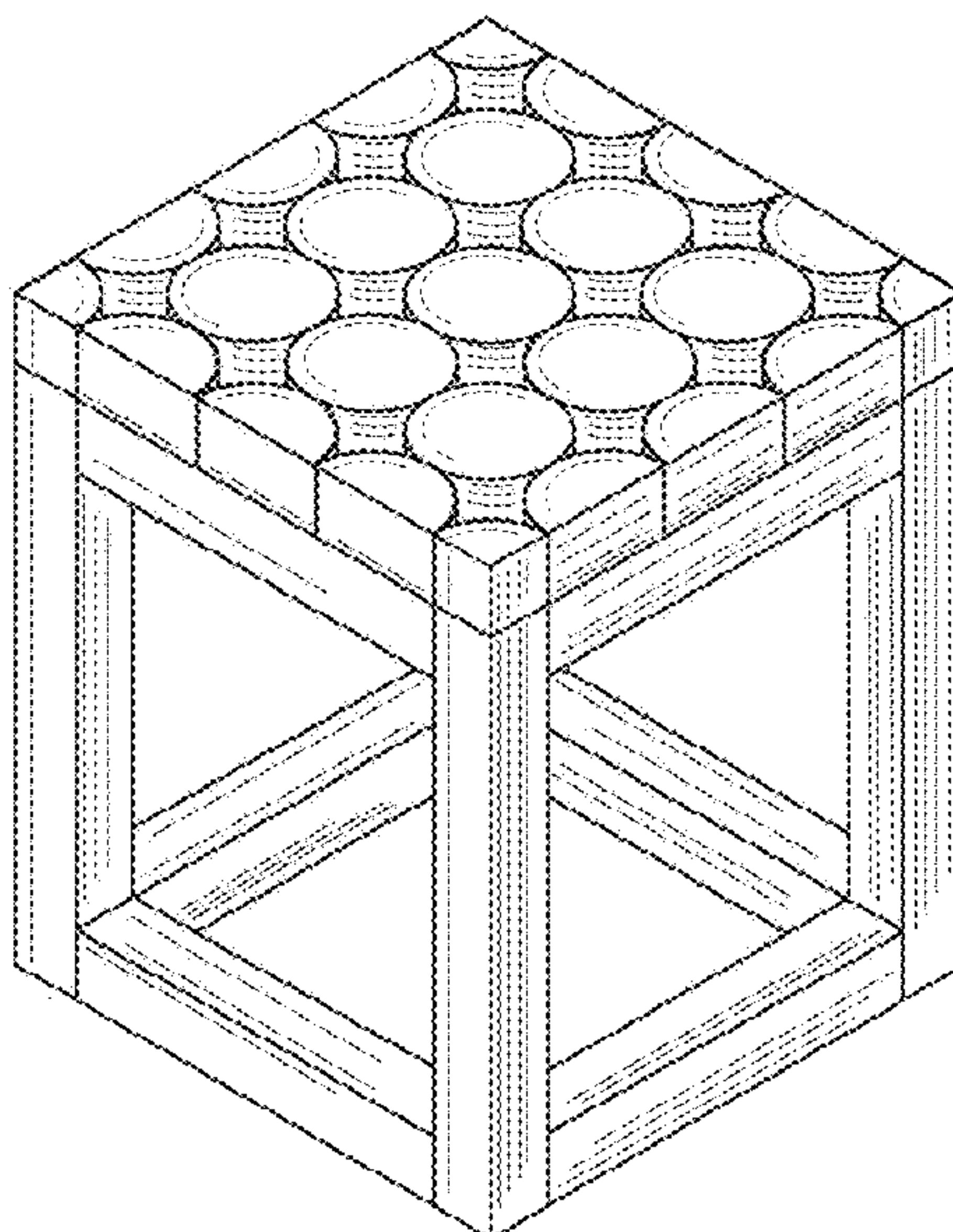
FIG. 5 is left side view thereof;

FIG. 6 is a top view thereof; and,

FIG. 7 is a bottom view thereof.

The broken lines in the drawings are for the purpose of illustrating unclaimed portions and form no part of the claimed design.

1 Claim, 7 Drawing Sheets



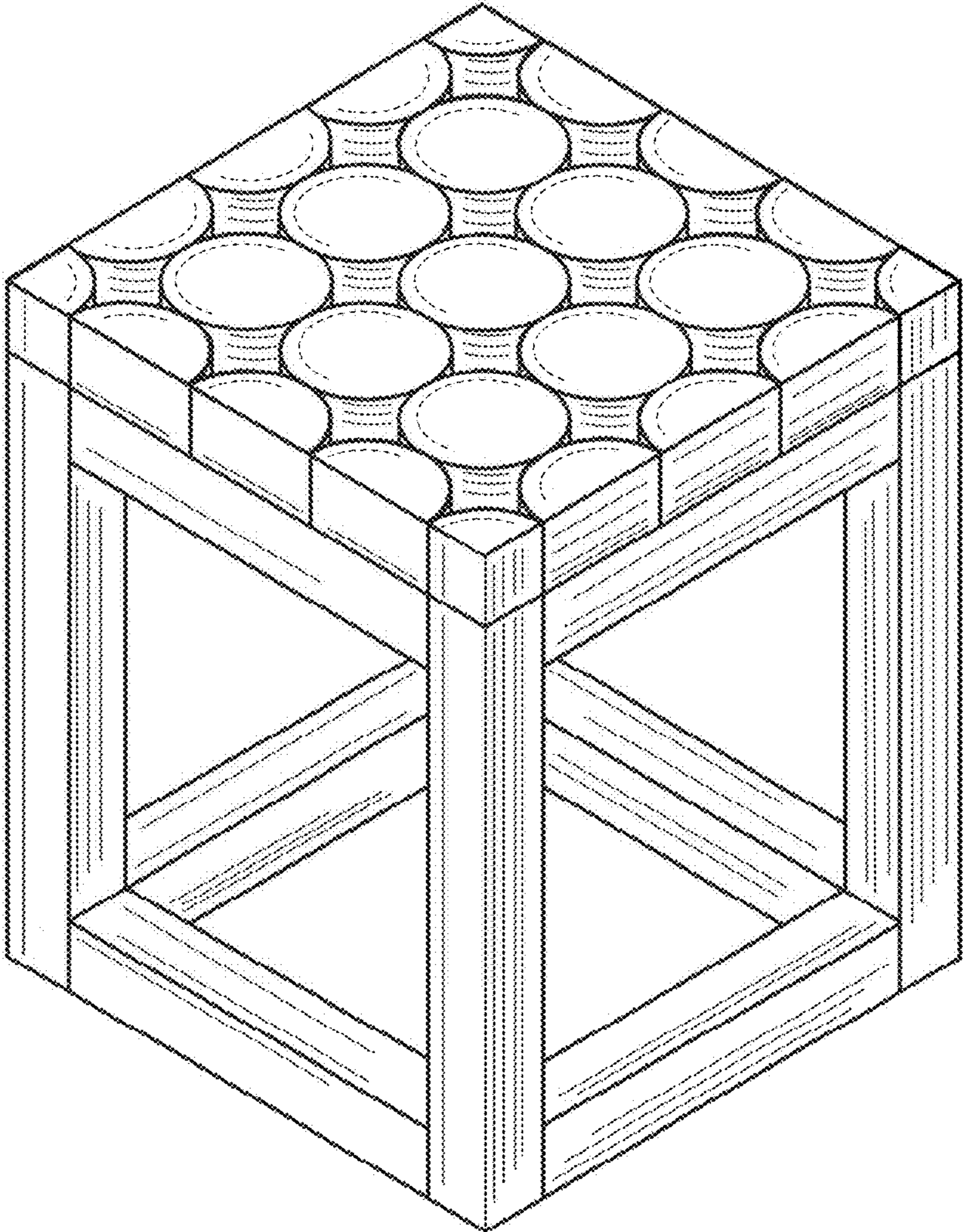


FIG. 1

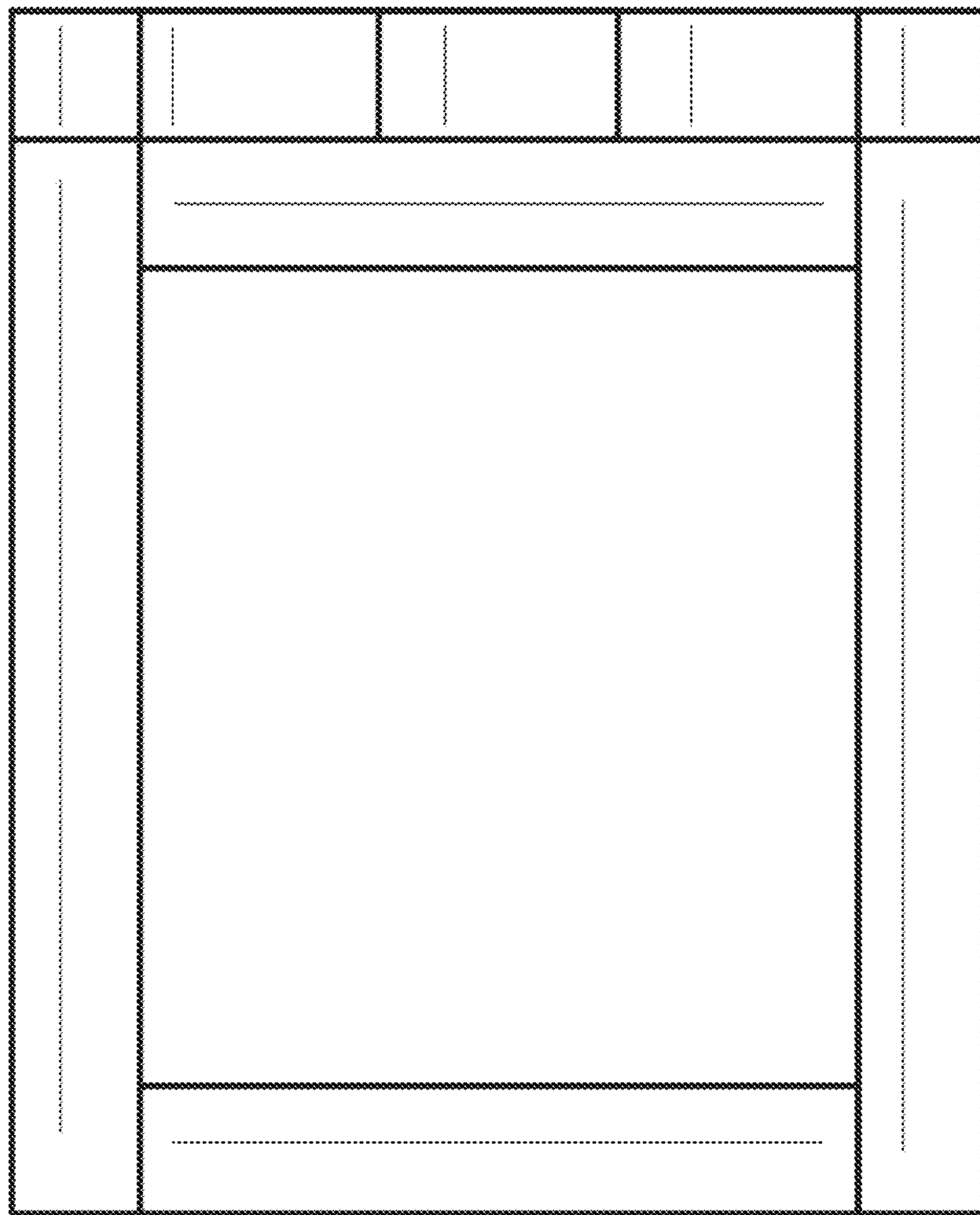


FIG. 2

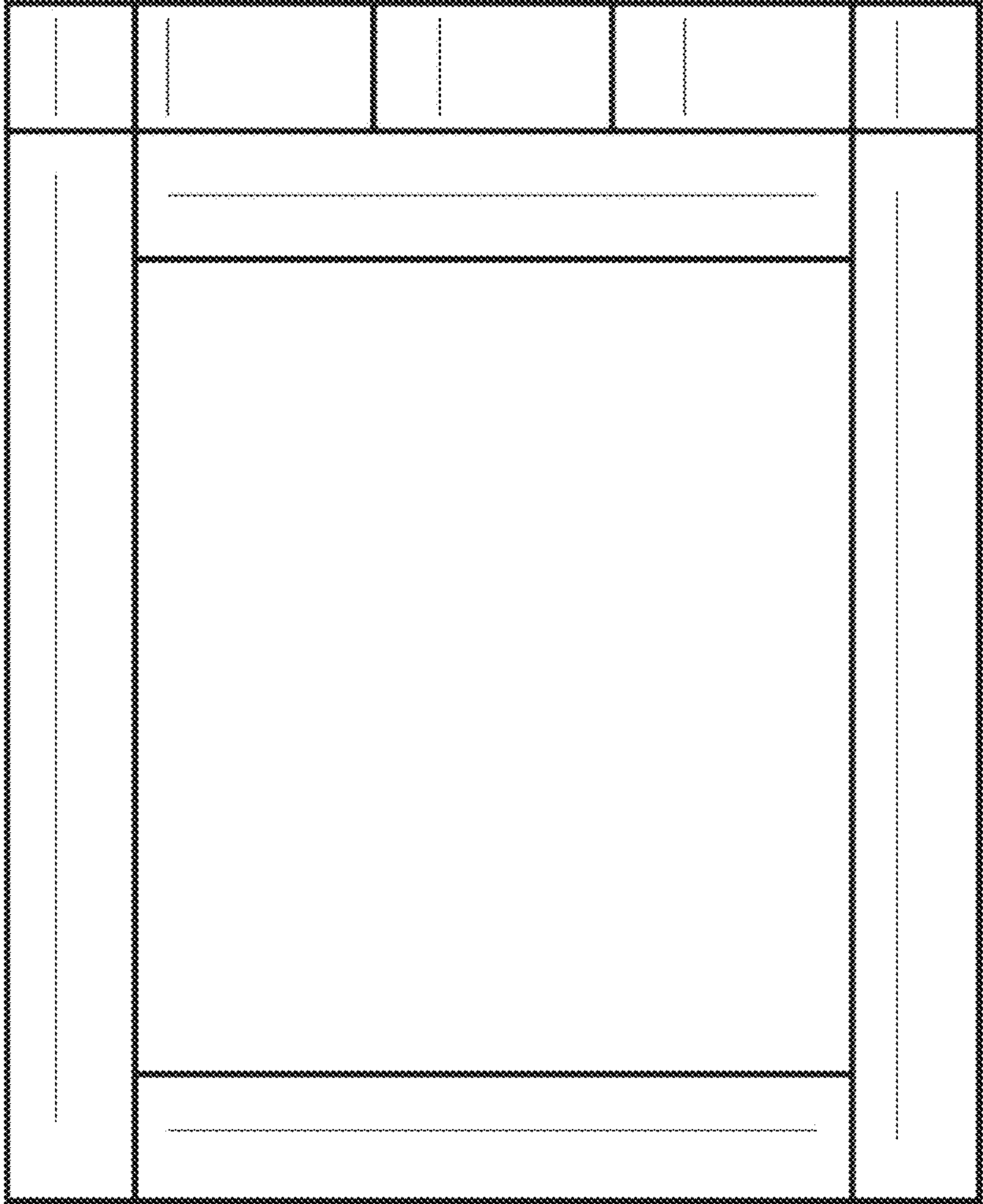


FIG. 3

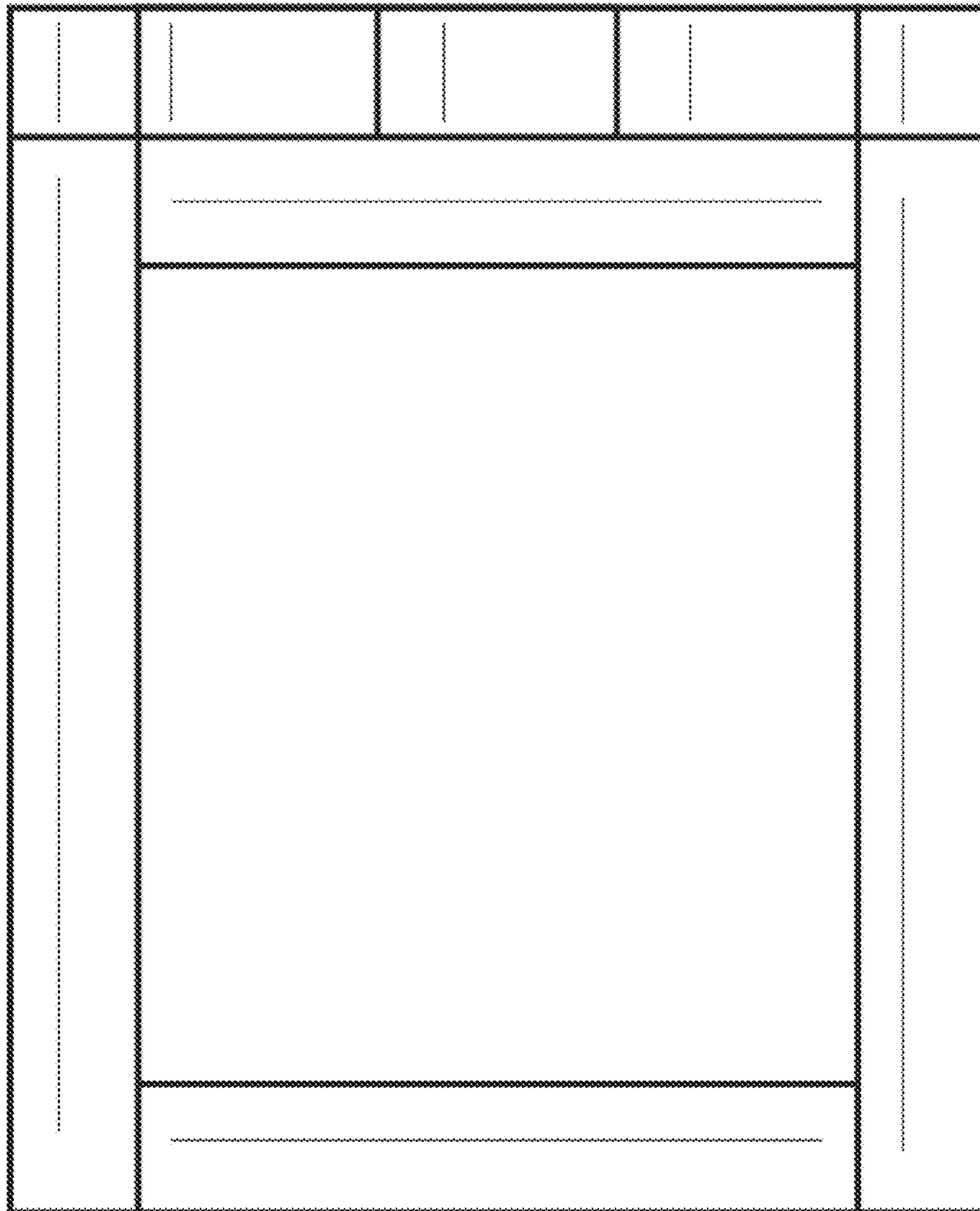


FIG. 4

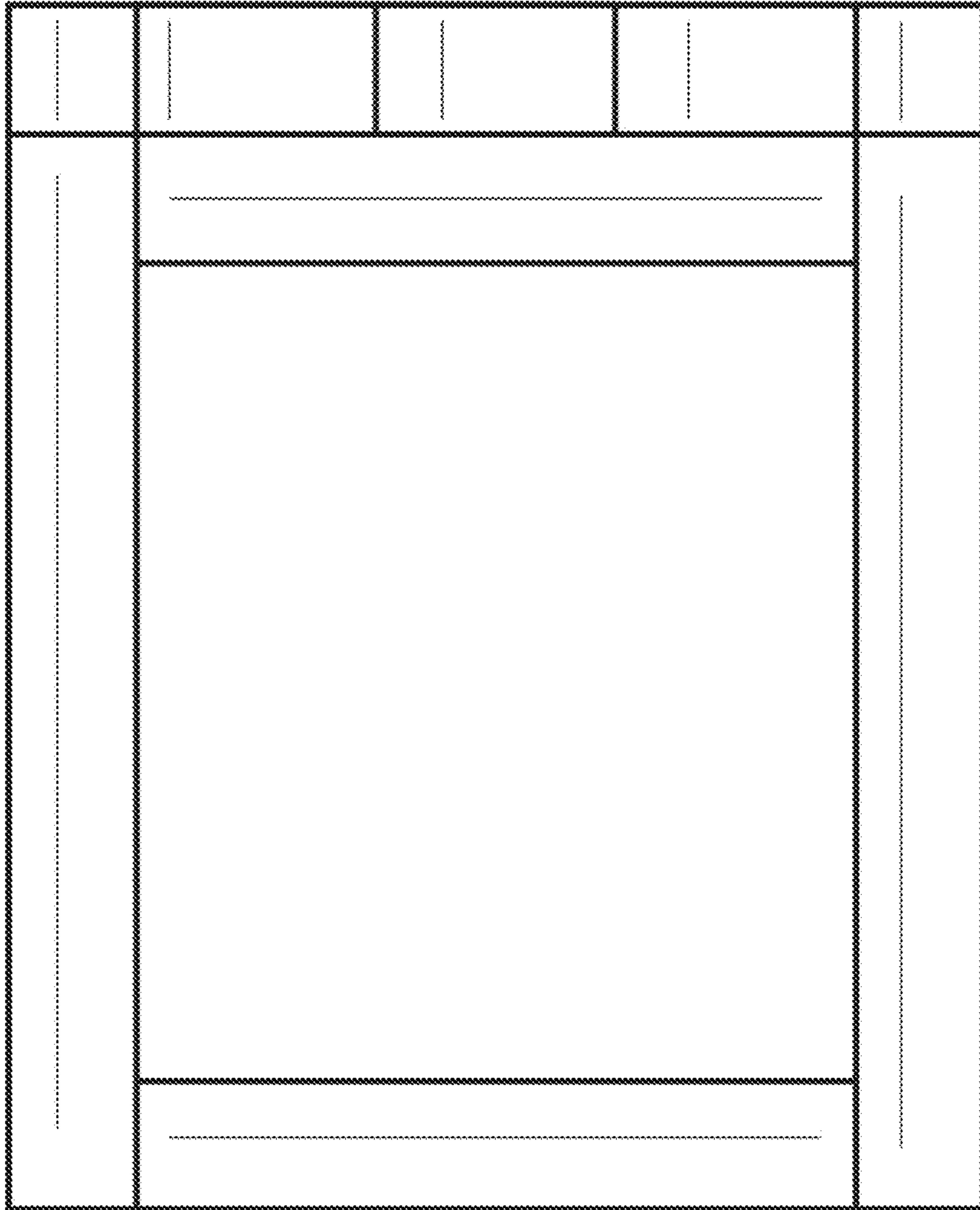


FIG. 5

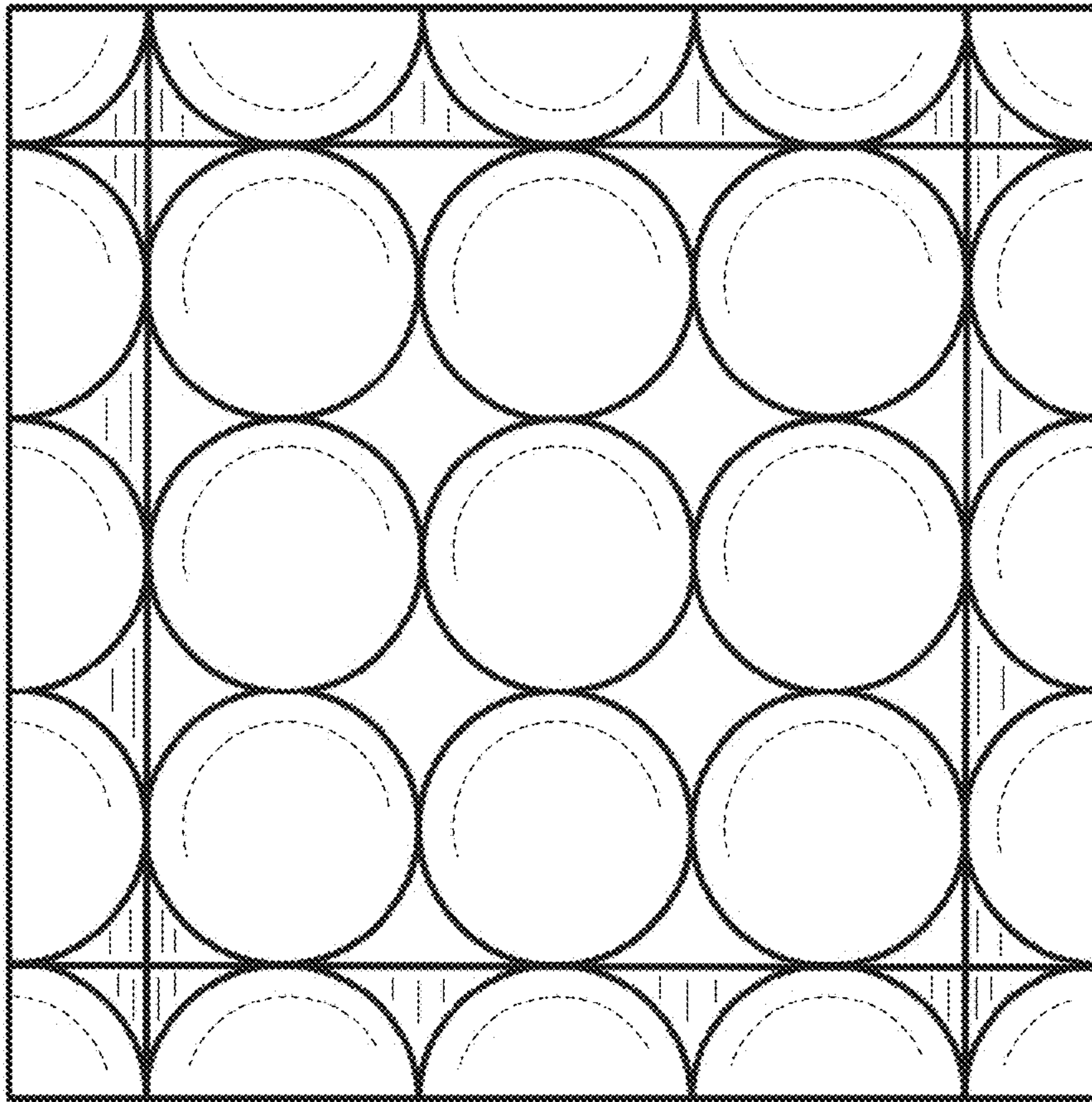


FIG. 6

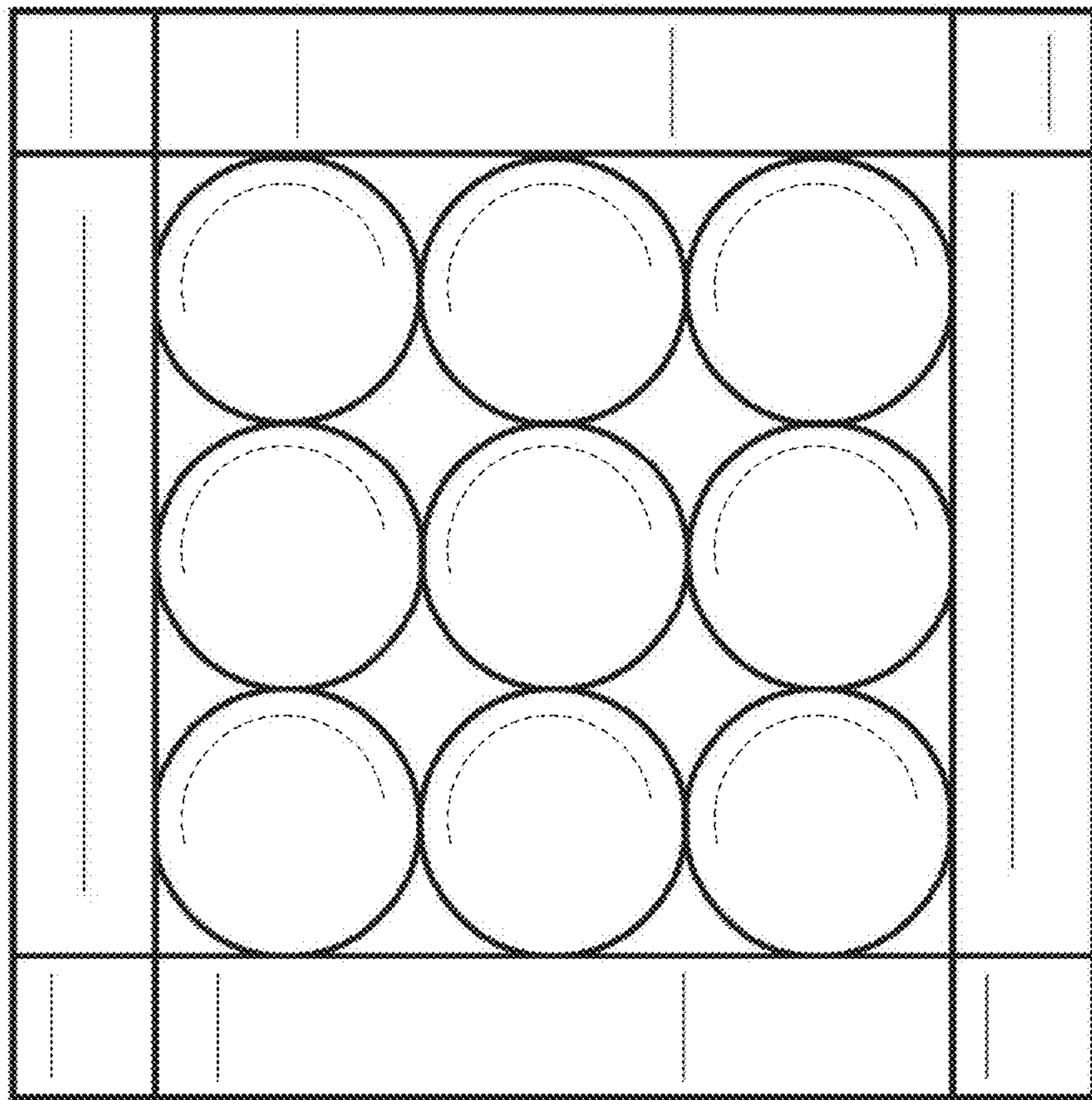


FIG. 7