



US00D776468S

(12) **United States Design Patent** (10) **Patent No.:** **US D776,468 S**
Plikat et al. (45) **Date of Patent:** **** Jan. 17, 2017**

(54) **PARTITION**

(71) Applicant: **Herman Miller, Inc.**, Zeeland, MI (US)

(72) Inventors: **Claudia Plikat**, Berlin (DE); **Johann Burkhard Schmitz**, Berlin (DE); **Carola Eva Marianne Zwick**, Berlin (DE); **Roland Rolf Otto Zwick**, Berlin (DE)

(73) Assignee: **Herman Miller, Inc.**, Zeeland, MI (US)

(**) Term: **15 Years**

(21) Appl. No.: **29/565,780**

(22) Filed: **May 24, 2016**

Related U.S. Application Data

(62) Division of application No. 29/535,894, filed on Aug. 11, 2015, now Pat. No. Des. 758,770, which is a division of application No. 29/514,626, filed on Jan. 14, 2015, now Pat. No. Des. 746,621, which is a division of application No. 29/480,152, filed on Jan. 23, 2014, now Pat. No. Des. 722,797, which is a division of application No. 29/453,127, filed on Apr. 25, 2013, now Pat. No. Des. 699,989, which is a division of application No. 29/426,751, filed on Jul. 10, 2012, now Pat. No. Des. 683,159, which is a division of application No. 29/379,704, filed on Nov. 23, 2010, now Pat. No. Des. 665,196.

(30) **Foreign Application Priority Data**

Jun. 12, 2010 (DE) 40 2010 003 174

(51) **LOC (10) Cl.** **06-04**

(52) **U.S. Cl.**
USPC **D6/682.4**

(58) **Field of Classification Search**

USPC D6/468, 680, 682.4, 675.3, 662.1, 338, D6/674, 646, 661.2, 680.2, 332, 664, 702, D6/310, 678.2, 407, 644, 571, 683.1, D6/719.2, 512; D25/138; D19/75, 78, 85, D19/90-91
CPC A47F 10/02; A47F 7/281; A47F 5/0018; A47B 21/06
See application file for complete search history.

(56) **References Cited**

U.S. PATENT DOCUMENTS

D53,058 S	3/1919	Weinberg
1,647,889 A	11/1927	Saunders
1,694,520 A	12/1928	Sturdavant
D82,098 S	9/1930	Marsh
D86,761 S	4/1932	Brooks
D98,297 S	1/1936	Earley
2,129,396 A	9/1938	Archer
D115,351 S	6/1939	Rask
D140,244 S	2/1945	Wemyss
D144,591 S	4/1946	Schutes
D157,082 S	1/1950	Patton
D161,333 S	12/1950	Gooken
D180,106 S	4/1957	Seifert

(Continued)

Primary Examiner — Robert Delehanty

(74) *Attorney, Agent, or Firm* — Michael Best & Friedrich LLP

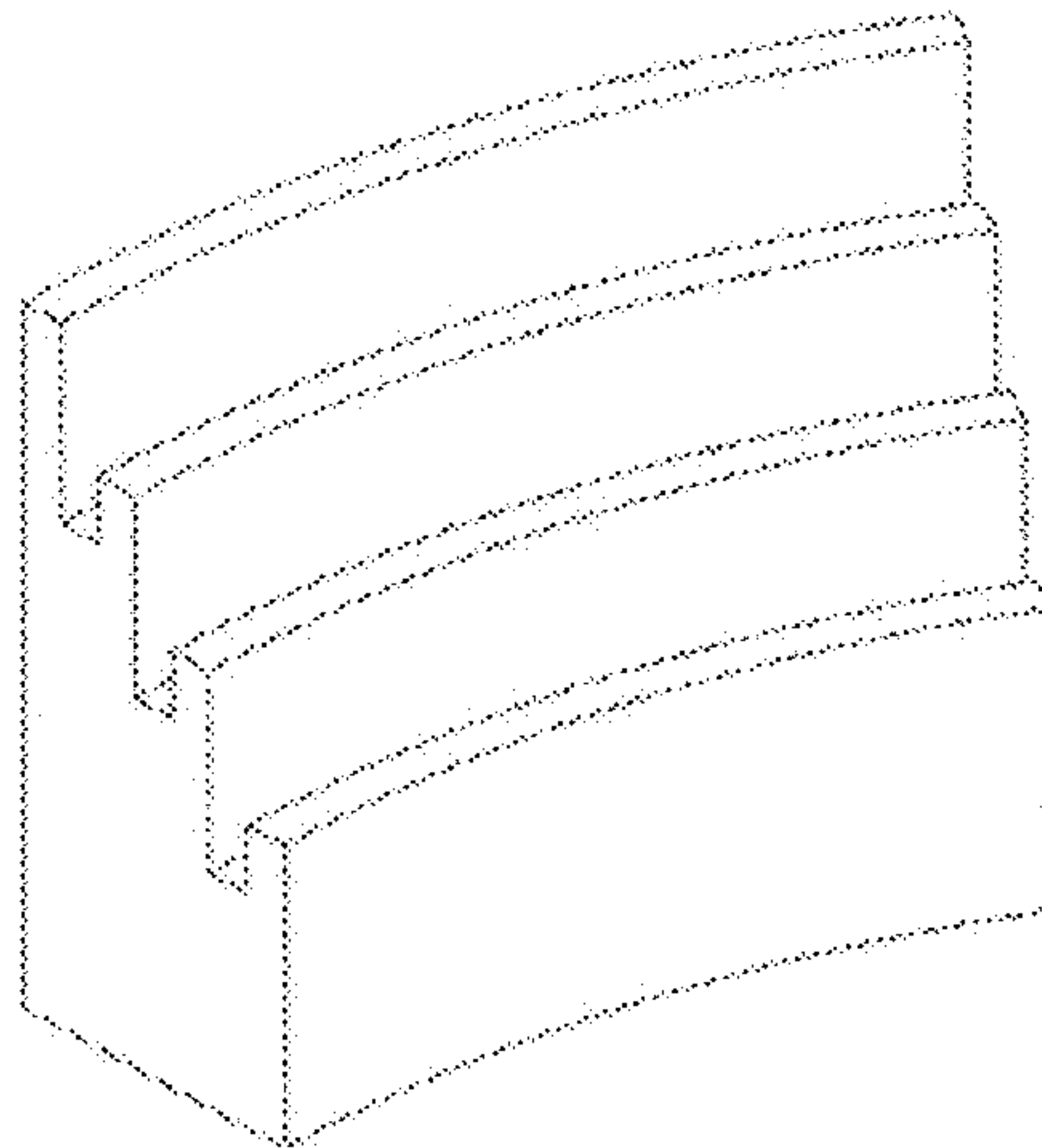
(57) **CLAIM**

The ornamental design for a partition, as shown and described.

DESCRIPTION

FIG. 1 is a perspective view of a partition;
FIG. 2 is a front view of the partition;
FIG. 3 is a rear view of the partition;
FIG. 4 is a left side view of the partition;
FIG. 5 is a right side view of the partition;
FIG. 6 is a top view of the partition;
FIG. 7 is a bottom view of the partition; and,
FIG. 8 is a second perspective view of the partition.

1 Claim, 2 Drawing Sheets



(56)

References Cited

U.S. PATENT DOCUMENTS

2,889,055 A	6/1959	Weller	5,857,742 A *	1/1999	Karl	A47C 1/124
D189,171 S	11/1960	Ensign				297/188.13
D189,245 S	11/1960	Hunting, Sr.	5,915,571 A *	6/1999	Czalkiewicz	A47F 7/145
3,171,543 A	3/1965	Nelson				211/128.1
D211,546 S	6/1968	Reibold	5,938,048 A *	8/1999	Carroll	A47F 7/145
D211,548 S	6/1968	Hayes				211/55
D212,267 S	9/1968	Dreyfuss	D415,580 S *	10/1999	Keating	D25/138
3,519,320 A	7/1970	Freedman	5,983,574 A *	11/1999	Holztrager	A47F 5/0846
3,811,728 A *	5/1974	Redemske				211/87.01
			6,052,958 A *	4/2000	Miedema	E04B 2/7437
						52/239
			6,105,796 A *	8/2000	Buchanan	A47F 5/116
						186/59
			6,138,583 A *	10/2000	Mahone	A47B 47/00
						108/108
D232,142 S *	7/1974	Spydovold	D435,181 S *	12/2000	Brozak, Jr.	D6/680
D233,579 S *	11/1974	Lindbo	D435,865 S *	1/2001	La Greca	D19/75
3,871,435 A *	3/1975	Lopatka	6,427,853 B2 *	8/2002	Brozak, Jr.	A47F 1/12
						211/128.1
			6,460,470 B1 *	10/2002	Scharer	A47B 57/54
						108/153.1
D240,098 S *	6/1976	Juhlin	D492,964 S *	7/2004	Kuehl	D19/75
D246,323 S *	11/1977	Kirk	D494,776 S *	8/2004	Metz	D6/680.2
D253,152 S *	10/1979	Berlic	6,851,226 B2 *	2/2005	MacGregor	A47B 83/001
4,203,239 A *	5/1980	Williams				52/220.7
			6,929,131 B1 *	8/2005	Landi	A47F 5/0846
						211/87.01
4,325,597 A *	4/1982	Morrison	D520,263 S *	5/2006	Nobles	D6/332
			7,051,482 B2 *	5/2006	MacDonald	E04B 2/7425
						160/135
D265,701 S *	8/1982	Colquhoun	D526,819 S *	8/2006	Lee	D6/683.1
D266,210 S *	9/1982	Hannecke	D527,207 S *	8/2006	Lee	D6/683.1
D272,834 S *	2/1984	Moore	7,213,885 B2 *	5/2007	White, III	A47C 13/005
4,460,097 A *	7/1984	Darnell, II				248/188
			D551,002 S *	9/2007	Snell	D6/525
			D559,564 S *	1/2008	Bakker	D6/332
4,534,473 A *	8/1985	Post	7,347,493 B2 *	3/2008	Mulmed	A47B 87/007
						297/233
			D571,577 S *	6/2008	Van Es	D6/678.2
D281,209 S *	11/1985	Burns	D572,042 S *	7/2008	Suzuki	D6/675
4,579,399 A *	4/1986	Poltash	D572,043 S *	7/2008	Suzuki	D6/682
			D575,556 S *	8/2008	Rohkar, Jr.	D6/682
			D590,635 S *	4/2009	Beckerman	D6/683.1
D299,990 S *	2/1989	Everett	D591,987 S *	5/2009	Thompson	D6/719.2
D300,489 S *	4/1989	Antonellis	7,540,115 B2 *	6/2009	Metcalf	A47B 46/005
D301,189 S *	5/1989	Wallace				52/243
4,876,835 A *	10/1989	Kelley	D605,425 S *	12/2009	Kelly	D6/678
			D605,876 S *	12/2009	Linder	D6/683.1
			D611,270 S *	3/2010	Castillo Higareda	D6/705
4,925,038 A *	5/1990	Gajewski	D613,079 S *	4/2010	Tsuchiyama	D6/332
			D613,080 S *	4/2010	Tsuchiyama	D6/332
			D613,966 S *	4/2010	Staw	D6/683.1
5,016,405 A *	5/1991	Lee	7,720,136 B2 *	5/2010	Friedman	H04L 1/0002
						375/220
			D622,077 S *	8/2010	Nash	D6/512
D319,361 S *	8/1991	Moser	7,775,379 B2 *	8/2010	Hodge	A47F 5/0846
D327,385 S *	6/1992	Allen				100/108
D334,306 S *	3/1993	Breen	D624,334 S *	9/2010	Linder	D6/683.1
5,287,666 A *	2/1994	Frascaroli	D625,528 S *	10/2010	Sprague	D6/681
			D629,228 S *	12/2010	Allman	D6/680
			D642,814 S *	8/2011	Pensi	D25/138
5,392,575 A *	2/1995	Hoffman				
D358,067 S *	5/1995	Graves				
5,423,597 A *	6/1995	Rogers				
D368,388 S *	4/1996	Schainholz				
5,553,934 A *	9/1996	Wells				
5,715,633 A *	2/1998	Raz				
D395,367 S *	6/1998	DePottay				
D397,561 S *	9/1998	DePottay				
5,836,112 A *	11/1998	Lindale				

* cited by examiner

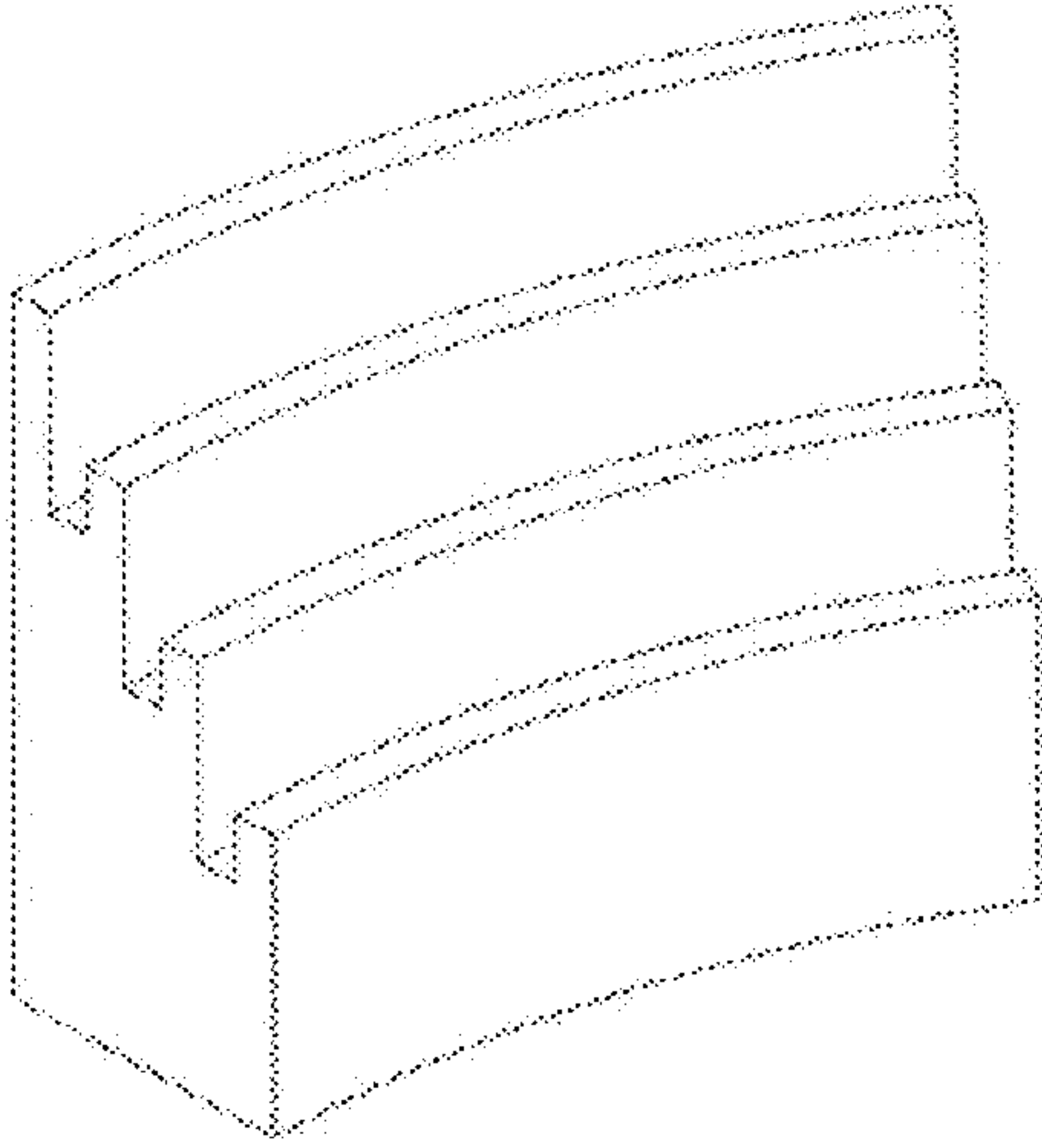


FIG. 1

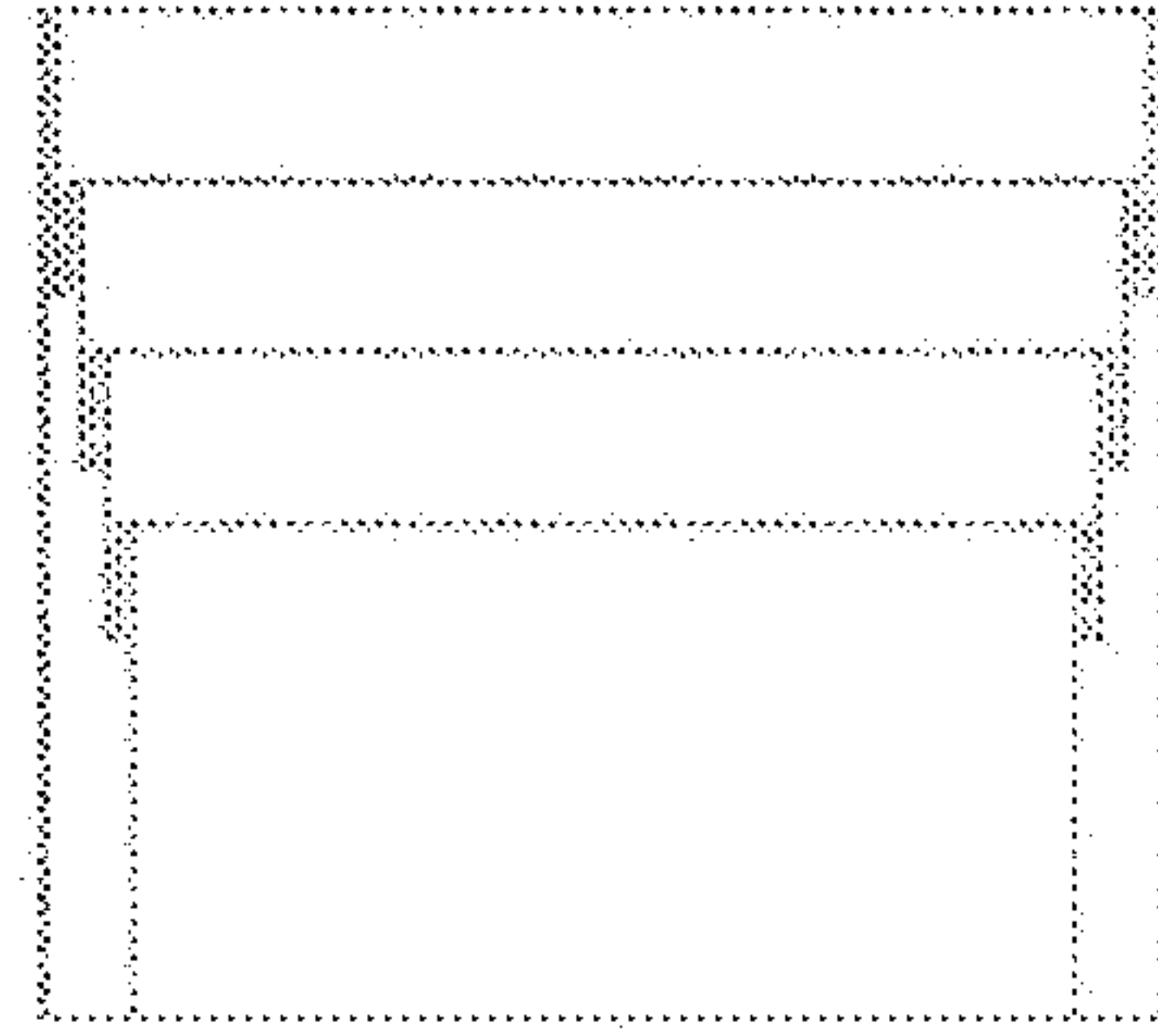


FIG. 2



FIG. 3

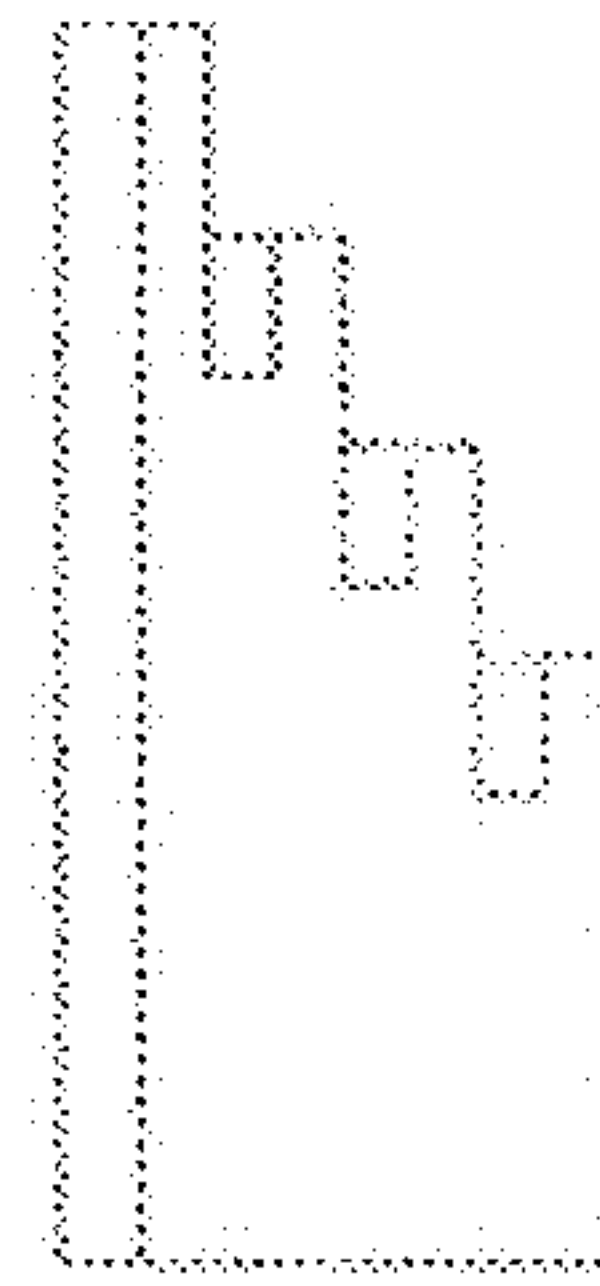


FIG. 4

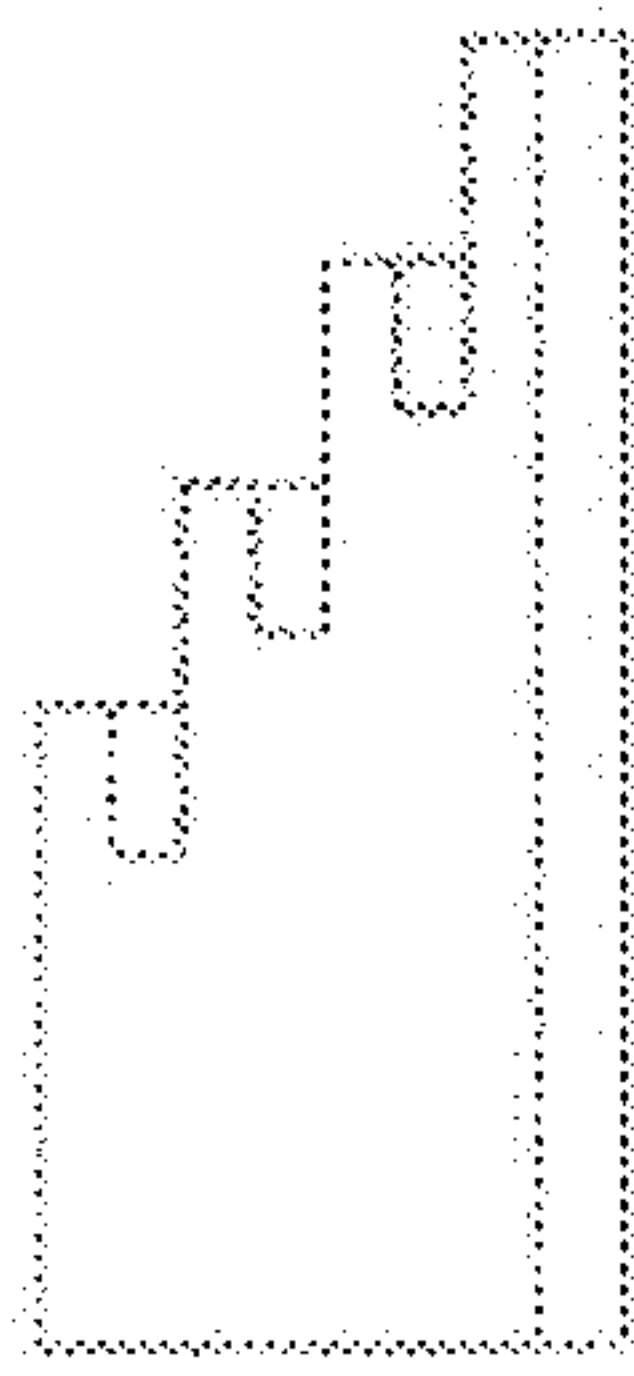


FIG. 5

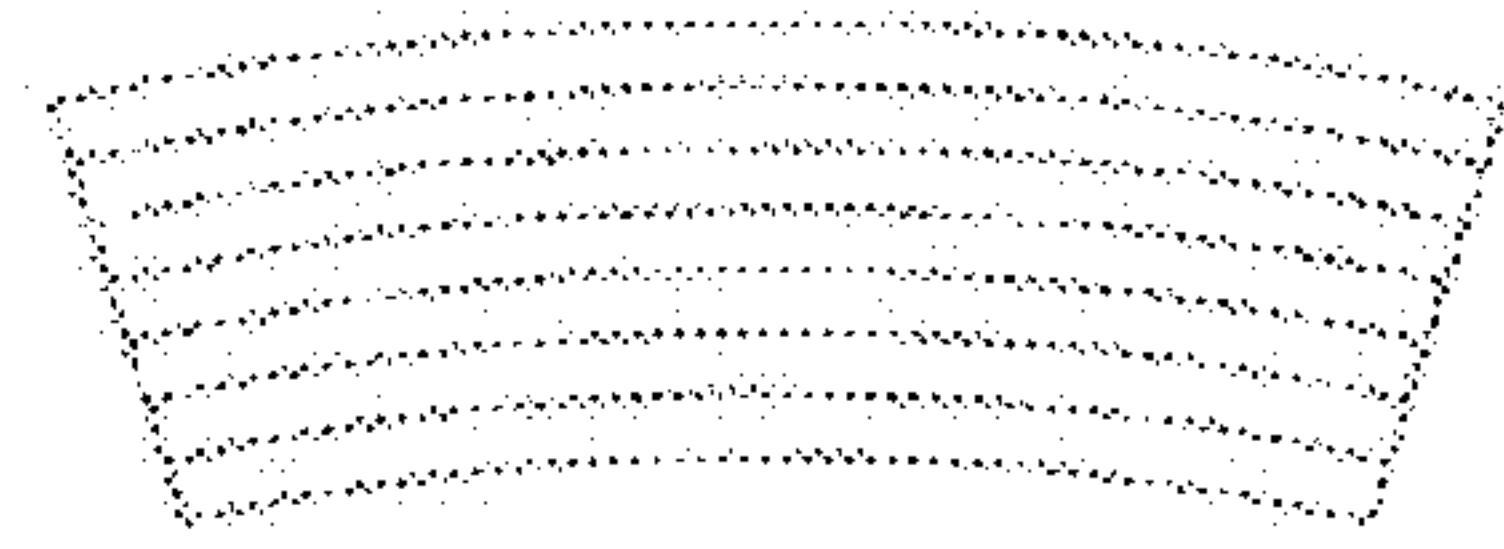


FIG. 6

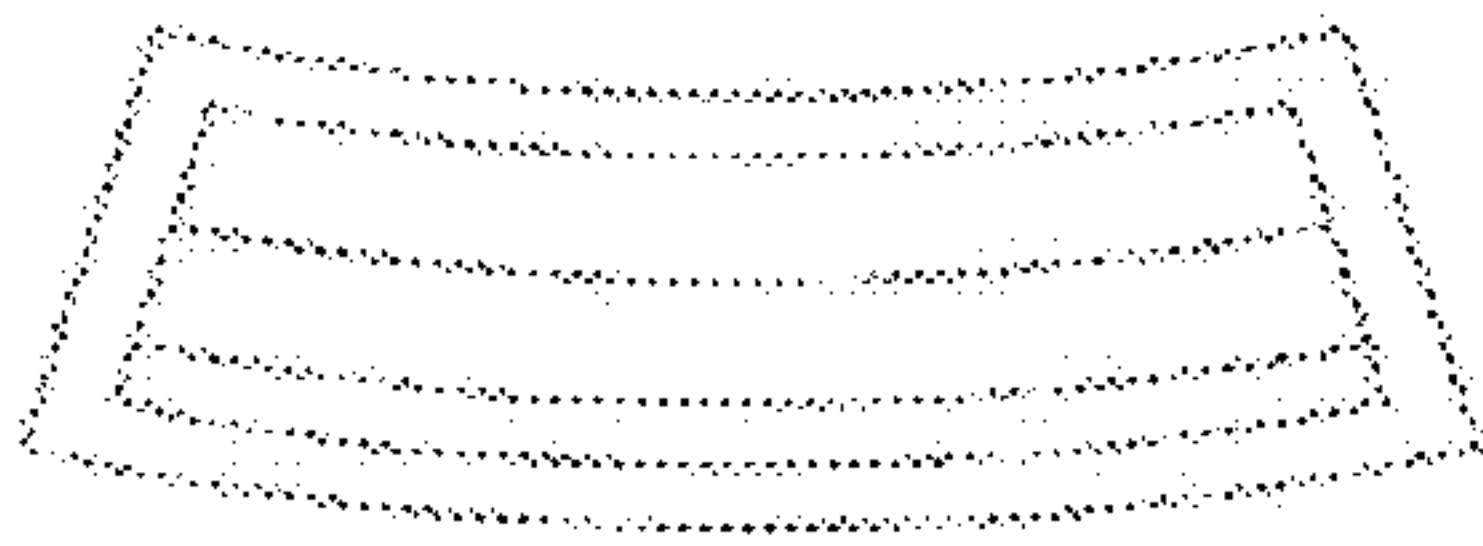


FIG. 7

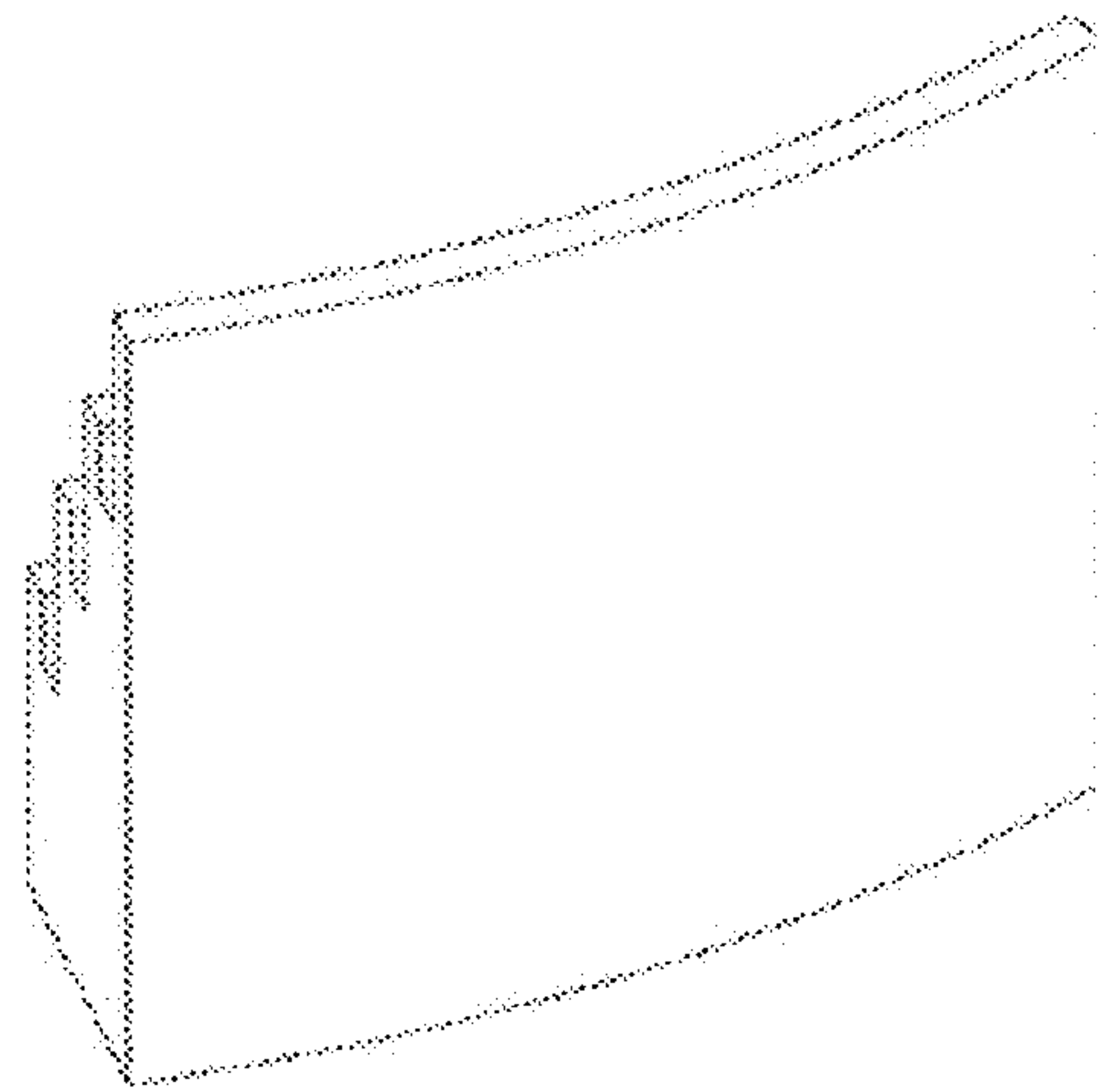


FIG. 8