



US00D776467S

(12) **United States Design Patent** (10) **Patent No.:** **US D776,467 S**
Snider (45) **Date of Patent:** **** Jan. 17, 2017**

(54) **DRAWER ASSEMBLY**
(71) Applicant: **MSA Products, Inc.**, Nyack, NY (US)
(72) Inventor: **Martin Snider**, New City, NY (US)
(73) Assignee: **MSA PRODUCTS, INC.**, Nyack, NY (US)
(**) Term: **14 Years**

D675,849 S * 2/2013 Tawil D6/705.6
D675,850 S * 2/2013 Tawil D6/705.6
D692,666 S * 11/2013 Goodman D3/304
D721,904 S * 2/2015 Tsai D6/675.5
D734,914 S * 7/2015 Tsai D34/21
D736,014 S * 8/2015 Tsai D6/675.2
D746,592 S * 1/2016 Goodman D3/306
D761,043 S * 7/2016 Snider D6/675.2
2006/0032829 A1 * 2/2006 Hutzler A47B 13/02
211/187
2010/0288717 A1 * 11/2010 Morandi A47B 43/00
211/187

(21) Appl. No.: **29/519,032**
(22) Filed: **Mar. 2, 2015**
(51) **LOC (10) Cl.** **06-06**
(52) **U.S. Cl.**
USPC **D6/675.5**
(58) **Field of Classification Search**
USPC D6/672, 675, 675.1, 675.2, 683, 683.1;
D3/304, 306, 308, 313, 314, 315
CPC . A47B 47/021; A47B 81/002; A45F 2200/05;
A45F 3/00
See application file for complete search history.

* cited by examiner

Primary Examiner — Kelley Donnelly
(74) *Attorney, Agent, or Firm* — Gerald E. Hespos;
Michael J. Porco; Matthew T. Hespos

(57) **CLAIM**

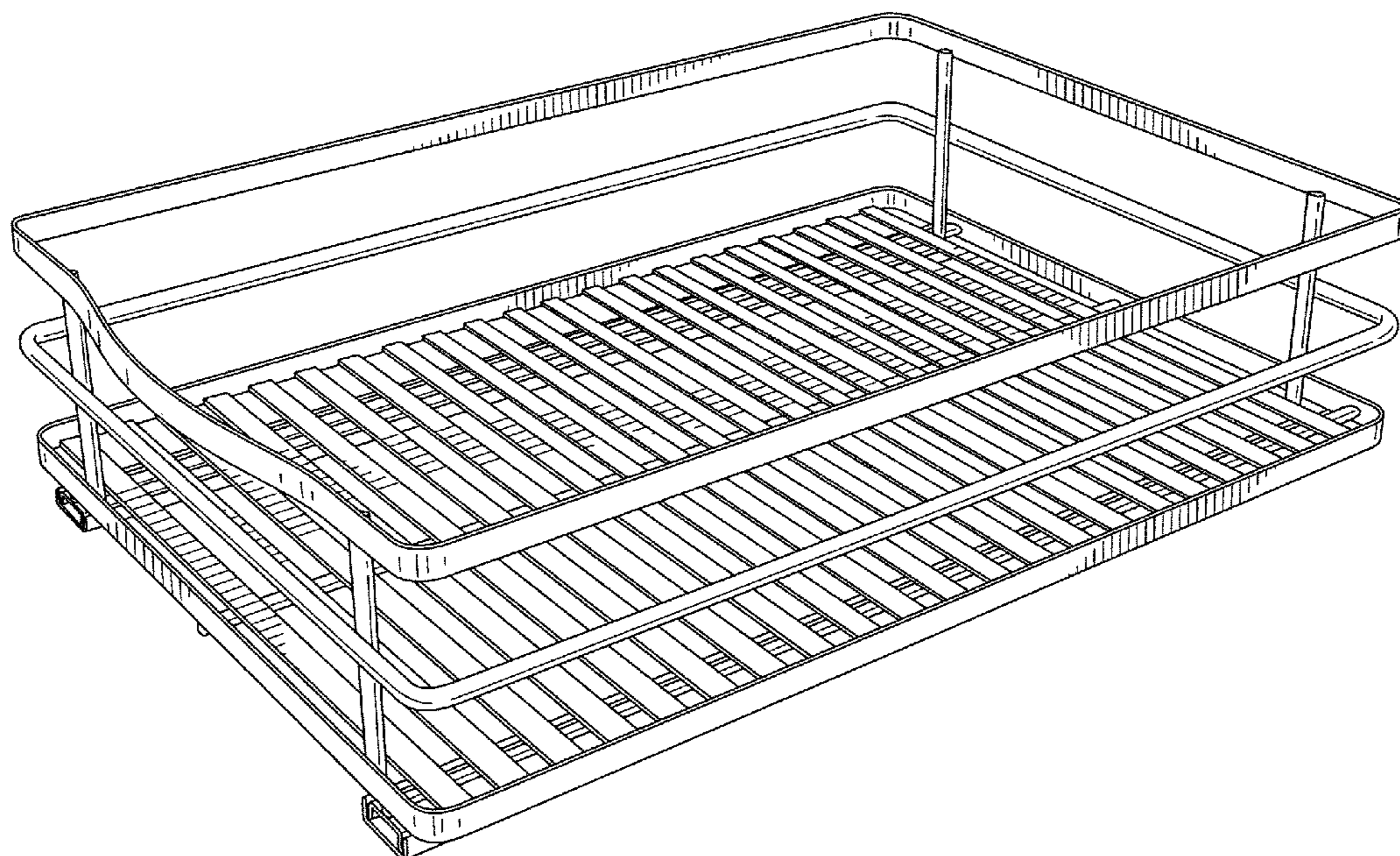
The ornamental design for a drawer assembly, as shown and described.

DESCRIPTION

FIG. 1 is a perspective view of a drawer assembly in accordance with my design;
FIG. 2 is a top plan view thereof;
FIG. 3 is a bottom plan view thereof;
FIG. 4 is a front elevational view thereof;
FIG. 5 is a rear elevational view thereof;
FIG. 6 is a side elevational view thereof as viewed from the left side of FIG. 1; and,
FIG. 7 is a side elevational view thereof as viewed from the right side of FIG. 1.

(56) **References Cited**
U.S. PATENT DOCUMENTS
D115,255 S * 6/1939 Taylor D6/566
D207,437 S * 4/1967 Oliver D6/675.2
4,705,178 A * 11/1987 Vail, Sr. A47F 5/01
206/513
D324,787 S * 3/1992 Evans 211/126.9
D348,760 S * 7/1994 Linder D3/306
D526,454 S * 8/2006 Plikuhn D3/306
D608,112 S * 1/2010 Eilmus D6/675.5

1 Claim, 6 Drawing Sheets



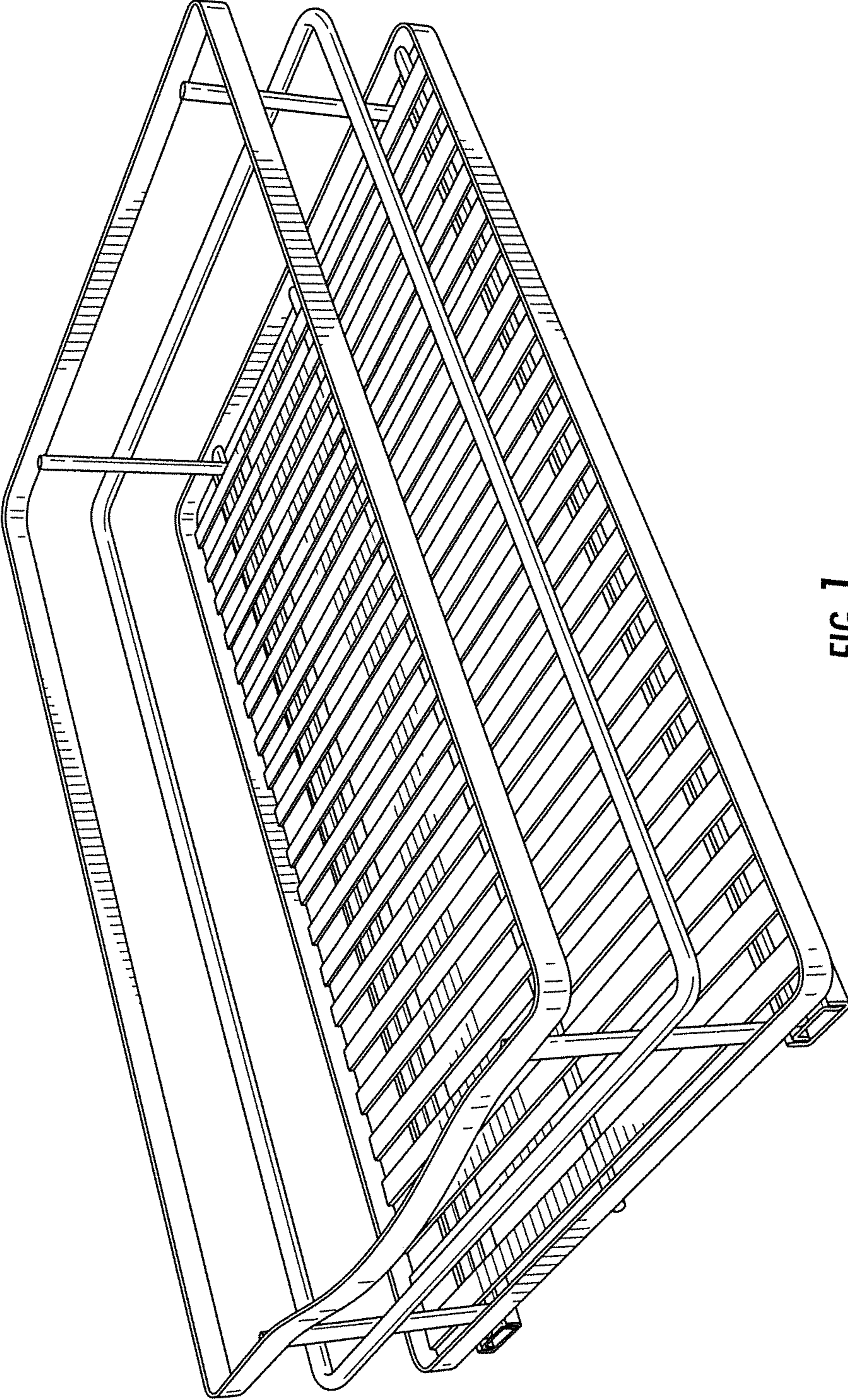


FIG. 1

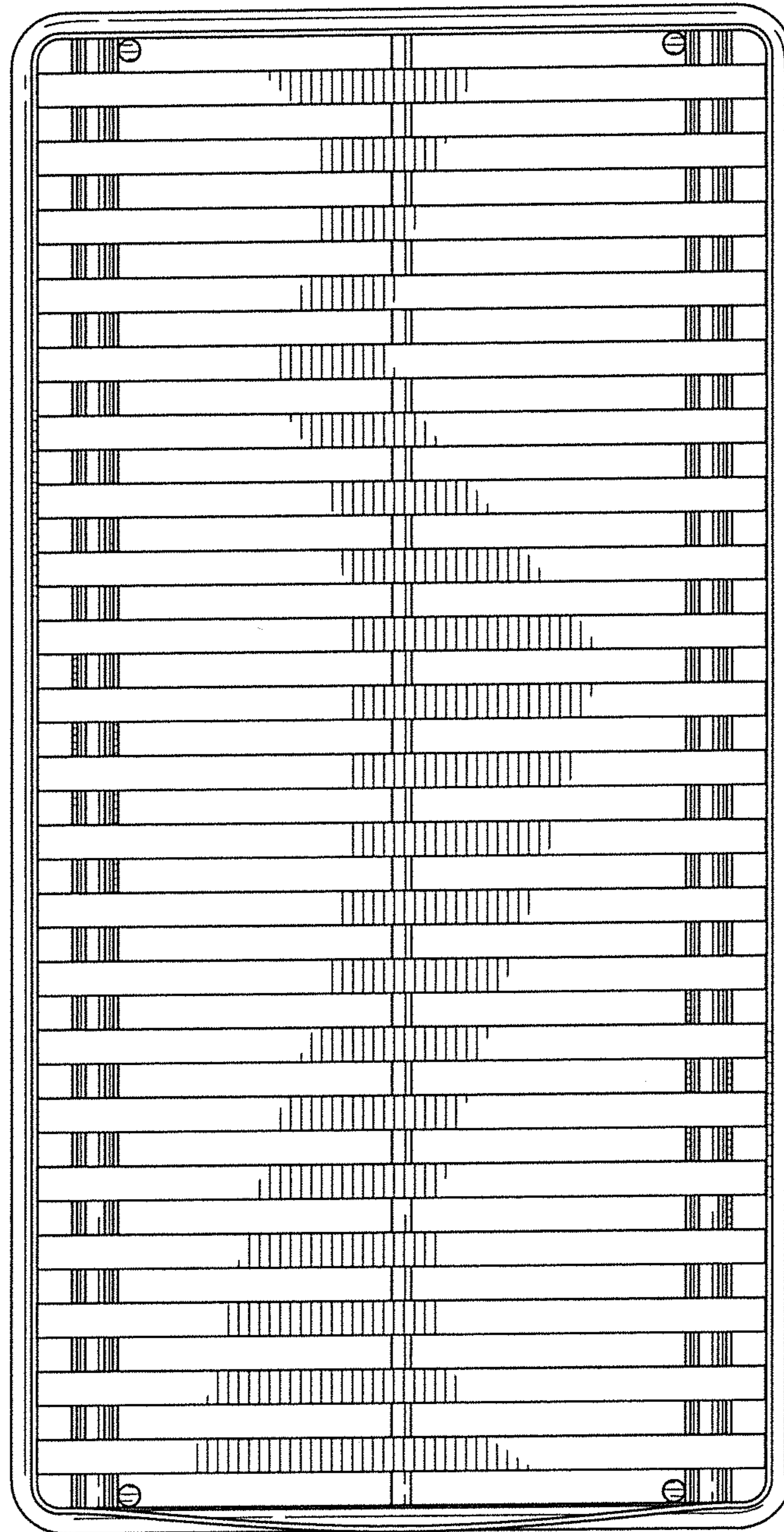


FIG. 2

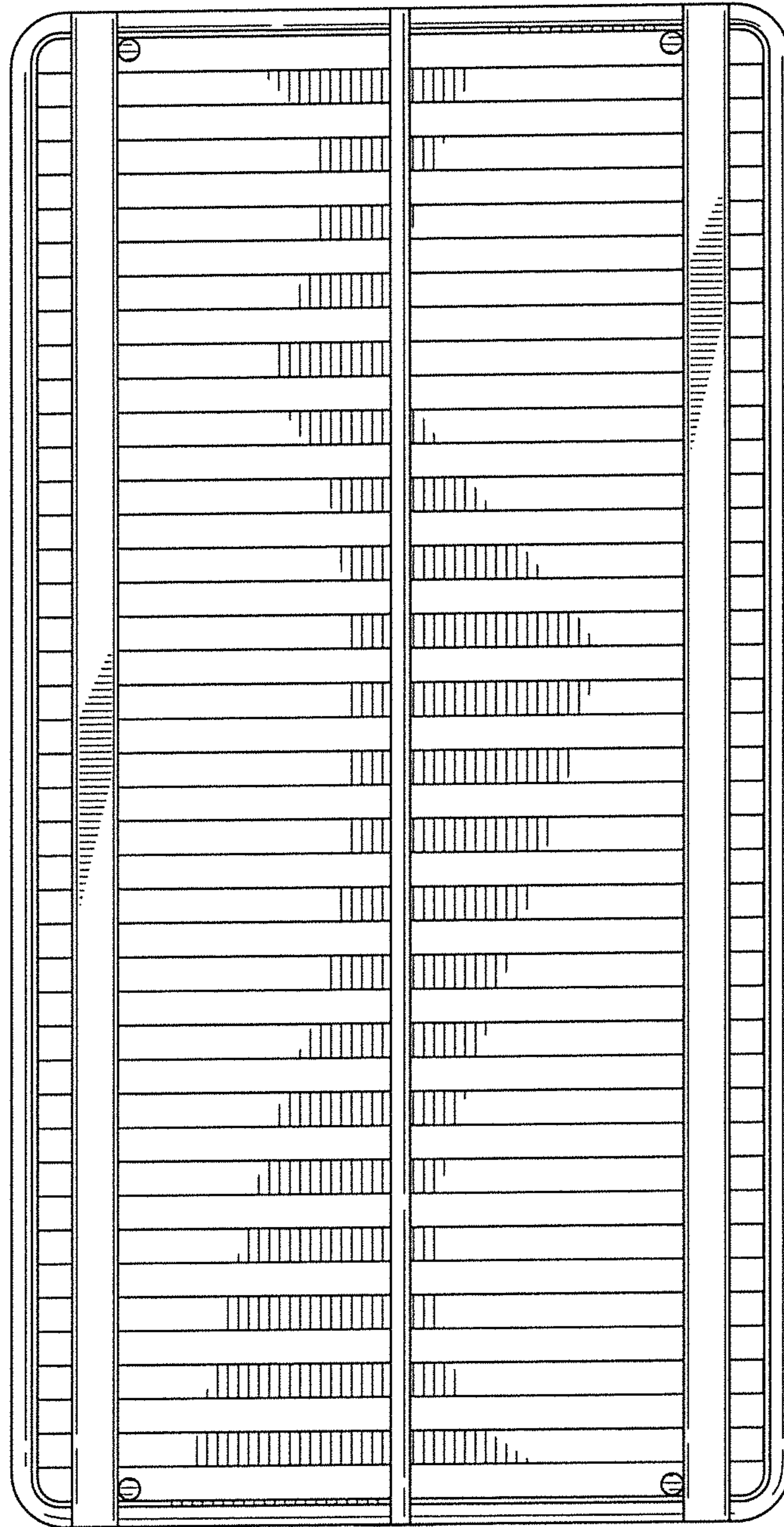


FIG. 3

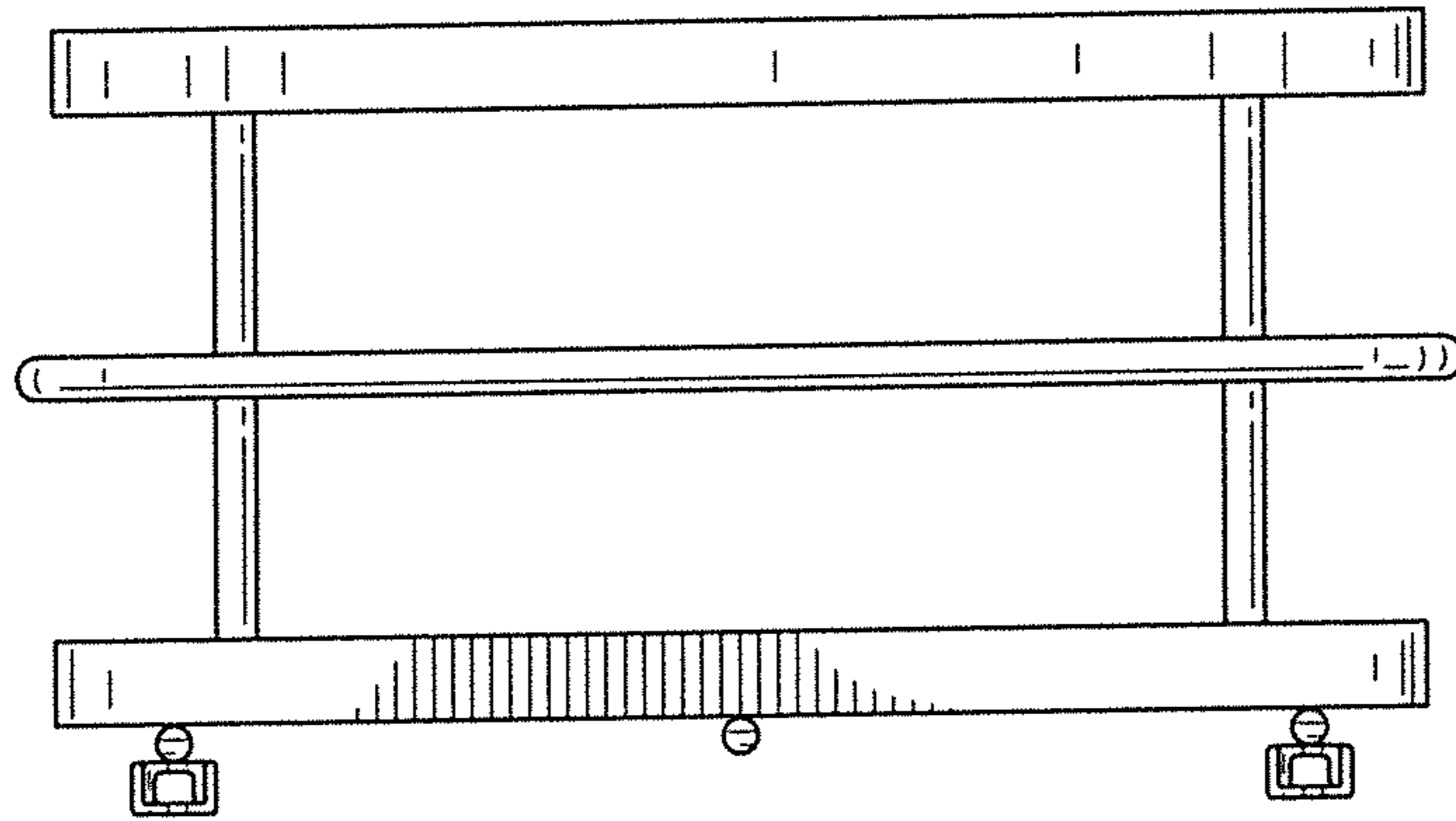


FIG. 4

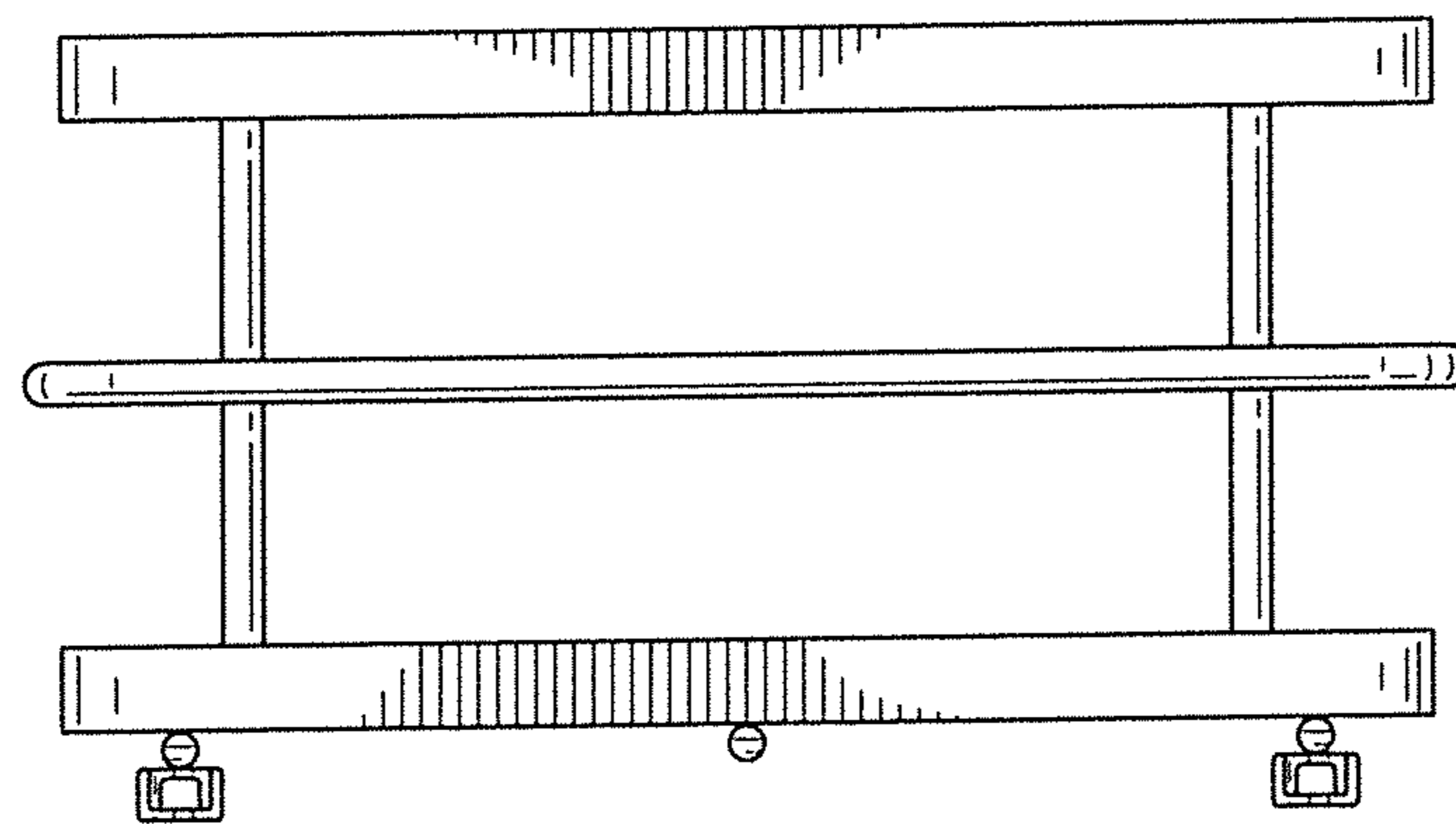


FIG. 5

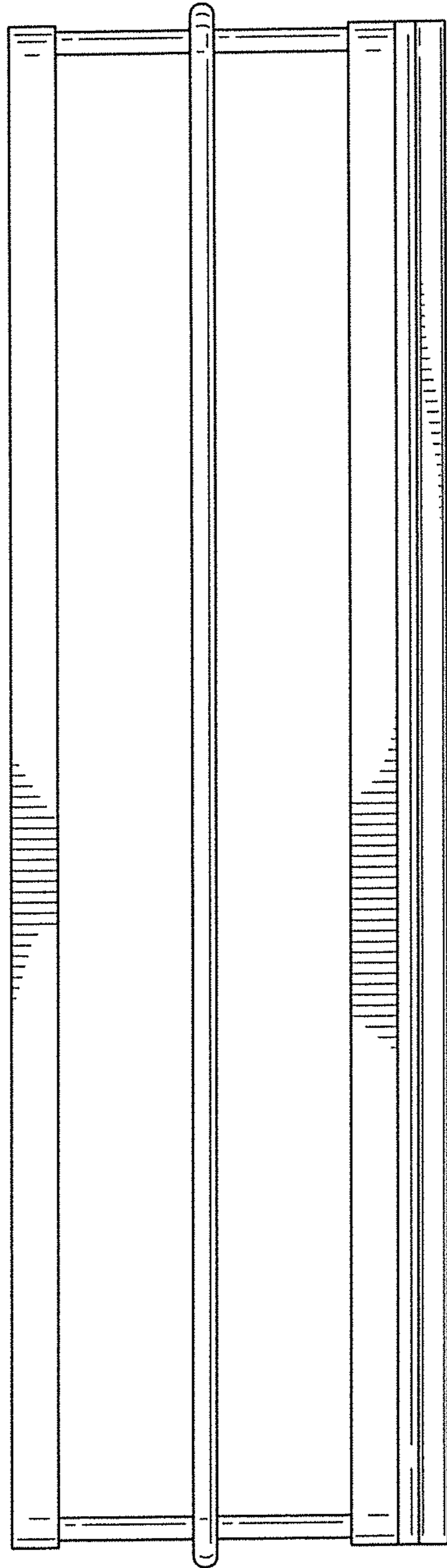


FIG. 6

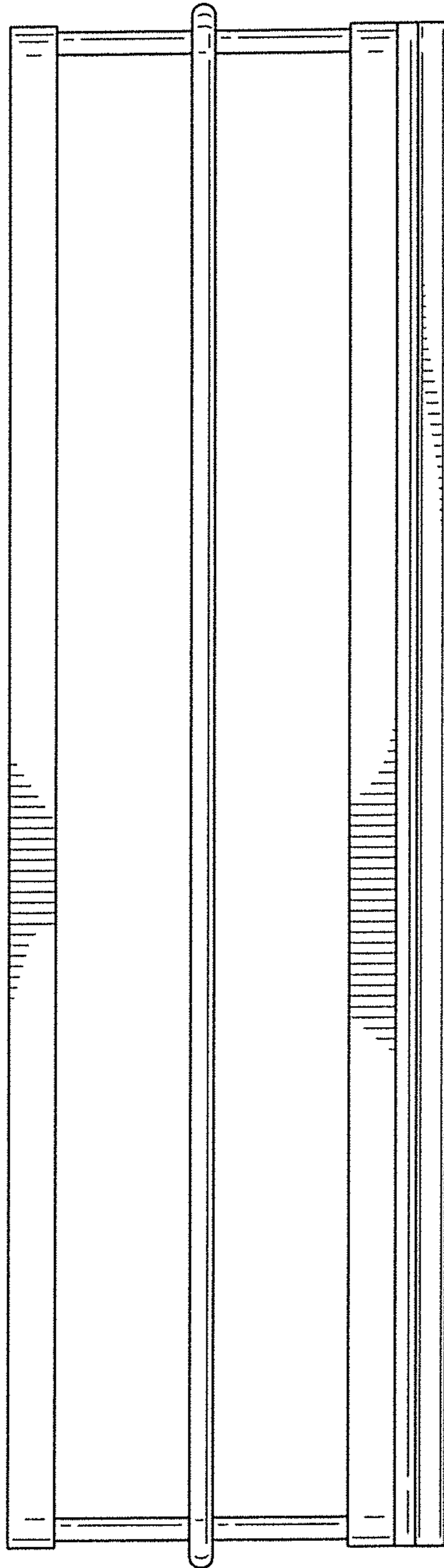


FIG. 7