



US00D776465S

(12) **United States Design Patent** (10) **Patent No.:** **US D776,465 S**
Basch (45) **Date of Patent:** **** Jan. 17, 2017**

- (54) **MODULAR CLOSET SECTION WITH HANGING BAR**
- (71) Applicant: **Modular Closets Limited Liability Company**, Lakewood, NJ (US)
- (72) Inventor: **Mordechai Basch**, Lakewood, NJ (US)
- (73) Assignee: **Modular Closets Limited Liability Company**, Lakewood, NJ (US)
- (**) Term: **15 Years**
- (21) Appl. No.: **29/534,422**
- (22) Filed: **Jul. 28, 2015**
- (51) **LOC (10) Cl.** **06-06**
- (52) **U.S. Cl.**
USPC **D6/675**
- (58) **Field of Classification Search**
USPC D6/672, 673, 675, 675.1, 675.2, 675.3
CPC A47B 57/00; A47B 57/30; A47B 87/00;
A47B 2230/0029
See application file for complete search history.

- D361,680 S 8/1995 Palsson
- 5,582,306 A * 12/1996 Balter A47B 61/00
211/105.1
- 5,601,016 A * 2/1997 Witte A47B 43/003
108/106
- D450,488 S 11/2001 Stone et al.
- D456,641 S 5/2002 Carrabba
- D496,544 S 9/2004 Bosman
- D592,891 S 5/2009 Alfonso
- D614,888 S 5/2010 Sexton
- D617,581 S 6/2010 Bauchet
- 7,900,783 B2 * 3/2011 Fernandez A47B 45/00
108/108
- 7,938,279 B2 * 5/2011 Kaplan A47B 43/003
108/47
- D655,948 S 3/2012 Dardashti et al.
(Continued)

Primary Examiner — Kelley Donnelly
(74) *Attorney, Agent, or Firm* — Weiss & Arons LLP

(57) **CLAIM**

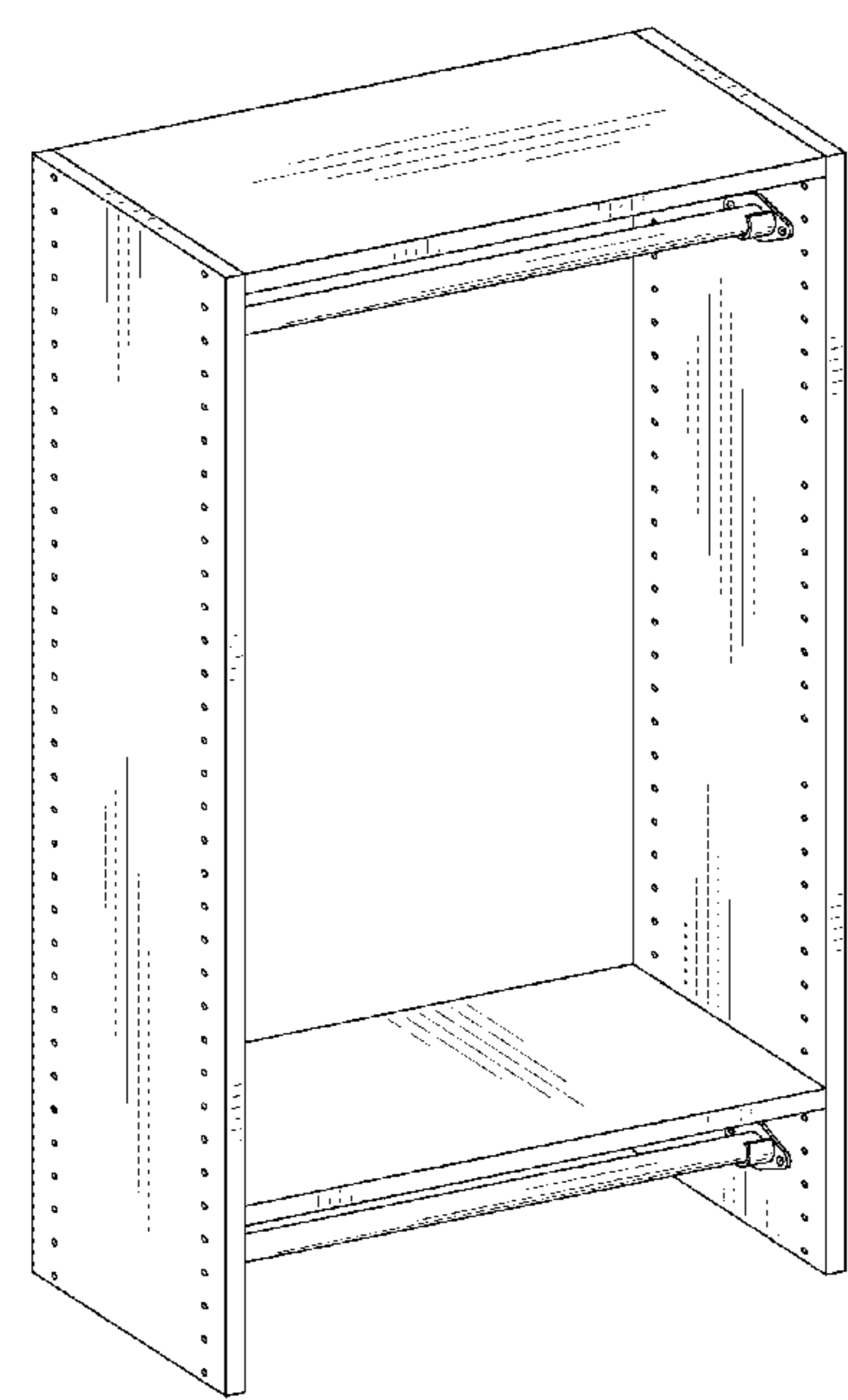
The ornamental design for a modular closet section with hanging bar, as shown and described.

DESCRIPTION

FIG. 1 is a top, front, left perspective view of a modular closet section with hanging bar showing my new design; FIG. 2 is a front view thereof; FIG. 3 is a rear view thereof; FIG. 4 is a right side view thereof; FIG. 5 is a left side view thereof; FIG. 6 is a top view thereof; FIG. 7 is a bottom view thereof; FIG. 8 is bottom, front, left perspective view thereof; FIG. 9 is a top, back, right perspective view thereof; and, FIG. 10 is a bottom, back, right perspective view thereof.

1 Claim, 8 Drawing Sheets

- (56) **References Cited**
U.S. PATENT DOCUMENTS
- 3,195,968 A 7/1965 Freeman
- 4,186,666 A * 2/1980 Honickman A47B 47/021
108/107
- 4,209,099 A * 6/1980 Wickes F16B 12/40
211/105.3
- D286,719 S 11/1986 Ferdinand
- 4,928,833 A * 5/1990 Huizenga A47B 95/008
108/152
- D313,134 S 12/1990 Pollack
- D347,131 S 5/1994 Wolff
- 5,337,905 A * 8/1994 Gast A47B 61/00
211/105.3



(56)

References Cited

U.S. PATENT DOCUMENTS

8,424,466 B2 * 4/2013 Botkin A47B 57/545
108/108
D715,077 S 10/2014 Everson et al.
8,905,247 B2 * 12/2014 Artigues A47F 5/0018
211/187
9,138,052 B2 * 9/2015 Kagramanyan A47B 61/00
D741,629 S 10/2015 Meissner et al.
D741,630 S 10/2015 Meissner et al.
D744,773 S 12/2015 Yoon
9,282,816 B2 * 3/2016 Ahart A47B 47/0091
D766,626 S 9/2016 Peden et al.
2007/0284974 A1 12/2007 Buhrman
2010/0224581 A1 * 9/2010 Hsien D06F 57/12
211/117
2016/0192775 A1 7/2016 Andersson

* cited by examiner

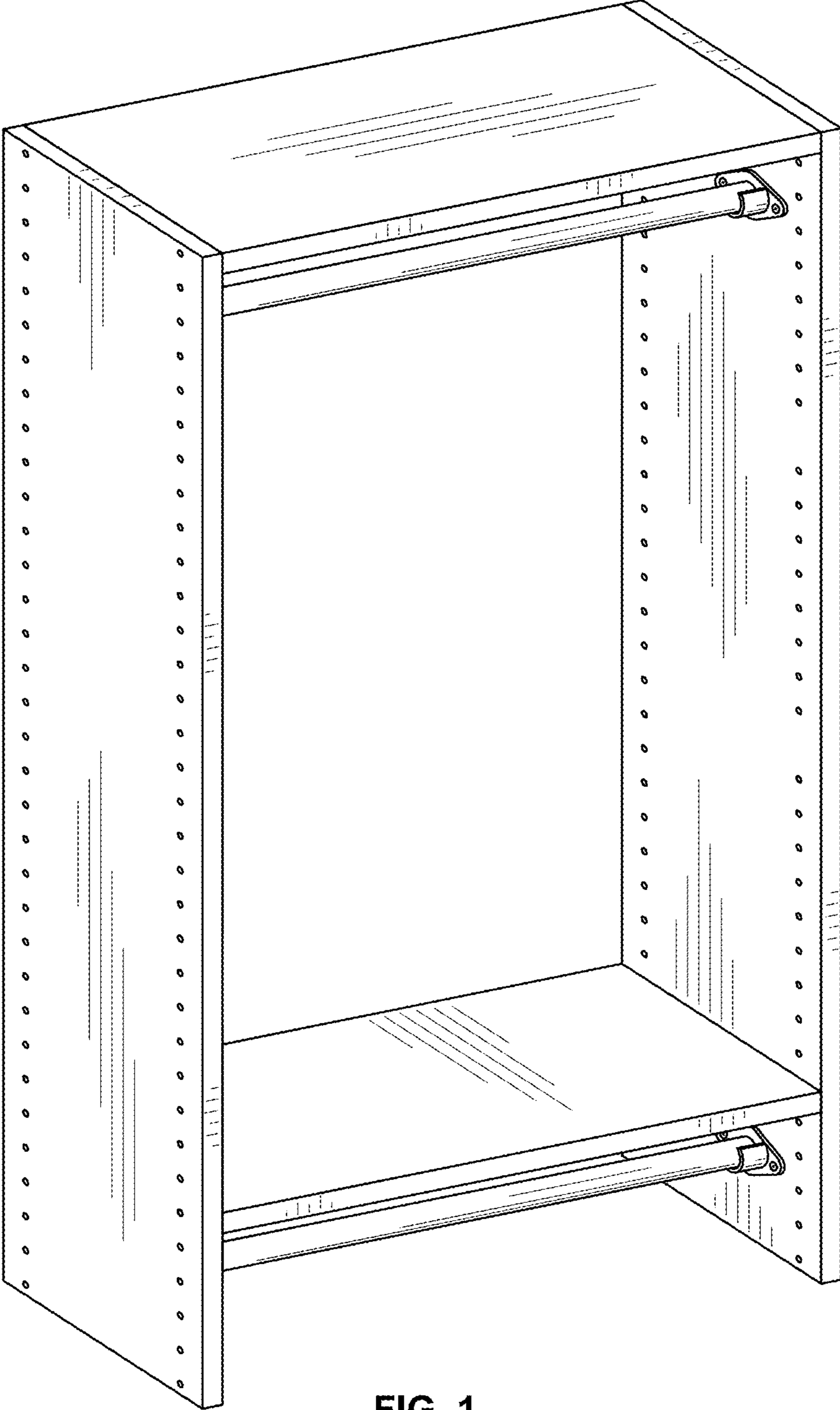


FIG. 1

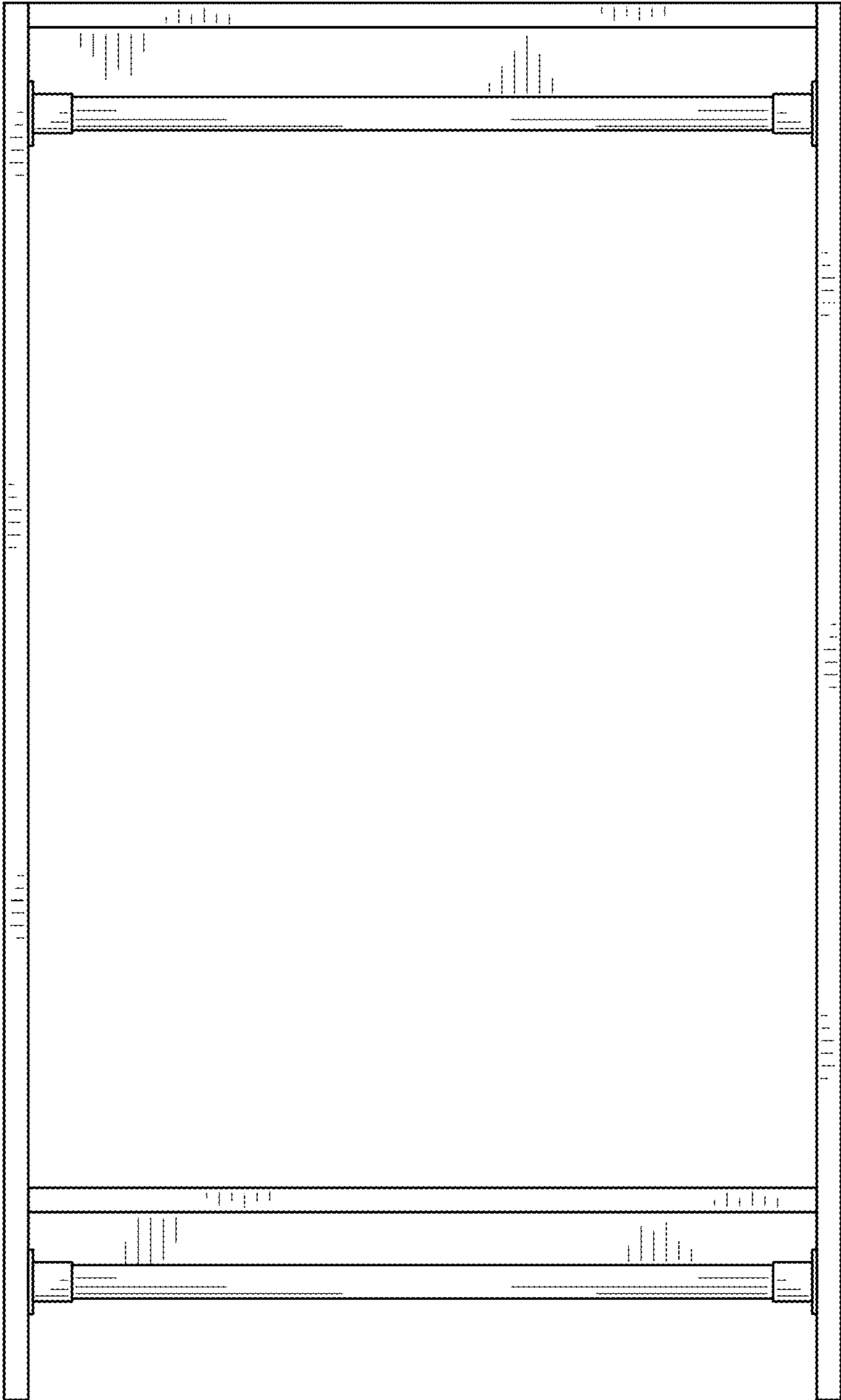


FIG. 2

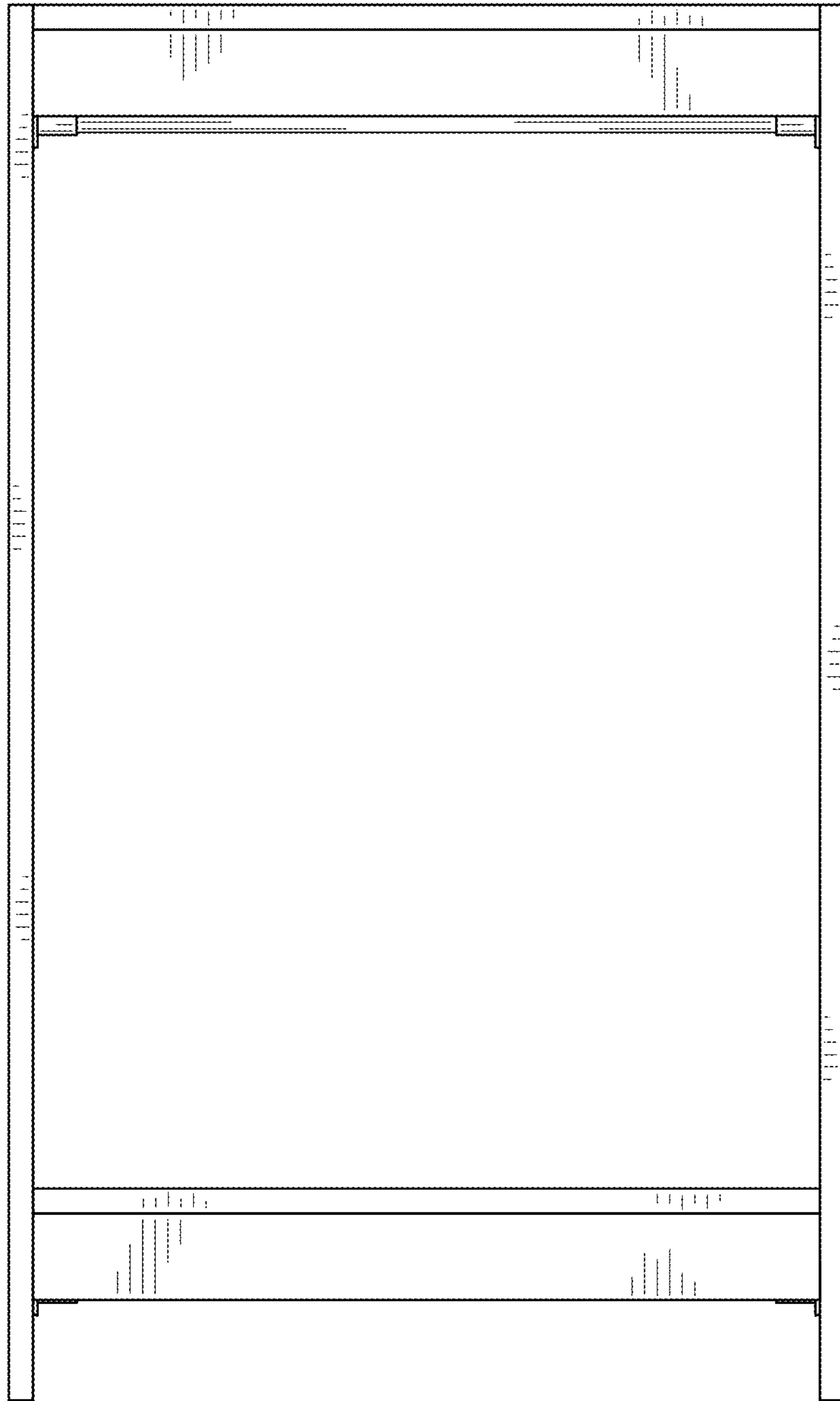


FIG. 3

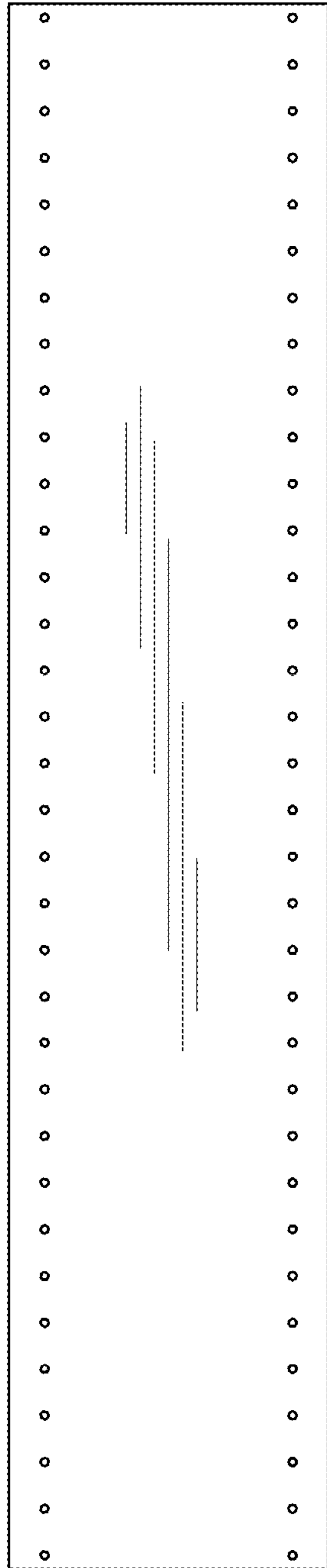


FIG. 4

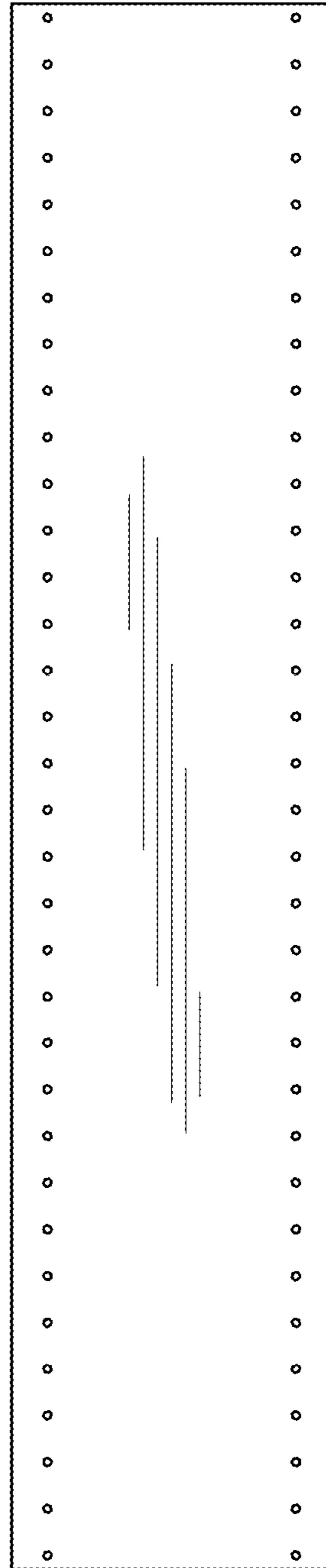


FIG. 5

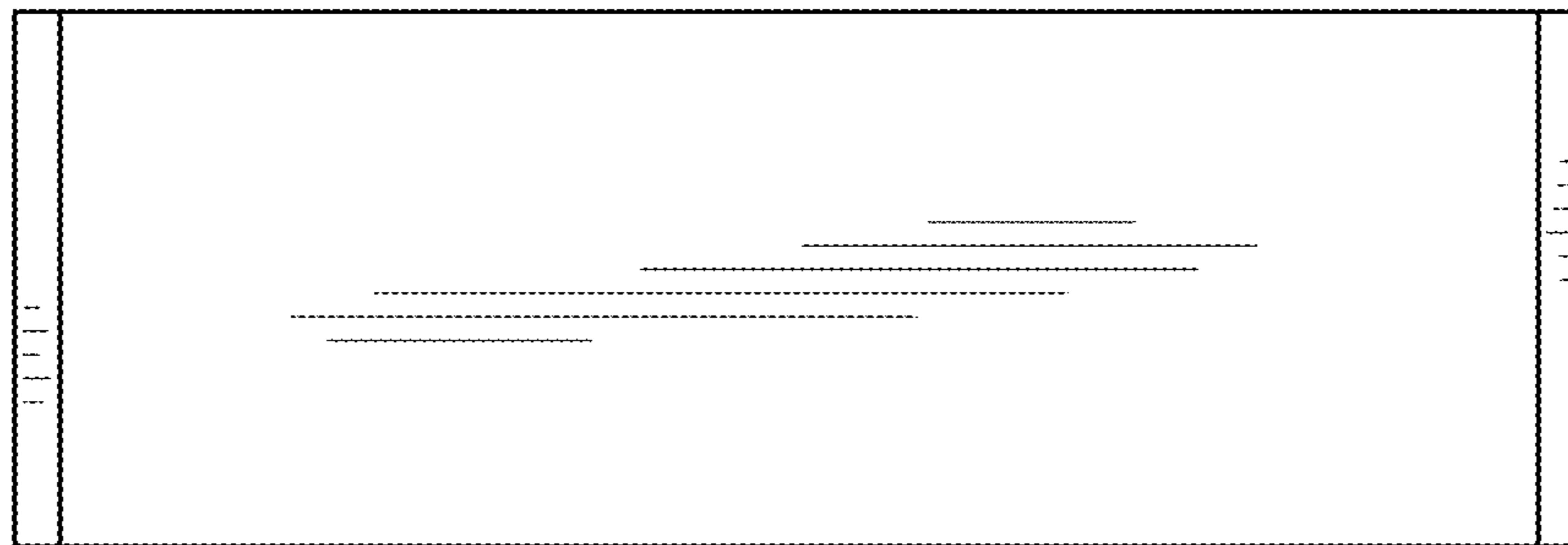


FIG. 6

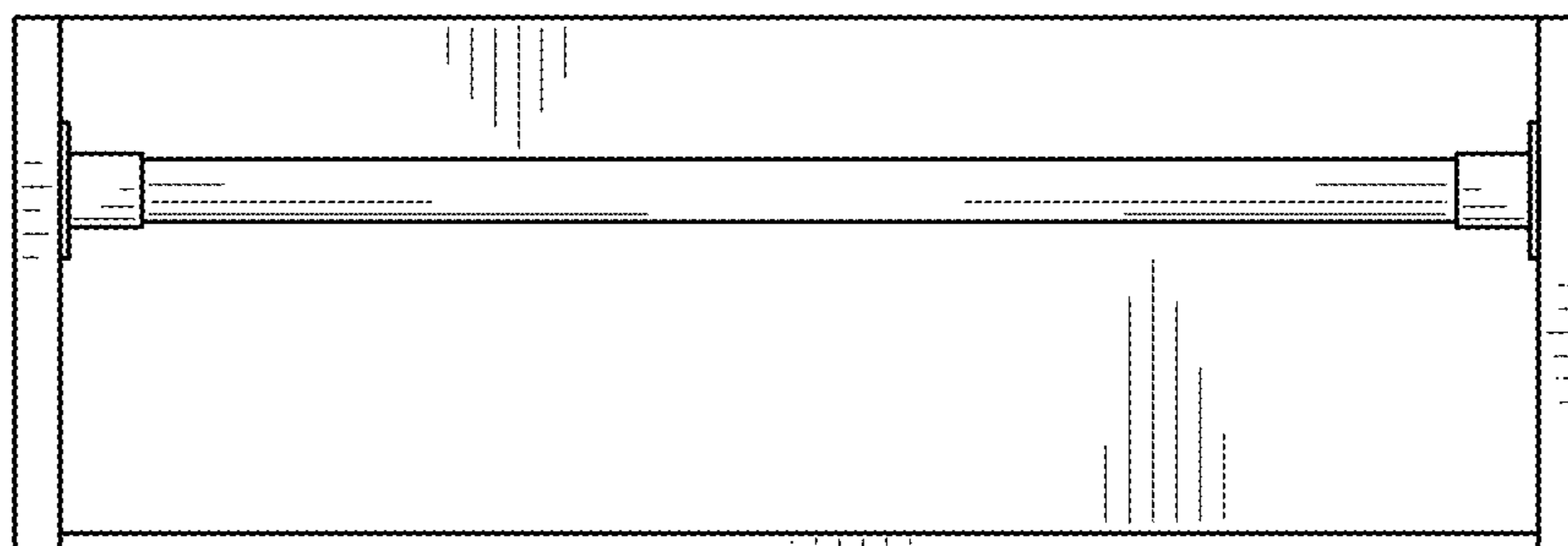


FIG. 7

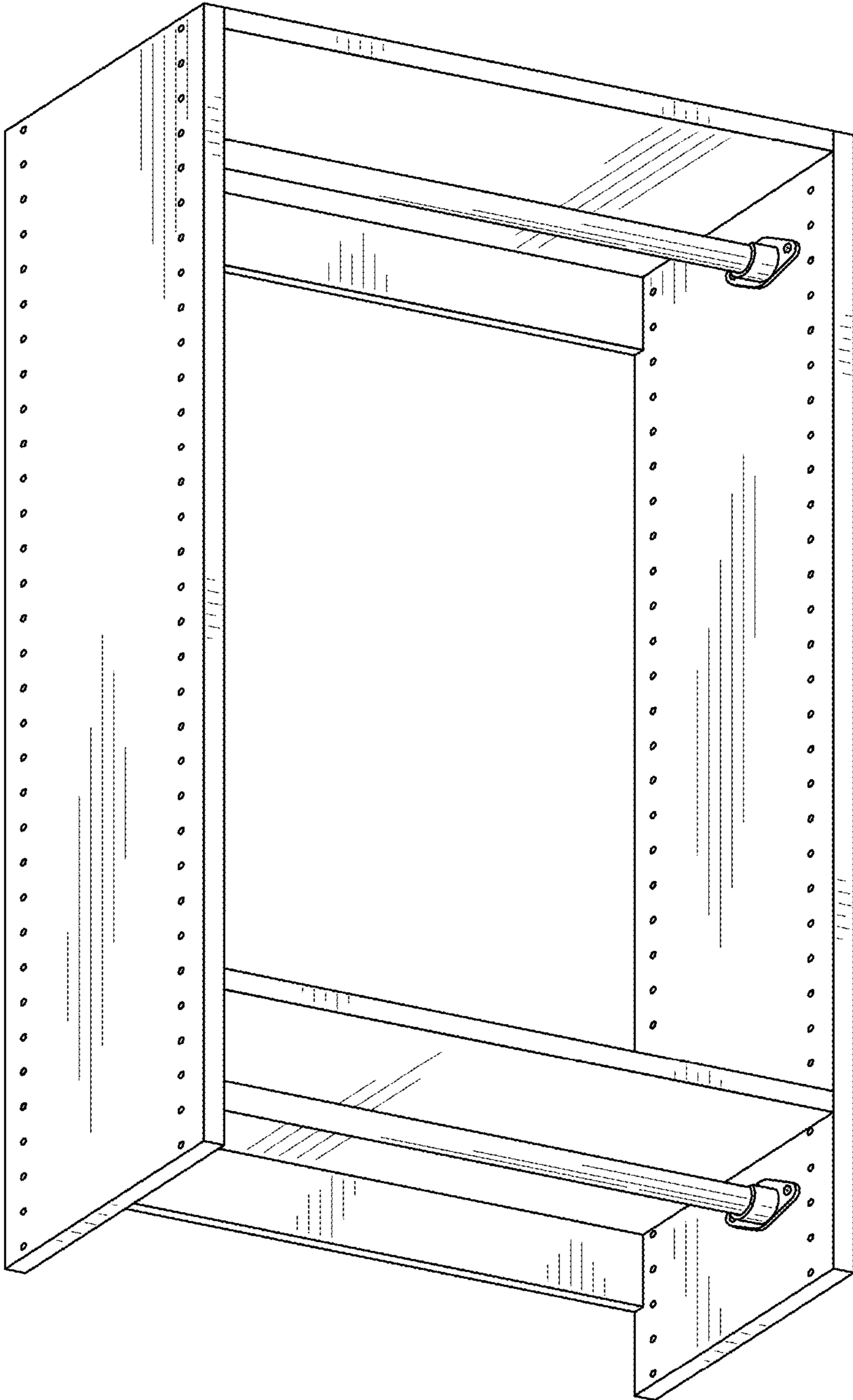


FIG. 8

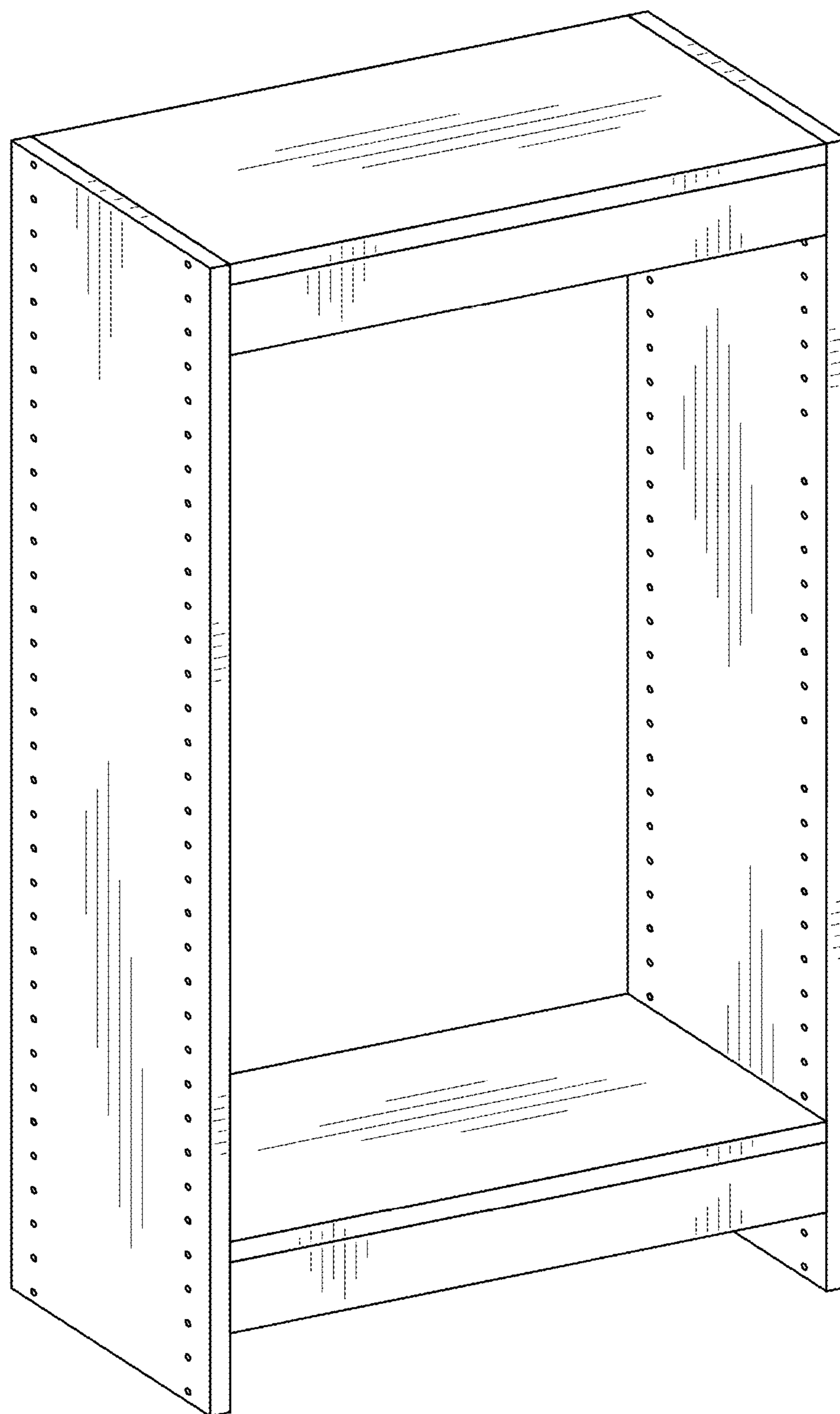


FIG. 9

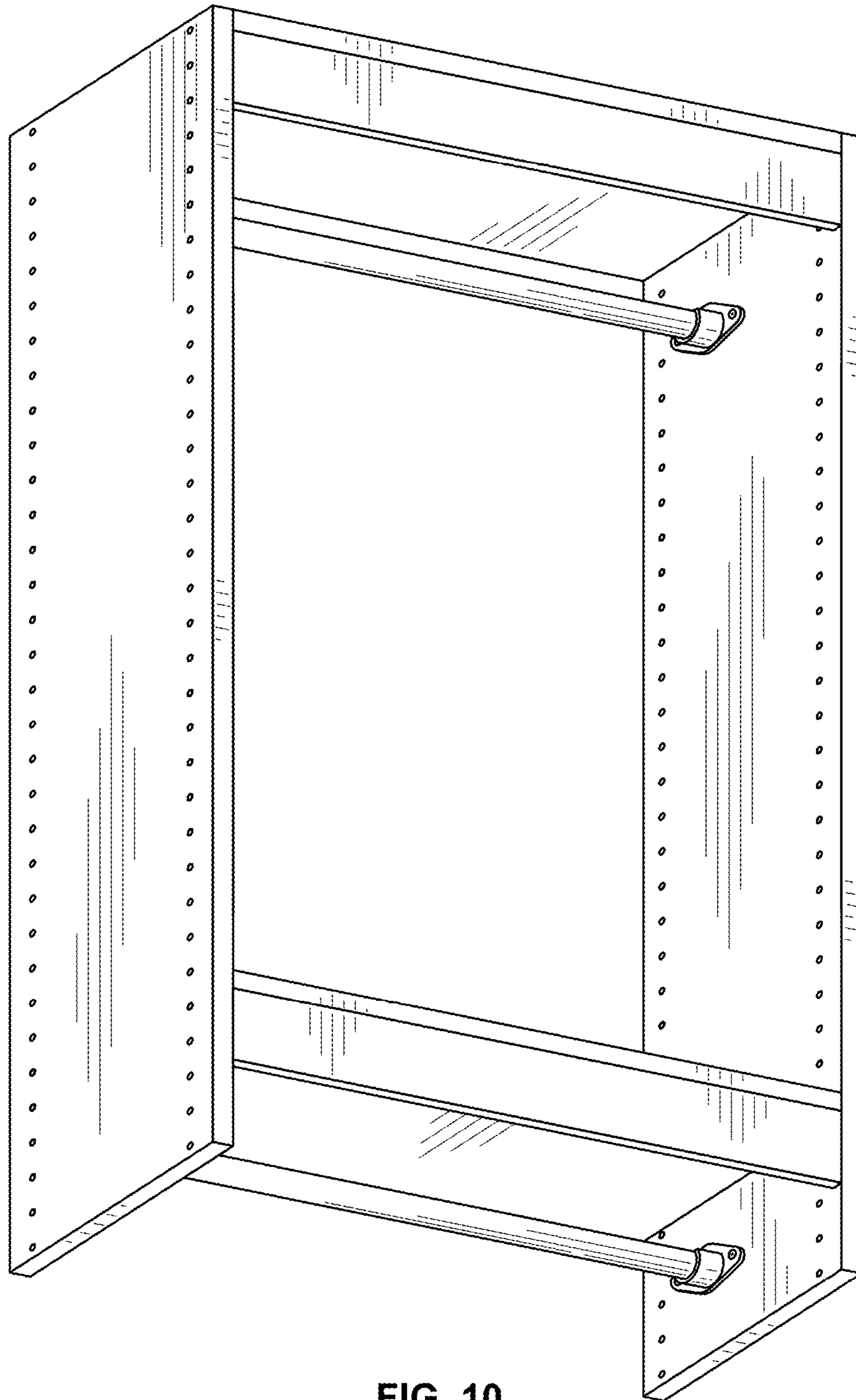


FIG. 10