



US00D776457S

(12) **United States Design Patent** (10) **Patent No.:** **US D776,457 S**
Palmer (45) **Date of Patent:** **** Jan. 17, 2017**

(54) **PILLOW**
(71) Applicant: **Alexis Palmer**, Atlanta, GA (US)
(72) Inventor: **Alexis Palmer**, Atlanta, GA (US)
(**) Term: **15 Years**
(21) Appl. No.: **29/530,180**
(22) Filed: **Jun. 15, 2015**
(51) **LOC (10) Cl.** **06-09**
(52) **U.S. Cl.**
USPC **D6/601**
(58) **Field of Classification Search**
USPC D6/333, 349, 355, 375, 388, 512, 563,
D6/564, 595, 596, 601, 604, 611, 707,
D6/715, 716, 716.1; D24/183-185, 234;
D21/803, 804, 805, 809; 5/401, 420, 600,
5/630, 631, 632, 633, 635, 636, 638,
5/639, 646, 652, 652.1, 655, 703, 730;
297/1, 2, 4, 93, 180.11, 195.1, 195.11,
297/195.13, 393, 397, 452.12, 452.14,
297/452.15, 452.21, 452.24, 452.26,
297/452.48, 452.62, 482
CPC A47G 9/10; A47G 9/1009; A47G 9/1018;
A47G 9/1027; A47G 9/1036; A47G
9/1045; A47G 9/1063; A47G
9/1072; A47G 9/1081; A47G
9/109; A47C 7/021; A47C 27/00
See application file for complete search history.

(56) **References Cited**

U.S. PATENT DOCUMENTS

D209,118 S * 10/1967 Grube D24/183
4,627,109 A * 12/1986 Carabelli A61F 5/028
2/300
D292,653 S * 11/1987 Church D29/100
4,796,315 A * 1/1989 Crew A61F 5/028
5/630
D299,988 S * 2/1989 Parabita 5/420
D309,392 S * 7/1990 Hafvenstein D6/601
D362,579 S * 9/1995 Short D6/336

D366,800 S * 2/1996 Moore, Jr. D6/596
D383,027 S * 9/1997 Riedell D6/596
D385,743 S * 11/1997 Eldridge D6/595
D388,996 S * 1/1998 Bell D6/601
D403,548 S * 1/1999 Kachmar D6/601
D407,671 S * 4/1999 Muhanna D12/128
D436,281 S * 1/2001 Thompson D6/333
D440,805 S * 4/2001 Rogone D6/333
D449,953 S * 11/2001 Mixon D24/183
6,321,401 B1 * 11/2001 Fleming A47C 27/001
5/420
D484,350 S * 12/2003 Miller D6/368
D503,867 S * 4/2005 Bennette D6/601
D508,181 S * 8/2005 Welch D6/592
6,935,273 B2 * 8/2005 Thronsen A01K 1/0353
119/431
D509,694 S * 9/2005 Pitchford D6/601
D524,086 S * 7/2006 Garrigues D6/596
D565,740 S * 4/2008 Sybrandts D24/190
7,367,071 B1 * 5/2008 Yesalusky, Jr. A47C 20/026
128/845

(Continued)

Primary Examiner — Rosemary K Tarcza
Assistant Examiner — Sanjeev Paul
(74) *Attorney, Agent, or Firm* — Dunlap Bennett &
Ludwig PLLC

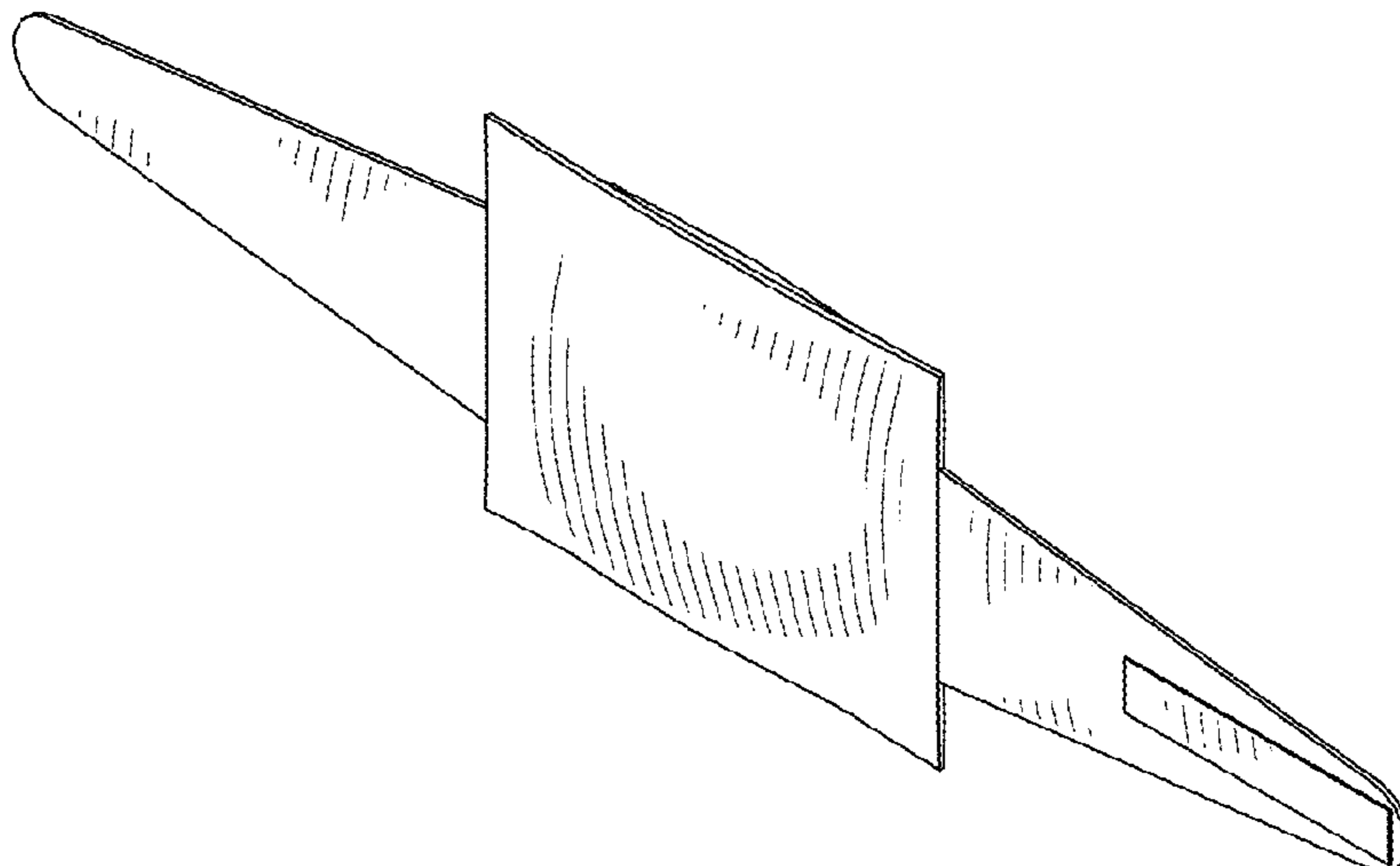
(57) **CLAIM**

The ornamental design for a pillow, as shown and described.

DESCRIPTION

FIG. 1 is a perspective view of a pillow, shown in use;
FIG. 2 is a perspective view thereof;
FIG. 3 is a front elevation view thereof;
FIG. 4 is a rear elevation view thereof;
FIG. 5 is a left elevation view thereof, illustrating the pocket
open;
FIG. 6 is a left elevation view thereof;
FIG. 7 is a right elevation view thereof; and,
FIG. 8 is a top plan view thereof, the bottom plan view being
a mirror image thereof.
The broken lines shown in the drawings illustrate portions of
the pillow that form no part of the claimed design.

1 Claim, 3 Drawing Sheets



(56)

References Cited

U.S. PATENT DOCUMENTS

D617,600	S *	6/2010	Corneh	D6/596
D621,944	S *	8/2010	Astin	D24/200
D636,831	S *	4/2011	Mikula	D21/803
D651,032	S *	12/2011	Adkins	D6/596
D667,241	S *	9/2012	Winnail	D6/716
D728,271	S *	5/2015	Cohen	D6/601
D728,973	S *	5/2015	Daley	D6/611
D734,961	S *	7/2015	Kale	D6/611
D734,962	S *	7/2015	Kale	D6/611
D750,919	S *	3/2016	Patenaude	D6/604
2004/0039316	A1 *	2/2004	Smith	A45C 13/26 602/6

* cited by examiner

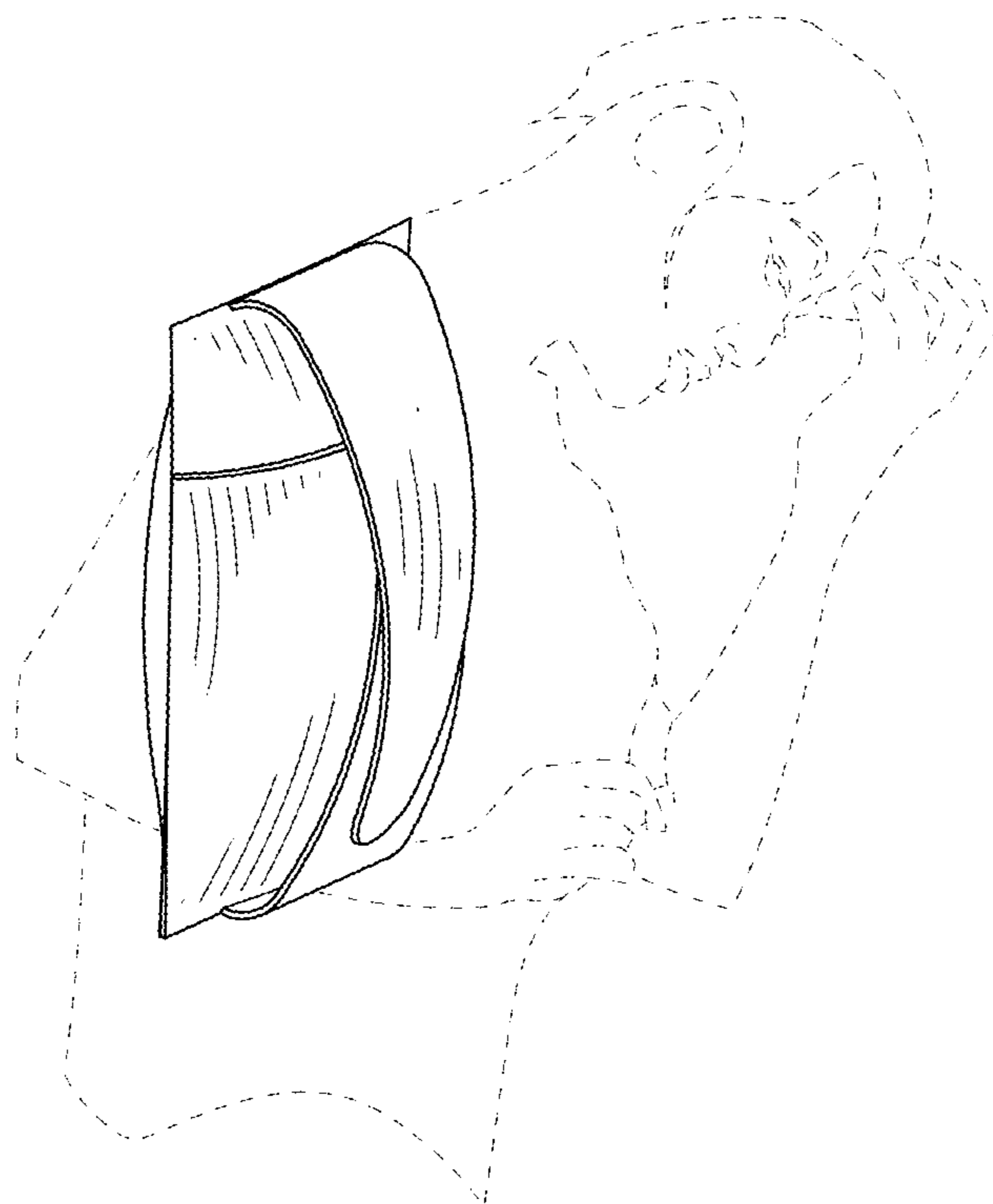


FIG. 1

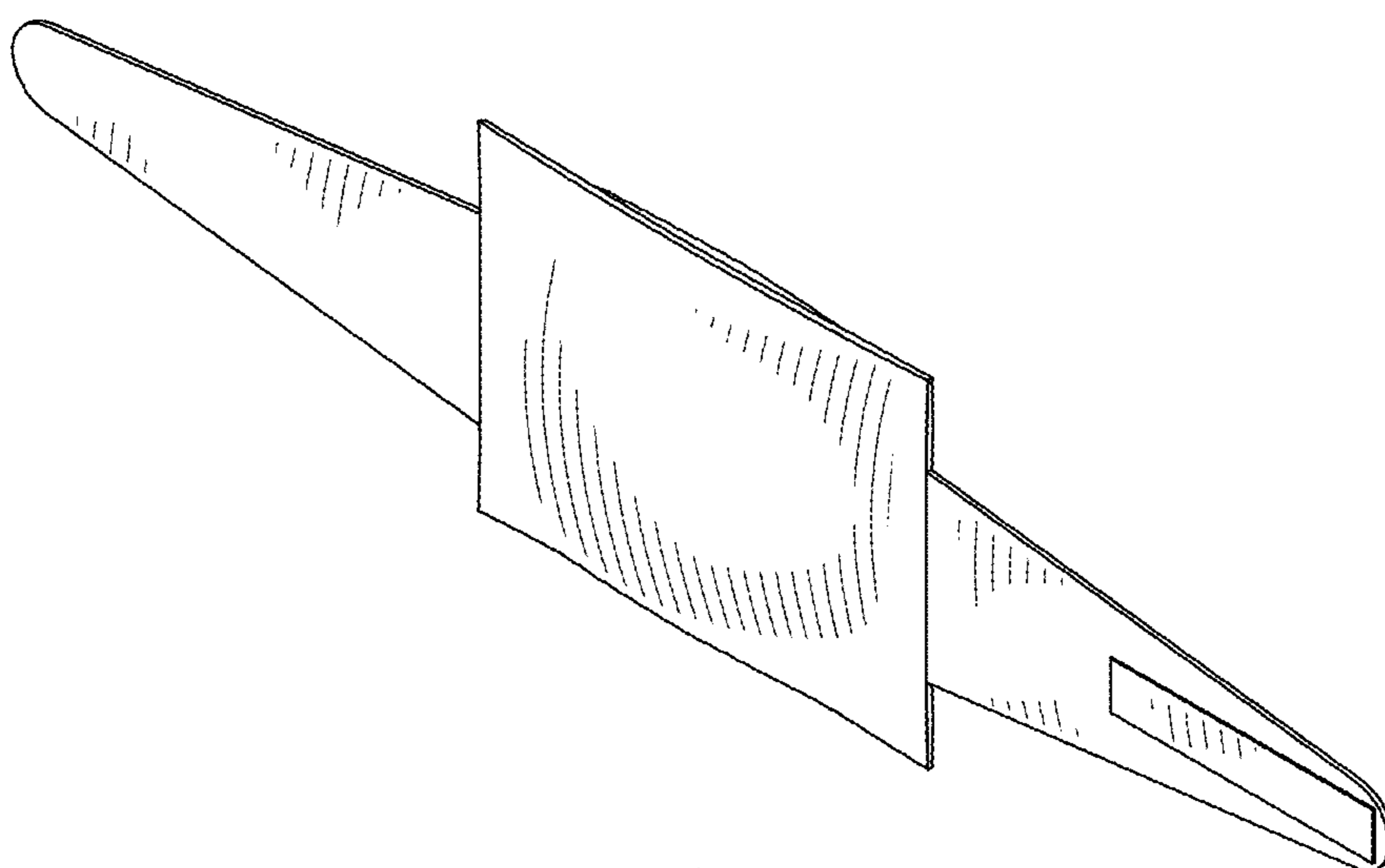


FIG. 2

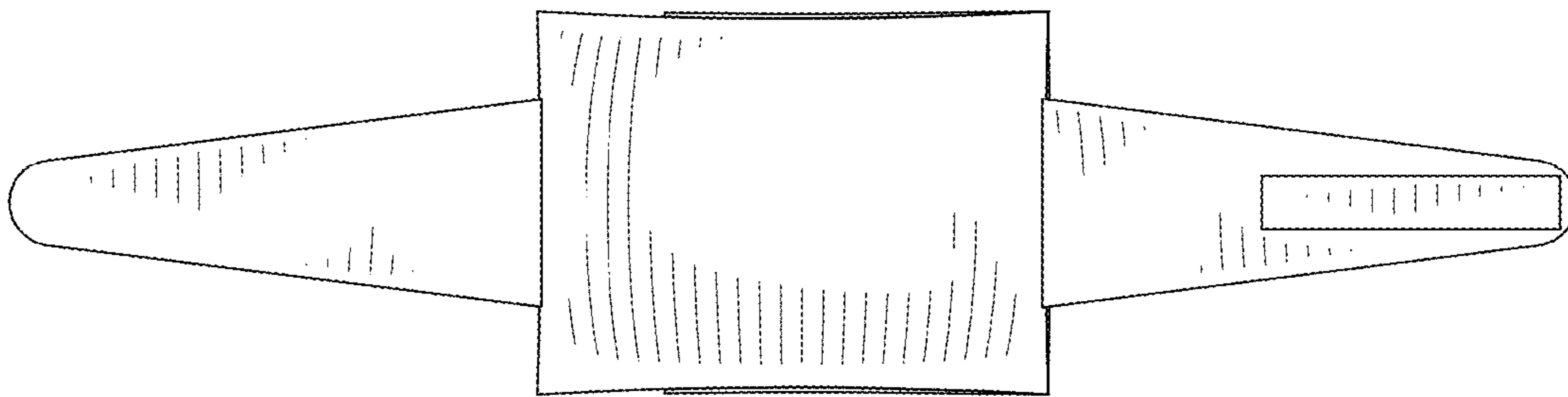


FIG. 3

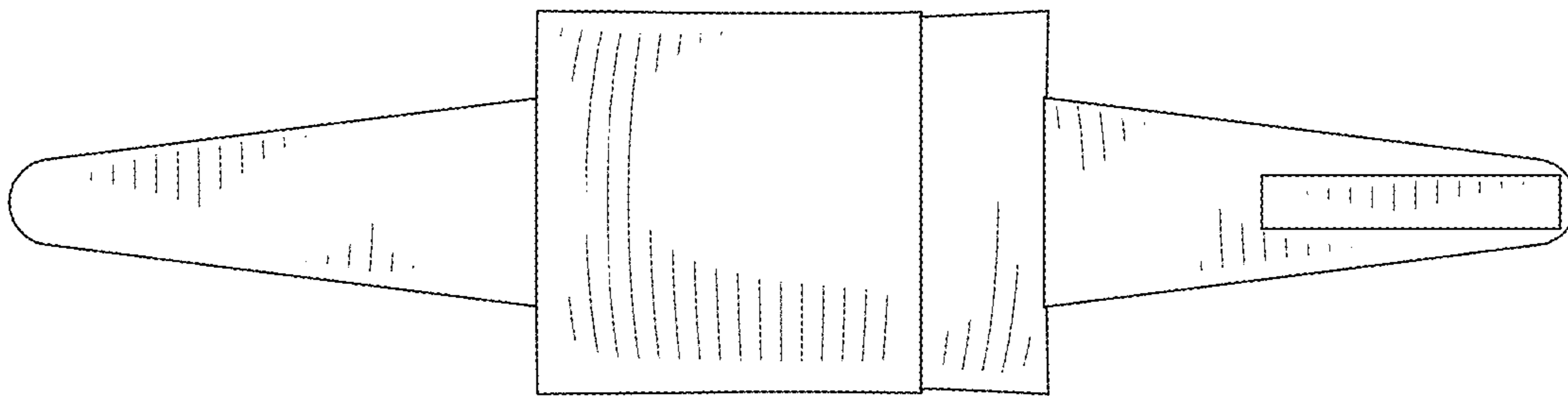


FIG. 4

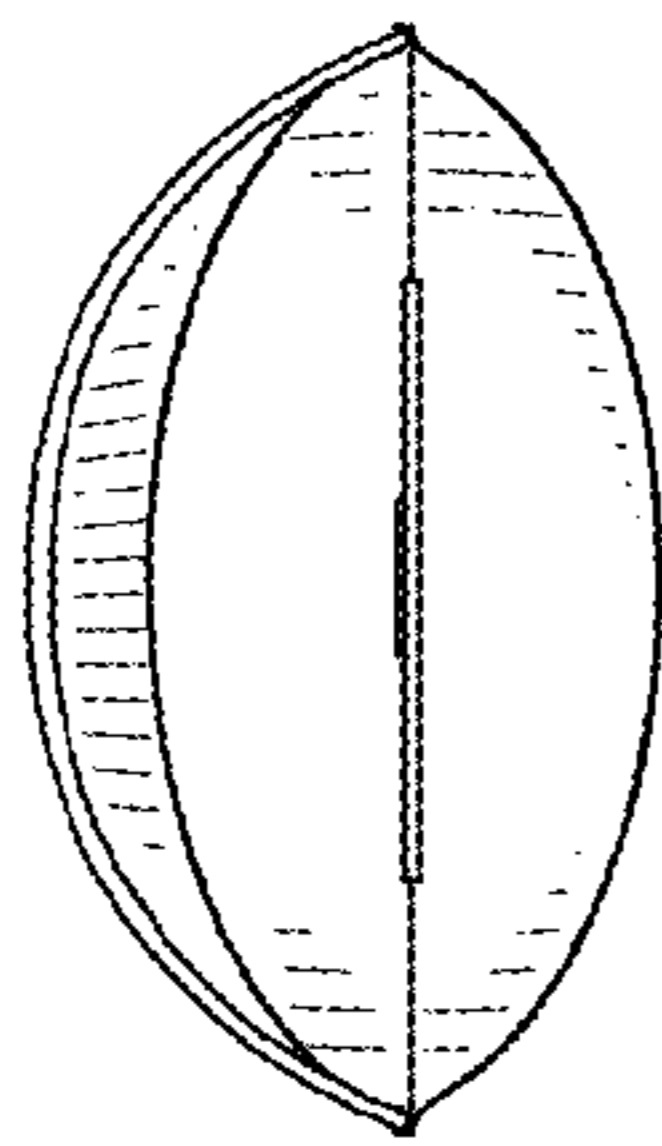


FIG. 5

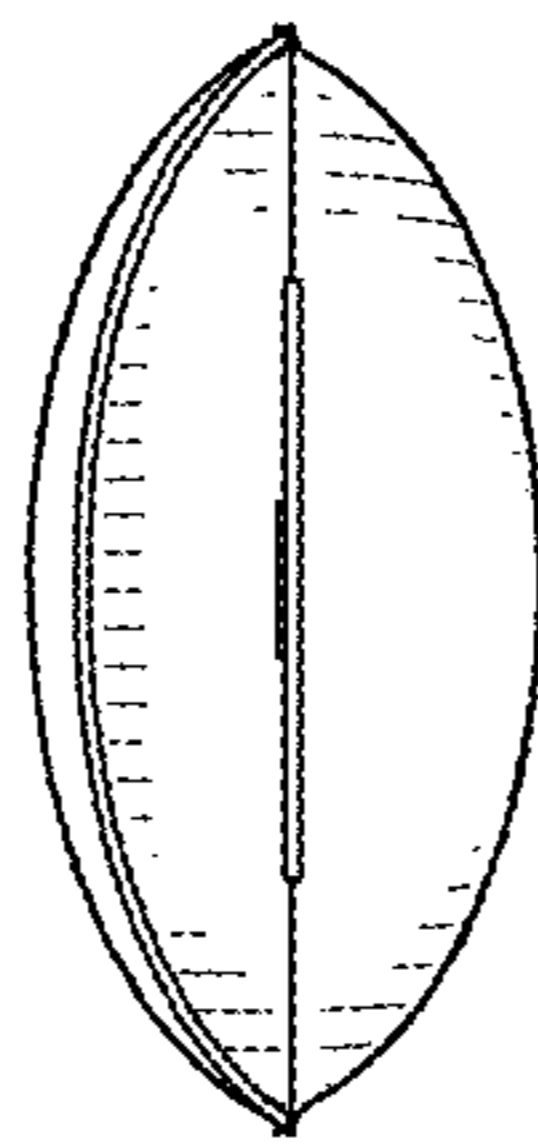


FIG. 6

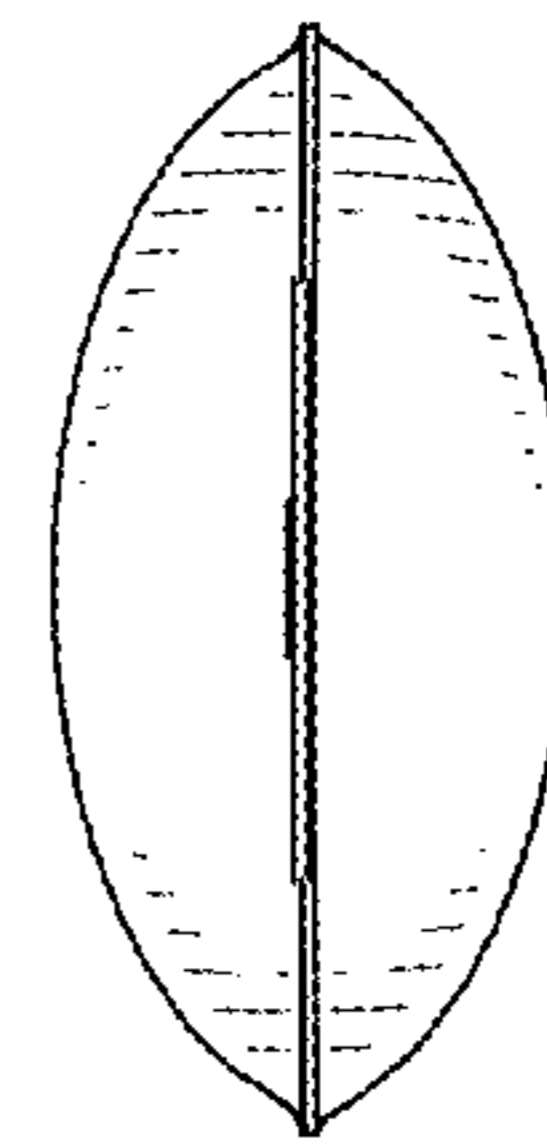


FIG. 7

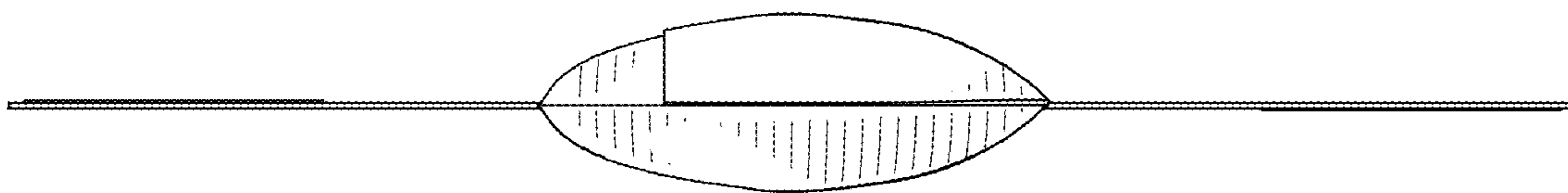


FIG. 8