



US00D776456S

(12) **United States Design Patent**  
**Geiger**

(10) **Patent No.:** **US D776,456 S**  
(45) **Date of Patent:** **\*\* Jan. 17, 2017**

(54) **RECESSED SHADE STORAGE AND DEPLOYMENT DEVICE**

(71) Applicant: **Geigtech East Bay LLC**, Charleston, SC (US)

(72) Inventor: **James Geiger**, Charleston, SC (US)

(73) Assignee: **Geigtech East Bay LLC**, Charleston, SC (US)

(\*\*) Term: **15 Years**

(21) Appl. No.: **29/529,810**

(22) Filed: **Jun. 10, 2015**

**Related U.S. Application Data**

(63) Continuation-in-part of application No. 29/512,034, filed on Dec. 16, 2014, now abandoned, which is a  
(Continued)

(51) **LOC (10) Cl.** ..... **06-10**

(52) **U.S. Cl.**  
USPC ..... **D6/575**

(58) **Field of Classification Search**

USPC ..... D6/575, 576, 577, 578, 579, 580, 581, D6/715; D8/353, 373, 376; D12/182, 183, D12/191; D25/47.1, 48.1, 48.4, 48.7, D25/48.8, 58, 60, 138, 140; D26/72, 74, D26/81, 83, 84, 85

(Continued)

(56) **References Cited**

**U.S. PATENT DOCUMENTS**

4,516,618 A \* 5/1985 Gardner ..... E06B 9/17046  
160/120  
D385,363 S \* 10/1997 Sølbeck ..... D25/60

(Continued)

**OTHER PUBLICATIONS**

U.S. Appl. No. 29/512,025, filed Dec. 16, 2014, Geiger.

(Continued)

*Primary Examiner* — Eric Goodman

*Assistant Examiner* — Amy Wierenga

(74) *Attorney, Agent, or Firm* — Foley & Lardner LLP

(57) **CLAIM**

I claim the ornamental design for a recessed shade storage and deployment device, as shown and described.

**DESCRIPTION**

FIG. 1 is a bottom, front, right perspective view of a first embodiment of the recessed shade storage and deployment device;

FIG. 2 is a bottom plan view thereof;

FIG. 3 is a front sectional view thereof taken along lines 3-3 of FIG. 2;

FIG. 4 is a left sectional view thereof taken along lines 4-4 of FIG. 2;

FIG. 5 is a bottom, front, right perspective view of a second embodiment of the recessed shade storage and deployment device;

FIG. 6 is a bottom plan view thereof;

FIG. 7 is a front sectional view thereof taken along lines 7-7 of FIG. 6;

FIG. 8 is a rear sectional view thereof taken along lines 8-8 of FIG. 6;

FIG. 9 is a right sectional view thereof taken along lines 9-9 of FIG. 6;

FIG. 10 is a left sectional view thereof taken along lines 10-10 of FIG. 6;

FIG. 11 is a bottom, front, right perspective view of a third embodiment of the recessed shade storage and deployment device;

FIG. 12 is a bottom plan view thereof;

FIG. 13 is a left sectional view thereof taken along lines 13-13 of FIG. 12;

FIG. 14 is a bottom, front, right perspective view of a fourth embodiment of the recessed shade storage and deployment device;

FIG. 15 is a bottom plan view thereof;

FIG. 16 is a front sectional view thereof taken along lines 16-16 of FIG. 15;

(Continued)

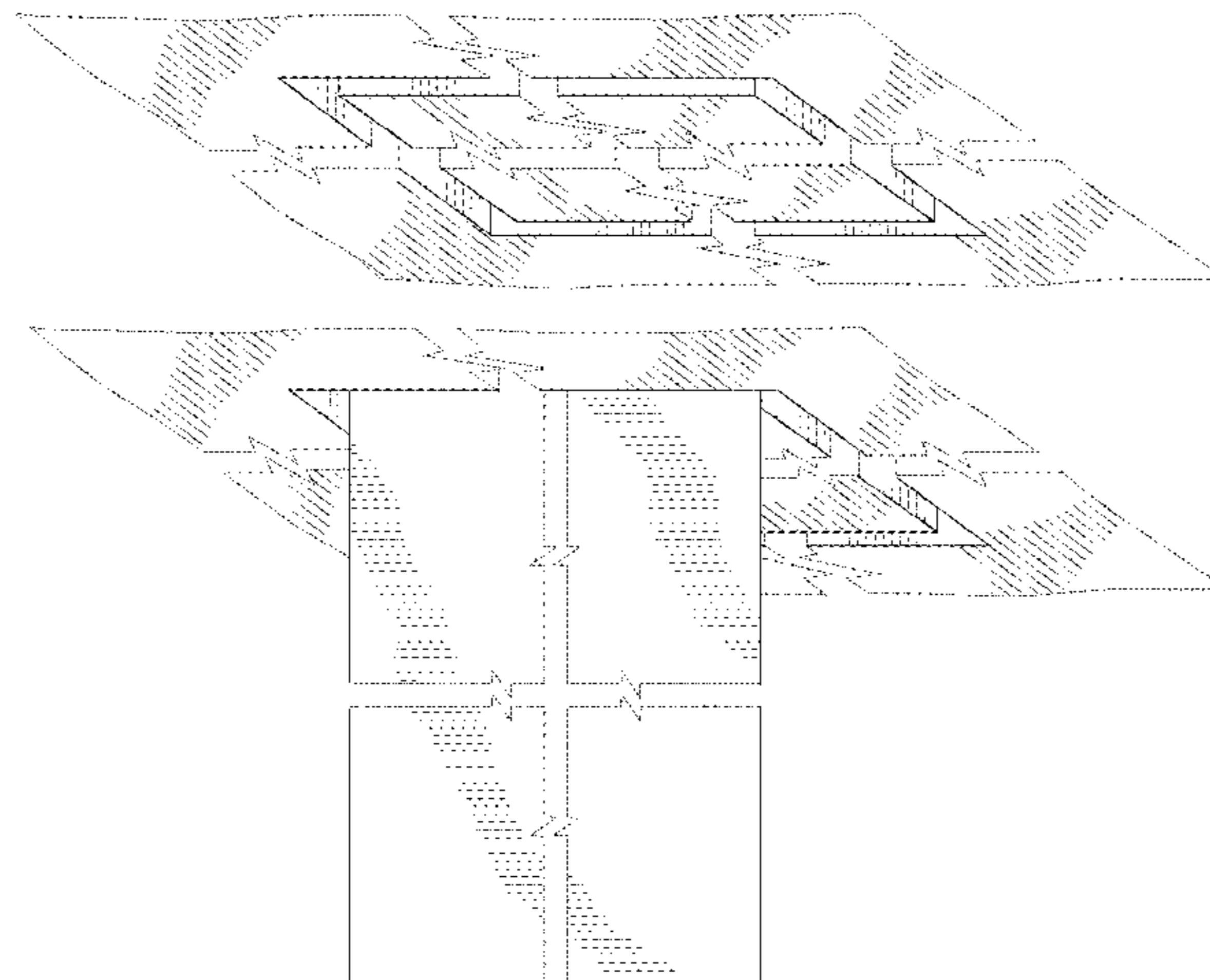


FIG. 17 is a left sectional view thereof taken along lines 17-17 of FIG. 15;  
 FIG. 18 is a bottom, front, right perspective view of a fifth embodiment of the recessed shade storage and deployment device;  
 FIG. 19 is a bottom plan view thereof;  
 FIG. 20 is a front sectional view thereof taken along lines 20-20 of FIG. 19;  
 FIG. 21 is a rear sectional view thereof taken along lines 21-21 of FIG. 19;  
 FIG. 22 is a right sectional view thereof taken along lines 22-22 of FIG. 19;  
 FIG. 23 is a left sectional view thereof taken along lines 23-23 of FIG. 19;  
 FIG. 24 is a bottom, front, right perspective view of a sixth embodiment of the recessed shade storage and deployment device;  
 FIG. 25 is a bottom plan view thereof; and,  
 FIG. 26 is a left sectional view thereof taken along lines 26-26 of FIG. 25.  
 The evenly dashed broken lines are for the purpose of illustrating portions of the design that form no part of the claim. The unevenly dashed broken lines are for the purpose of illustrating the claim boundary and form no part of the claim. The recessed shade storage and deployment device is shown with a symbolic break in its length. The appearance of any portion of the article between the break lines forms no part of the claim.

**1 Claim, 26 Drawing Sheets**

**Related U.S. Application Data**

continuation-in-part of application No. 29/512,025, filed on Dec. 16, 2014, now abandoned.

(58) **Field of Classification Search**

CPC ..... A47H 13/00; A47H 13/14; E06B 9/54;  
 E06B 9/262; G03B 21/58; B60J  
 11/00; B60J 11/08; B60J 5/0416; E06B  
 2003/7046; E06B 1/52; E06B 9/40; E06B  
 9/50; E06B 9/58; E06B 9/78

See application file for complete search history.

(56) **References Cited**

U.S. PATENT DOCUMENTS

D432,667	S *	10/2000	Møller	.....	D25/60
6,283,427	B1	9/2001	Møller et al.		
D527,813	S *	9/2006	Dodge	.....	D23/393
D531,884	S	11/2006	Fabrizi		
D582,055	S *	12/2008	Moller	.....	D25/60
7,740,047	B2 *	6/2010	Koop	.....	E06B 9/50 160/323.1
D669,771	S	10/2012	Geiger		
D677,819	S *	3/2013	Mayfield, III	.....	D26/74
8,807,192	B2 *	8/2014	Marocco	.....	A47H 23/00 160/120
D712,727	S	9/2014	Geiger		
2005/0183835	A1	8/2005	Nien		
2011/0139382	A1	6/2011	Daniels		
2012/0273140	A1 *	11/2012	Morales	.....	E06B 9/24 160/120
2015/0136941	A1	5/2015	Geiger		

OTHER PUBLICATIONS

U.S. Appl. No. 29/512,034, filed Dec. 16, 2014, Geiger.  
 U.S. Appl. No. 29/512,038, filed Dec. 16, 2014, Geiger.  
 International Search Report and Written Opinion regarding PCT/  
 US2013/041175, mail date Sep. 12, 2013, 9 pages.

\* cited by examiner

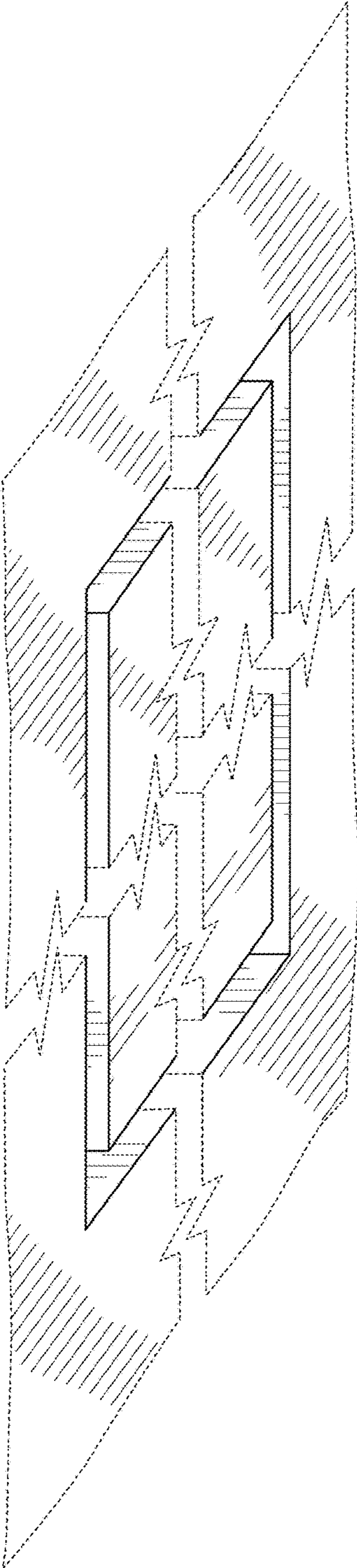


FIG. 1

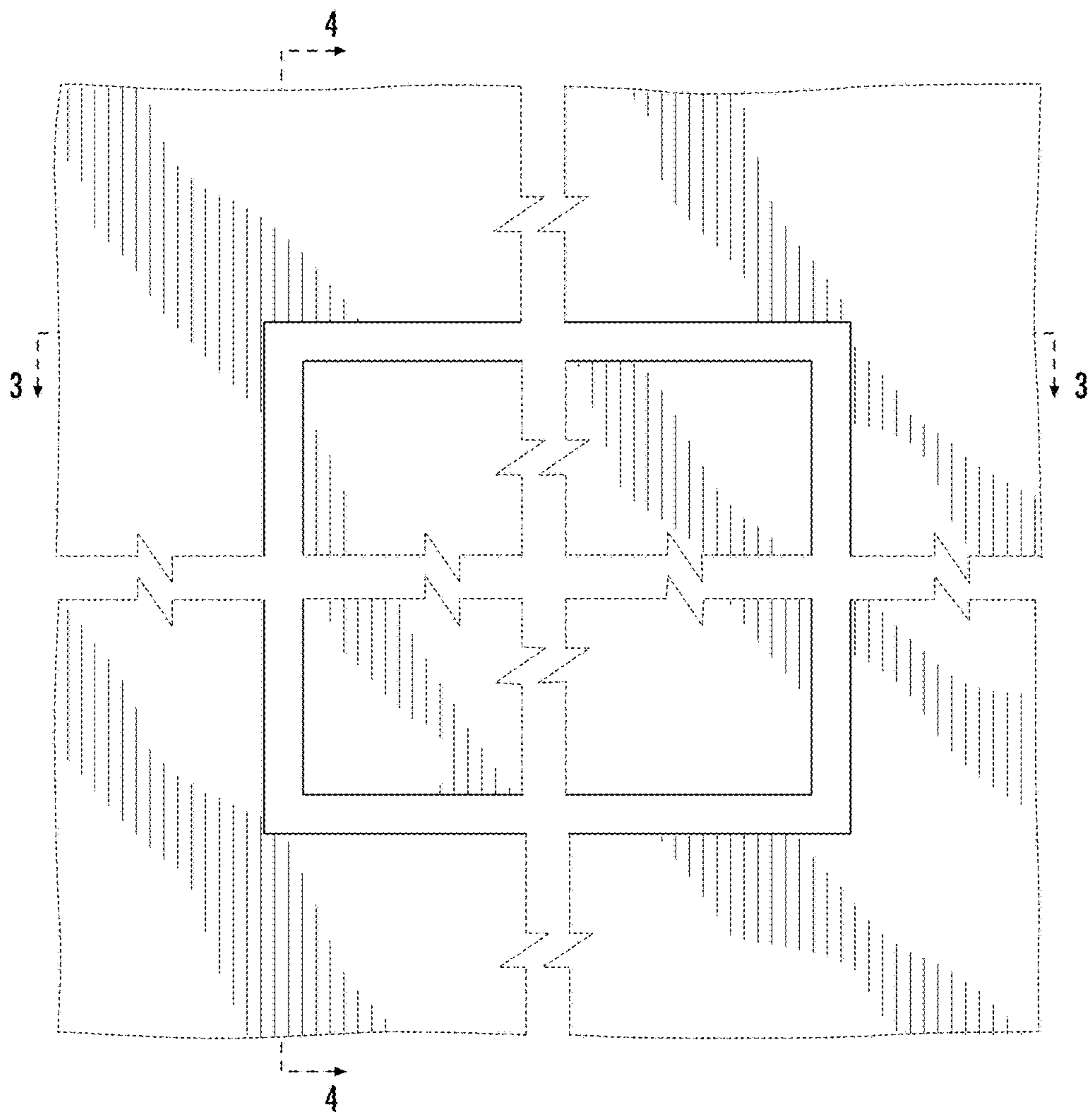


FIG. 2

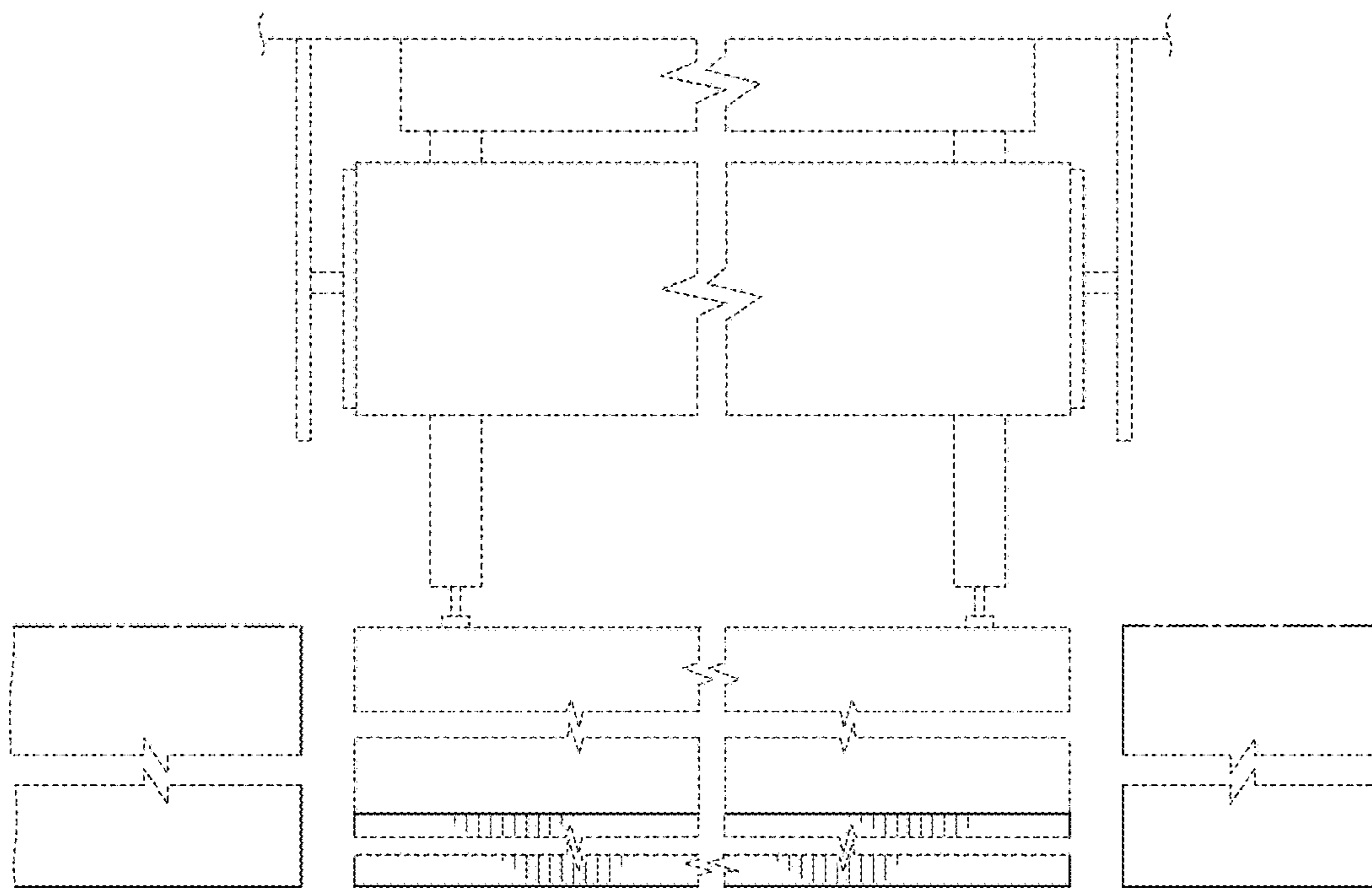


FIG.3

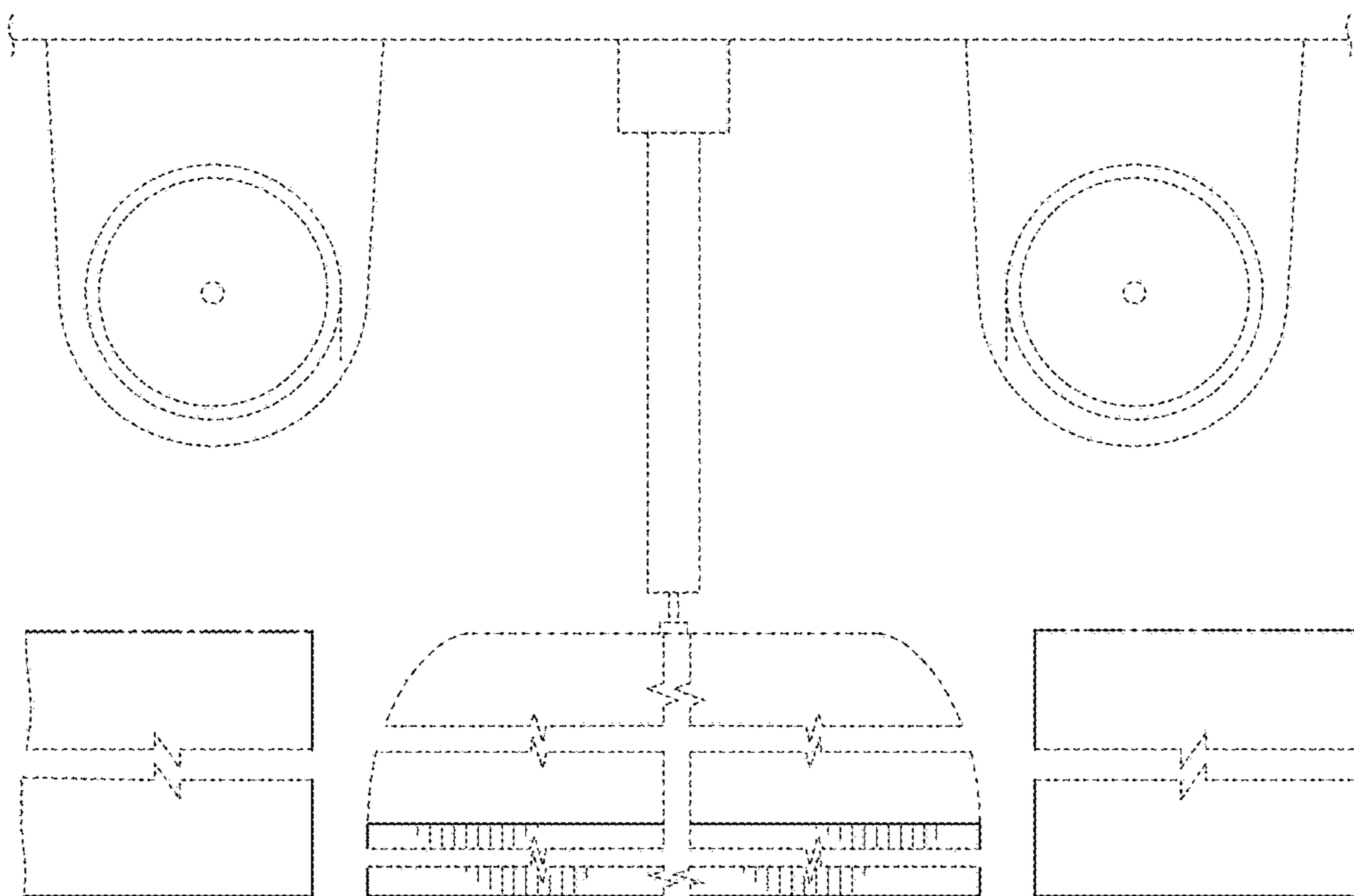


FIG.4

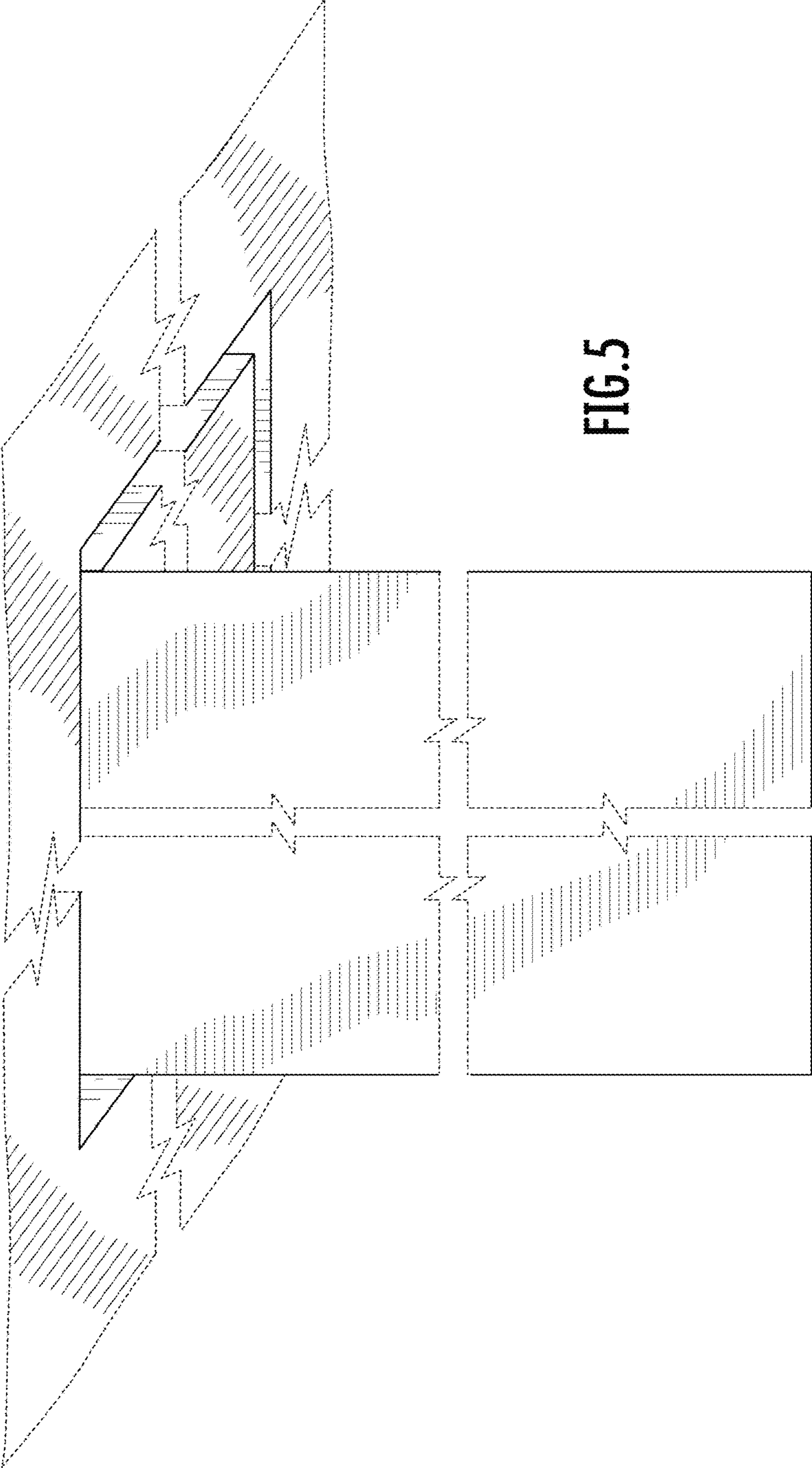


FIG. 5

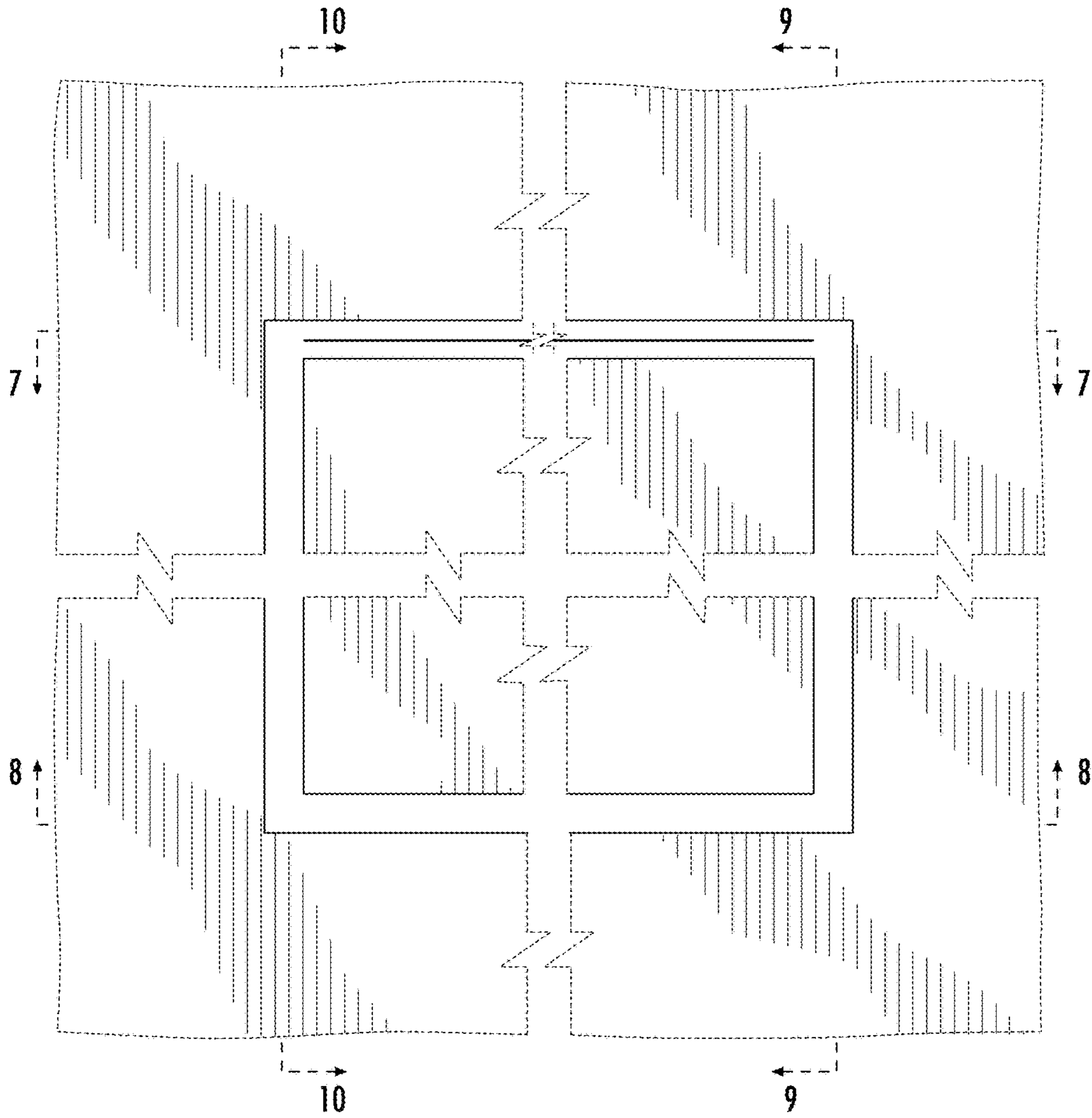


FIG.6



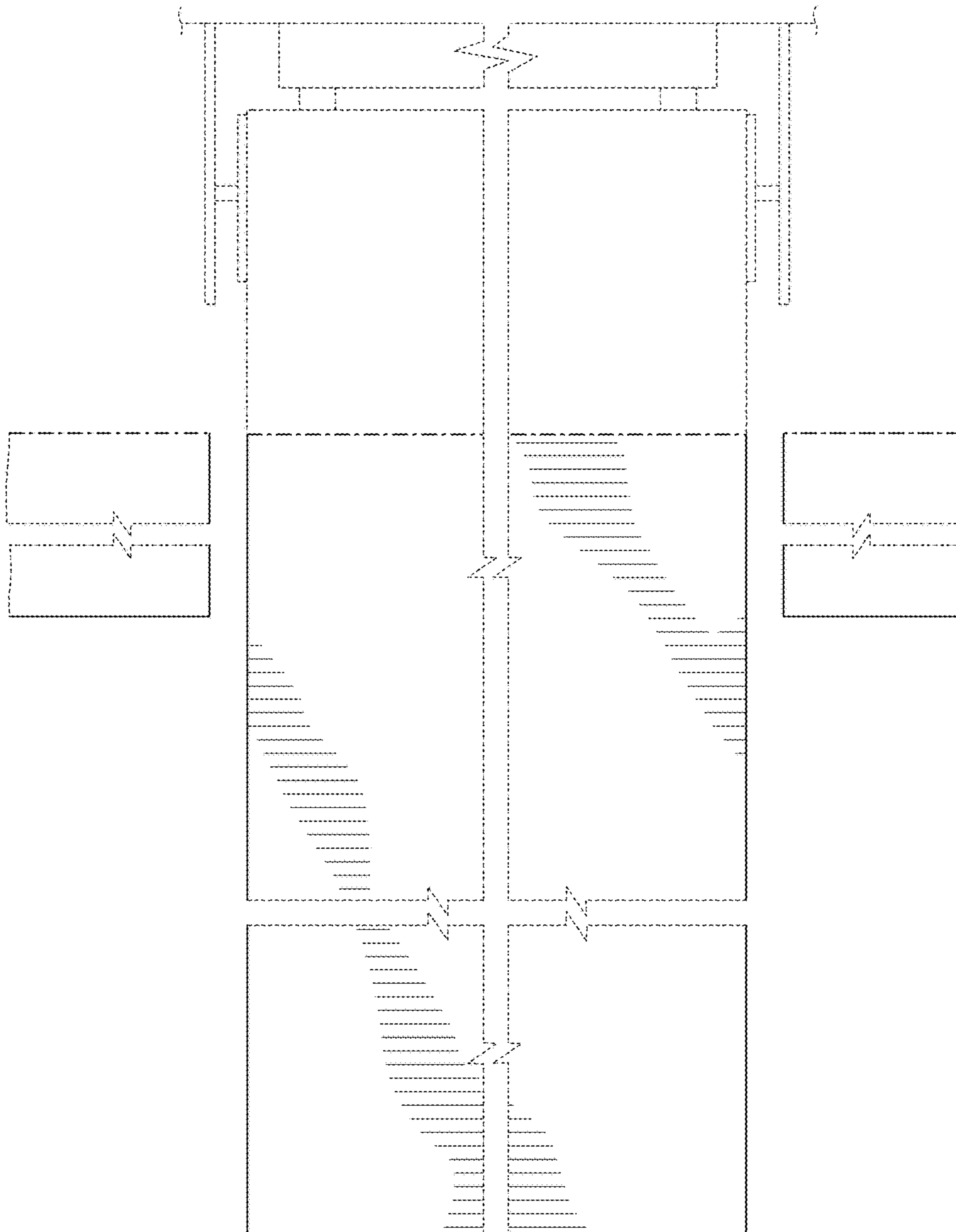
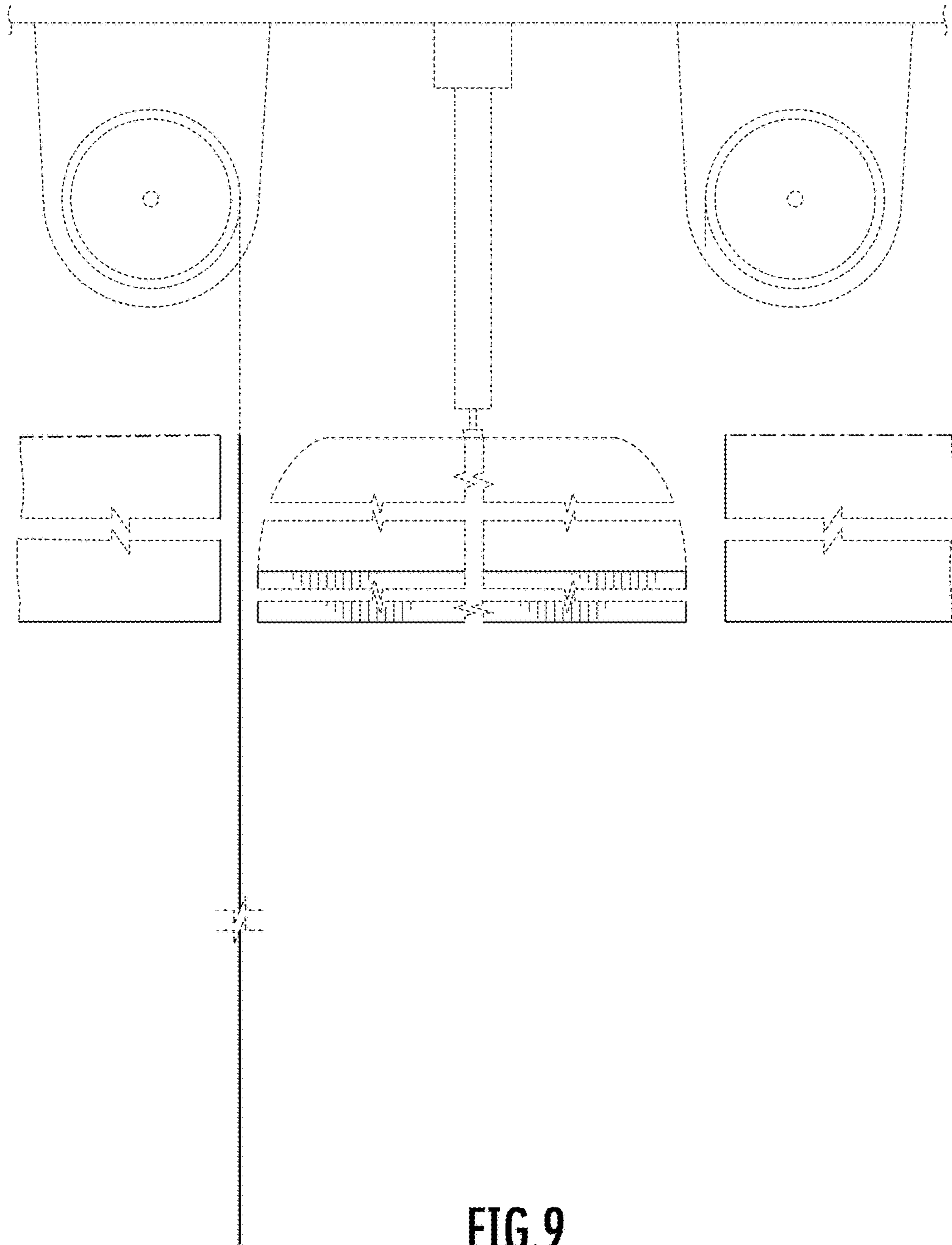


FIG. 7





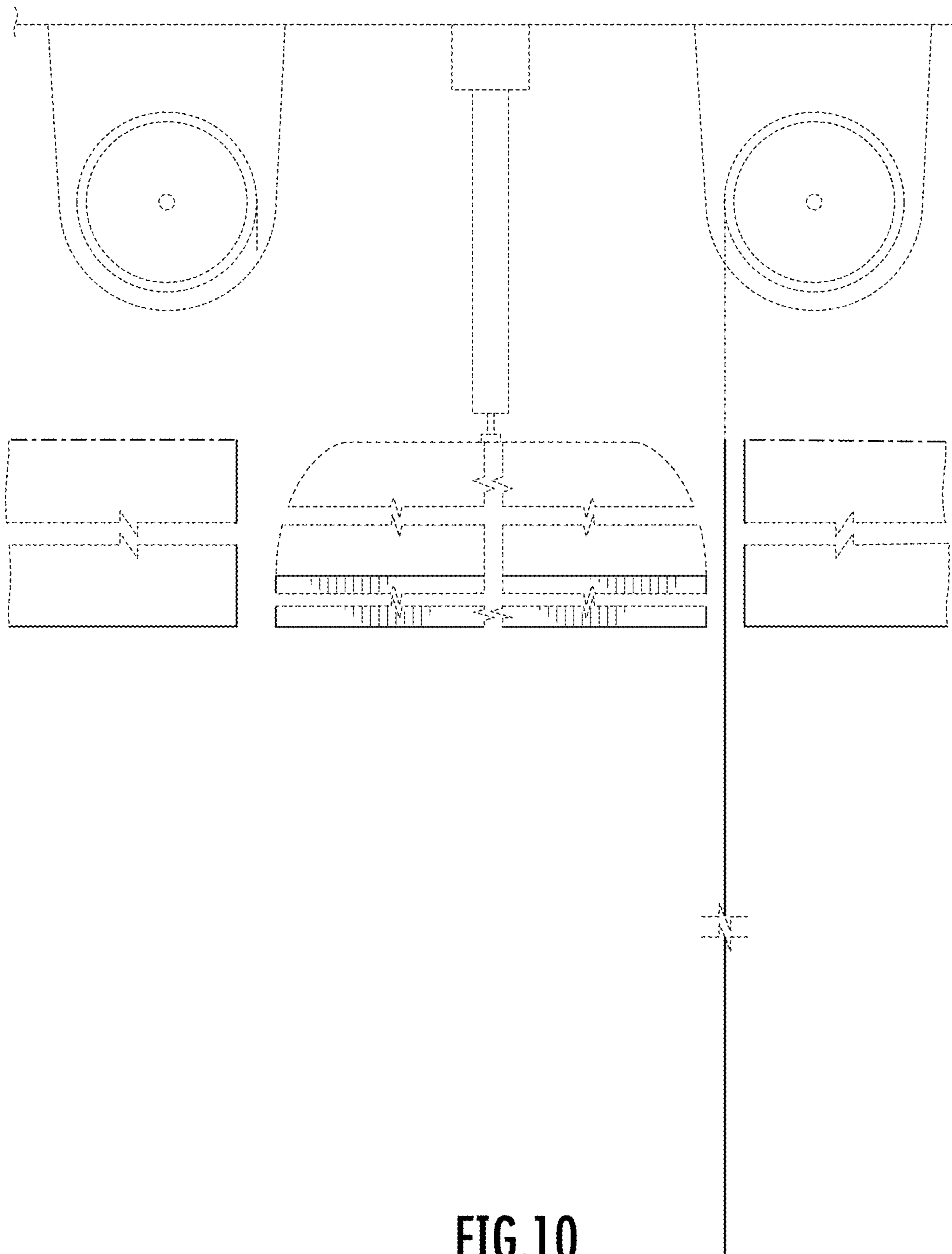


FIG. 10

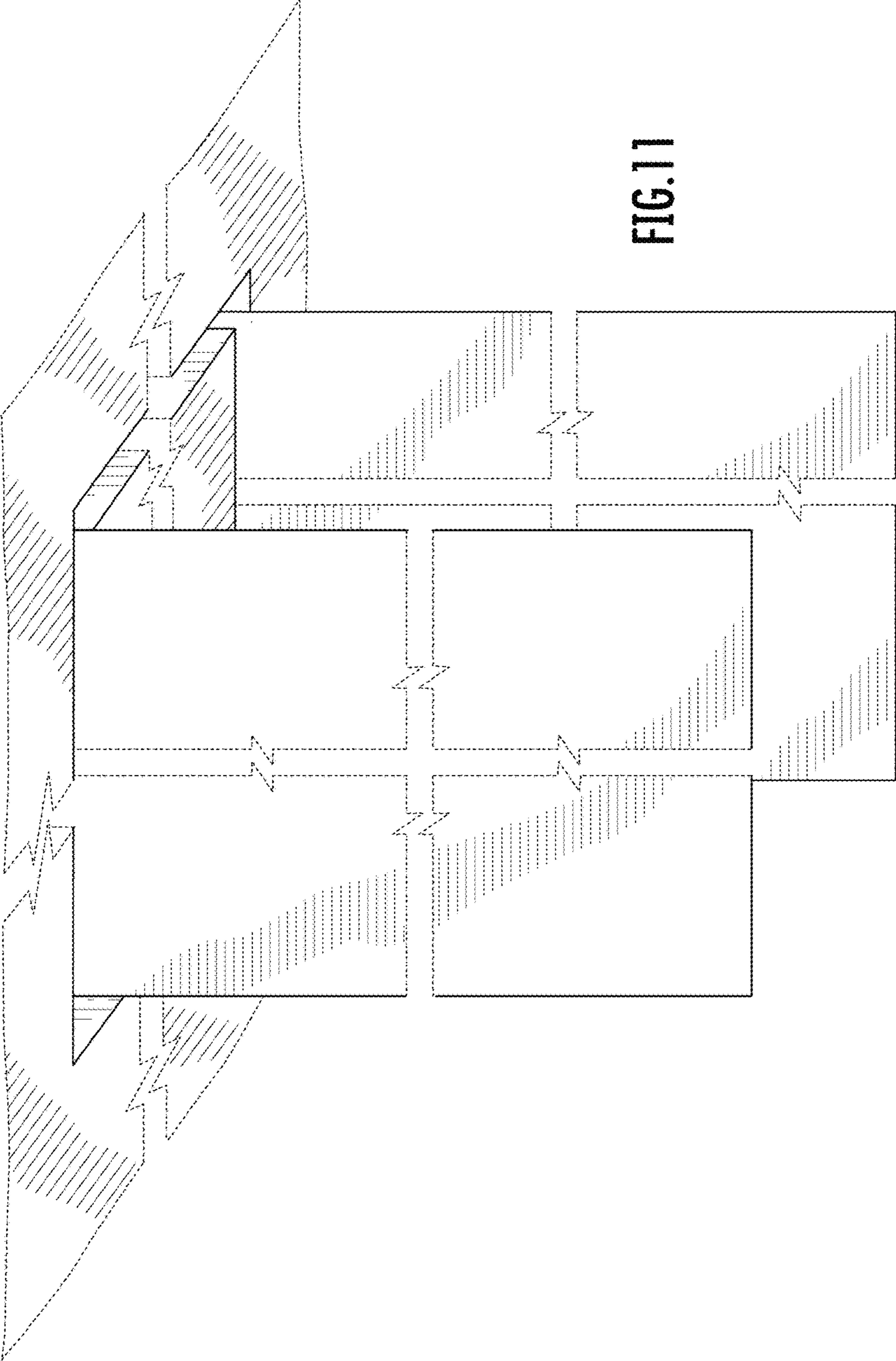


FIG. 11

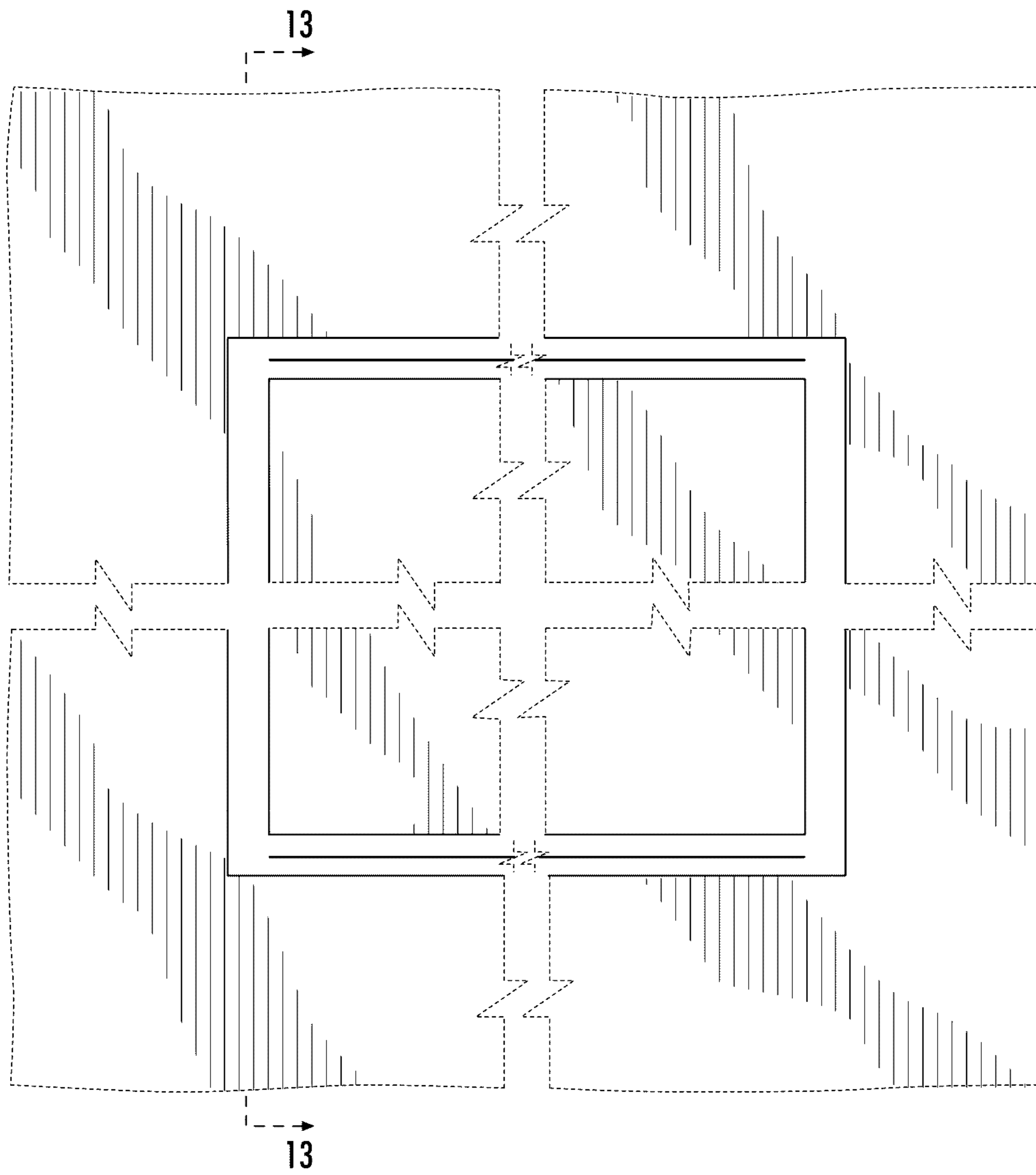


FIG.12

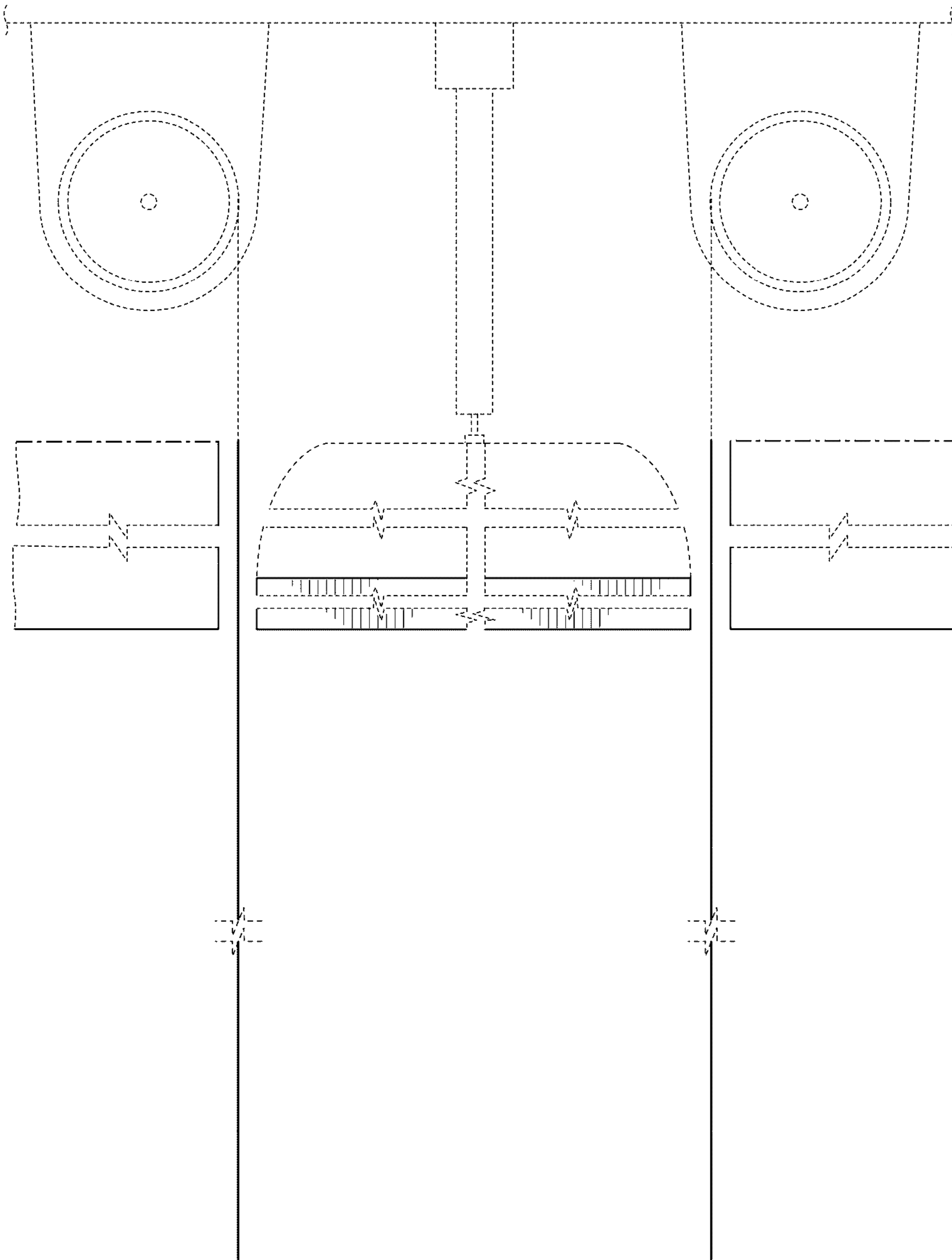


FIG. 13

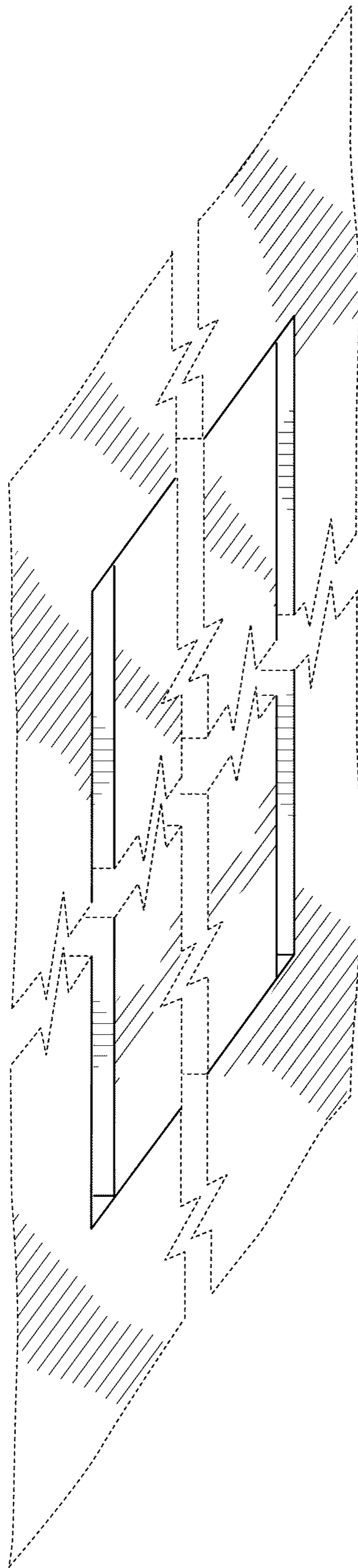


FIG.14



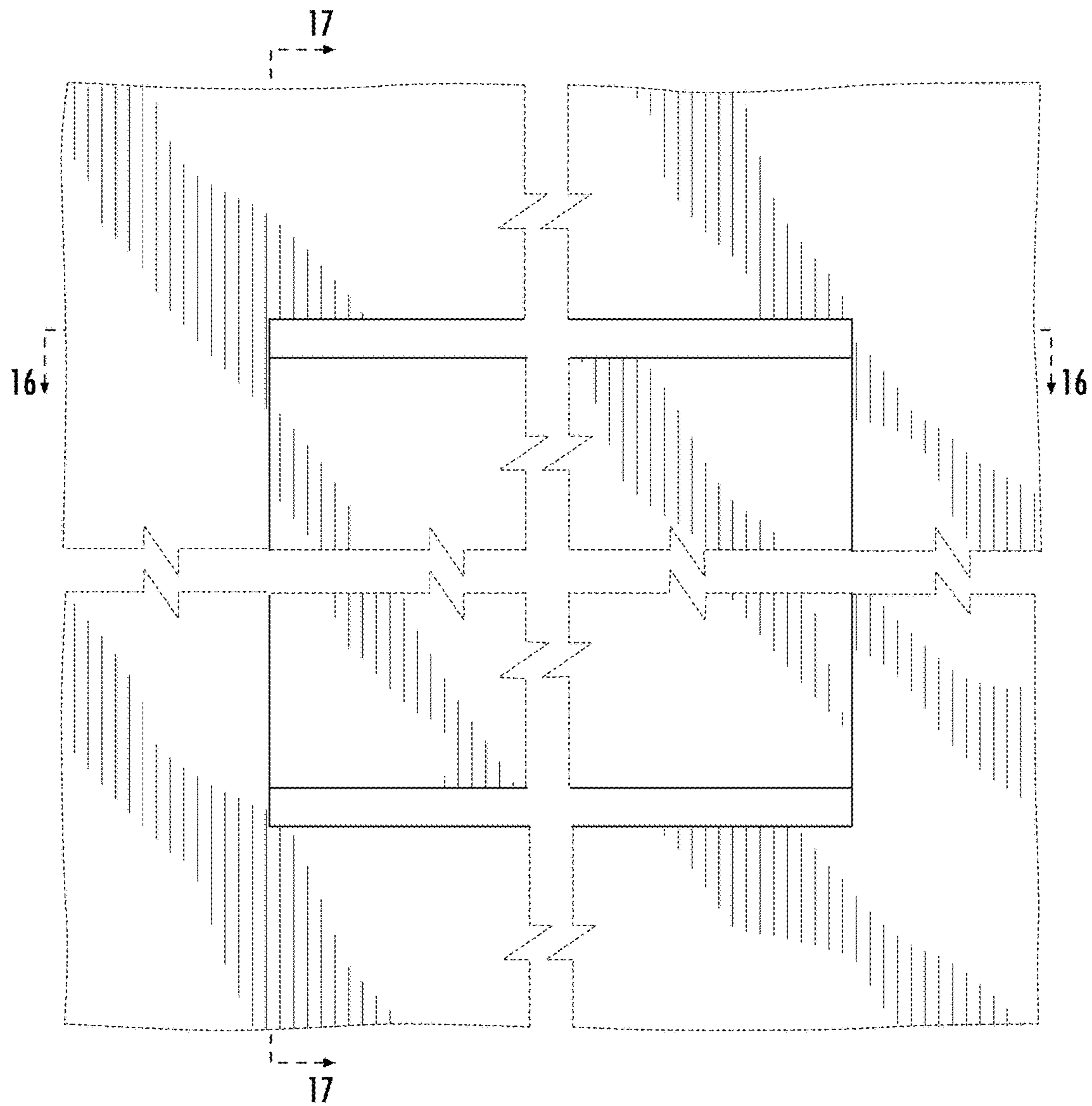


FIG. 15

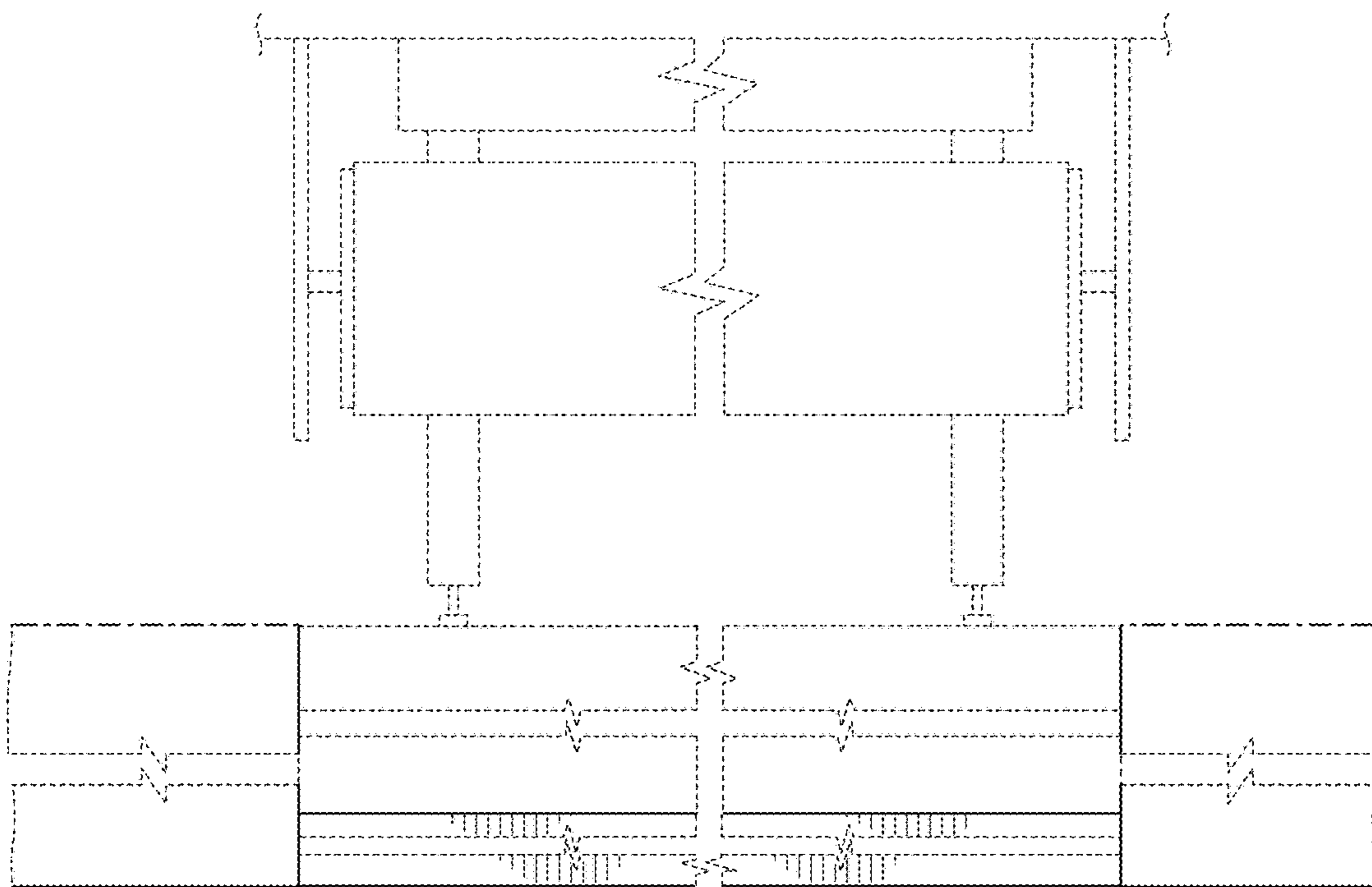


FIG.16

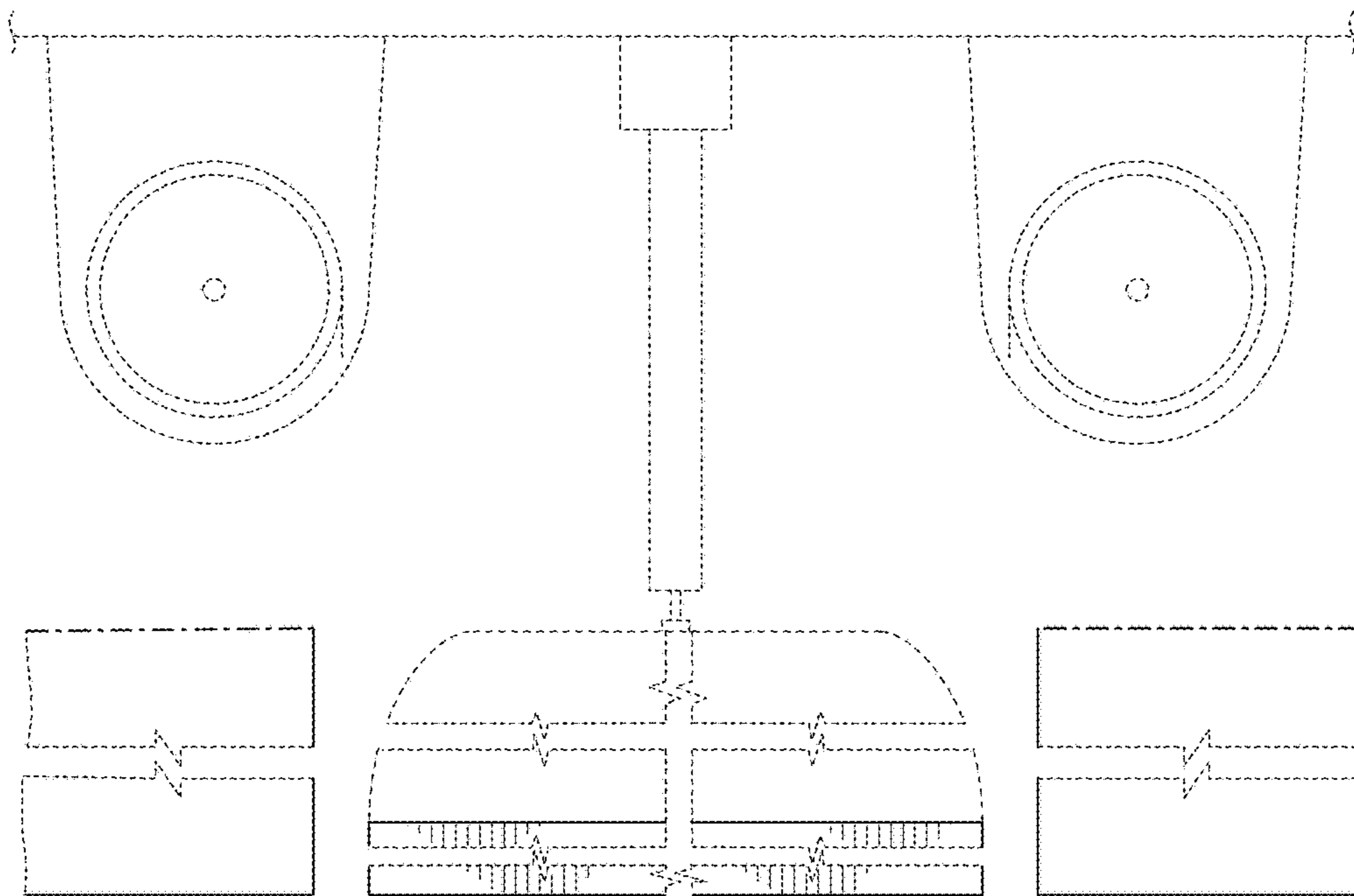


FIG. 17

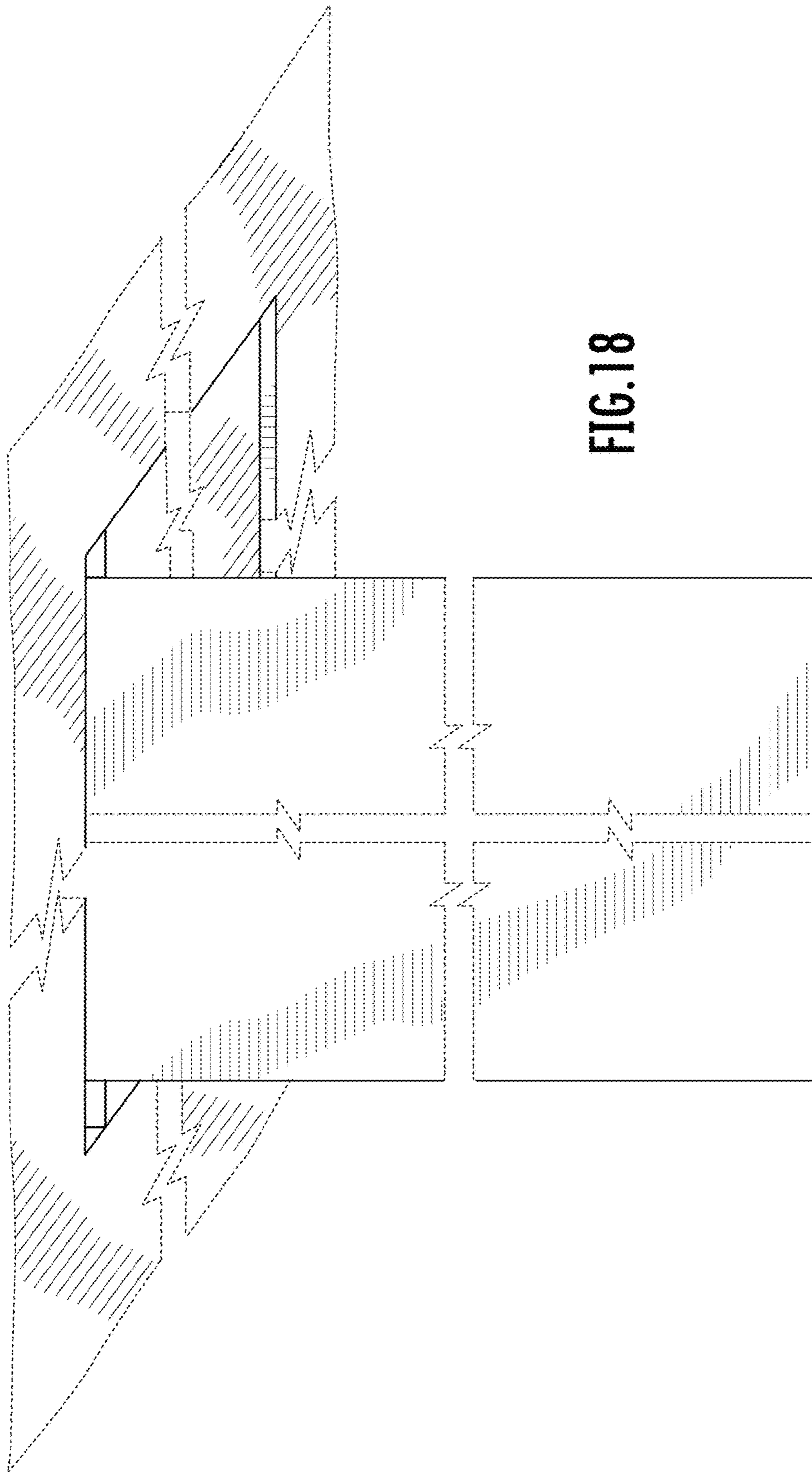
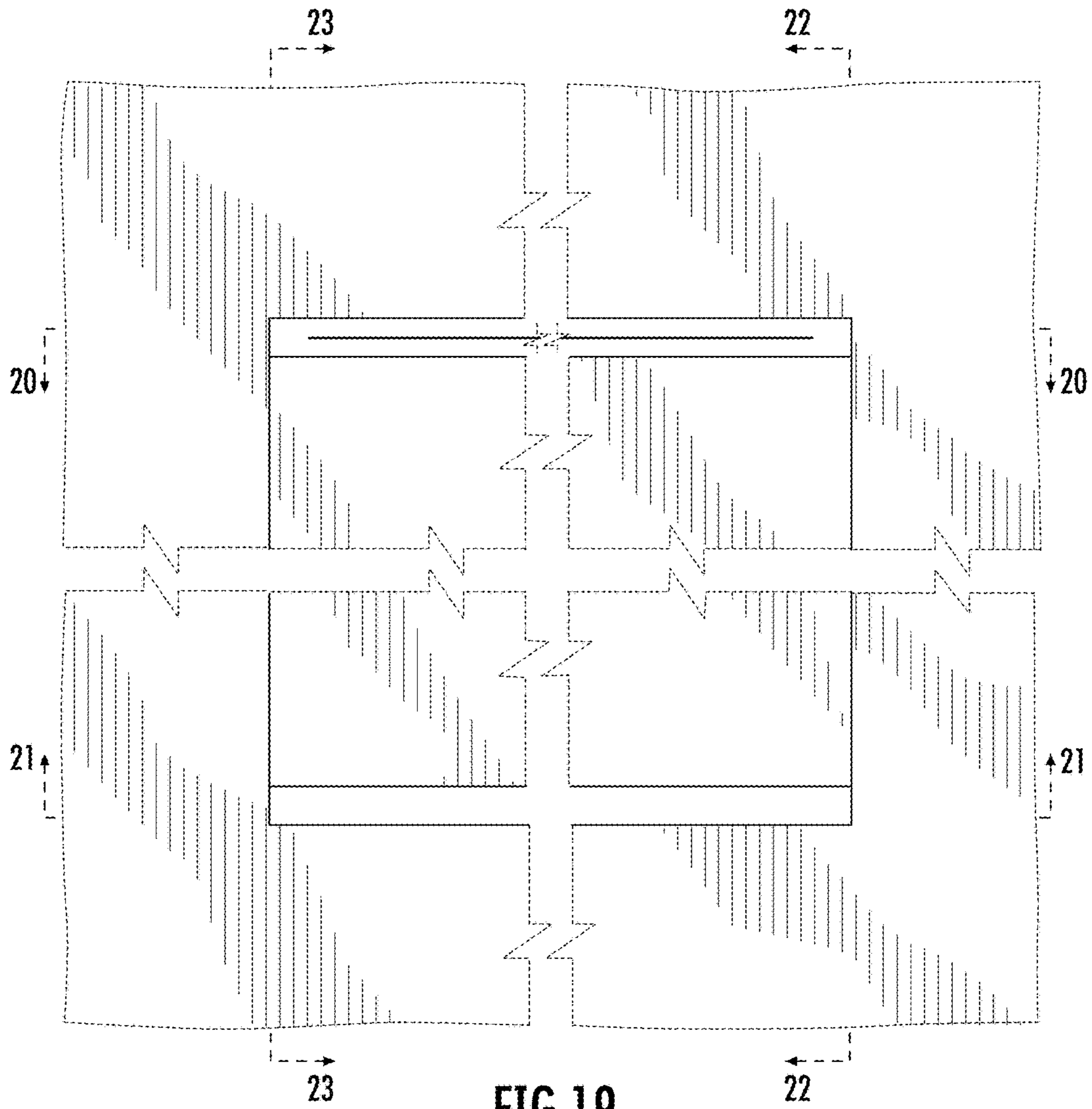


FIG. 18



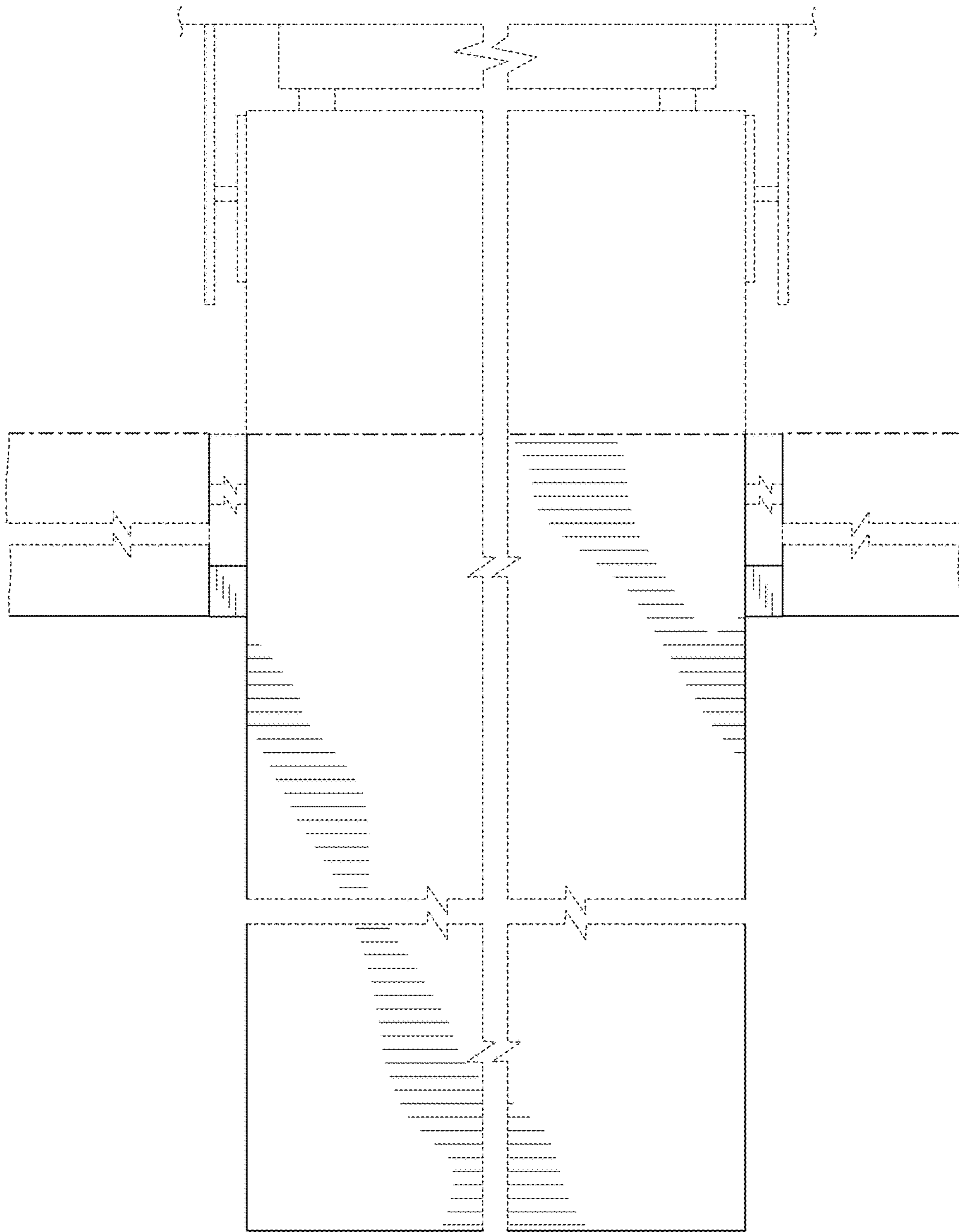


FIG. 20

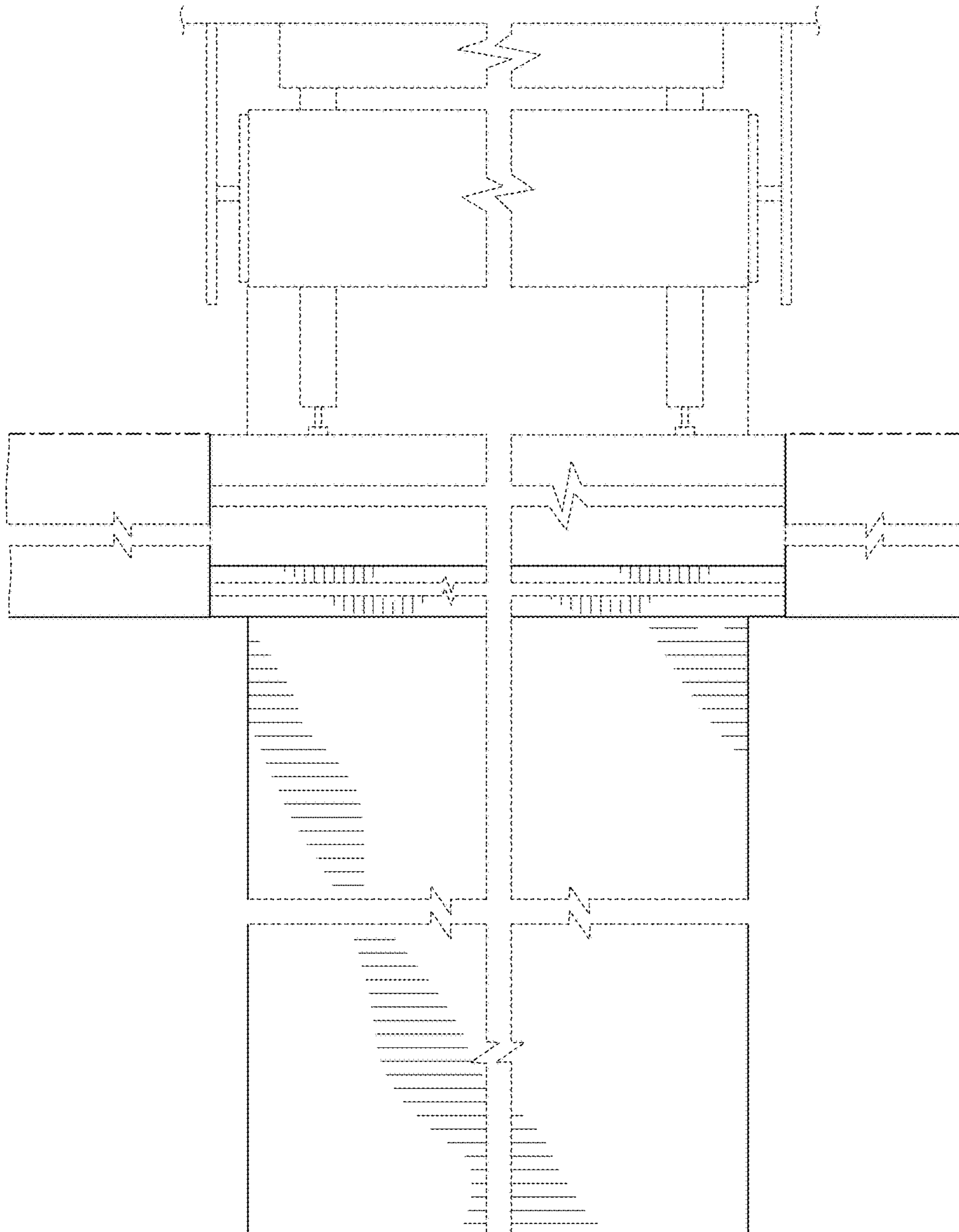


FIG. 21

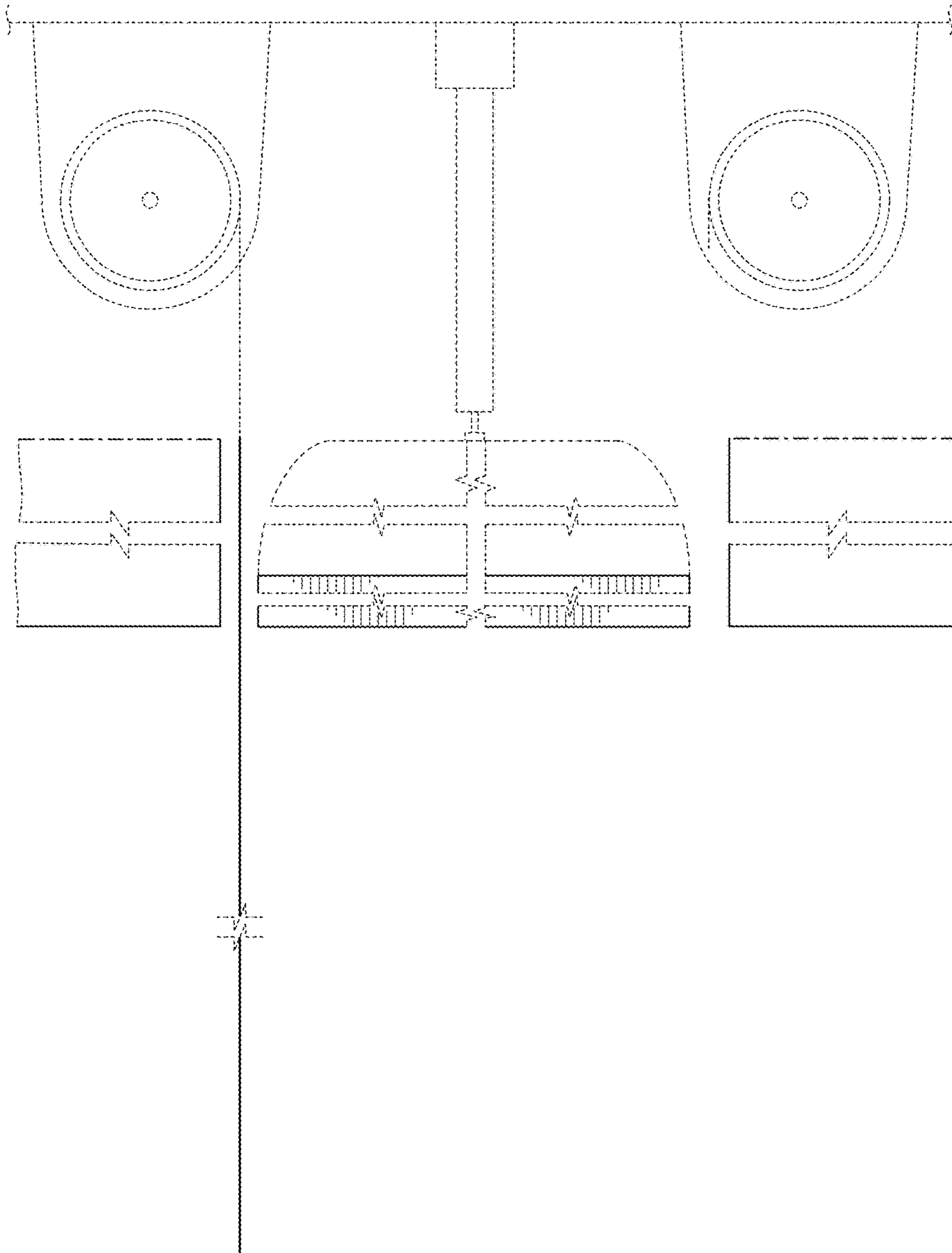


FIG.22



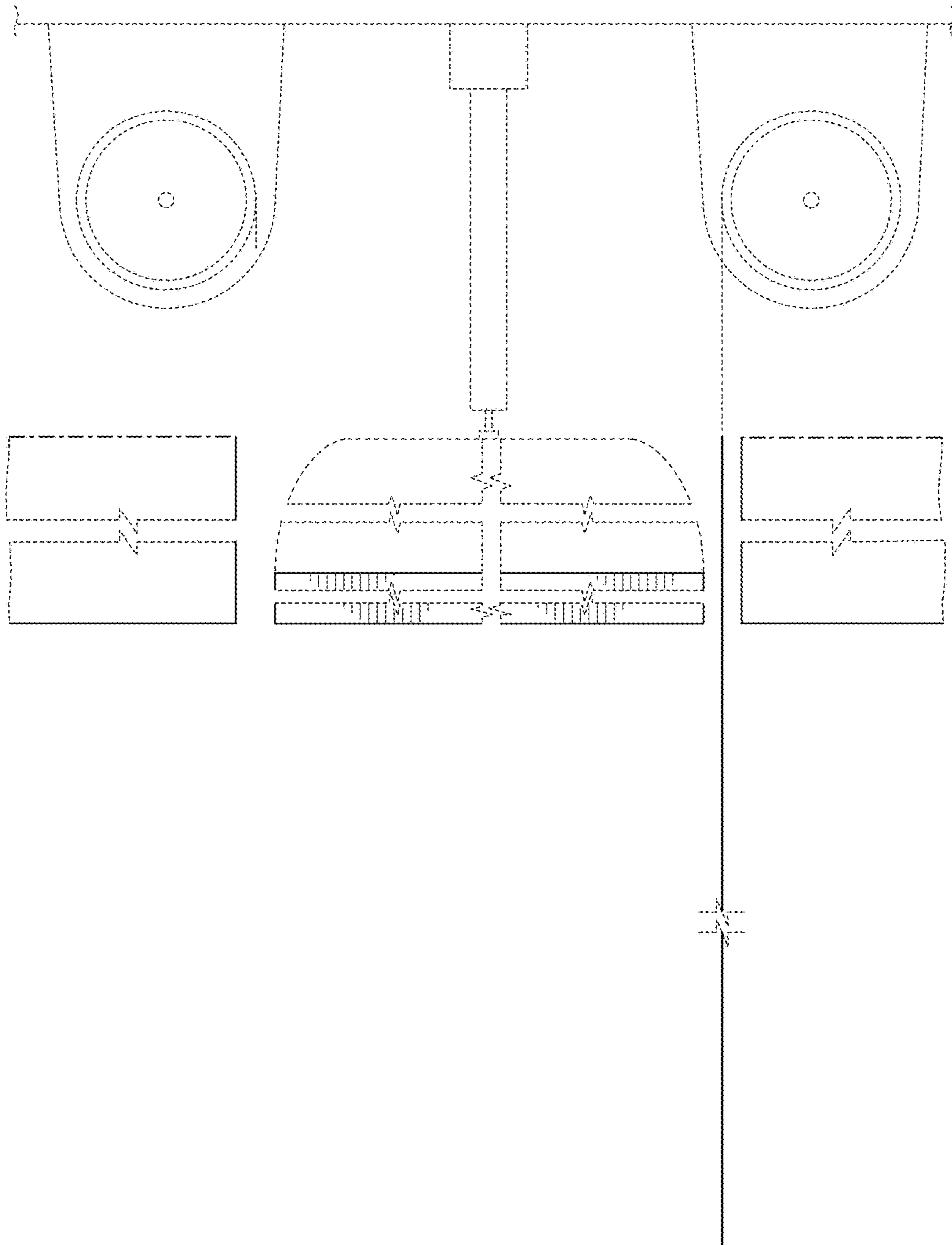


FIG.23

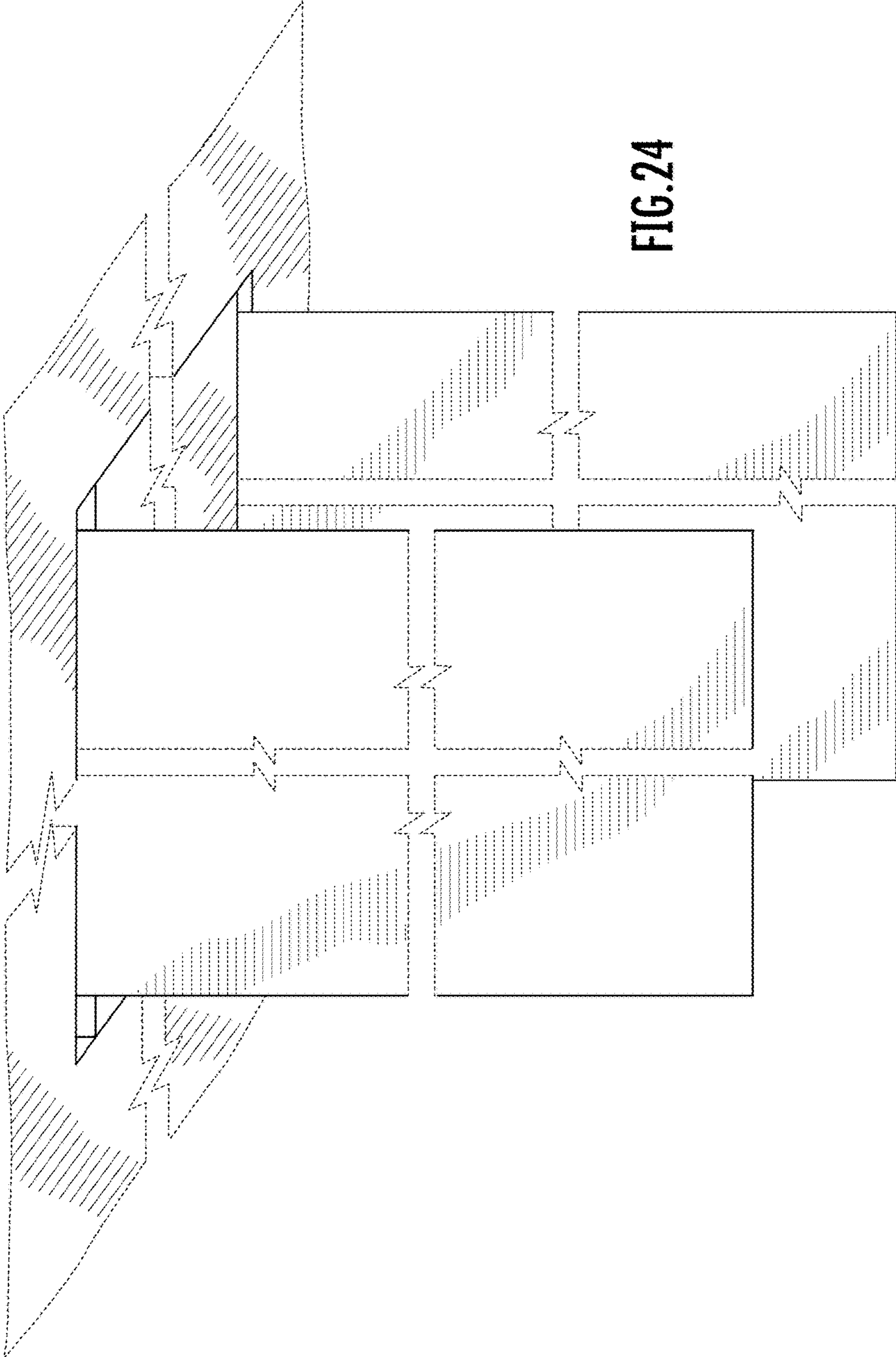


FIG. 24

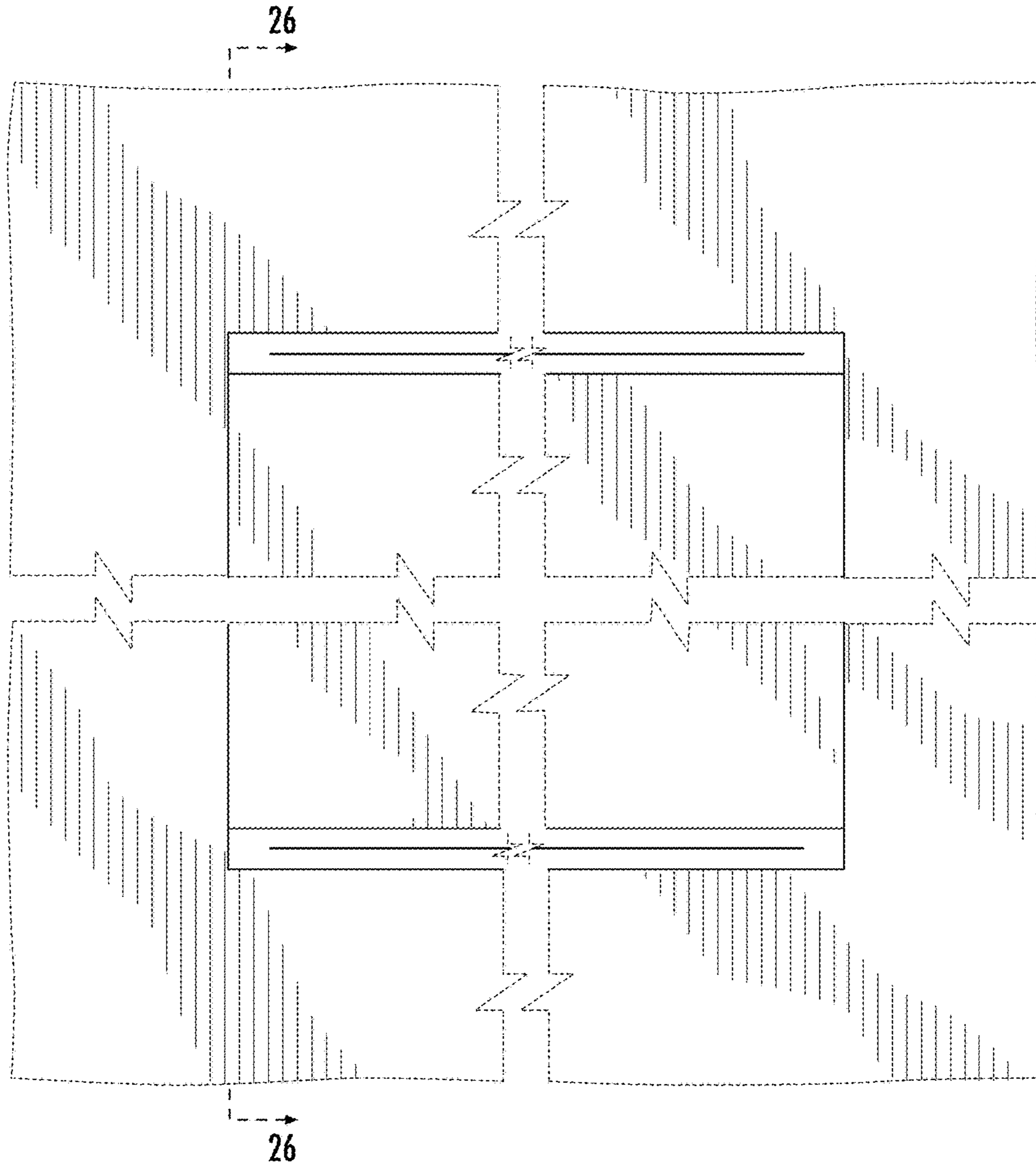


FIG. 25

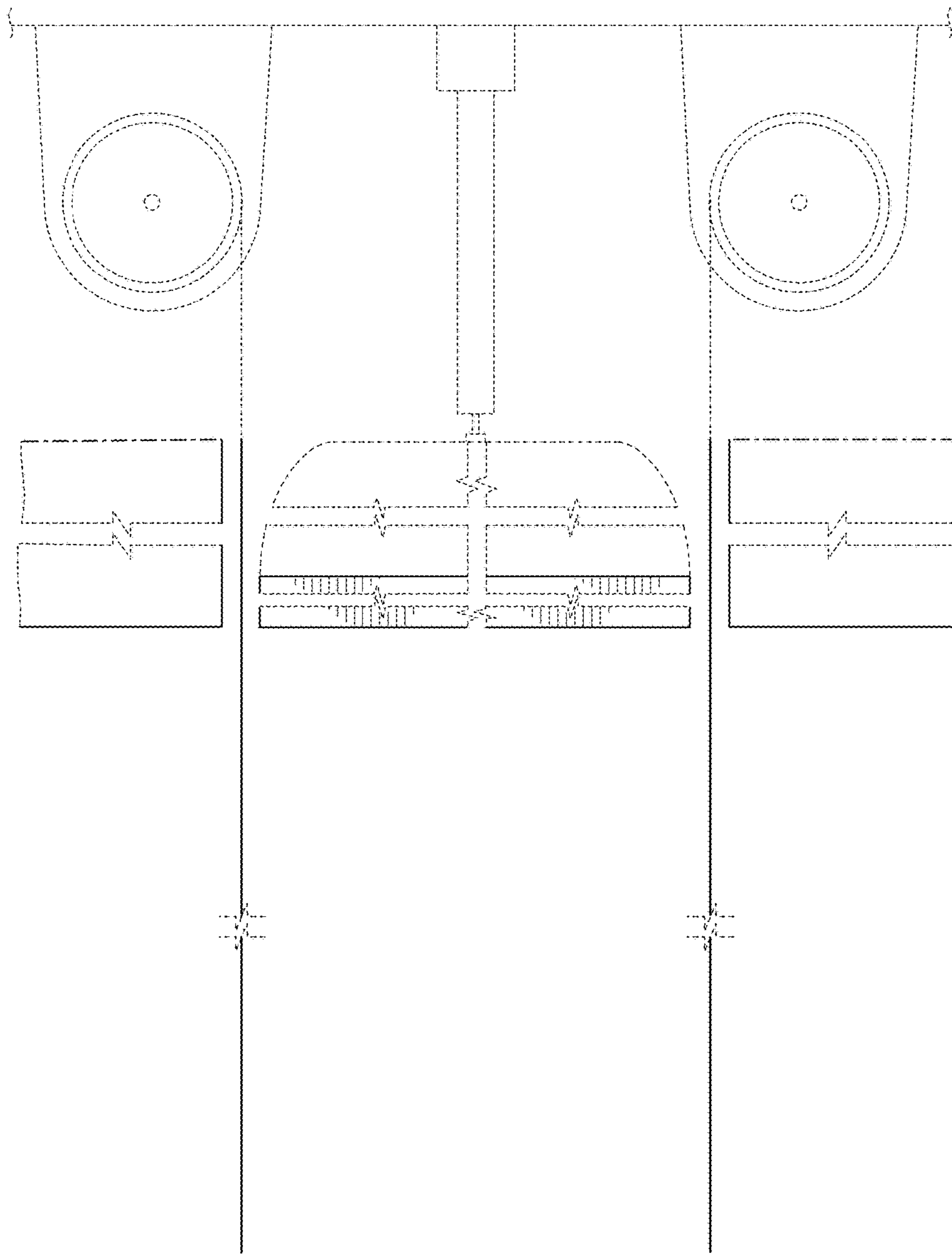


FIG.26