



US00D776455S

(12) **United States Design Patent** (10) **Patent No.:** **US D776,455 S**
Guthrie et al. (45) **Date of Patent:** **** Jan. 17, 2017**

(54) **TOILET PLUNGER HOLDER**

(71) Applicant: **LAVELLE INDUSTRIES, INC.**,
Burlington, WI (US)

(72) Inventors: **Kevin J. Guthrie**, Wind Lake, WI
(US); **Michael Dean**, Genoa City, WI
(US)

(73) Assignee: **Lavelle Industries, Inc.**, Burlington,
WI (US)

(**) Term: **15 Years**

(21) Appl. No.: **29/544,961**

(22) Filed: **Nov. 9, 2015**

(51) **LOC (10) Cl.** **06-04**

(52) **U.S. Cl.**
USPC **D6/524**

(58) **Field of Classification Search**
USPC D6/524, 525, 551; 4/255.05, 255.11;
206/207, 349, 361; 312/206, 207
CPC E03D 9/00; A47K 17/00
See application file for complete search history.

(56) **References Cited**

U.S. PATENT DOCUMENTS

D419,019 S *	1/2000	Shafik	D6/551
D423,844 S *	5/2000	Bruns	D6/524
D515,858 S *	2/2006	Hay	D6/524
D630,034 S *	1/2011	Raven	D6/524
D680,779 S *	4/2013	Tronconi	D6/524

D690,959 S *	10/2013	Yang	D6/524
2005/0173277 A1 *	8/2005	Rich	A47K 17/00 206/349
2013/0180874 A1 *	7/2013	Yang	A47K 11/10 206/349

* cited by examiner

Primary Examiner — Wan Laymon

Assistant Examiner — Mark Booker

(74) *Attorney, Agent, or Firm* — Joseph S. Heino; James
E. Lowe

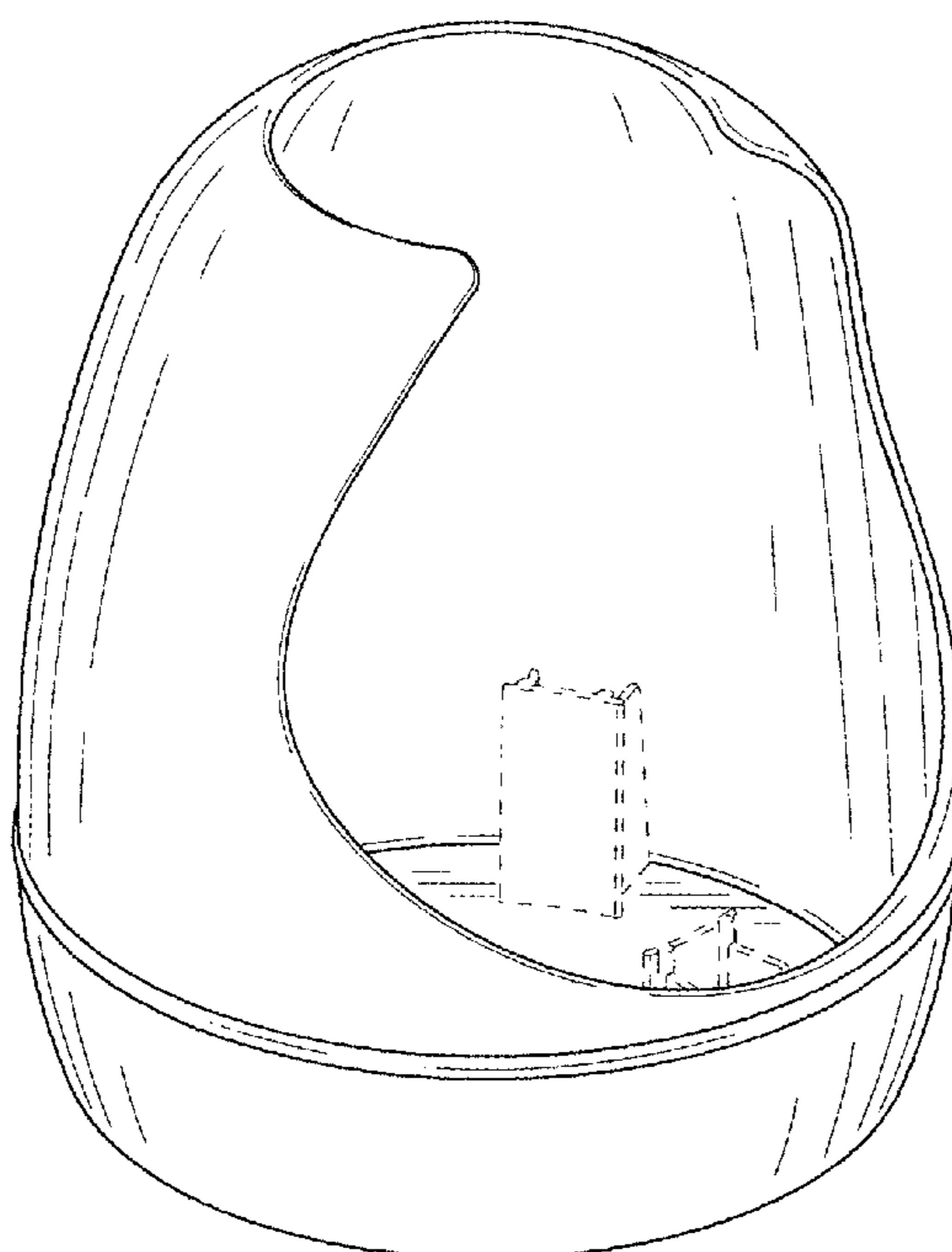
(57) **CLAIM**

The ornamental design for a toilet plunger holder, as shown
and described.

DESCRIPTION

FIG. 1 is a front, top and left side perspective view of the
toilet plunger holder showing our new design;
FIG. 2 is a front elevational view thereof;
FIG. 3 is a left side elevational view thereof;
FIG. 4 is a right side elevational view thereof, the right side
elevational view being a mirror image of the left side
elevational view;
FIG. 5 is a rear elevational view thereof;
FIG. 6 is a top plan view thereof;
FIG. 7 is a bottom plan view thereof; and,
FIG. 8 is another perspective view showing the toilet
plunger holder with a toilet plunger.
The broken lines shown in the figures represent portions of
the toilet plunger holder that form no part of the claimed
design.

1 Claim, 5 Drawing Sheets



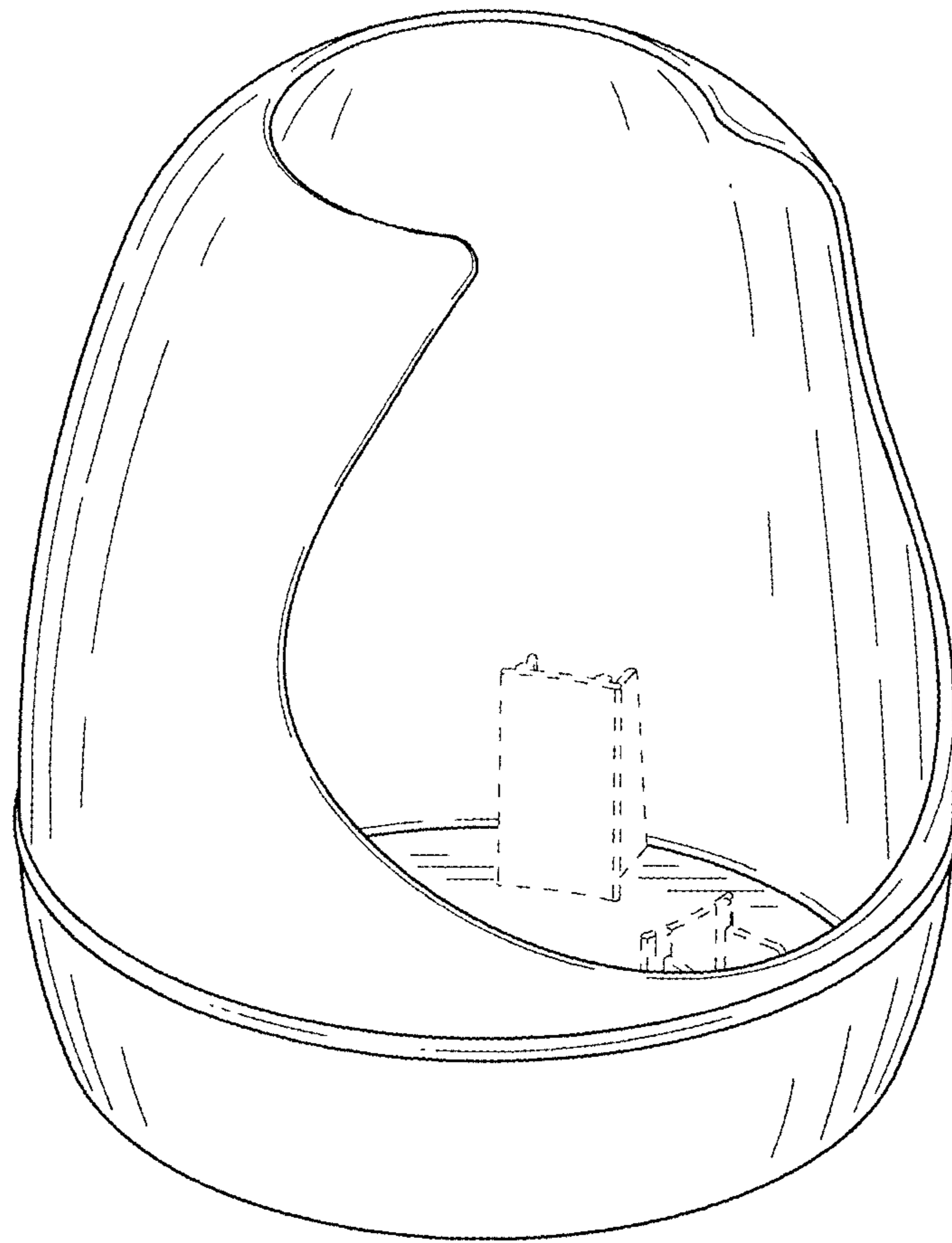


FIG. 1

FIG. 2

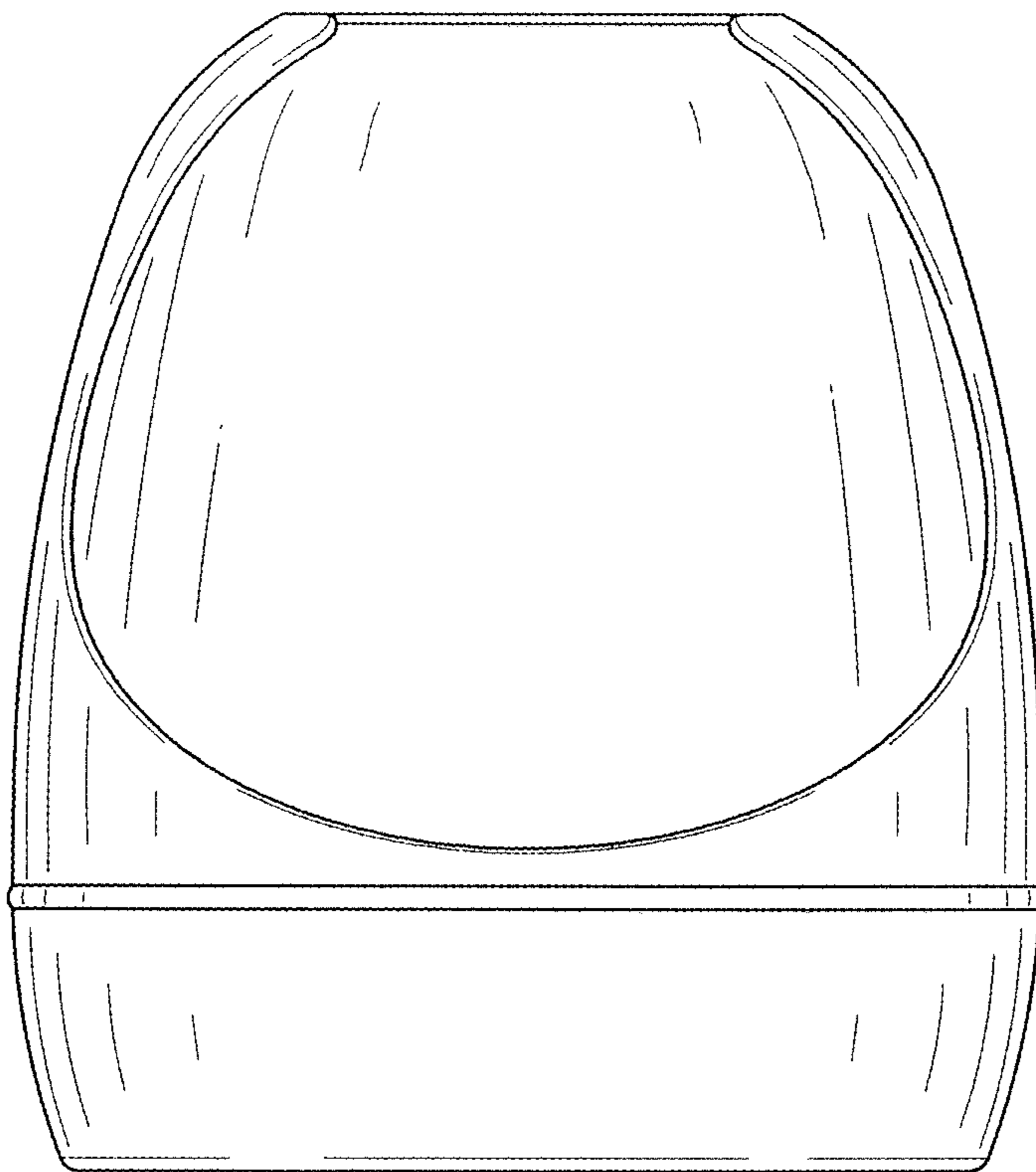


FIG. 3

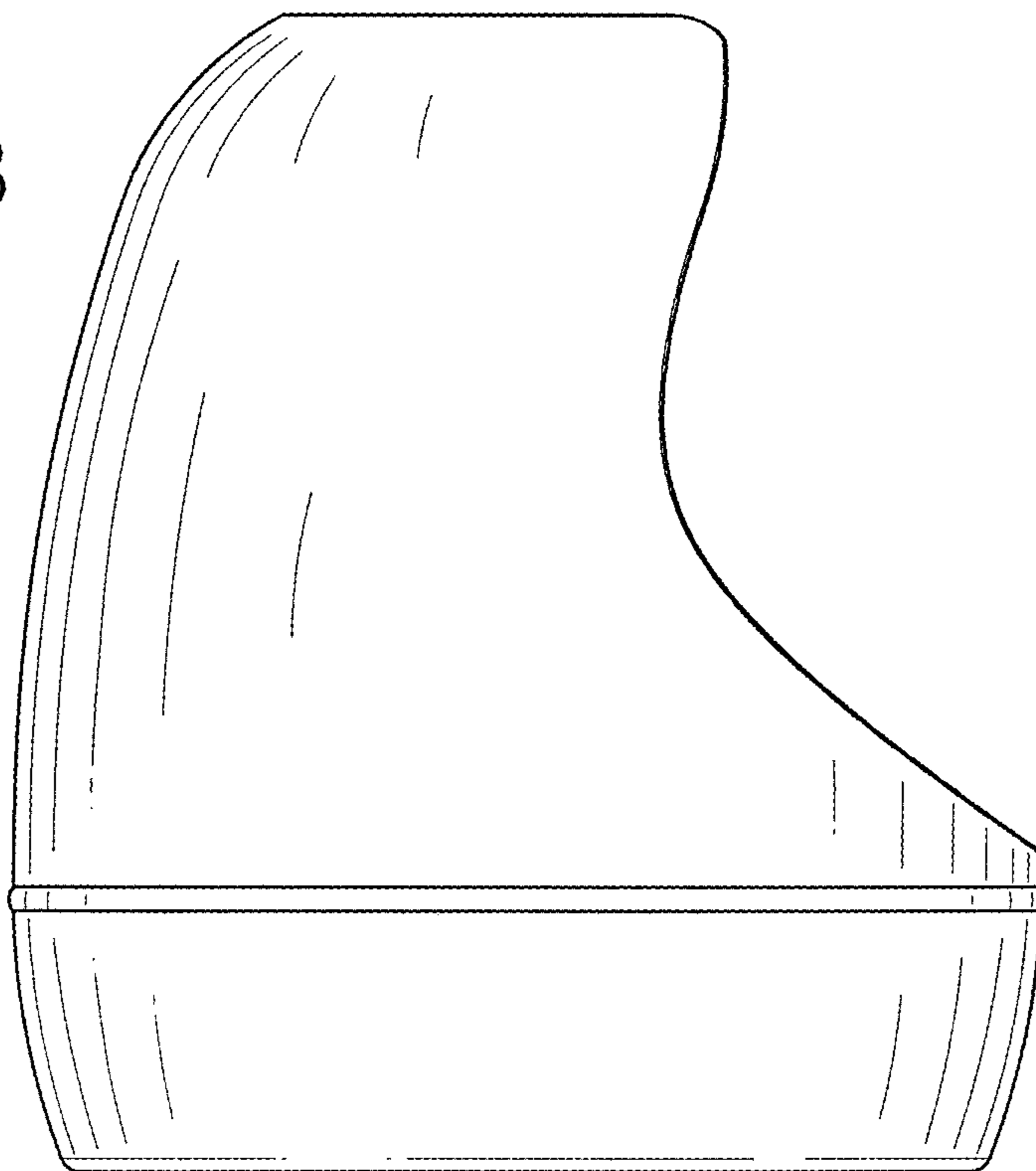


FIG. 4

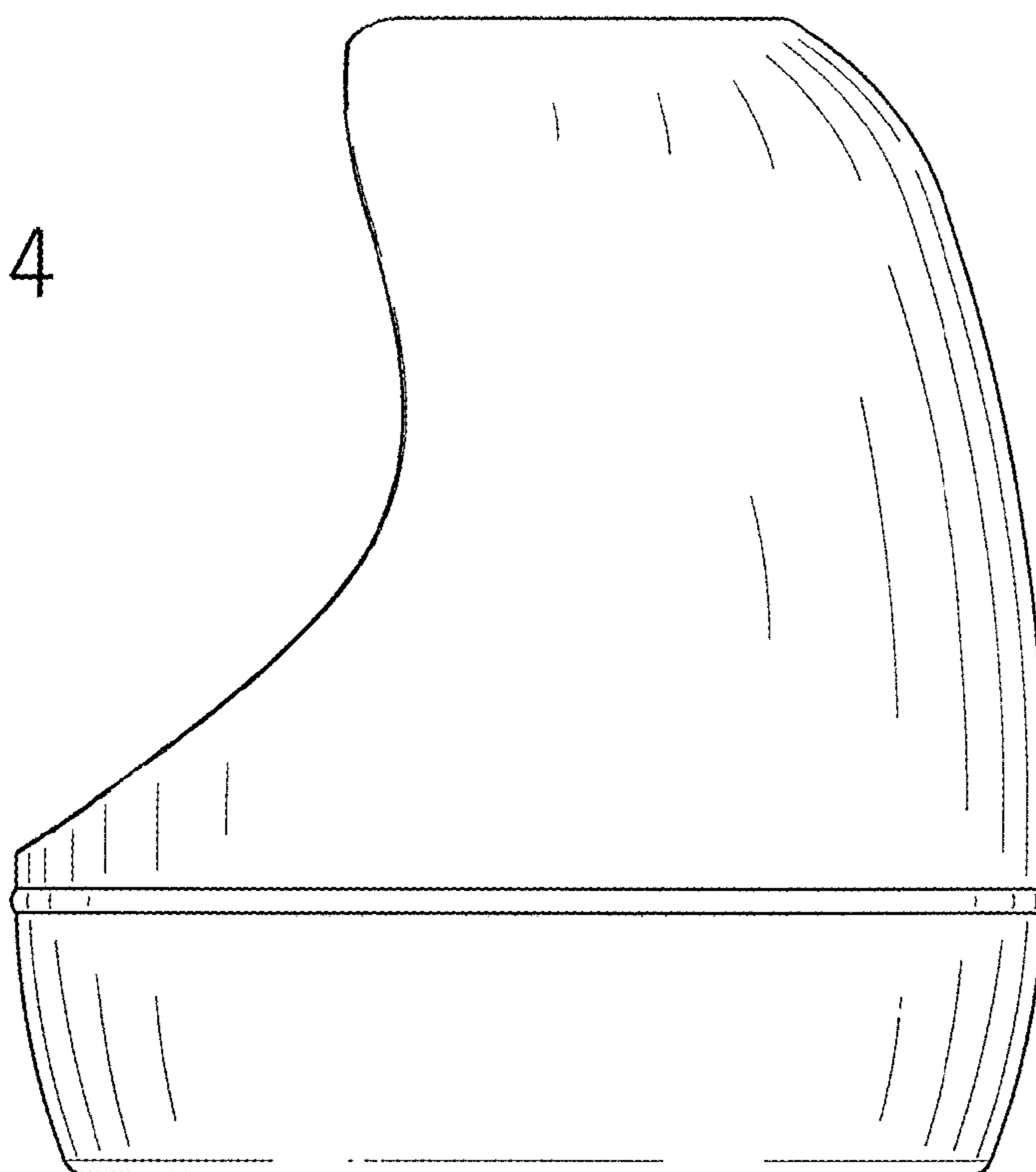


FIG. 5

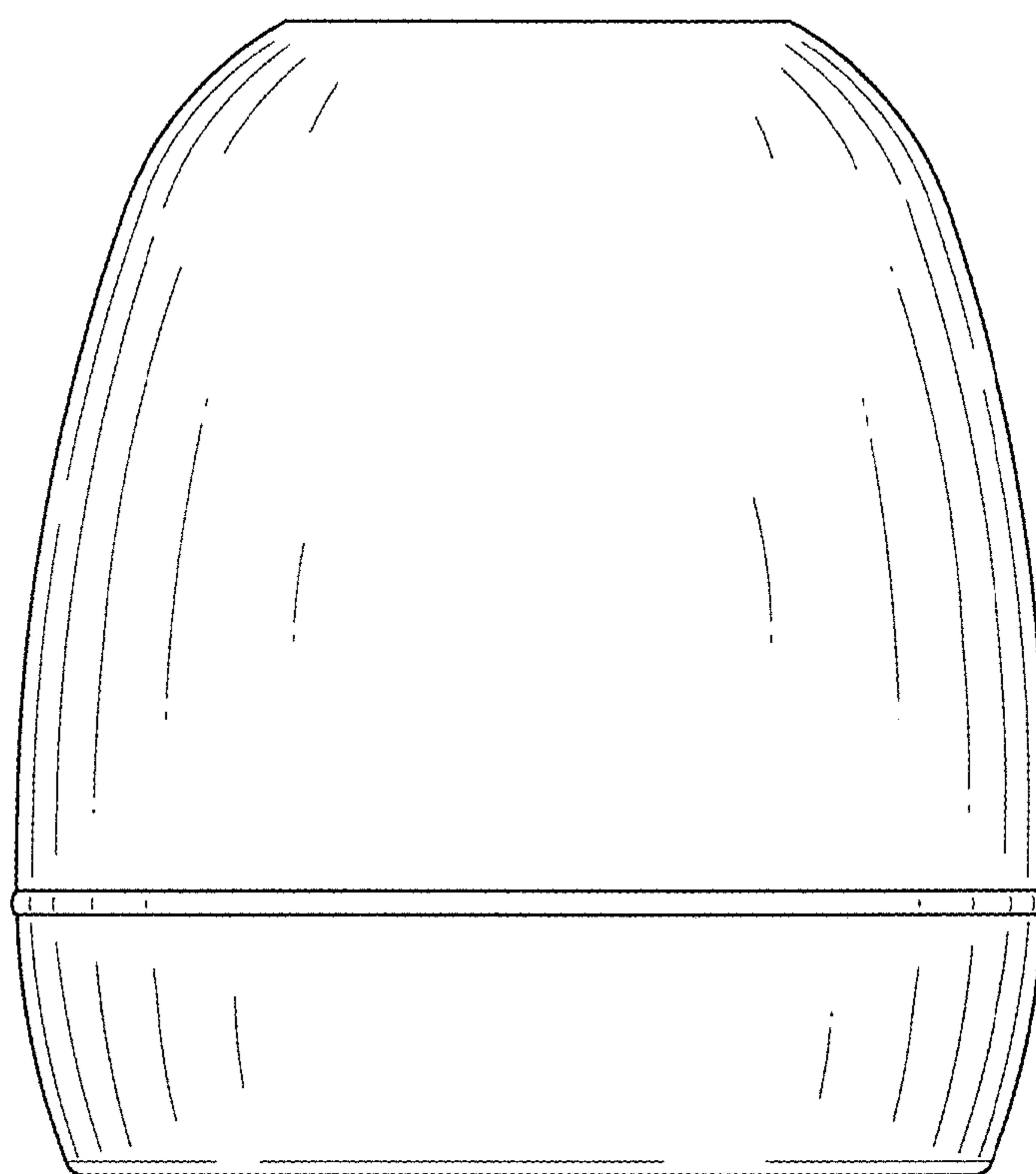


FIG. 6

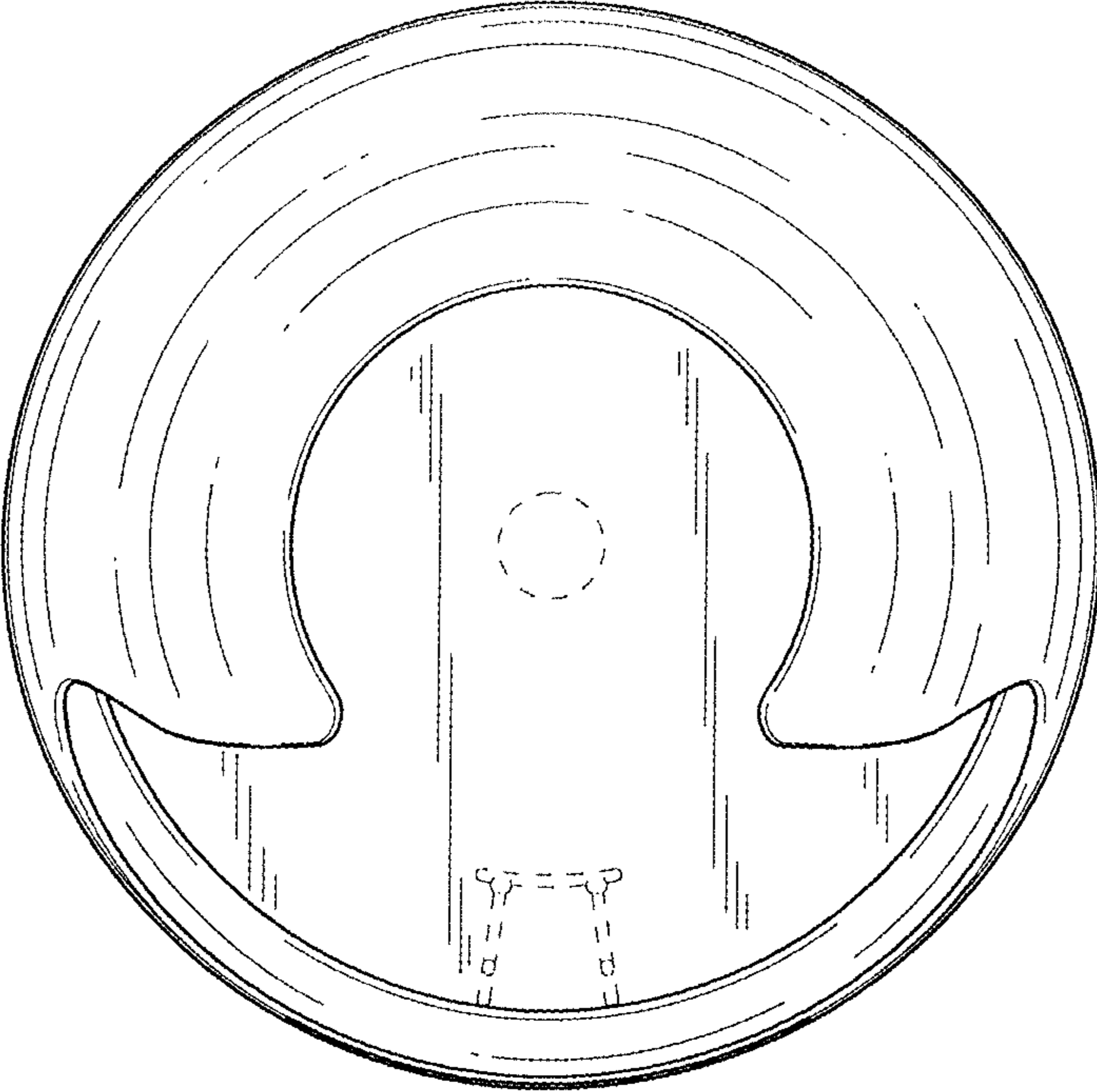
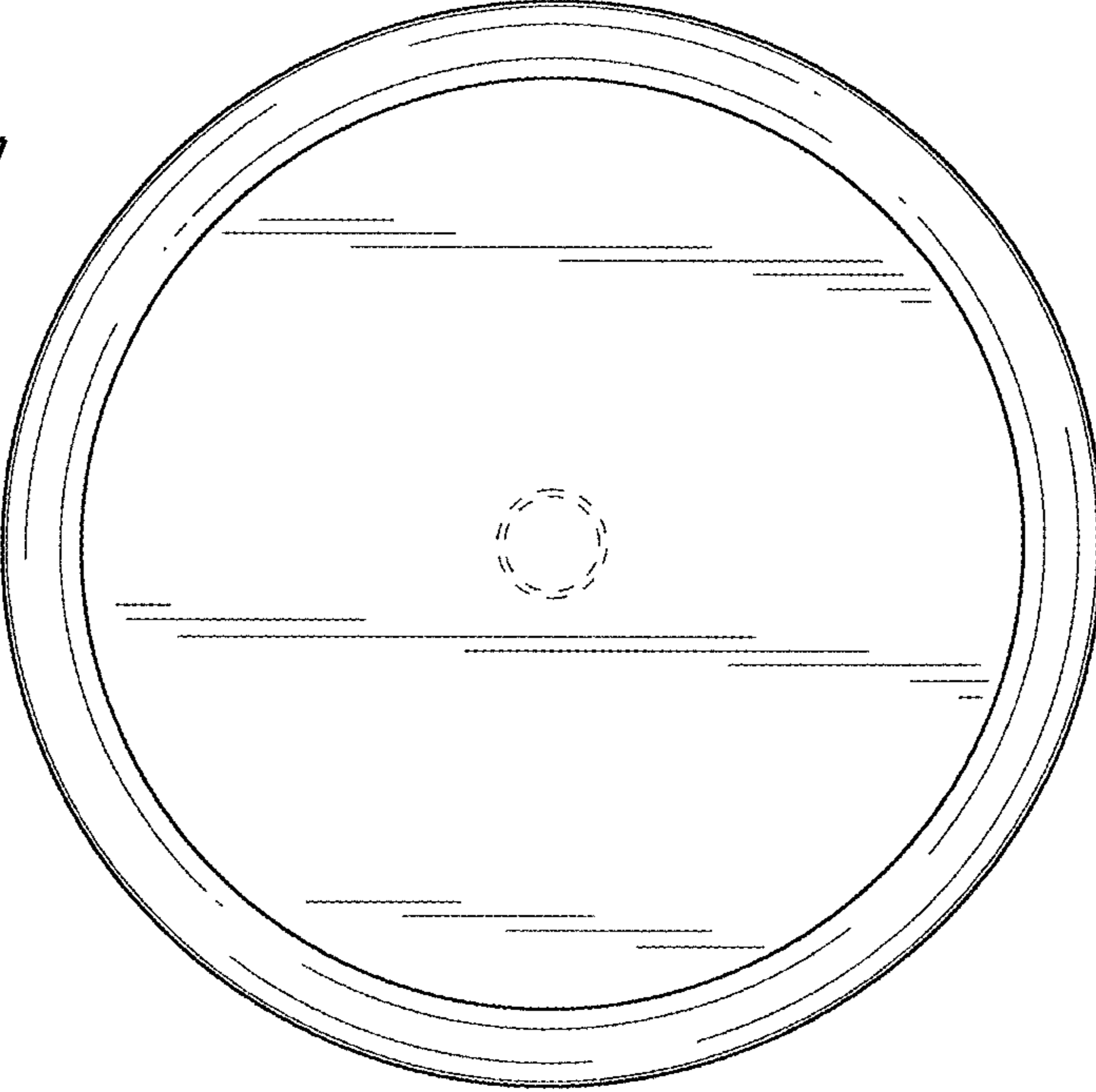


FIG. 7



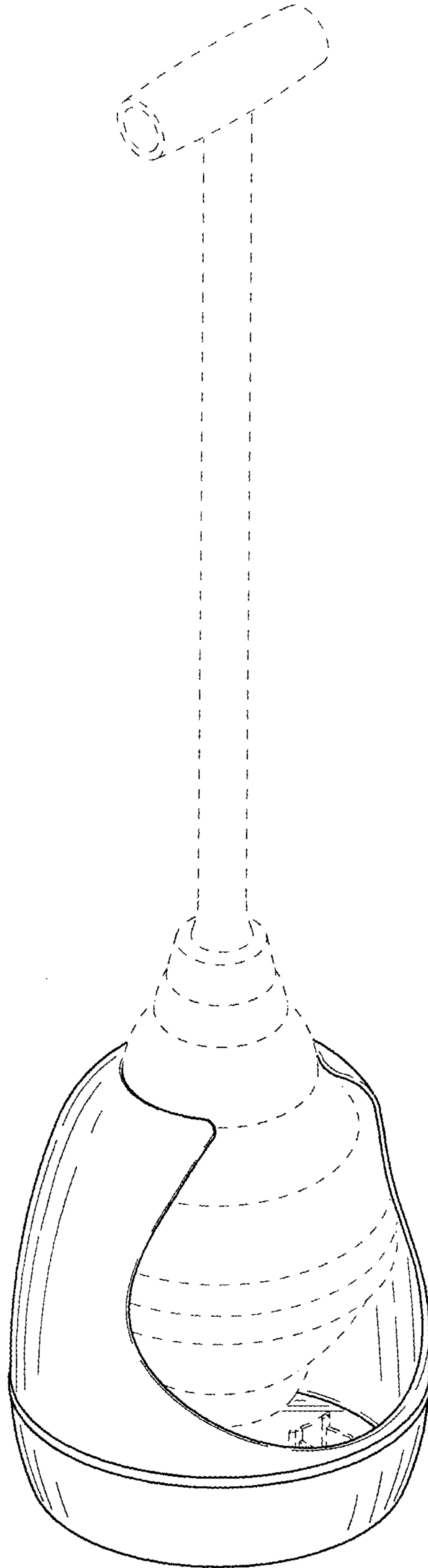


FIG. 8