



US00D776452S

(12) **United States Design Patent** (10) **Patent No.:** **US D776,452 S**
Glaser (45) **Date of Patent:** **** Jan. 17, 2017**

(54) **MULTI-POSITION WORK-SURFACE**
(71) Applicant: **GCX Corporation**, Petaluma, CA (US)
(72) Inventor: **Robert Peter Glaser**, Corte Madera, CA (US)
(73) Assignee: **GCX CORPORATION**, Petaluma, CA (US)
(**) Term: **14 Years**
(21) Appl. No.: **29/517,109**
(22) Filed: **Feb. 10, 2015**
(51) **LOC (10) Cl.** **06-06**
(52) **U.S. Cl.**
USPC **D6/406.3**
(58) **Field of Classification Search**
USPC D6/406.1-406.6, 421-422; D19/91-92;
D7/552.2, 554.3-554.4
CPC A47G 23/0608
See application file for complete search history.

(56) **References Cited**

U.S. PATENT DOCUMENTS

D225,290 S	*	12/1972	Torrey	D6/406.3
D267,513 S	*	1/1983	Weigel	5/81.1 R
D273,537 S	*	4/1984	Gerch	281/42
D288,876 S	*	3/1987	Goetz	D6/675
D335,227 S	*	5/1993	Lapsker	D14/142
D359,398 S	*	6/1995	Jaykus	D12/415
D364,290 S	*	11/1995	Watts	D6/675
5,692,815 A	*	12/1997	Murphy	G06F 3/0395
					108/26
D411,388 S	*	6/1999	Sacco	D6/406.3
D499,574 S	*	12/2004	Spicer	D14/447
D666,174 S	*	8/2012	Du	D14/217
D684,157 S	*	6/2013	Chan	D14/434

(Continued)

Primary Examiner — Kelley Donnelly

(74) *Attorney, Agent, or Firm* — Michael A. Glenn; Perkins Coie LLP

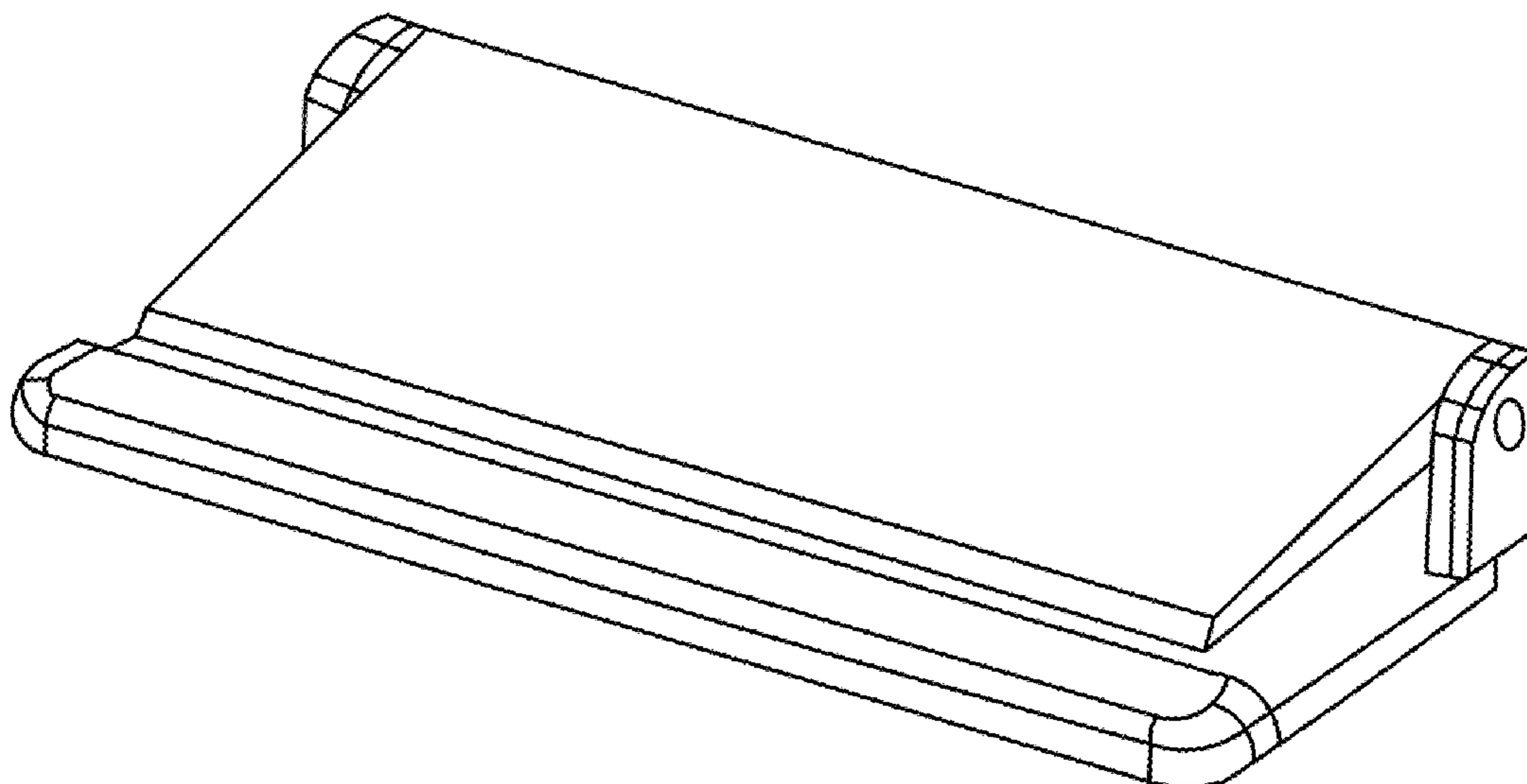
(57) **CLAIM**

The ornamental design for a multi-position work-surface, as shown and described.

DESCRIPTION

FIG. 1 is a front perspective view of a multi-position work-surface showing my new design in a first, closed position;
FIG. 2 is a top plan view thereof;
FIG. 3 is a front elevational view thereof;
FIG. 4 is a right side elevational view thereof, the left side being a mirror image thereof;
FIG. 5 is a rear elevational view thereof;
FIG. 6 is a bottom plan view thereof;
FIG. 7 is a front perspective view of a multi-position work-surface showing my new design in a second, partially open position;
FIG. 8 is a top plan view thereof;
FIG. 9 is a front elevational view thereof;
FIG. 10 is a right side elevational view thereof, the left side being a mirror image thereof;
FIG. 11 is a rear elevational view thereof;
FIG. 12 is a bottom plan view thereof;
FIG. 13 is a front perspective view of a multi-position work-surface showing my new design in a third, fully open position;
FIG. 14 is a top plan view thereof;
FIG. 15 is a front elevational view thereof;
FIG. 16 is a right side elevational view thereof, the left side being a mirror image thereof;
FIG. 17 is a rear elevational view thereof; and,
FIG. 18 is a bottom plan view thereof.
Any broken lines shown are included solely for the purpose of illustrating the unclaimed portions of the article and form no part of the claim.

1 Claim, 9 Drawing Sheets



(56)

References Cited

U.S. PATENT DOCUMENTS

D690,308 S * 9/2013 McCoy D14/458
D723,830 S * 3/2015 Tcholakov D6/406.6

* cited by examiner

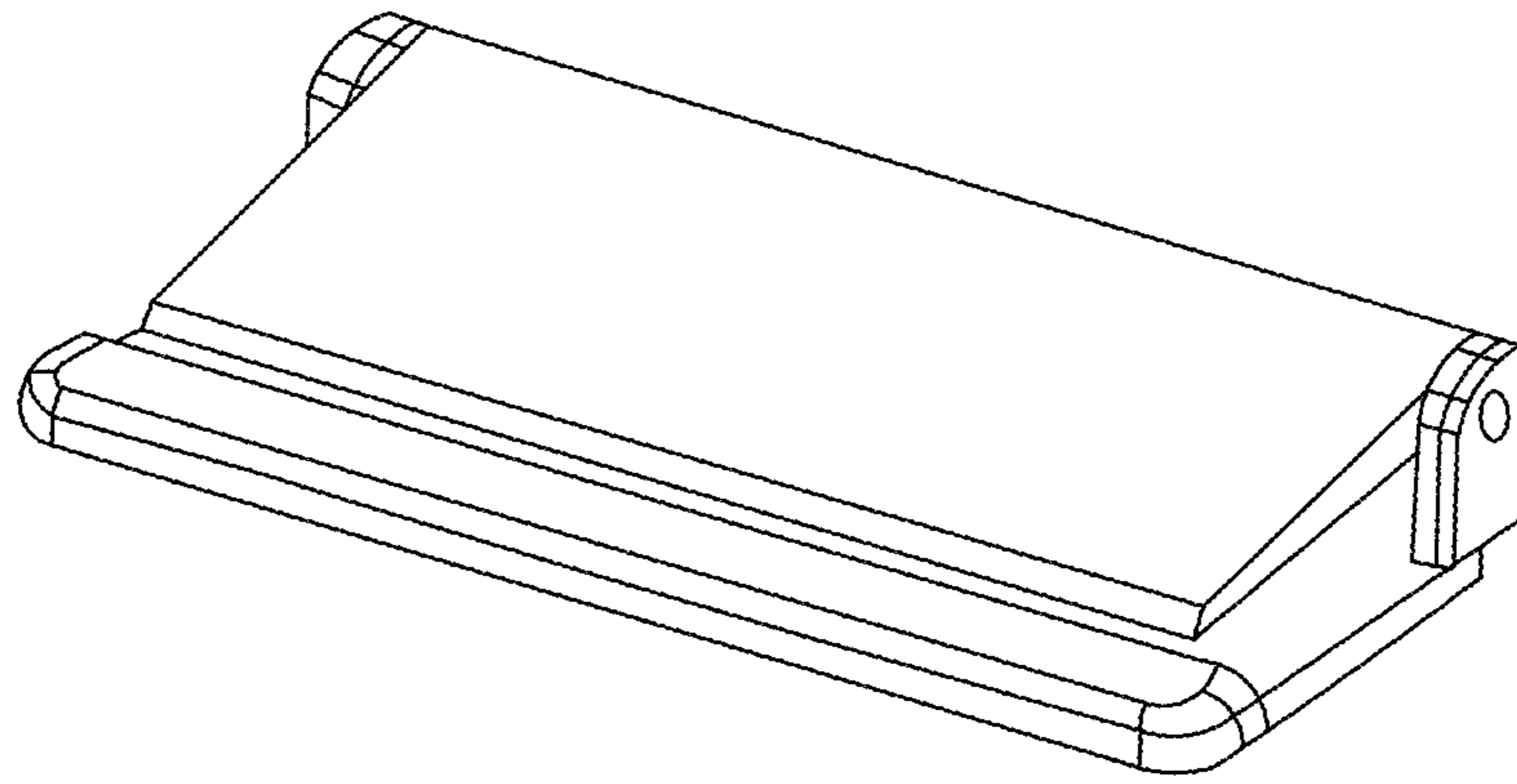


FIG. 1

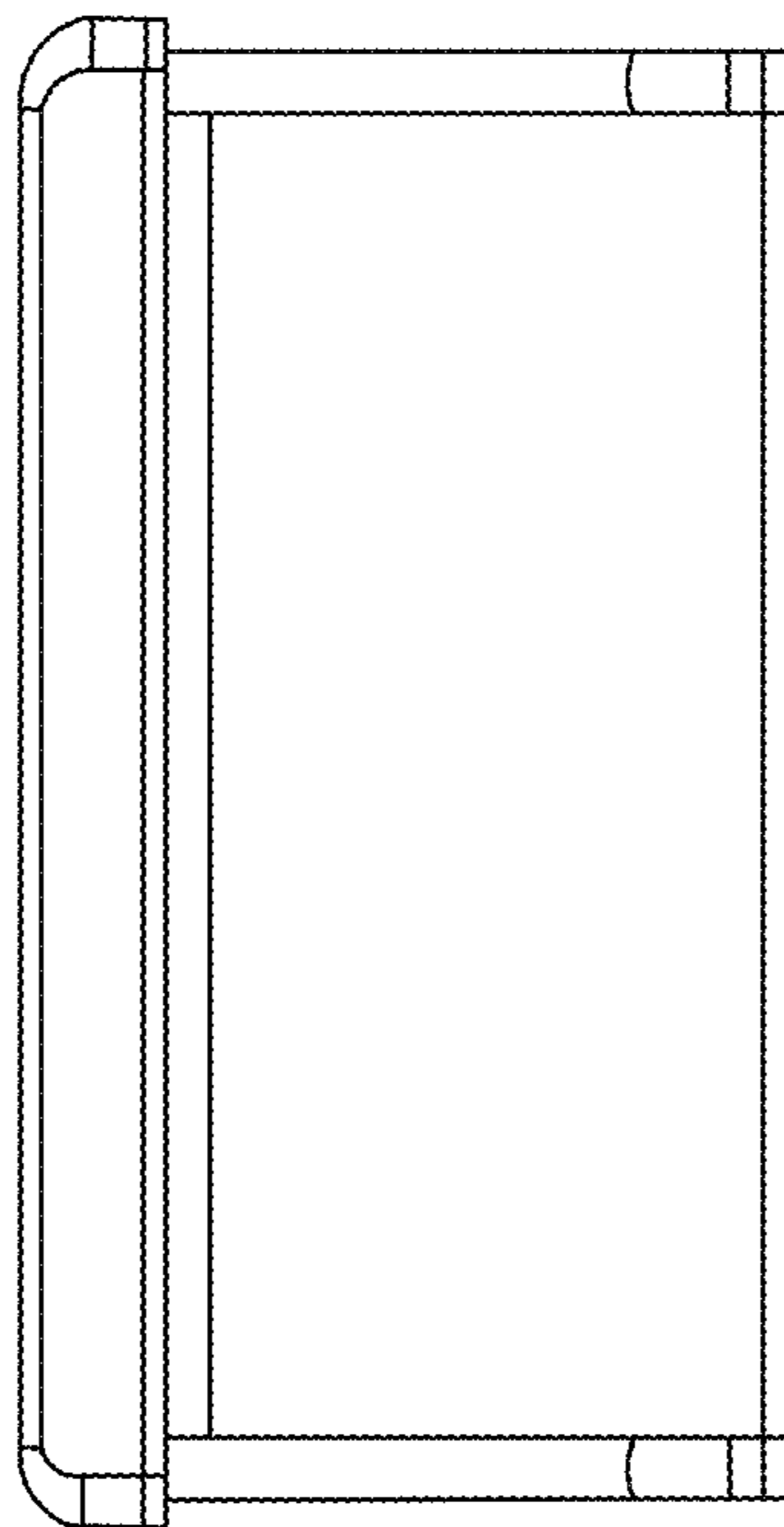


FIG. 2

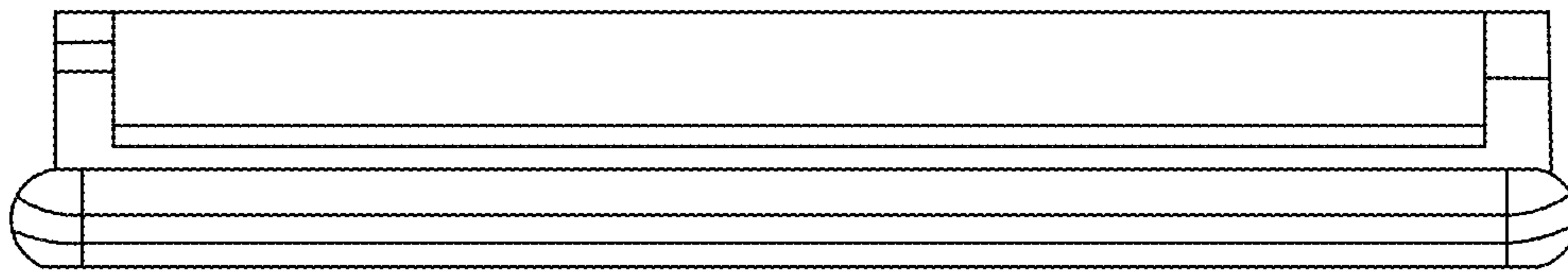


FIG. 3

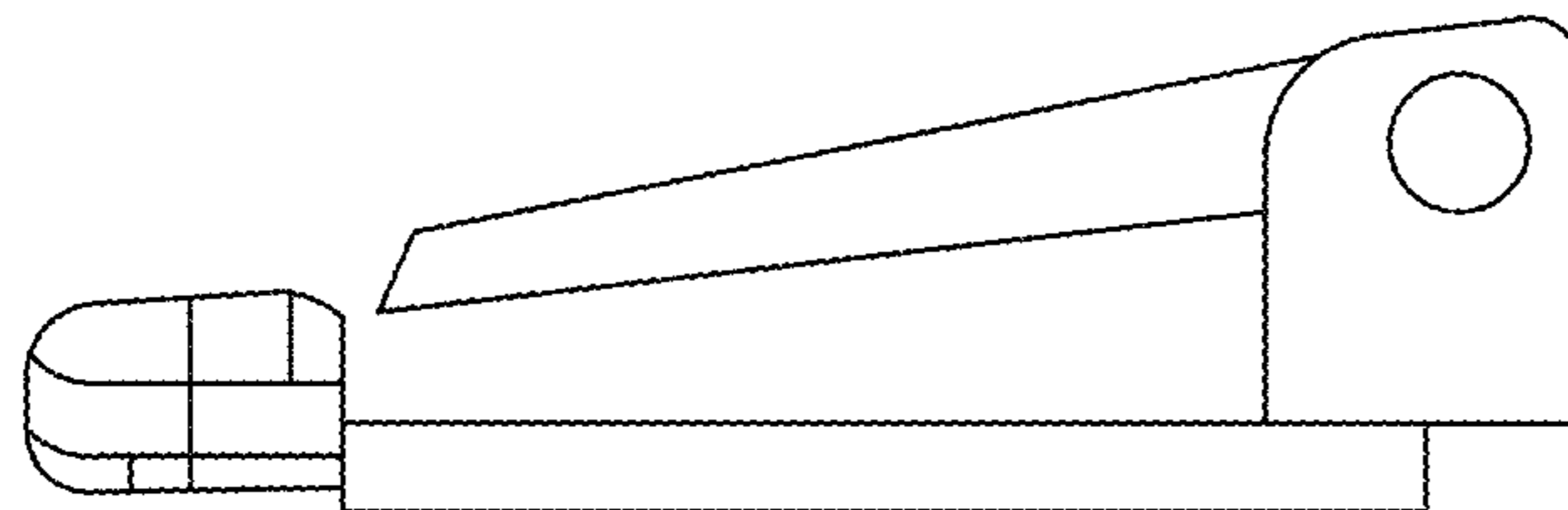


FIG. 4

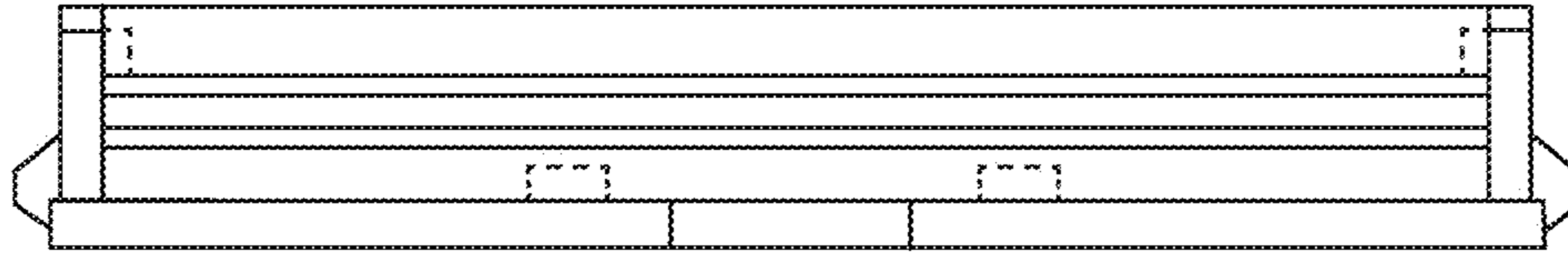


FIG. 5

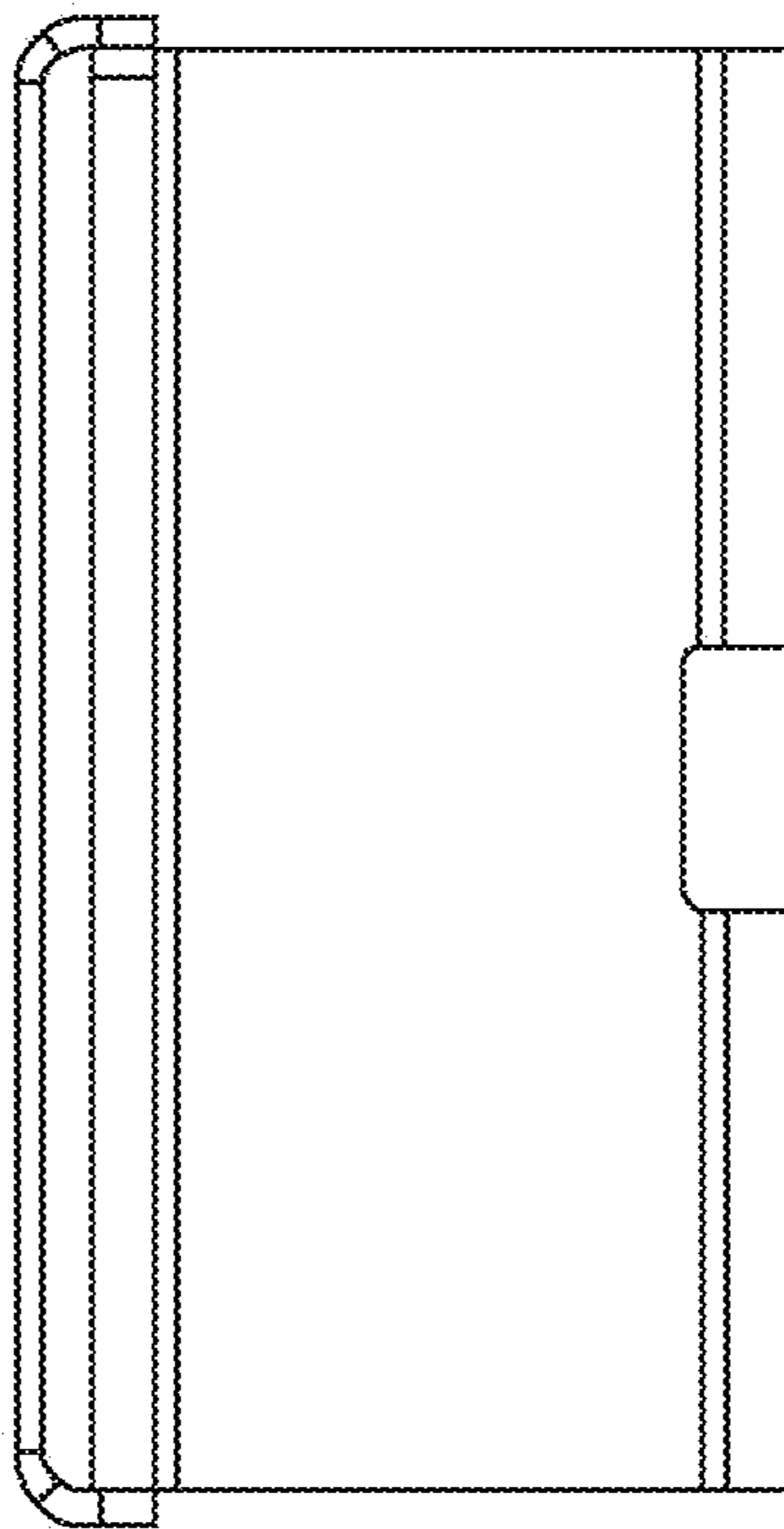


FIG. 6

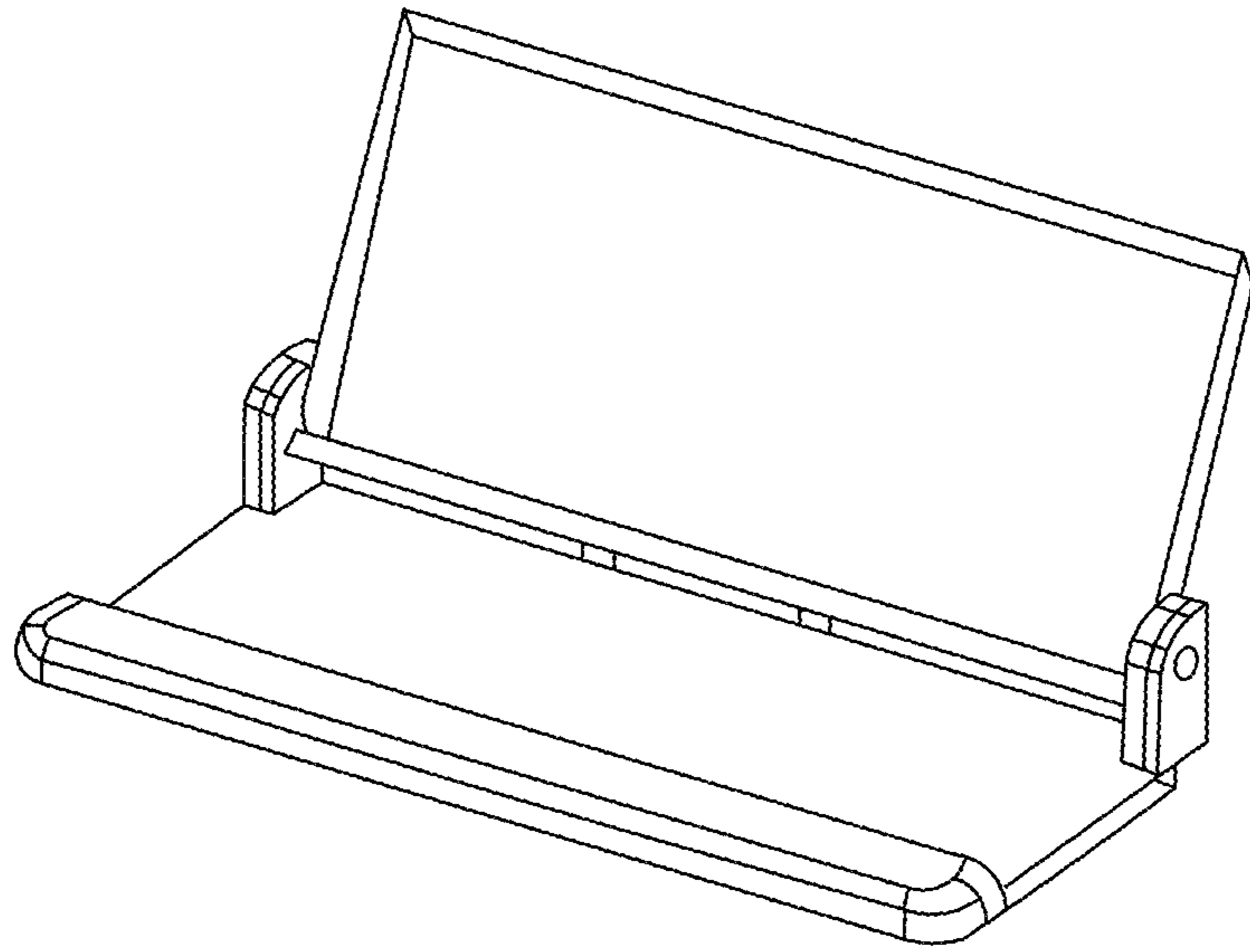


FIG. 7

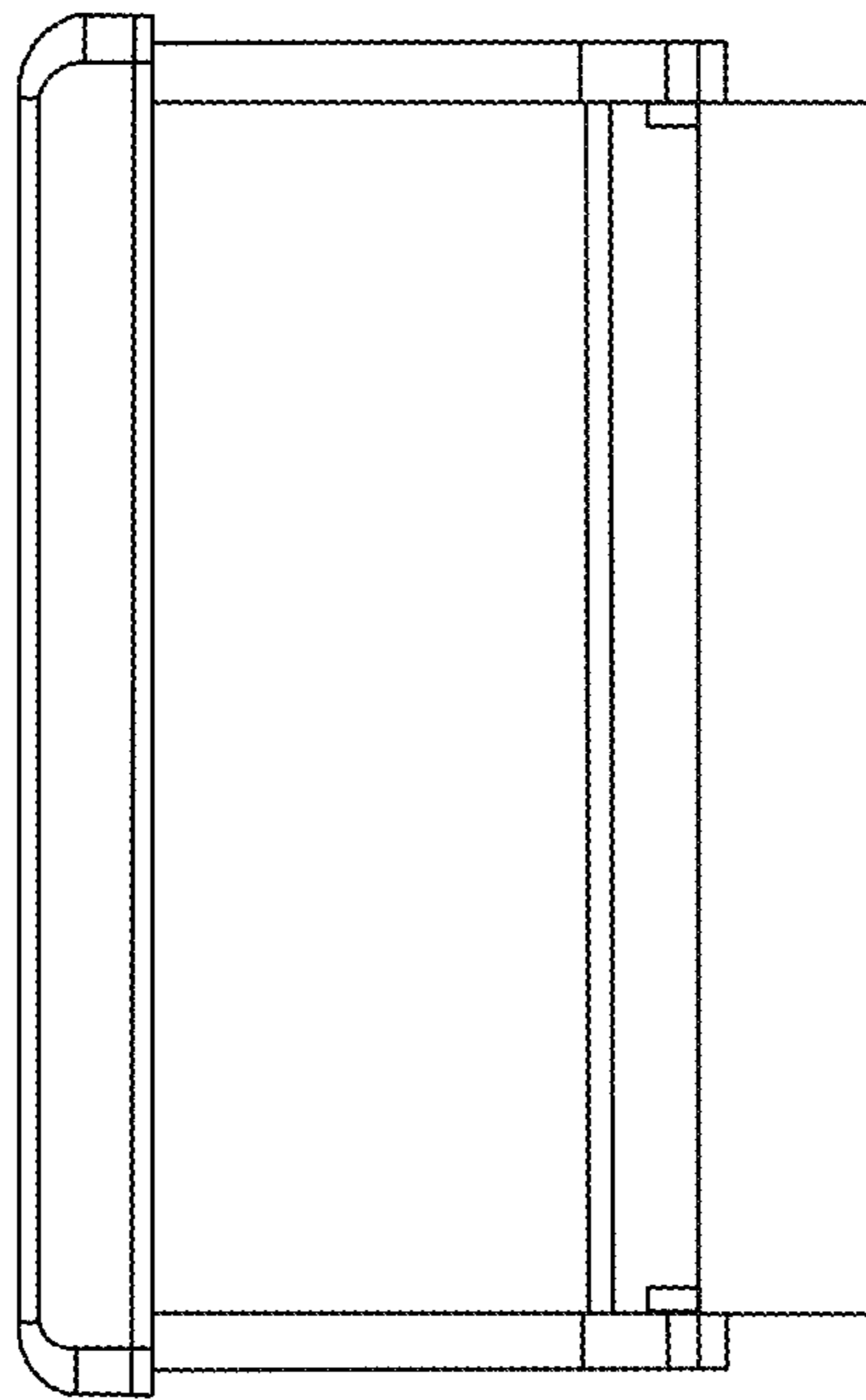


FIG. 8

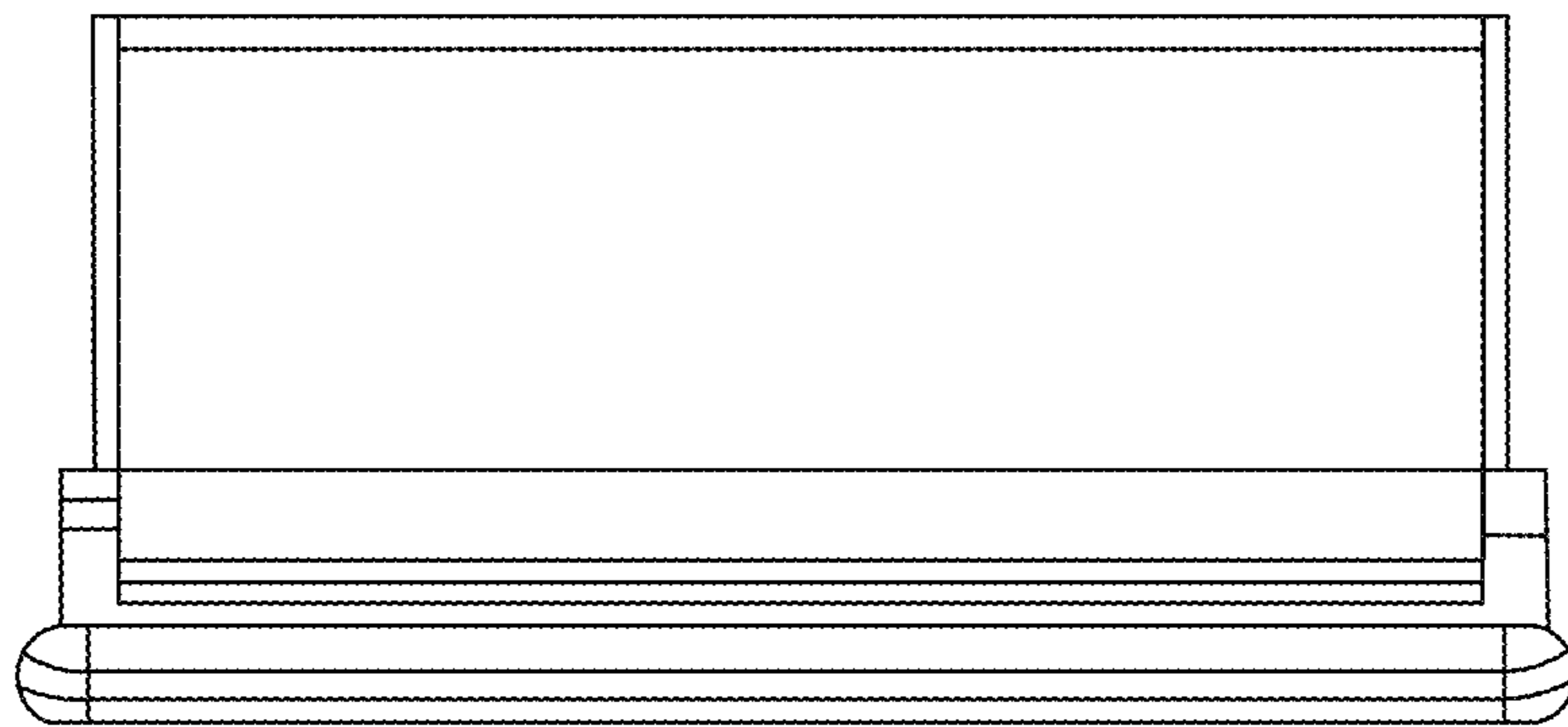


FIG. 9

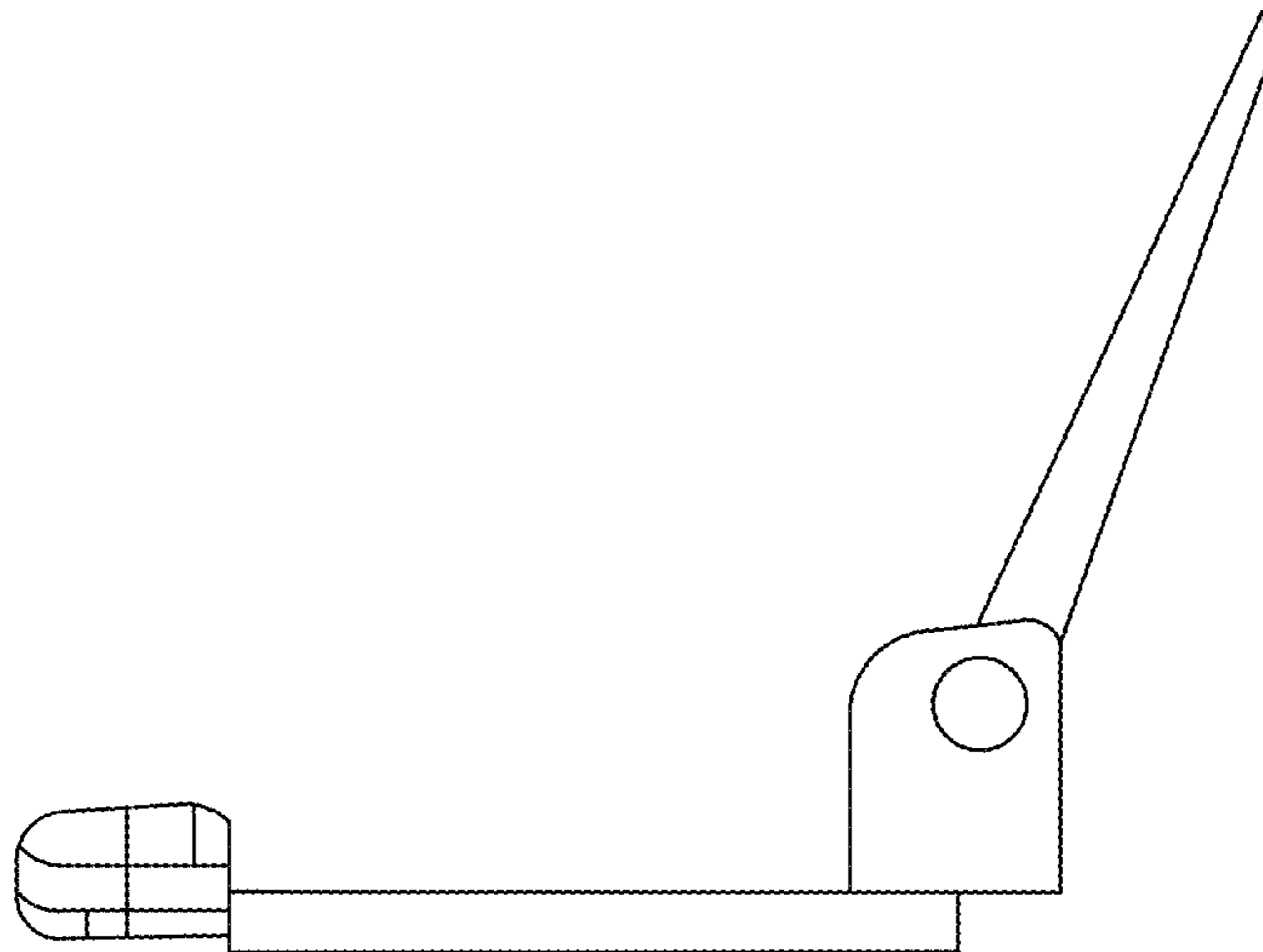


FIG. 10

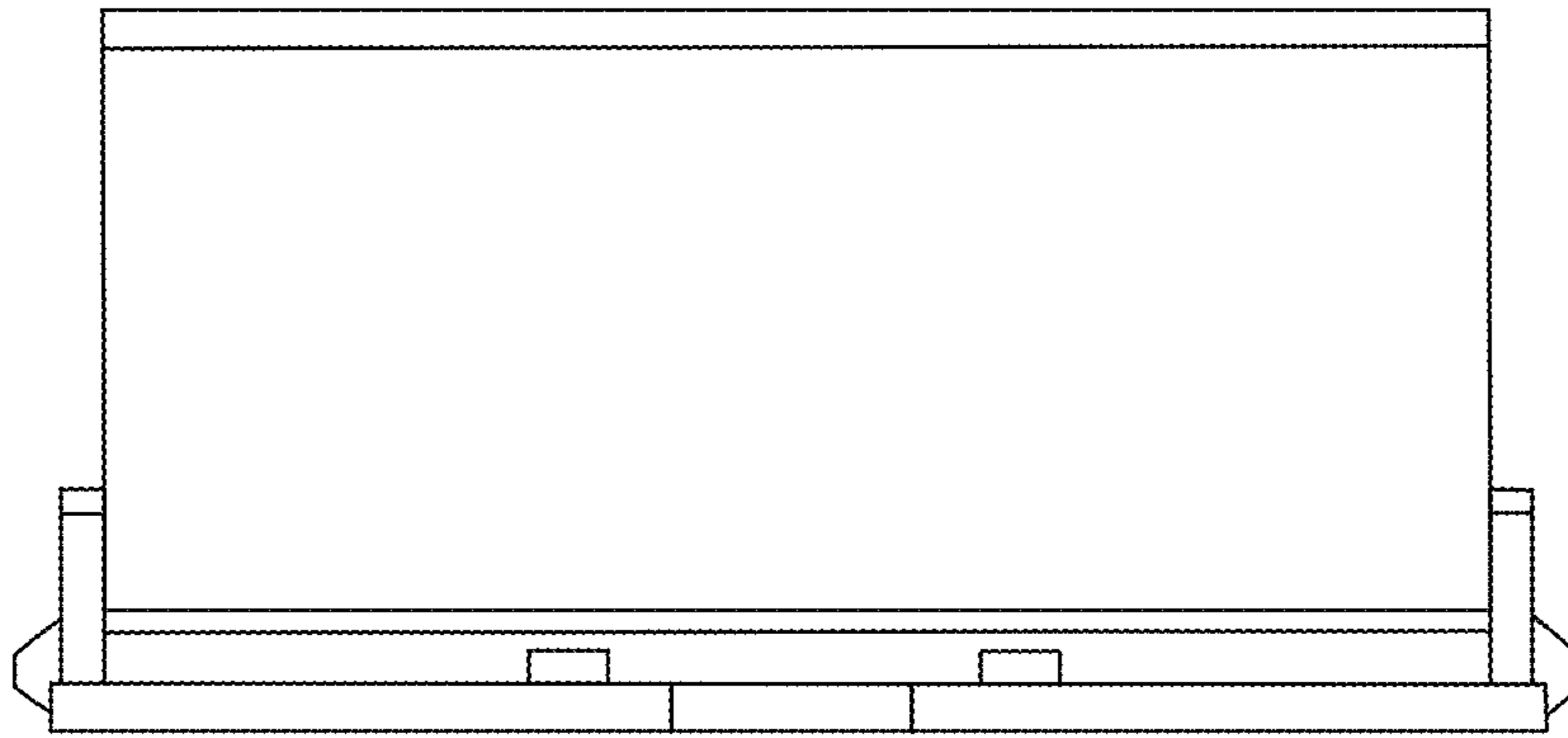


FIG. 11

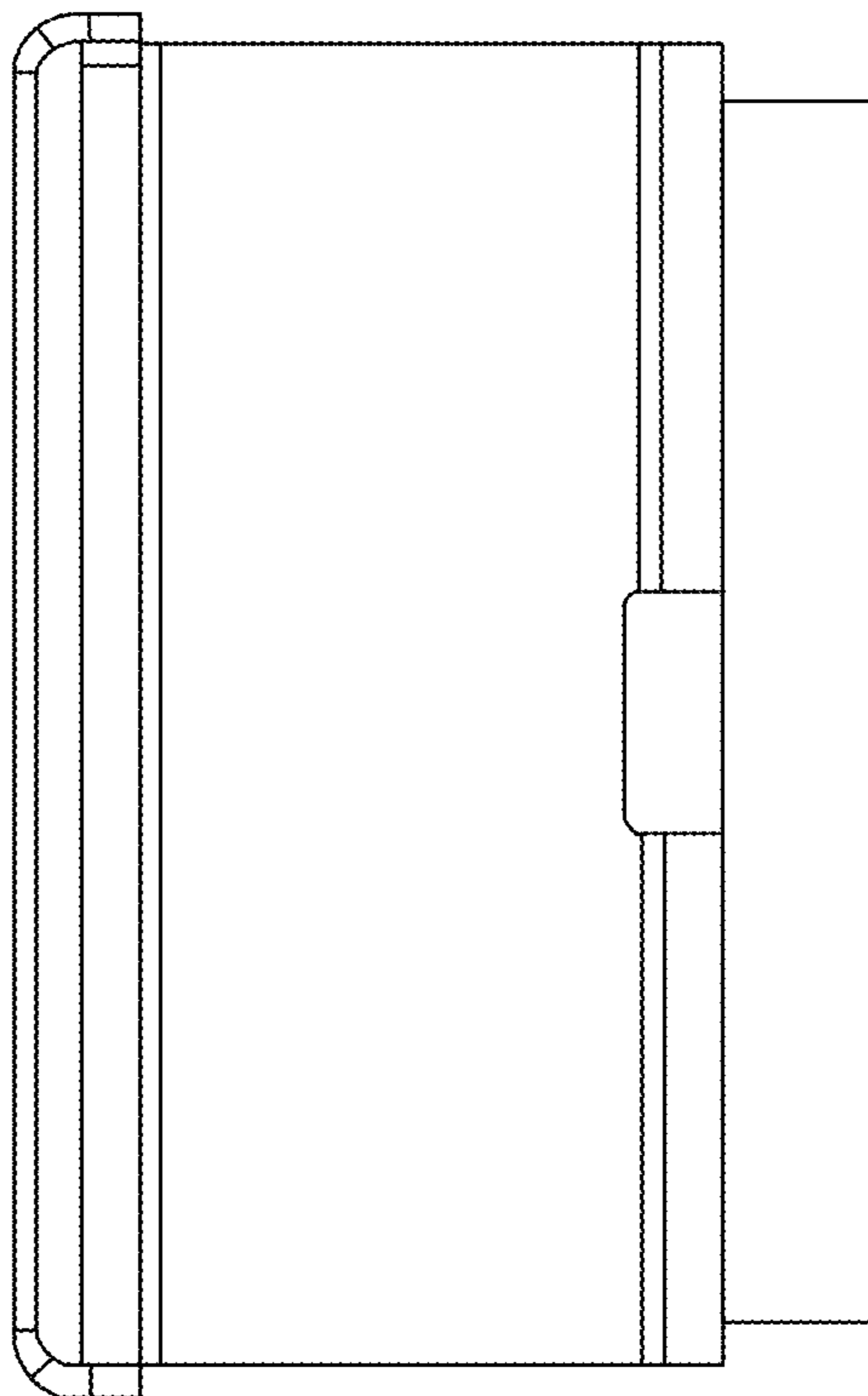


FIG. 12

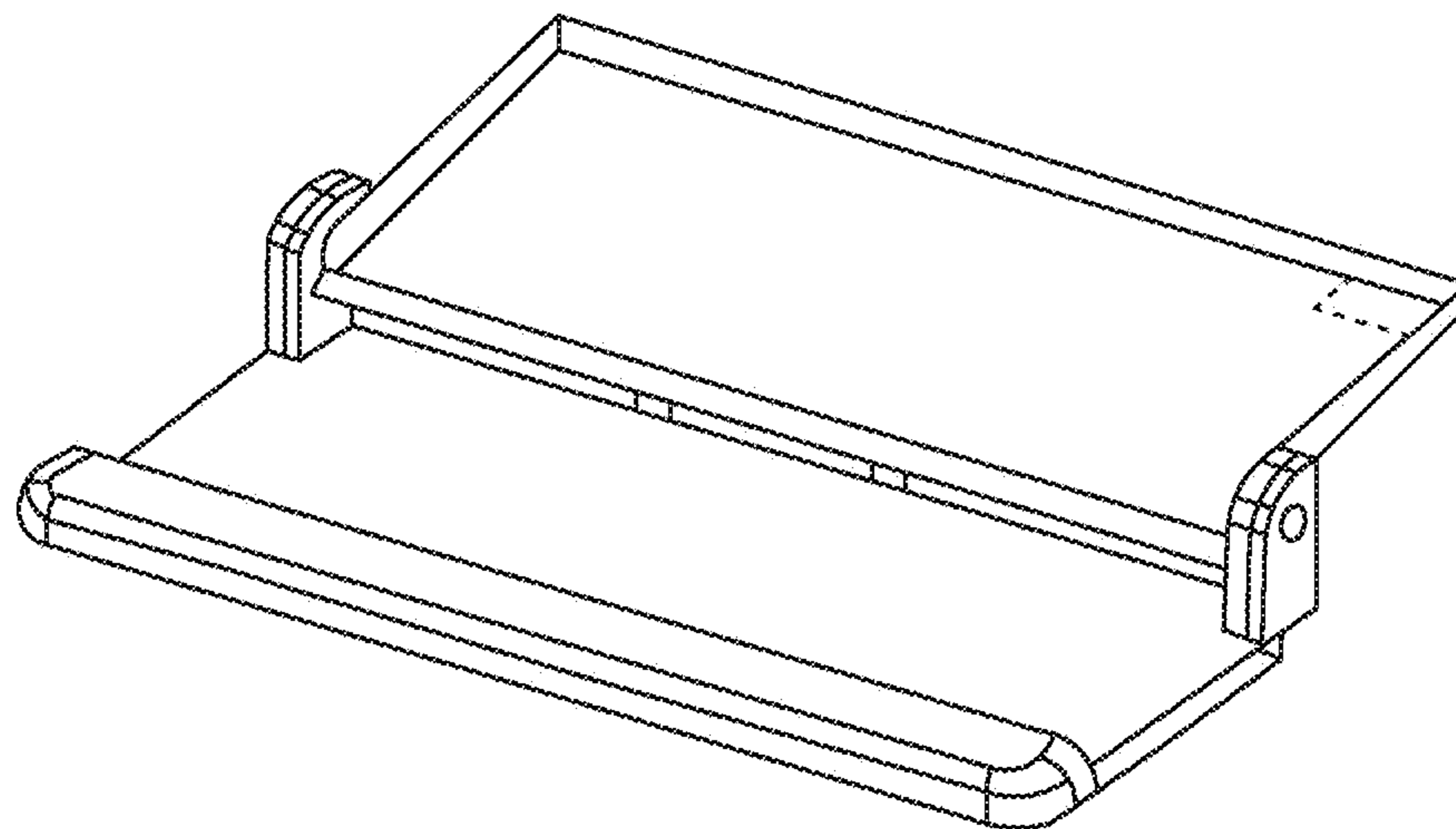


FIG. 13

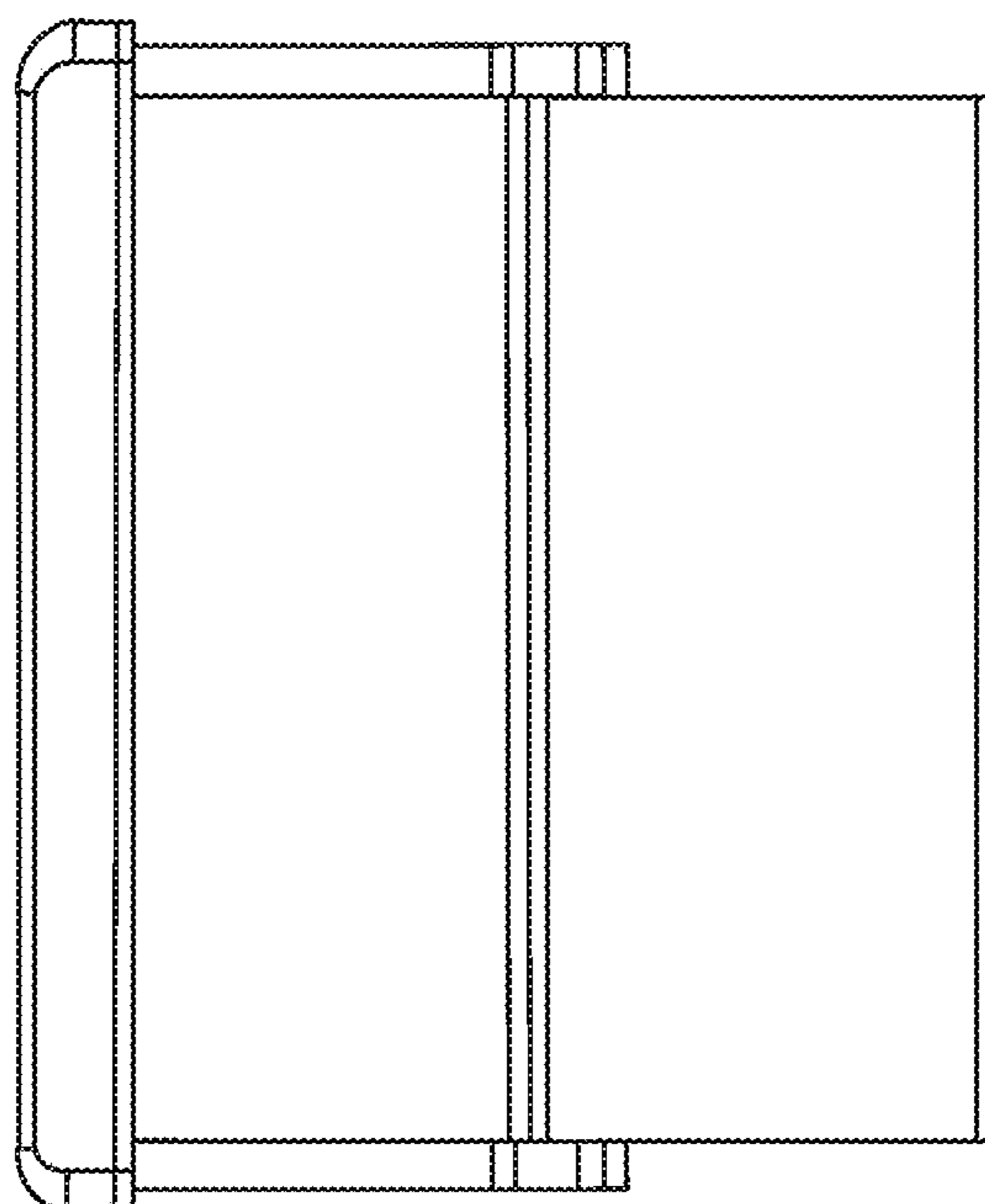


FIG. 14

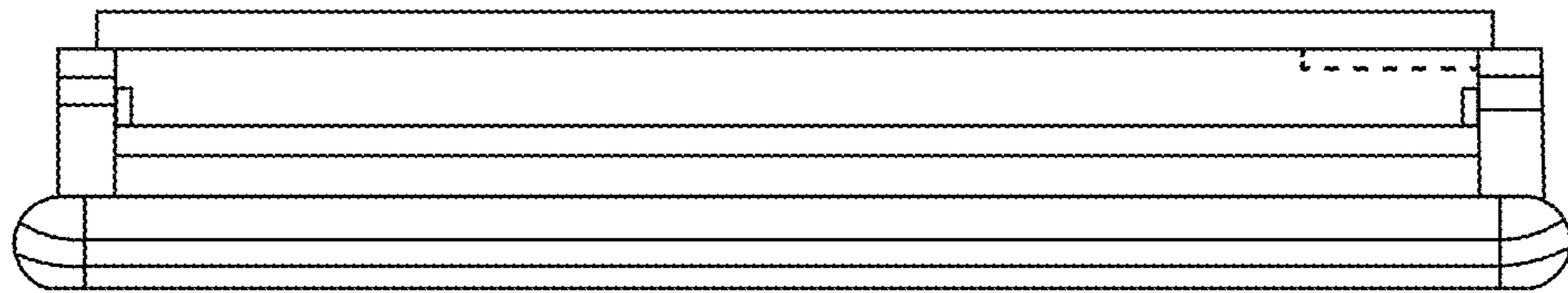


FIG. 15

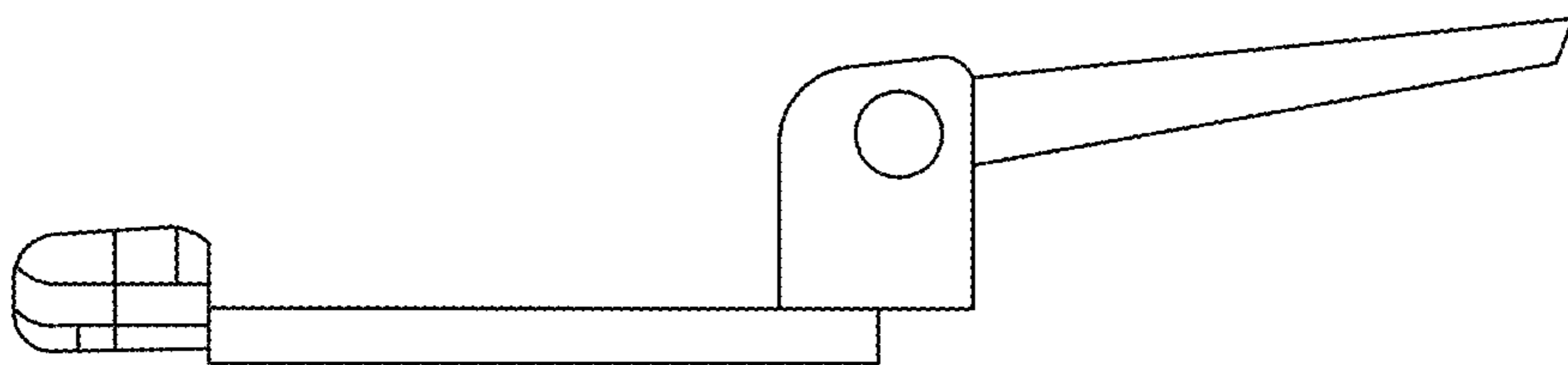


FIG. 16

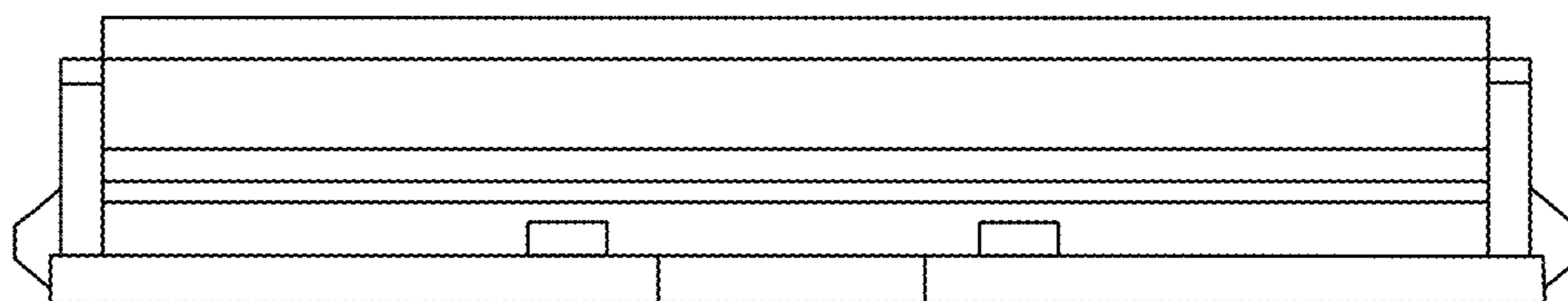


FIG. 17

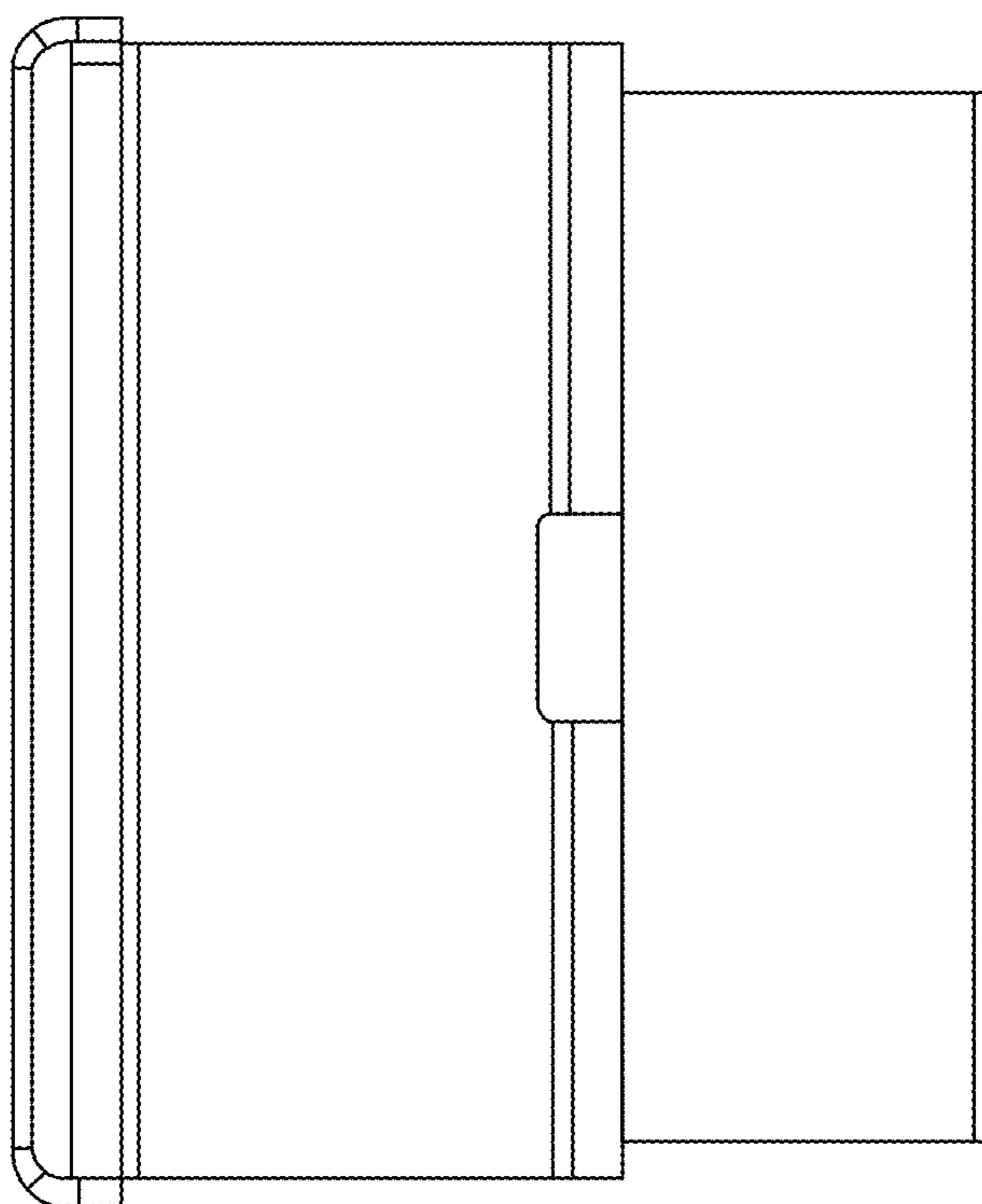


FIG. 18