



US00D776451S

(12) **United States Design Patent** (10) **Patent No.:** **US D776,451 S**
Adair et al. (45) **Date of Patent:** **** Jan. 17, 2017**

(54) **SOFA**
(71) Applicant: **Ashley Furniture Industries, Inc.**,
Arcadia, WI (US)
(72) Inventors: **Lisa Adair**, New Albany, MS (US);
Christie Lamb, Saltillo, MS (US)
(73) Assignee: **ASHLEY FURNITURE**
INDUSTRIES, INC., Arcadia, WI (US)
(**) Term: **15 Years**
(21) Appl. No.: **29/542,565**
(22) Filed: **Oct. 15, 2015**
(51) **LOC (10) Cl.** **06-01**
(52) **U.S. Cl.**
USPC **D6/381**
(58) **Field of Classification Search**
USPC D6/334, 335, 345, 358, 381, 502, 716
CPC A47C 7/24; A47C 17/02; A47C 17/04;
A47C 17/045; A47C 17/12; A47C 17/132;
A47C 17/136
See application file for complete search history.

D495,158 S * 8/2004 Nastri D6/381
D499,569 S * 12/2004 Ricci D6/334
D506,881 S * 7/2005 Nastri D6/381
D514,347 S * 2/2006 Natuzzi D6/381
D526,804 S * 8/2006 Natuzzi D6/381
D527,923 S * 9/2006 Adair D6/381
D534,008 S * 12/2006 Adair D6/381
D538,546 S * 3/2007 Nastri D6/381
D538,548 S * 3/2007 Nastri D6/381
D539,558 S * 4/2007 Nastri D6/381
D542,047 S * 5/2007 Nastri D6/381
D542,556 S * 5/2007 Nastri D6/381
D567,530 S * 4/2008 Lamb D6/381
D592,878 S * 5/2009 Natuzzi D6/381
D737,592 S * 9/2015 Adair D6/381
D737,593 S * 9/2015 Adair D6/381
D738,642 S * 9/2015 Adair D6/381

* cited by examiner

Primary Examiner — George D Kirschbaum
Assistant Examiner — Joseph Kukella
(74) *Attorney, Agent, or Firm* — McAndrews, Held &
Malloy, Ltd.

(57) **CLAIM**

The ornamental design for a sofa, as shown and described.

DESCRIPTION

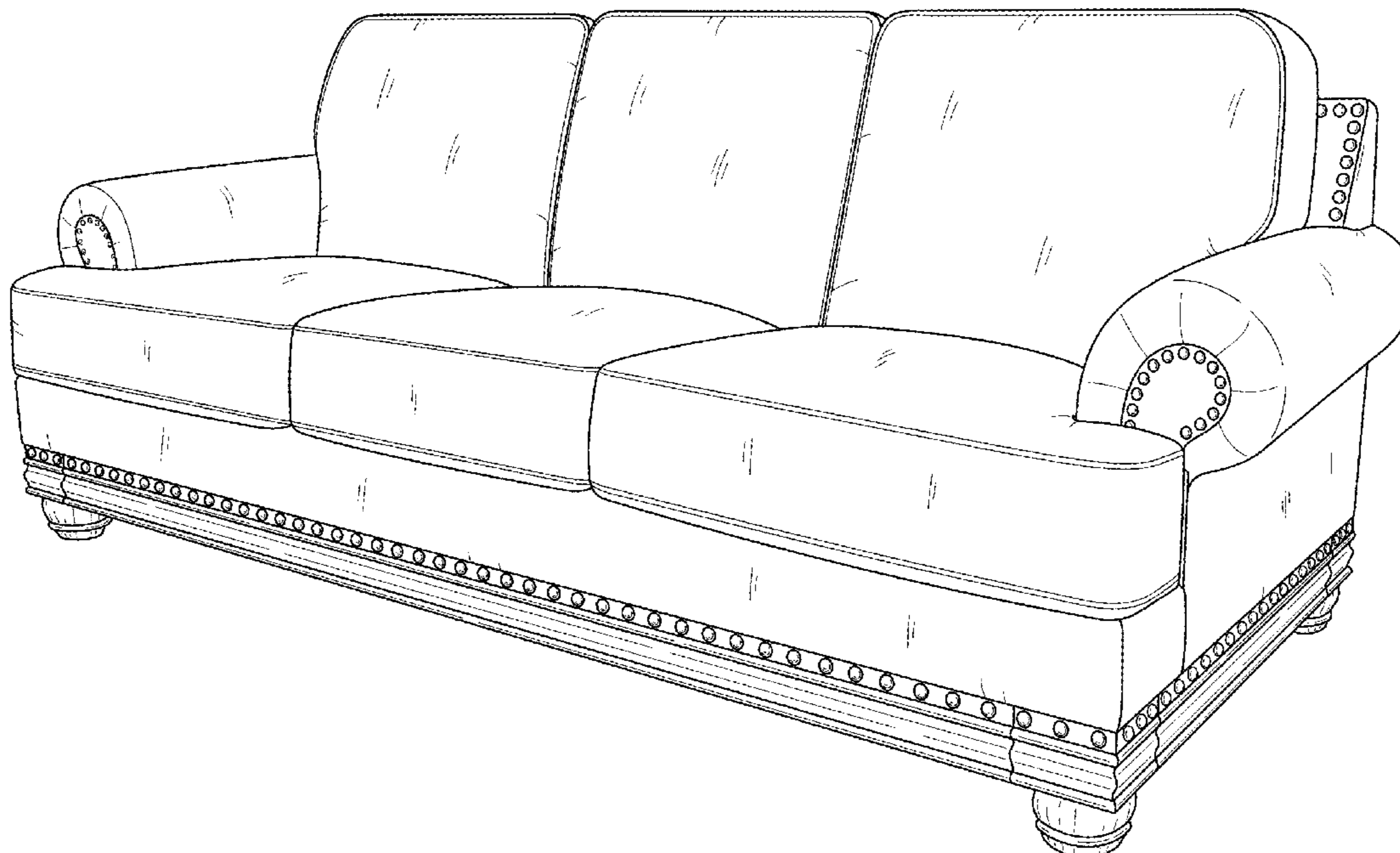
FIG. 1 is a perspective view of a sofa showing our new design;
FIG. 2 is a front elevation view thereof;
FIG. 3 is a right side elevation view thereof, the left side elevation view being a mirror image thereof; and,
FIG. 4 is a top plan view thereof.
Views of the sofa not shown in the figures form no part of the claimed design.

1 Claim, 4 Drawing Sheets

(56) **References Cited**

U.S. PATENT DOCUMENTS

D367,180 S * 2/1996 Natuzzi D6/334
D367,187 S * 2/1996 Natuzzi D6/334
D373,484 S * 9/1996 Natuzzi D6/334
D379,036 S * 5/1997 Natuzzi D6/334
D388,970 S * 1/1998 Natuzzi D6/334
D411,064 S * 6/1999 Klein D6/381
D430,422 S * 9/2000 Natuzzi D6/334
D438,722 S * 3/2001 Natuzzi D6/334
D448,198 S * 9/2001 Natuzzi D6/334



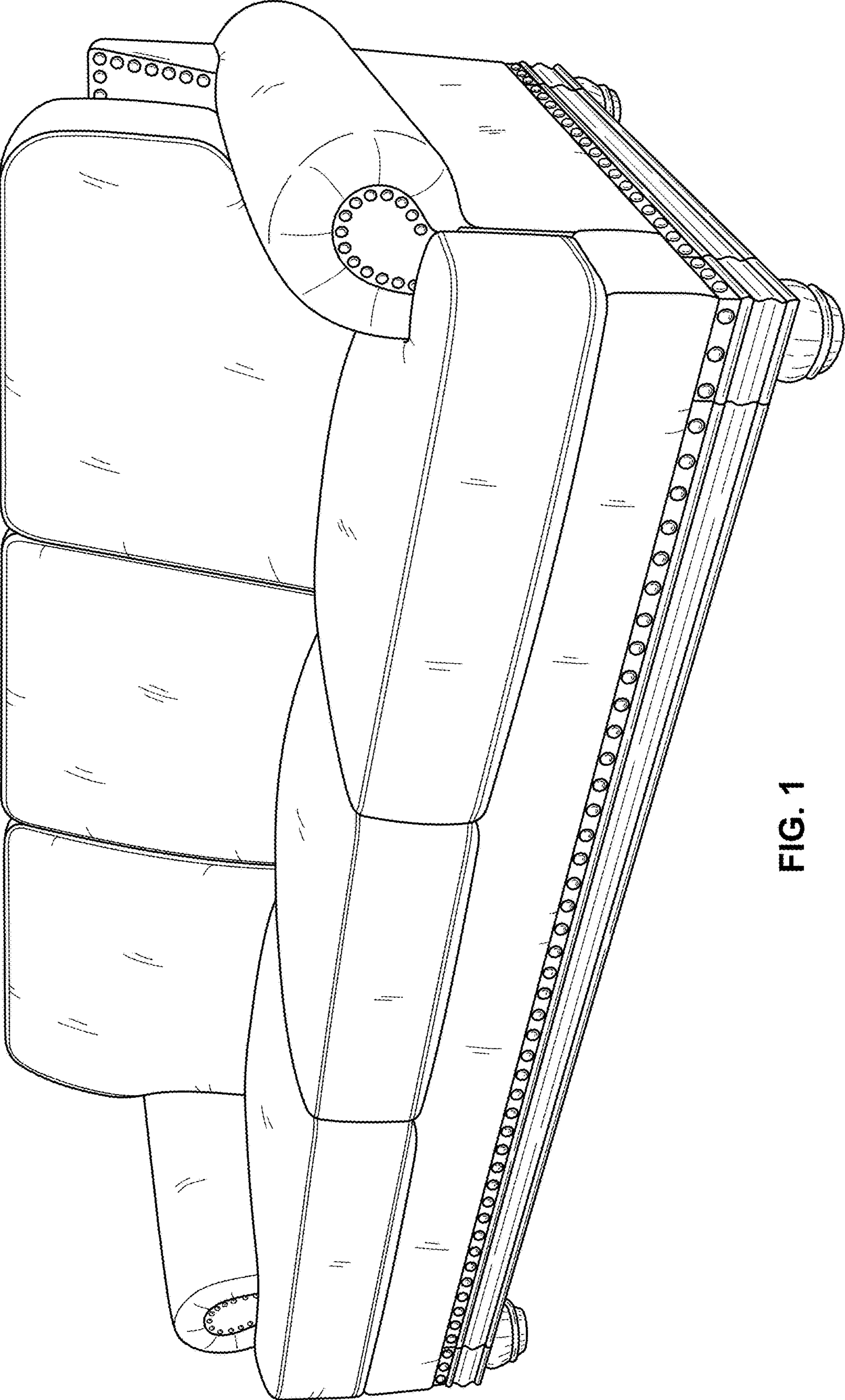


FIG. 1

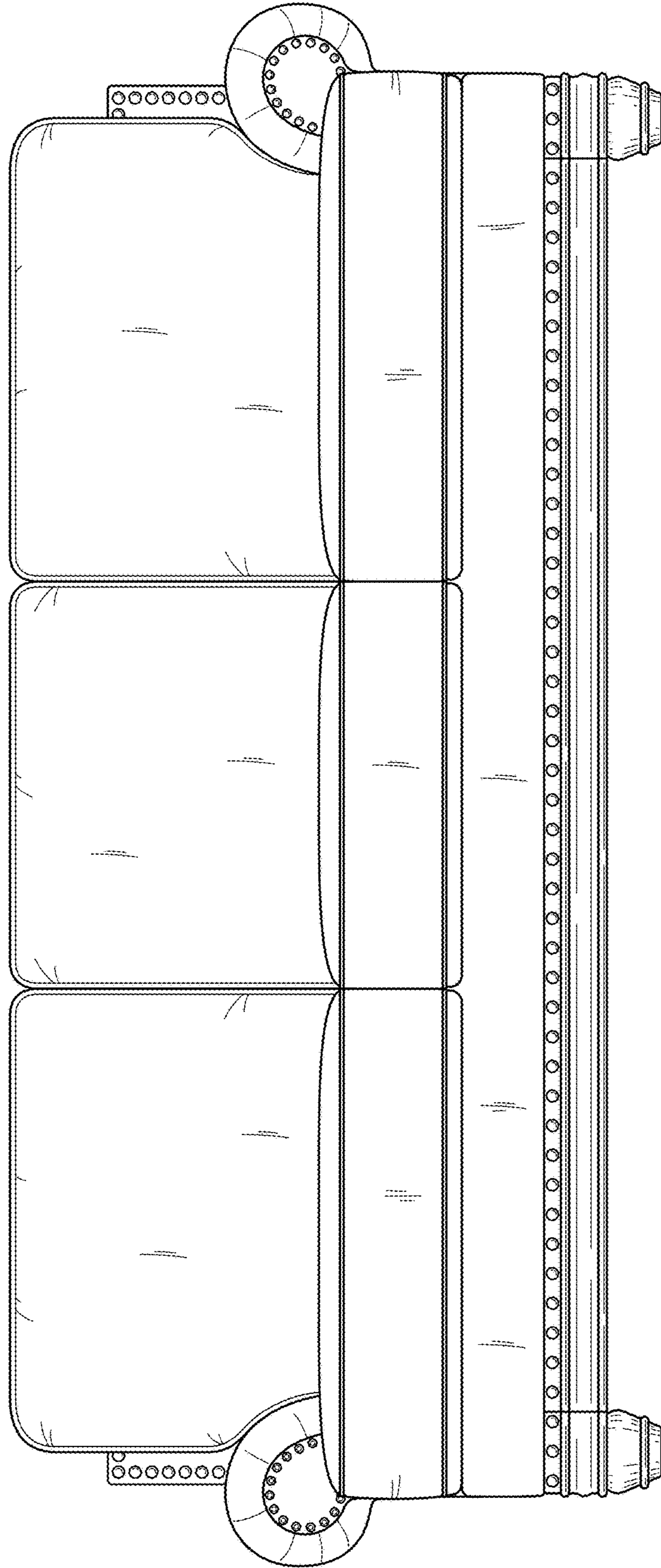


FIG. 2

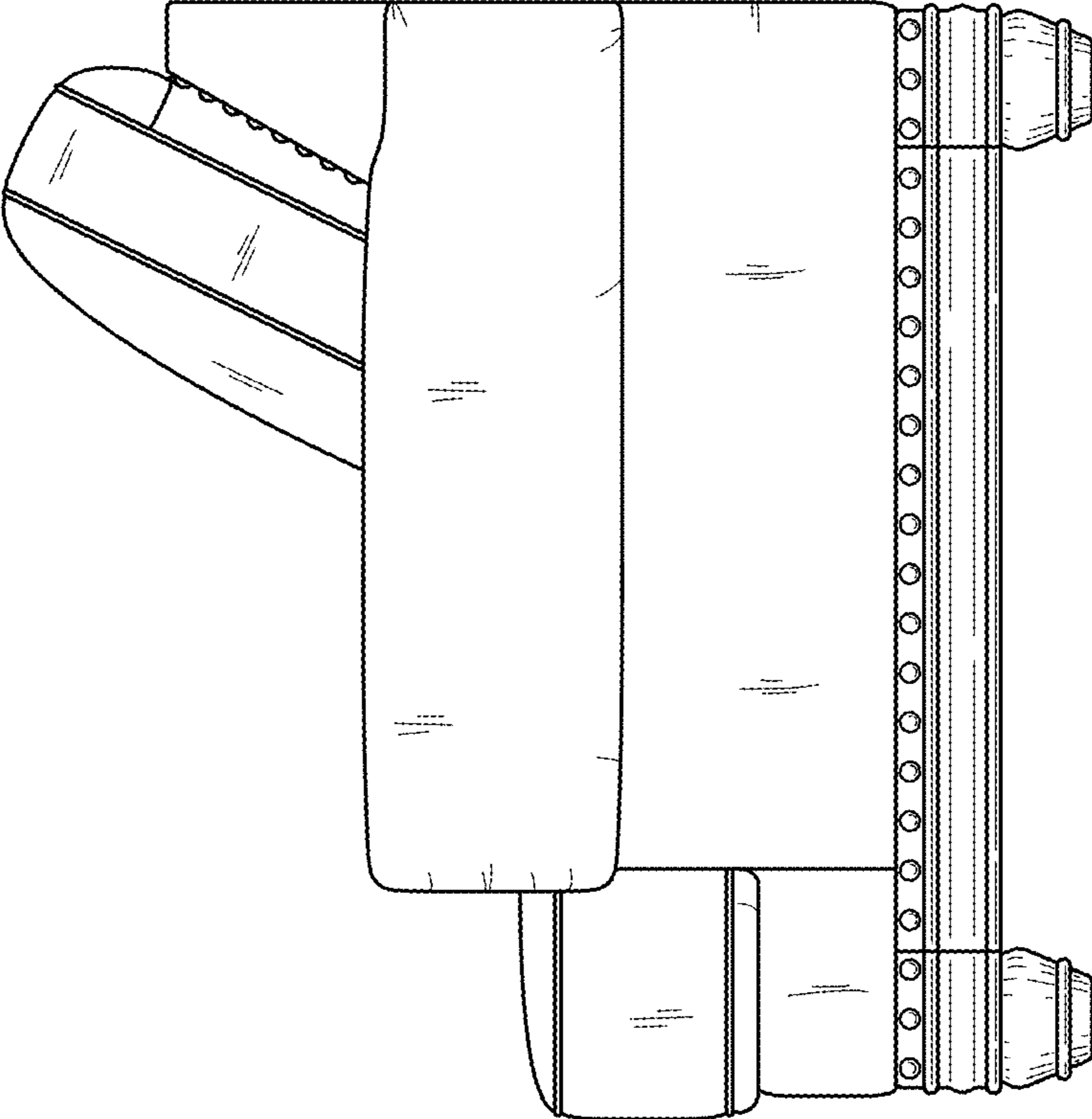


FIG. 3

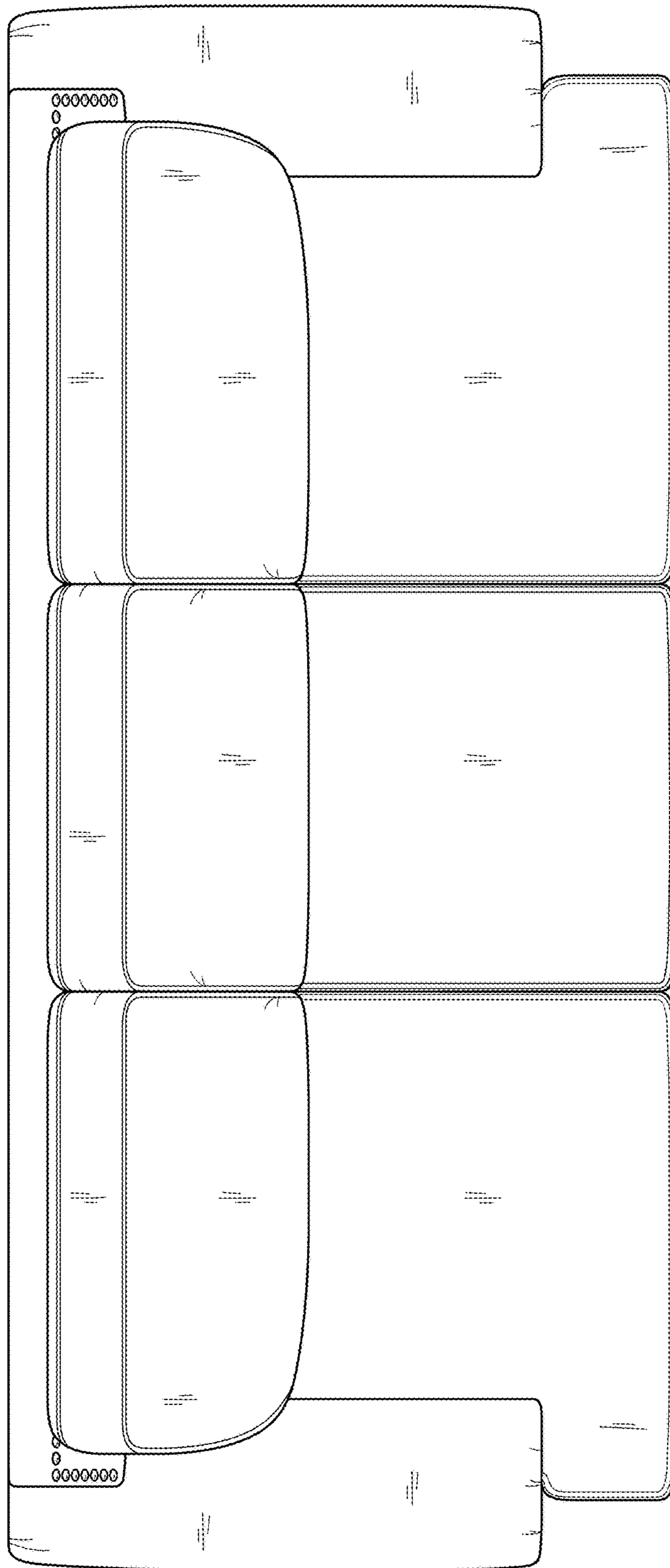


FIG. 4