



US00D776450S

(12) **United States Design Patent** (10) **Patent No.:** **US D776,450 S**
Dix (45) **Date of Patent:** **** *Jan. 17, 2017**

- (54) **SEAT**
- (71) Applicant: **SOUTHERN MOTION, INC.,**
Pontotoc, MS (US)
- (72) Inventor: **George K Dix,** Pontotoc, MS (US)
- (73) Assignee: **SOUTHERN MOTION, INC.,**
Pontotoc, MS (US)
- (*) Notice: This patent is subject to a terminal disclaimer.
- (**) Term: **15 Years**
- (21) Appl. No.: **29/540,262**
- (22) Filed: **Sep. 22, 2015**
- (51) **LOC (10) Cl.** **06-01**
- (52) **U.S. Cl.**
USPC **D6/381**
- (58) **Field of Classification Search**
USPC D6/334, 335, 336, 338, 349, 355, 381,
D6/716, 716.1; 297/118, 119, 135, 144,
297/232, 445.1, 448.1, 452.18, 156, 175,
297/216.1; 5/12.1, 12.2
CPC A47C 1/02; A47C 1/12; A47C 11/00;
A47C 17/00; A47C 17/02; A47C
4/52; A47C 9/00
See application file for complete search history.

(56) **References Cited**
U.S. PATENT DOCUMENTS

- D469,973 S * 2/2003 Ricci D6/335
- D470,325 S * 2/2003 Ricci D6/381

- D495,517 S * 9/2004 Ricci D6/334
- D504,030 S * 4/2005 Ricci D6/334
- D544,242 S * 6/2007 Ricci D6/381
- D613,959 S * 4/2010 Crockett D6/381
- D634,941 S * 3/2011 Crockett D6/381
- D721,514 S * 1/2015 Adair D6/381
- D721,899 S * 2/2015 Adair D6/381
- D733,438 S * 7/2015 Adair D6/334
- D742,135 S * 11/2015 Dix D6/381
- D750,915 S * 3/2016 Dix D6/381

* cited by examiner

Primary Examiner — Sandra Snapp
(74) *Attorney, Agent, or Firm* — Thomas G. Peterson;
Bradley Arant Boult Cummings LLP

(57) **CLAIM**

The ornamental design for a seat, as shown and described.

DESCRIPTION

FIG. 1 shows a perspective view of a first embodiment of the seat in accordance with the new design.

FIG. 2 shows a front elevation view of the embodiment of FIG. 1.

FIG. 3 shows a rear view of the embodiment of FIG. 1.

FIG. 4 shows a top view of the embodiment of FIG. 1.

FIG. 5 shows a side view of the embodiment of FIG. 1.

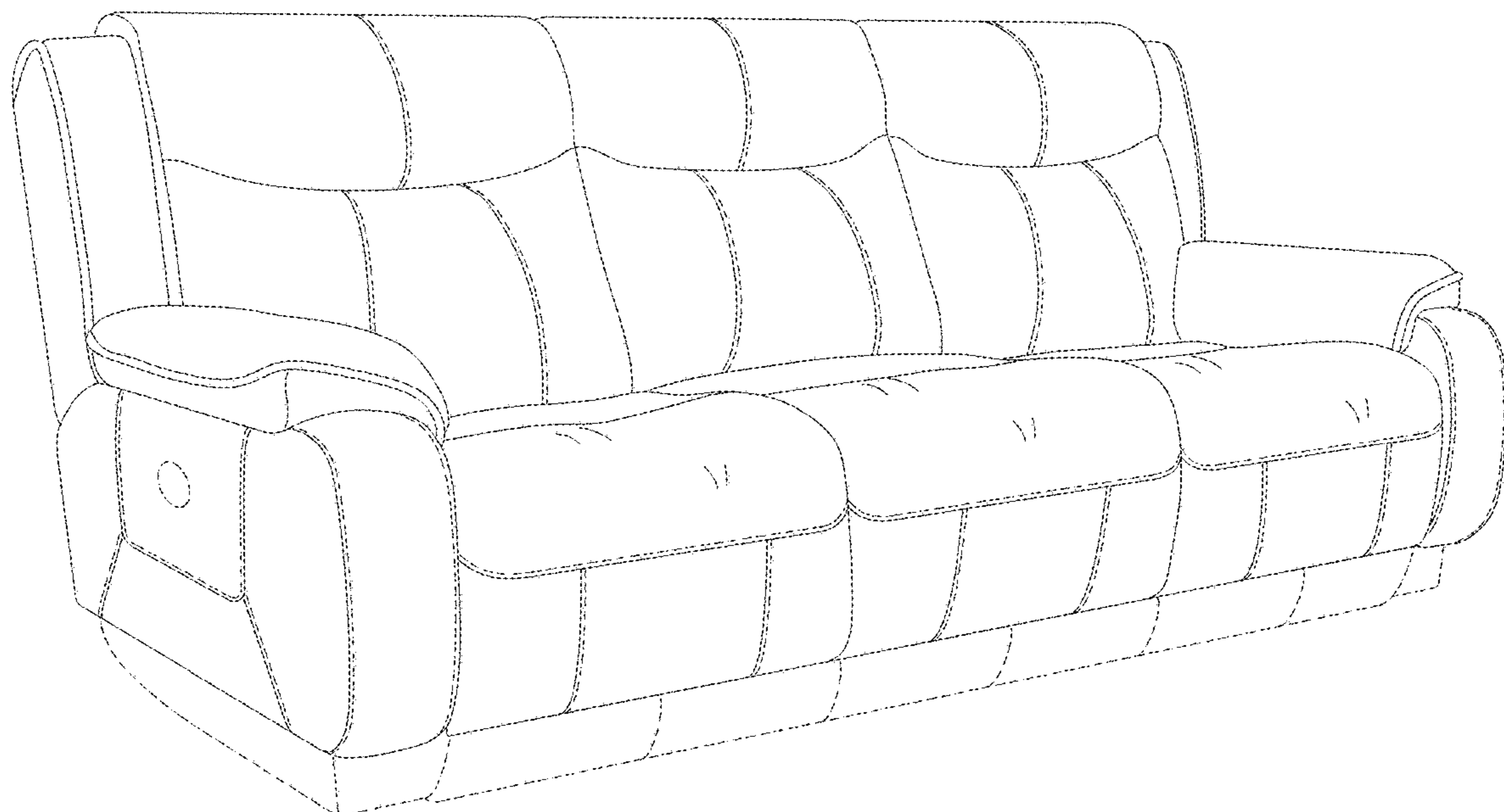
FIG. 6 shows a perspective view of a third embodiment of the seat in accordance with the new design.

FIG. 7 shows a front elevation view of the embodiment of FIG. 6.

FIG. 8 shows a rear view of the embodiment of FIG. 6; and, FIG. 9 shows a top view of the embodiment of FIG. 6.

The dashed lines shown in the drawings illustrate environmental structure and form no part of the claimed design.

1 Claim, 9 Drawing Sheets



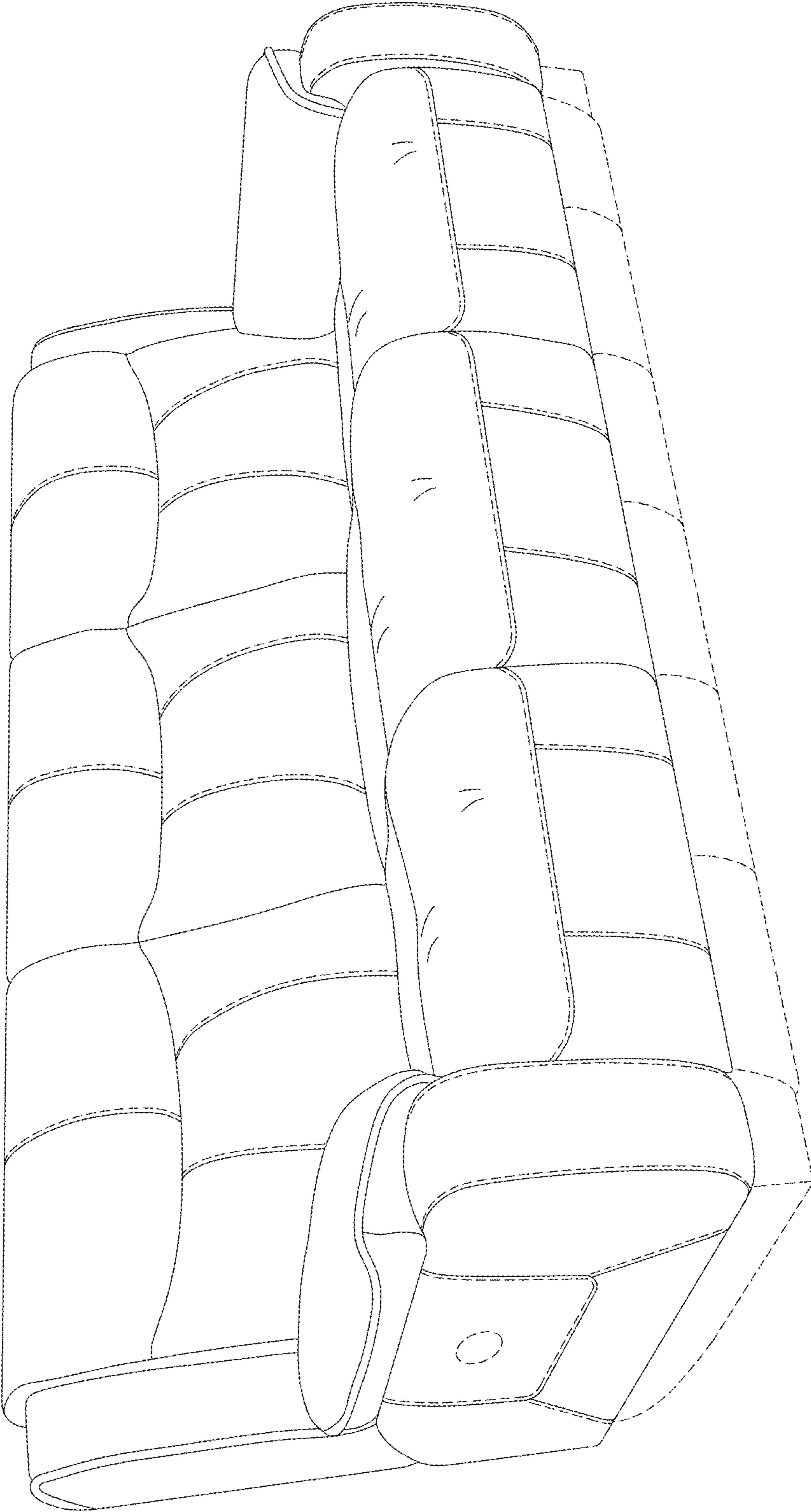


FIG. 1

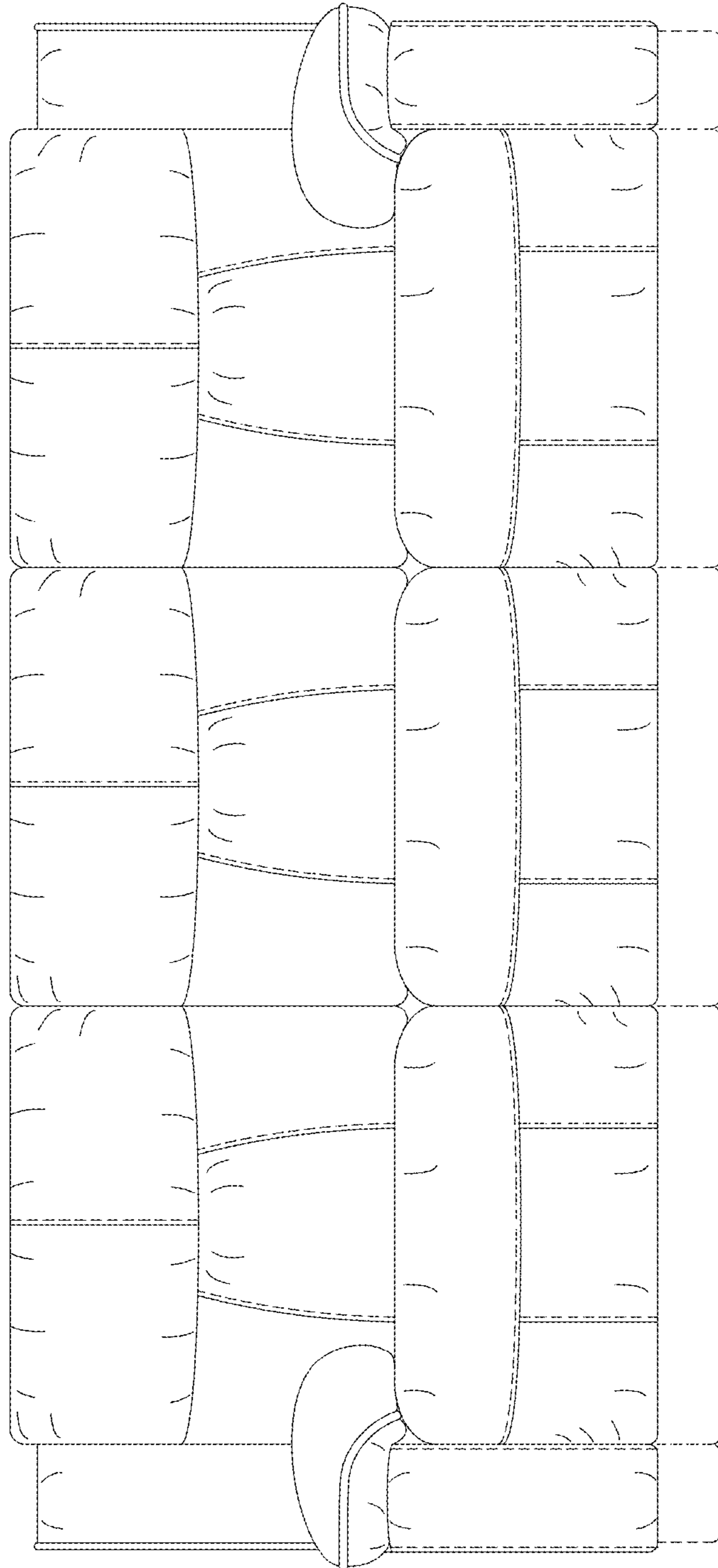


FIG. 2

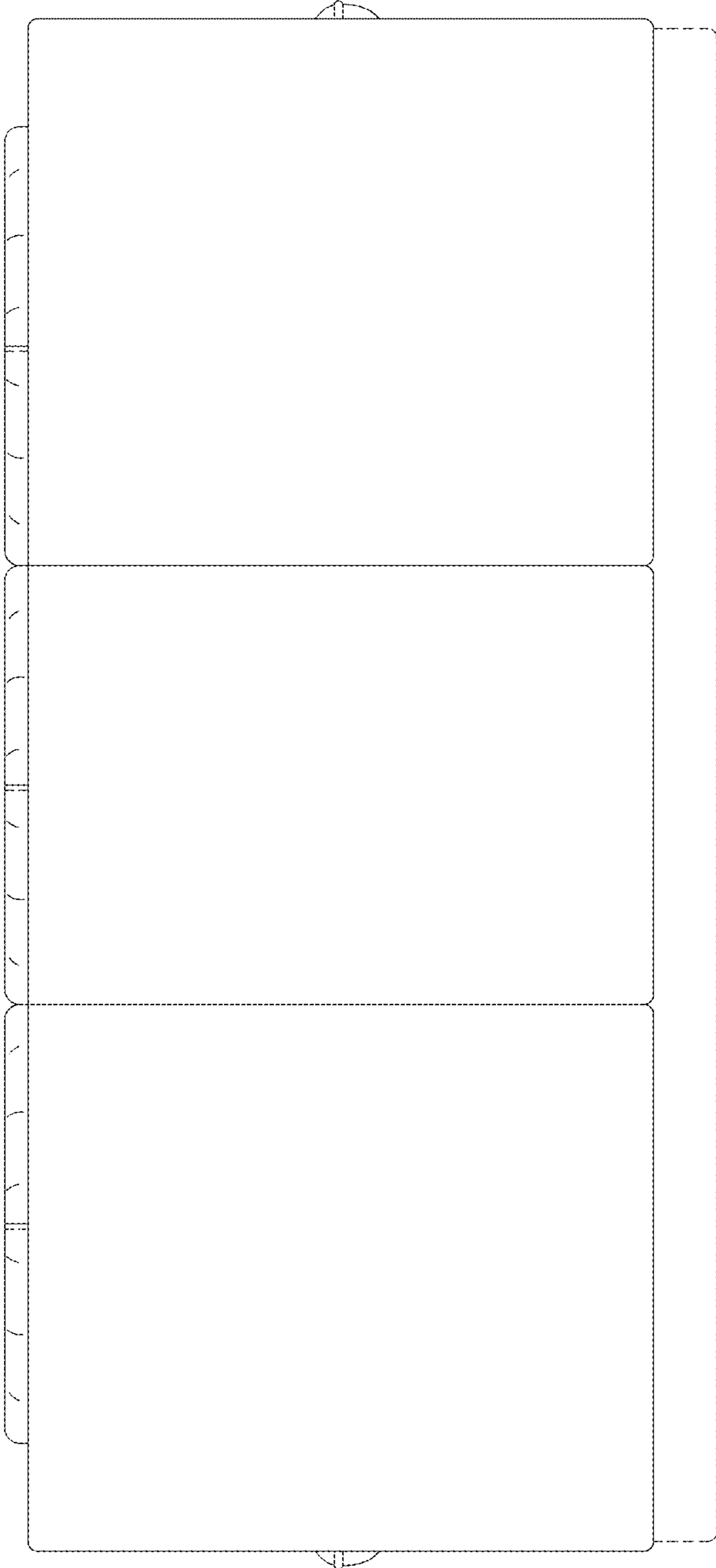


FIG. 3

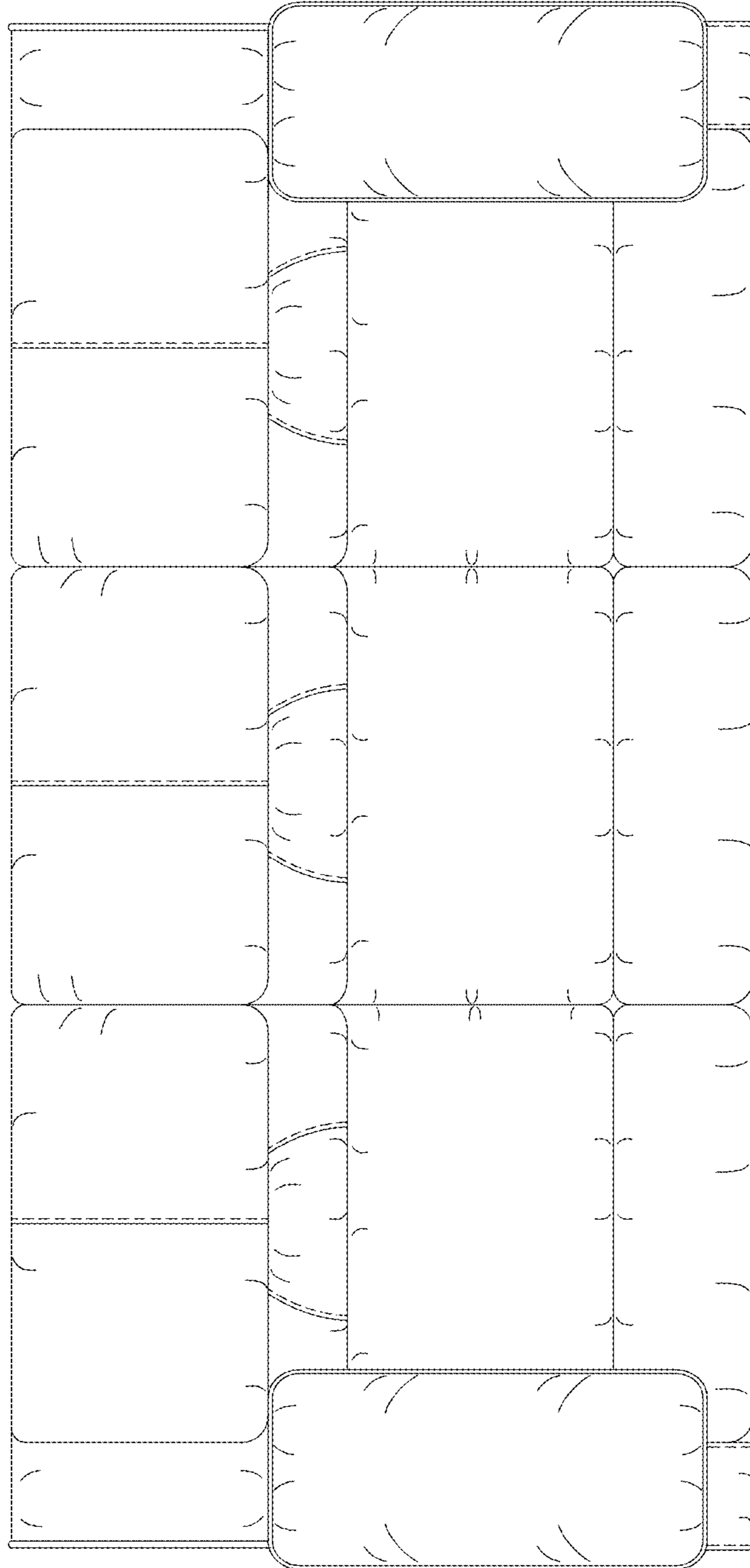


FIG. 4

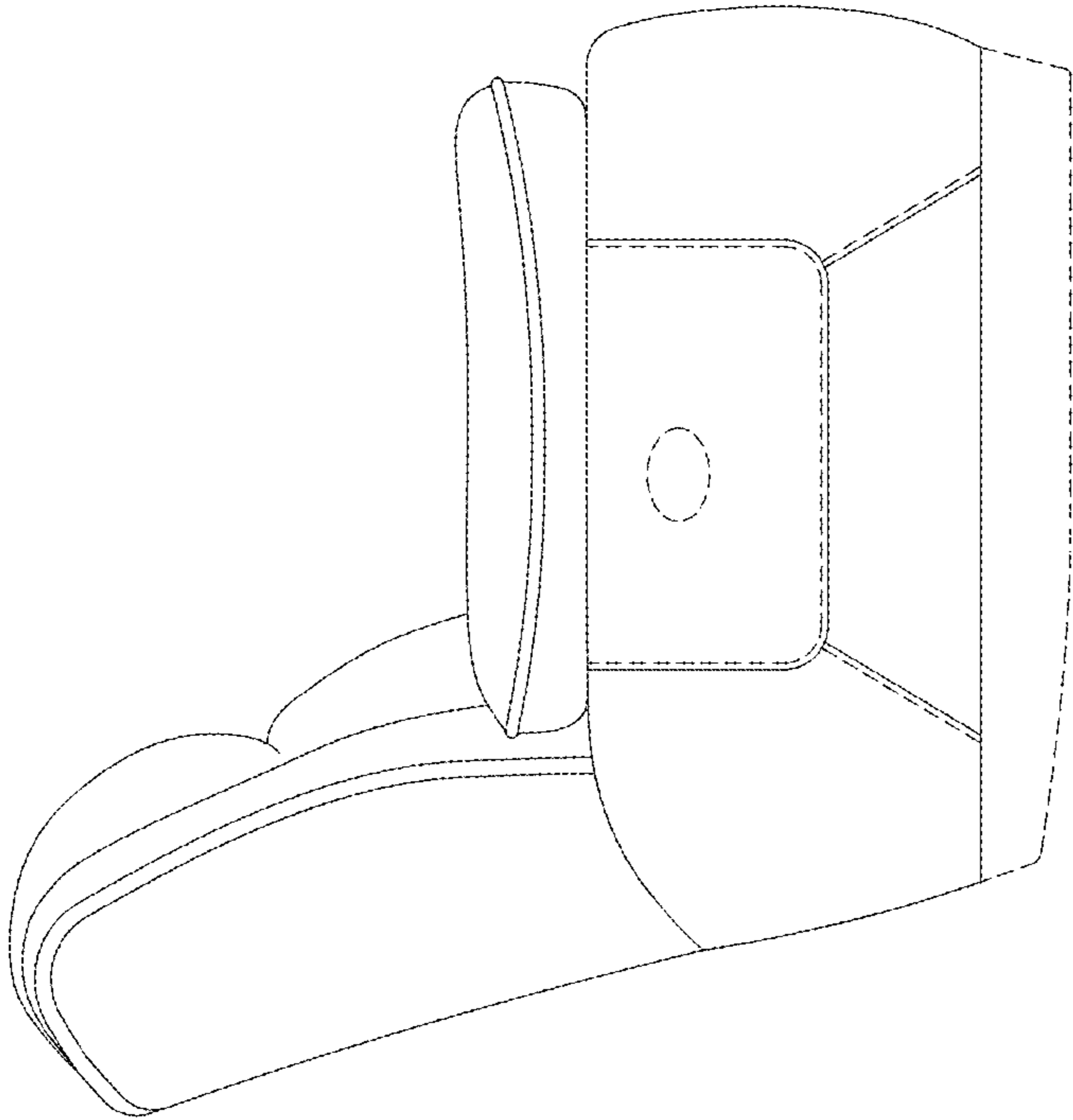


FIG. 5

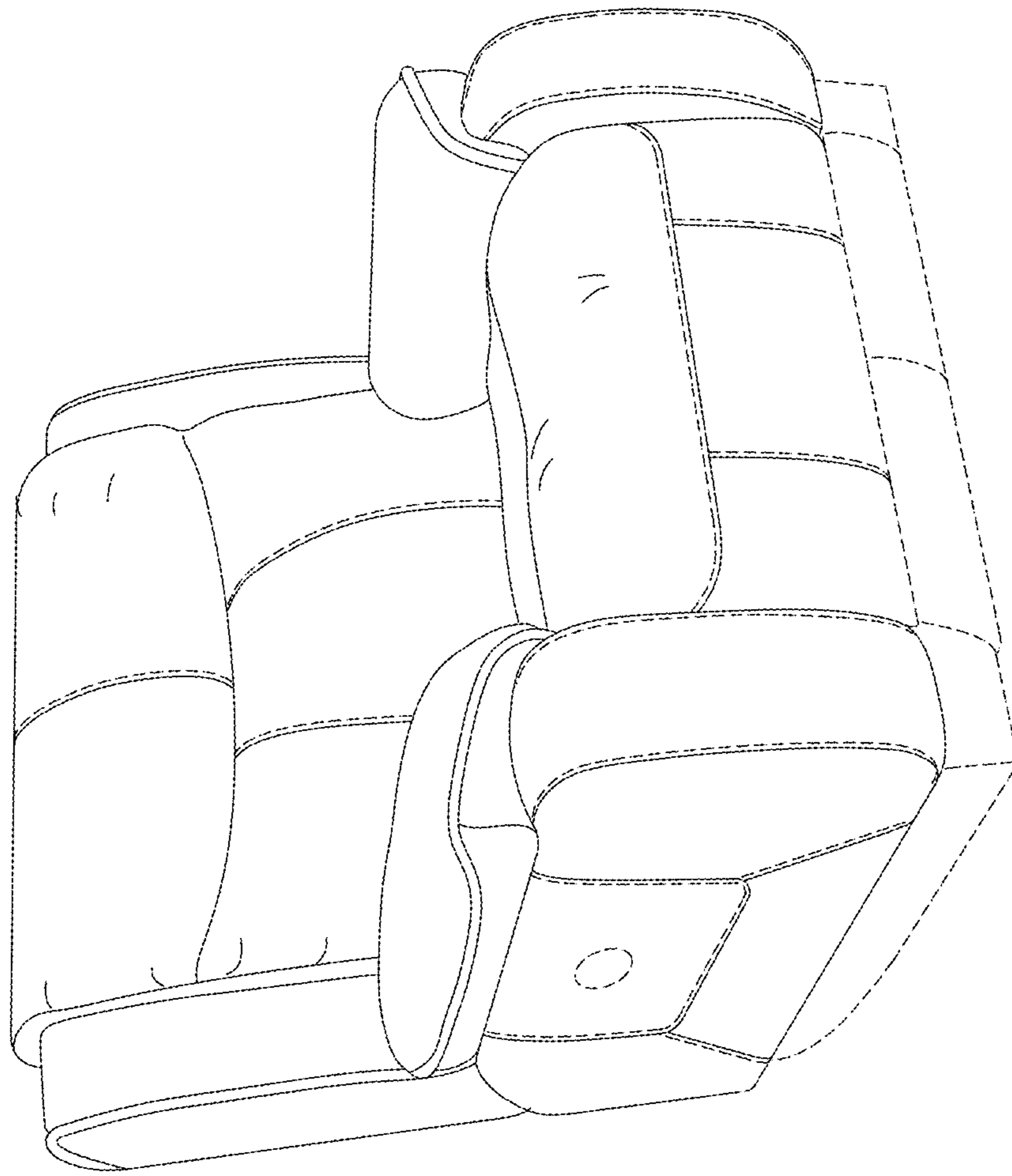


FIG. 6

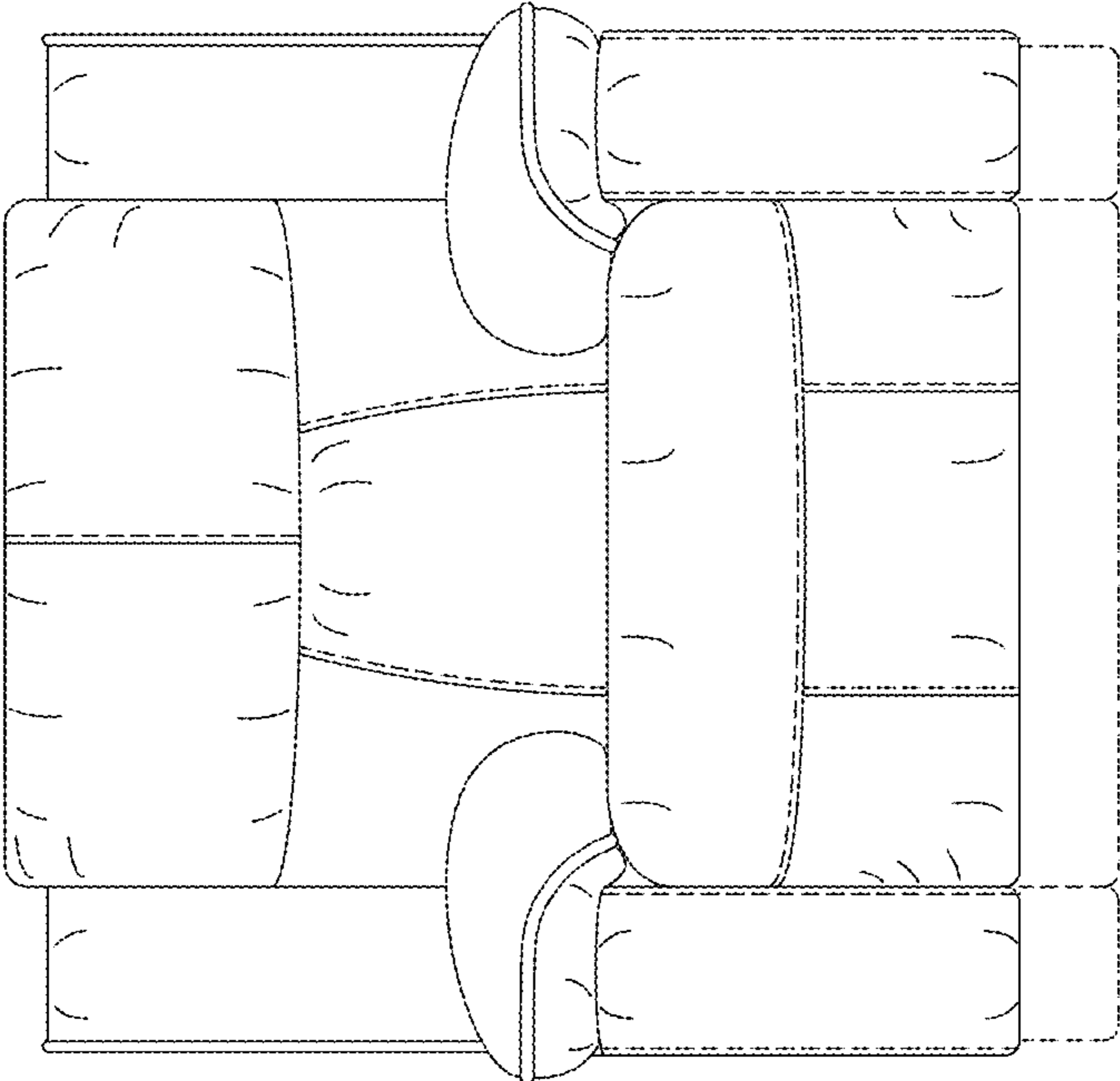


FIG. 7

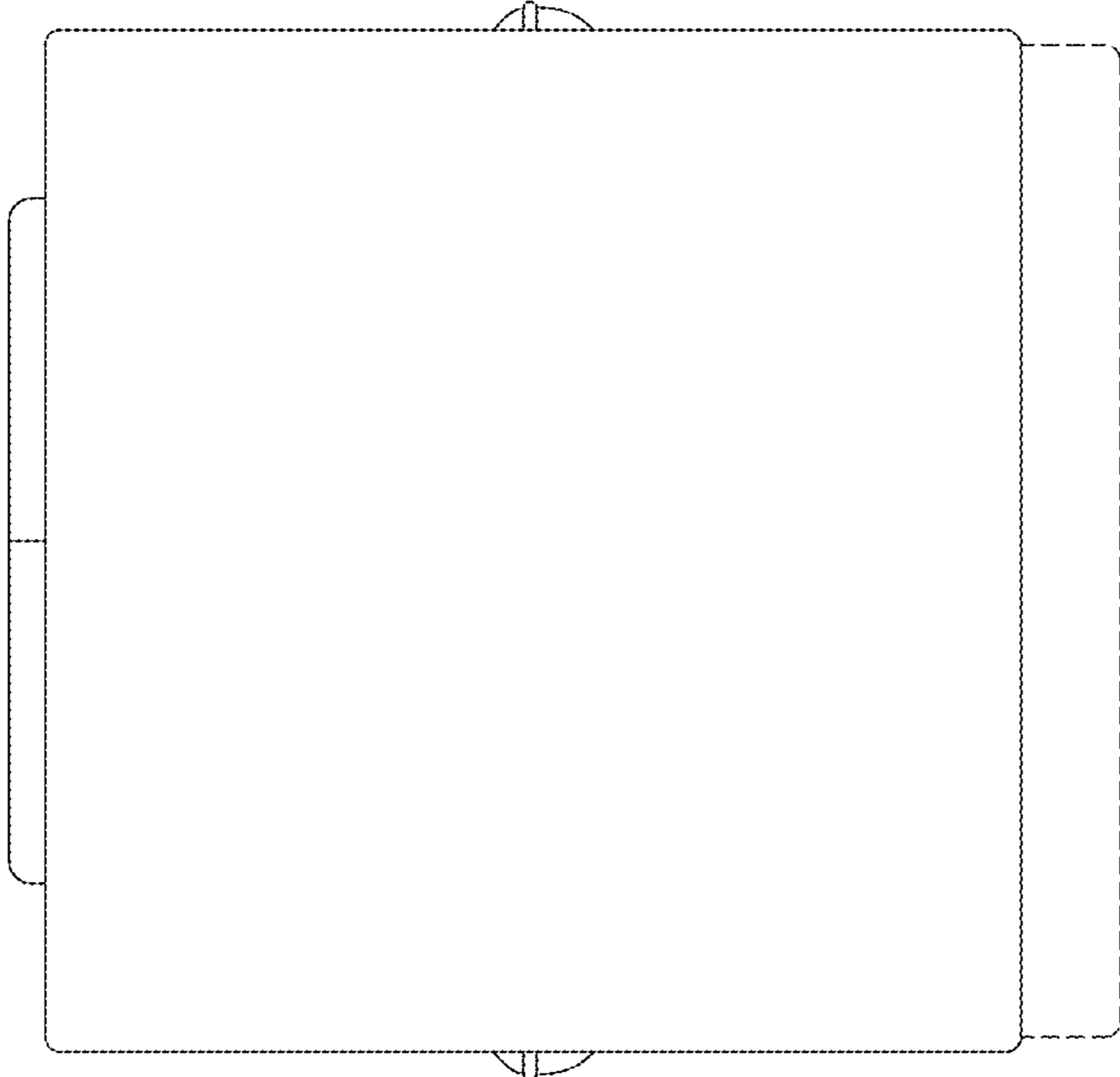


FIG. 8

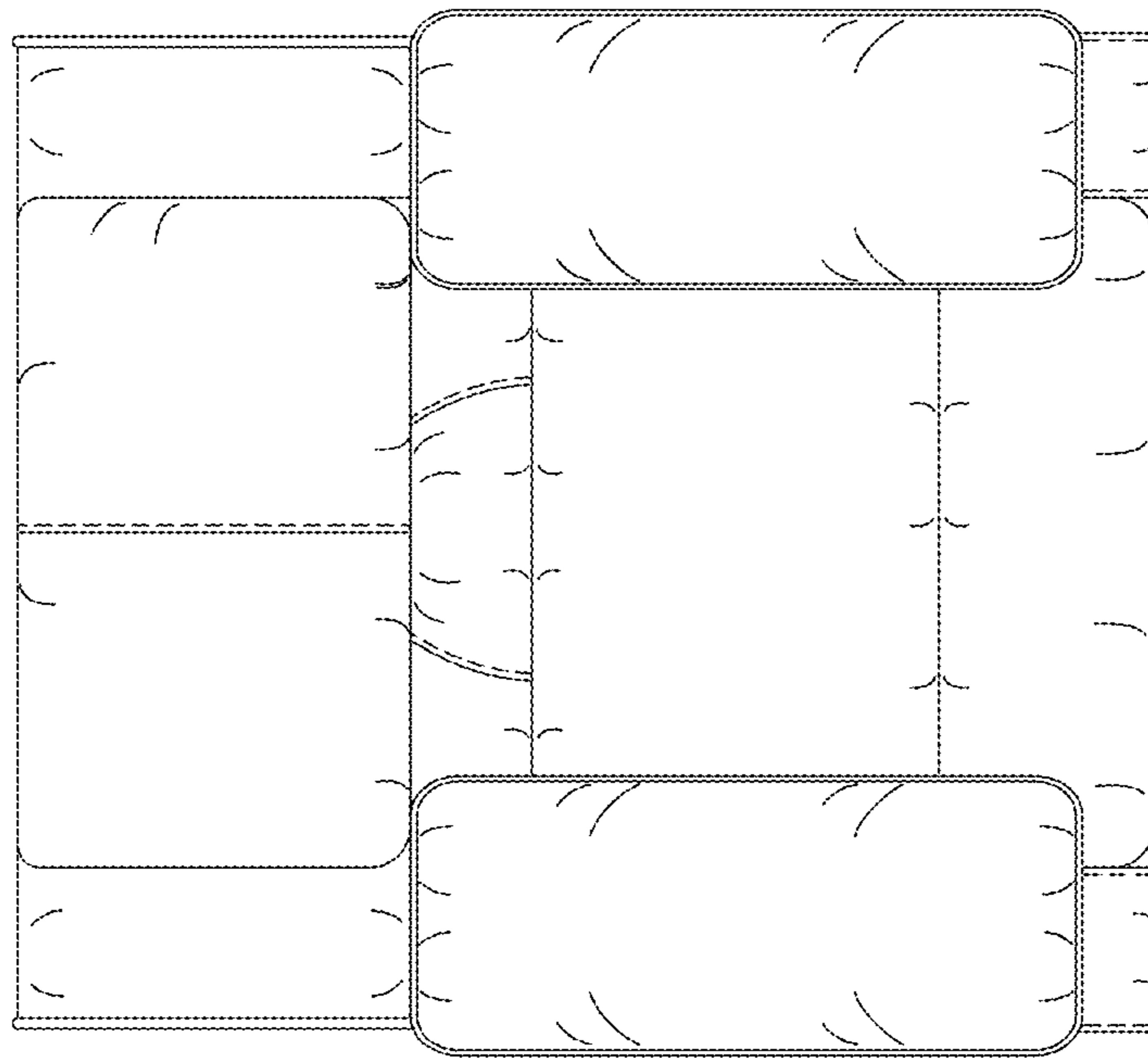


FIG. 9