



US00D776445S

(12) **United States Design Patent**
Contreras

(10) **Patent No.:** **US D776,445 S**
(45) **Date of Patent:** **** Jan. 17, 2017**

(54) **FULLY UPHOLSTERED ADJUSTABLE
CHAISE LOUNGER IN SEATED POSITION
WITH ELEVATED CHAISE**

(71) Applicant: **John S Contreras**, Redondo Beach, CA
(US)

(72) Inventor: **John S Contreras**, Redondo Beach, CA
(US)

(73) Assignee: **Era Nouveau, LLC.**, Redondo Beach,
CA (US)

(**) Term: **14 Years**

(21) Appl. No.: **29/522,665**

(22) Filed: **Apr. 1, 2015**

(51) **LOC (10) Cl.** **06-01**

(52) **U.S. Cl.**

USPC **D6/361**

(58) **Field of Classification Search**

USPC ... D6/334-336, 361, 367, 374, 375, D6/377,
D6/716, 716.1, 716.2, 716.4

CPC A47C 7/50; A47C 7/506; A47C 7/18;
A47C 7/24; A47C 7/022

See application file for complete search history.

(56) **References Cited**

U.S. PATENT DOCUMENTS

D145,092 S * 6/1946 Laskowitz D6/361
D165,717 S * 1/1952 Maurer D6/361

D166,049 S * 2/1952 Rudin et al. D6/361
D166,398 S * 4/1952 Laskowitz D6/361
D166,983 S * 6/1952 Laskowitz D6/361
D175,624 S * 9/1955 Laskowitz D6/361
D190,281 S * 5/1961 Sher D6/361
D200,310 S * 2/1965 Ferro D6/361
D308,768 S * 6/1990 Ferro D6/361
D313,129 S * 12/1990 Ferro D6/361

* cited by examiner

Primary Examiner — Mimoso De

(74) *Attorney, Agent, or Firm* — Kwan & Olynick LLP

(57) **CLAIM**

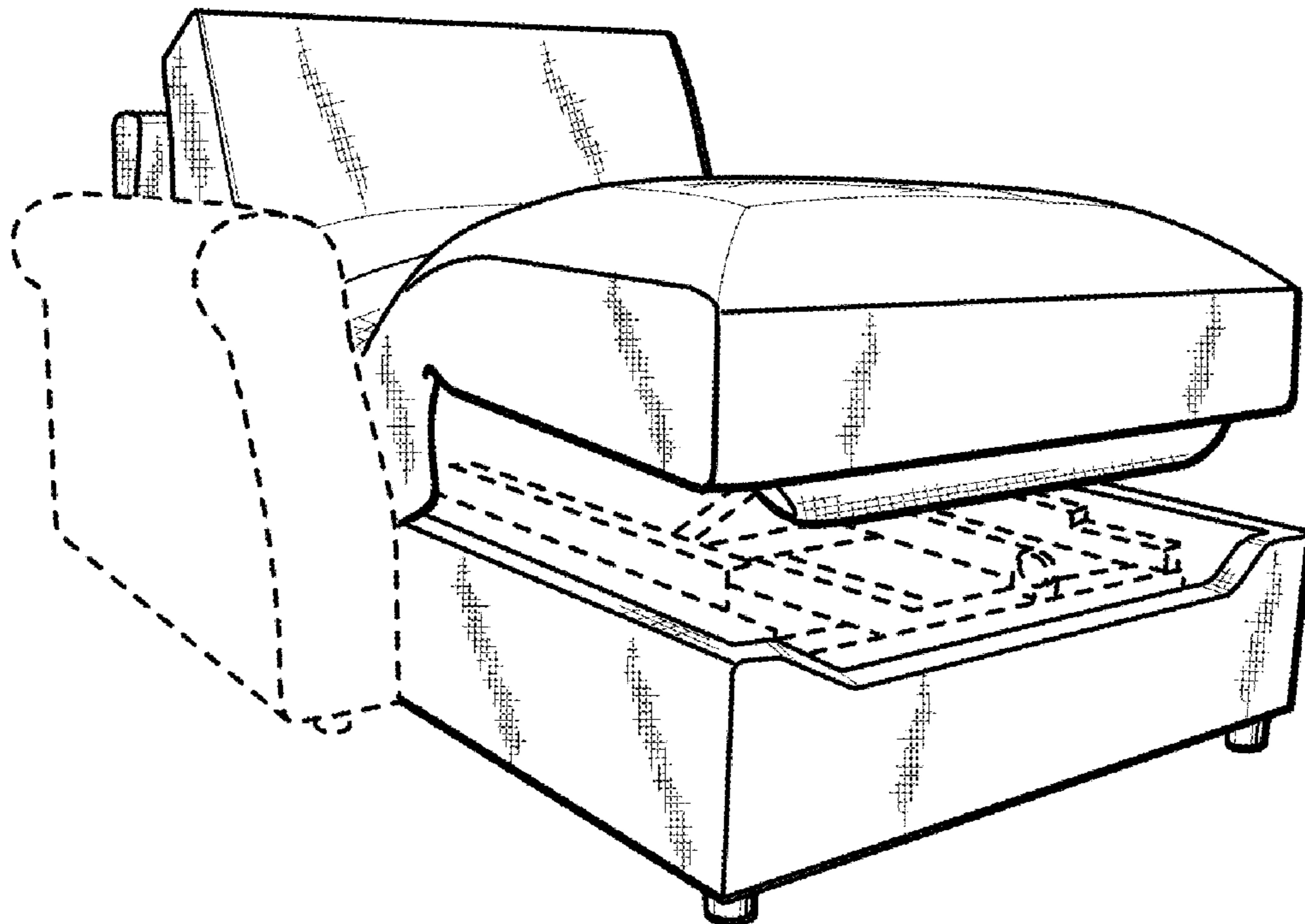
The ornamental design for a fully upholstered adjustable chaise lounger in seated position with elevated chaise, as shown and described.

DESCRIPTION

FIG. 1 is a perspective view of a fully upholstered adjustable chaise lounger in seated position with elevated chaise showing front, top, and left sides; FIG. 2 is a top view thereof; FIG. 3 is a front view thereof; FIG. 4 is a right side view thereof; FIG. 5 is a rear view thereof; and, FIG. 6 is a left side view thereof.

The broken lines shown in the drawing are for the purpose of illustrating environmental structure and form no part of the claimed design.

1 Claim, 2 Drawing Sheets



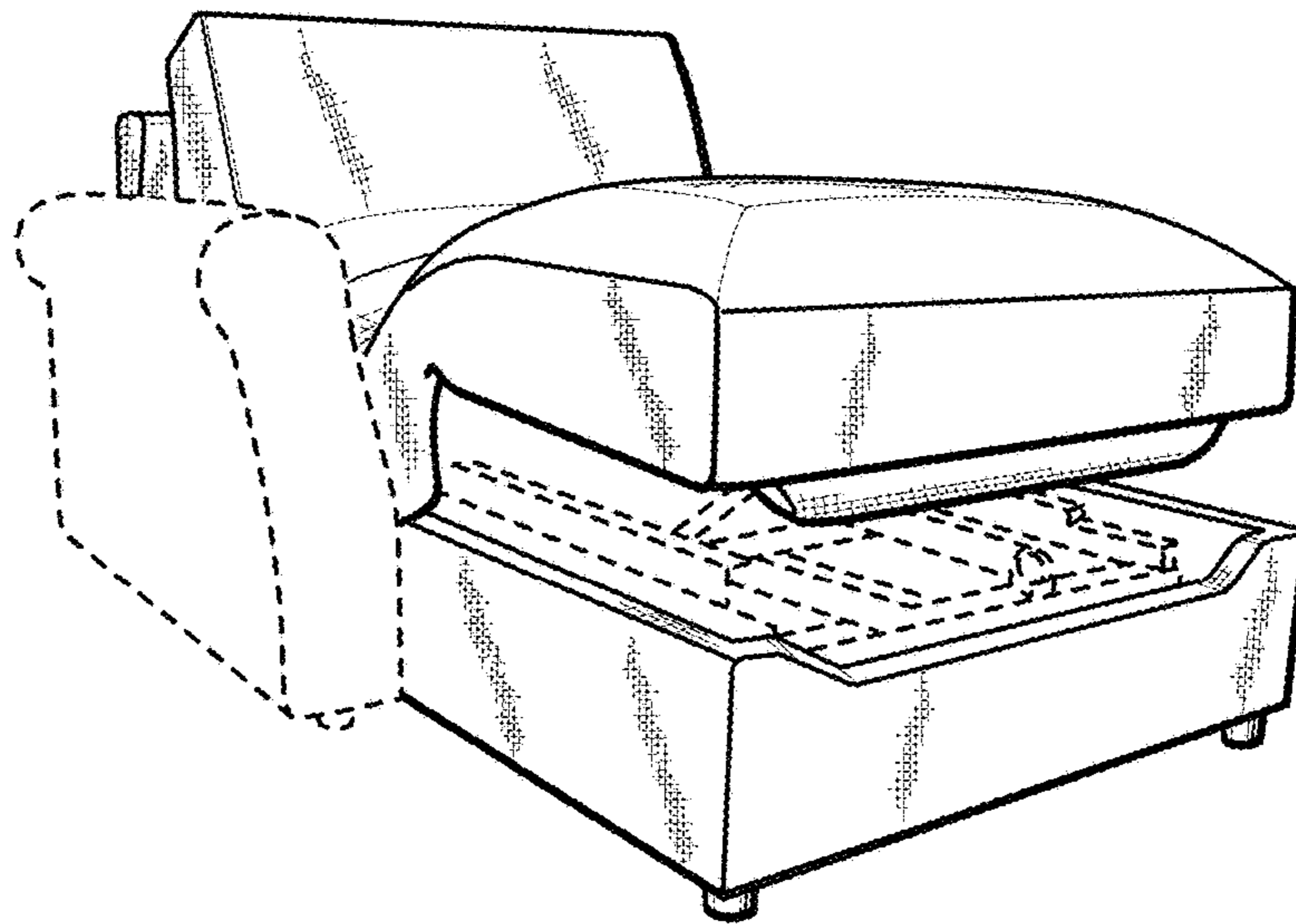


FIG. 1

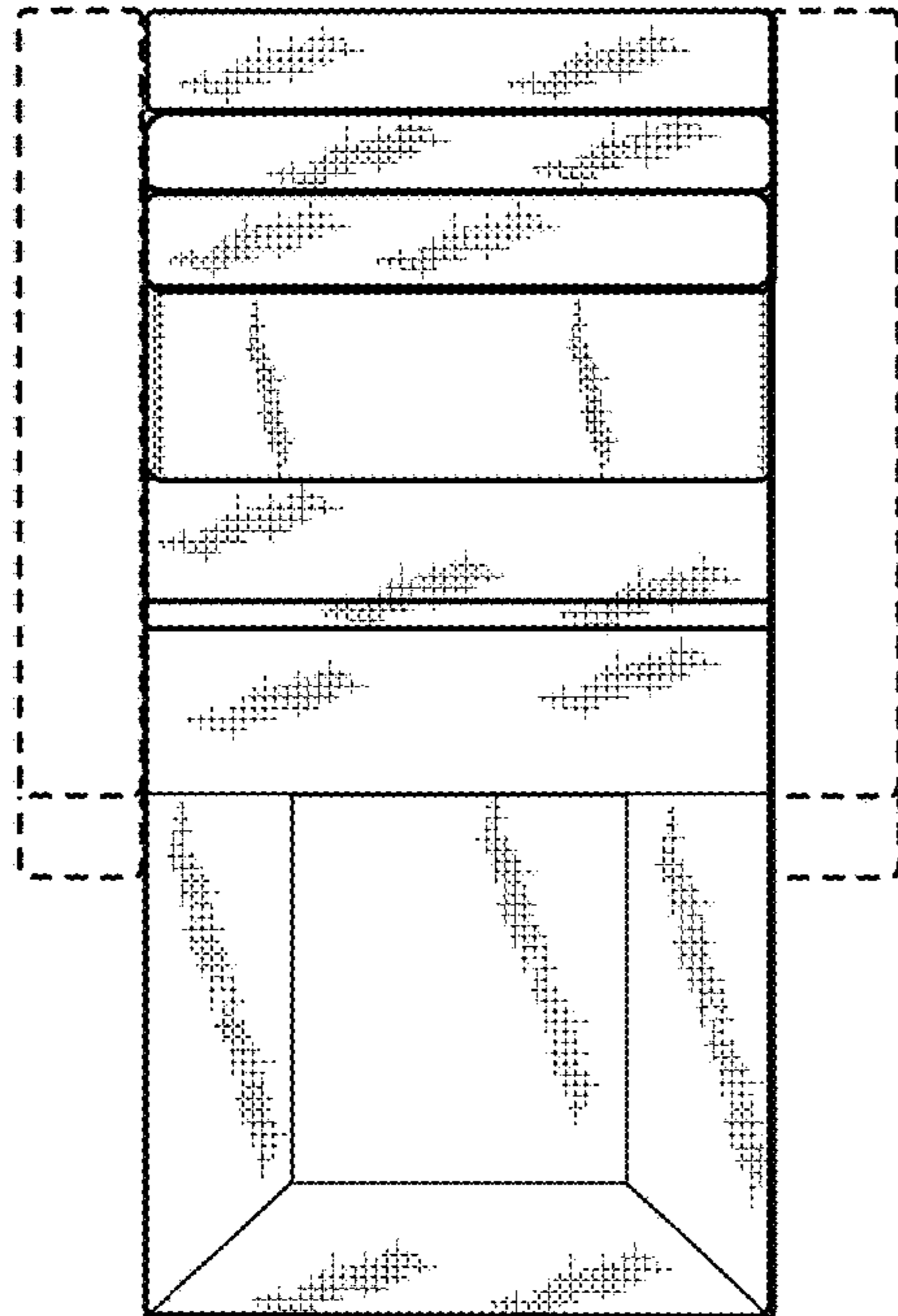


FIG. 2

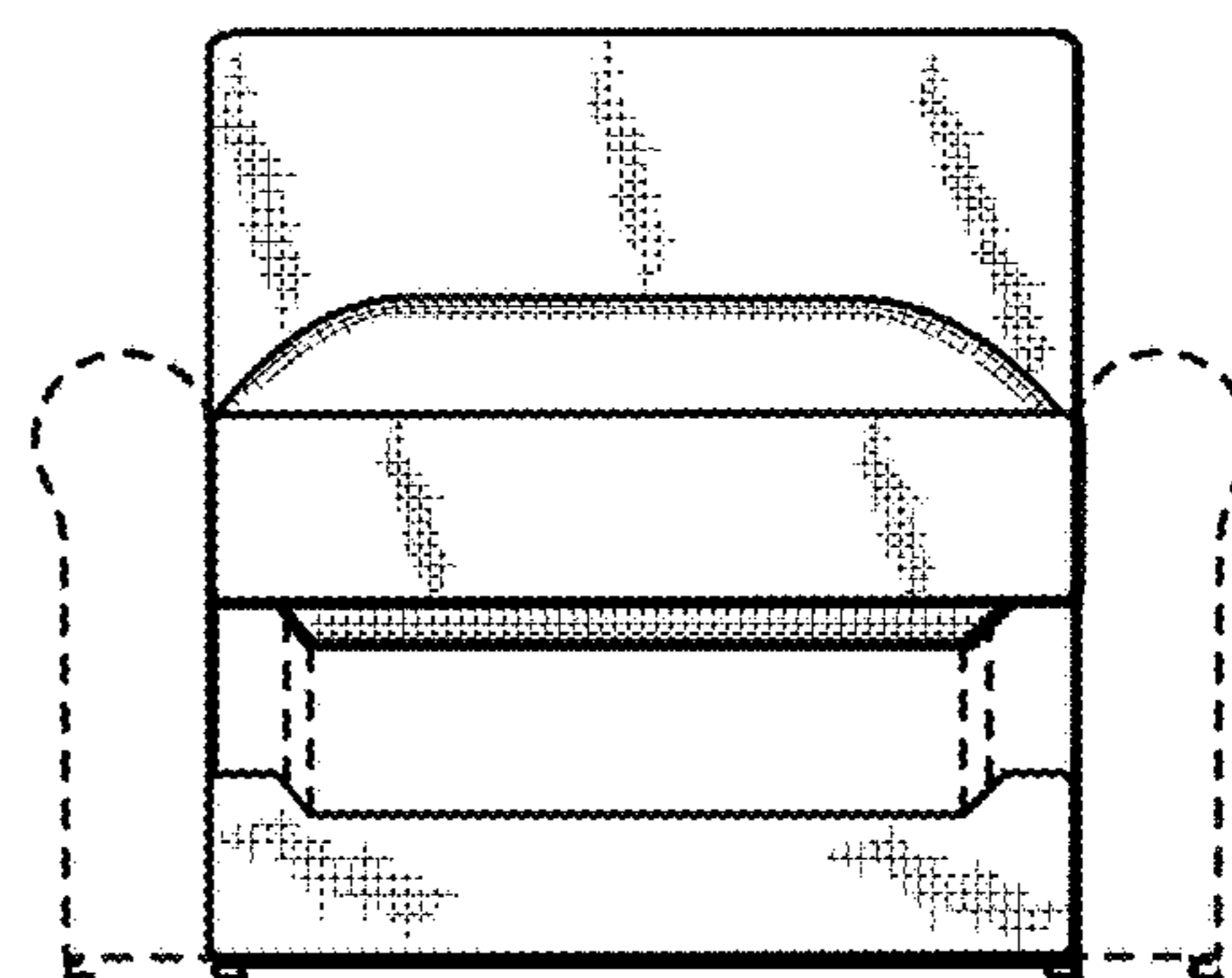


FIG. 3

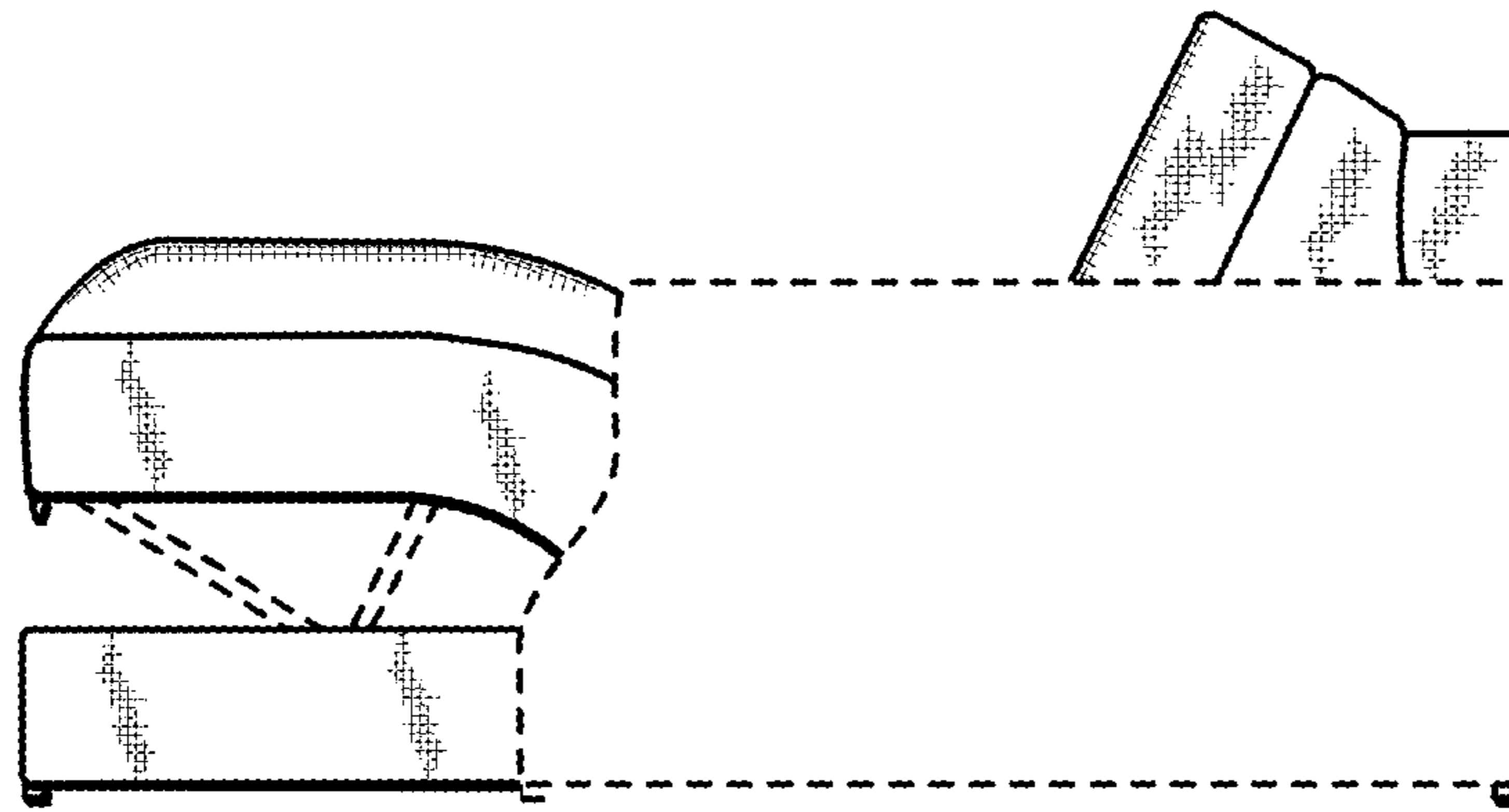


FIG. 4

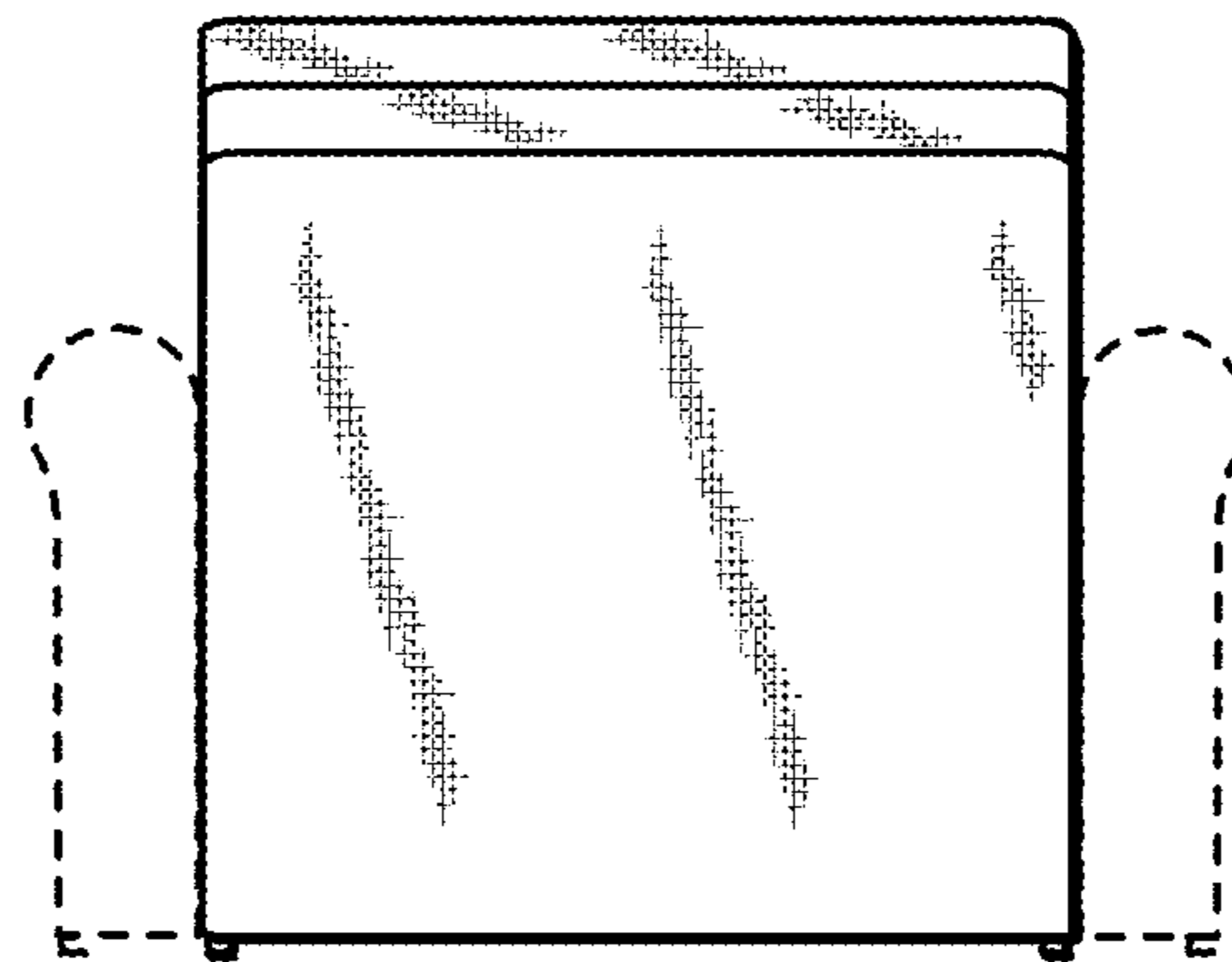


FIG. 5

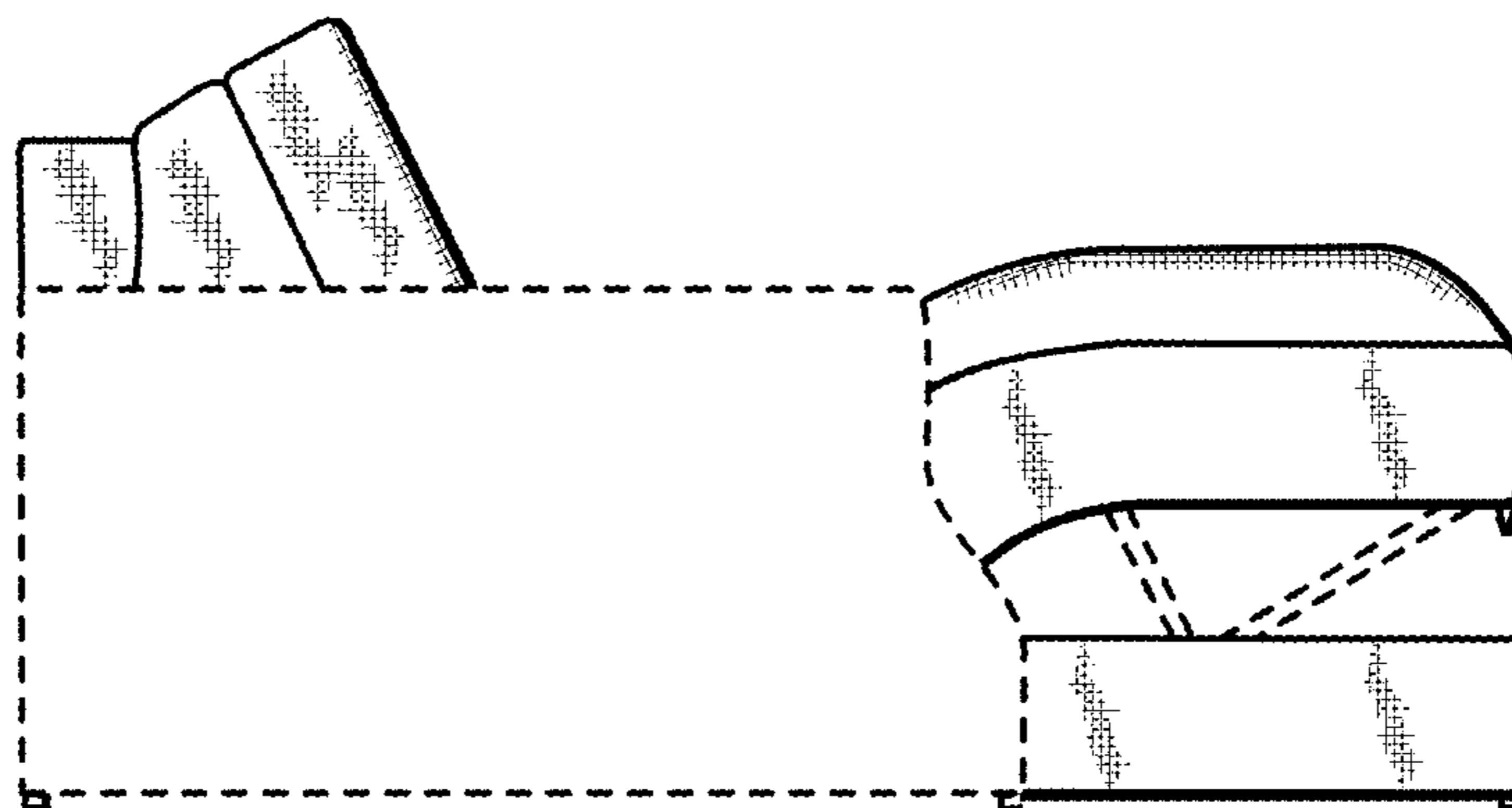


FIG. 6