



US00D776440S

(12) **United States Design Patent** (10) **Patent No.:** **US D776,440 S**
Jain (45) **Date of Patent:** **** Jan. 17, 2017**

(54) **COSMETIC BRUSH**

(71) Applicant: **Indeutsch Industries Private Limited,**
Noida (IN)

(72) Inventor: **Samir Jain,** Noida (IN)

(73) Assignee: **INDEUTSCH INDUSTRIES**
PRIVATE LIMITED, Nodia (IN)

(**) Term: **15 Years**

(21) Appl. No.: **29/548,866**

(22) Filed: **Dec. 17, 2015**

(30) **Foreign Application Priority Data**

Dec. 15, 2015 (EM) 002910968

(51) **LOC (10) Cl.** **04-02**

(52) **U.S. Cl.**
USPC **D4/135**

(58) **Field of Classification Search**

USPC D4/121, 127, 135, 138; 15/106, 159.1,
15/160, 176.1, 184, 190-194; 132/289,
132/294, 298, 313, 317, 320; 401/123,
141, 175, 281

CPC A43B 7/026; A43B 5/005; A43B 17/04;
A43B 2200/1046

See application file for complete search history.

(56) **References Cited**

U.S. PATENT DOCUMENTS

D278,951 S *	5/1985	Kalinsky	D28/7
D376,910 S *	12/1996	Tuchman	401/139
6,039,051 A *	3/2000	Dorf	A45D 40/28
				132/313
D435,349 S *	12/2000	Kim	D4/135
D450,930 S *	11/2001	Mink	D4/135
D450,931 S *	11/2001	Mink	D4/135

D454,001 S *	3/2002	Mink	D4/127
D571,559 S *	6/2008	Riaz	D4/135
D591,512 S *	5/2009	Mongeon	D28/7
D625,522 S *	10/2010	Riaz	D4/135
D630,437 S *	1/2011	Carey	D4/116
D662,324 S *	6/2012	Garcia	D4/135
D713,646 S *	9/2014	Mink	D4/135
D714,558 S *	10/2014	Mink	D4/135
D749,858 S *	2/2016	Snook	D4/135
D749,859 S *	2/2016	Snook	D4/135
D762,988 S *	8/2016	Xavier	D4/127

* cited by examiner

Primary Examiner — Austin Murphy

(74) *Attorney, Agent, or Firm* — Katten Muchin
Rosenman LLP

(57) **CLAIM**

The ornamental design for the cosmetic brush, as shown and described.

DESCRIPTION

FIG. 1 is a front perspective view of a cosmetic brush of the present invention;

FIG. 2 is a frontal view of the cosmetic brush of the present invention;

FIG. 3 is a rear view of the cosmetic brush of the present invention;

FIG. 4 is a first side view of the cosmetic brush of the present invention;

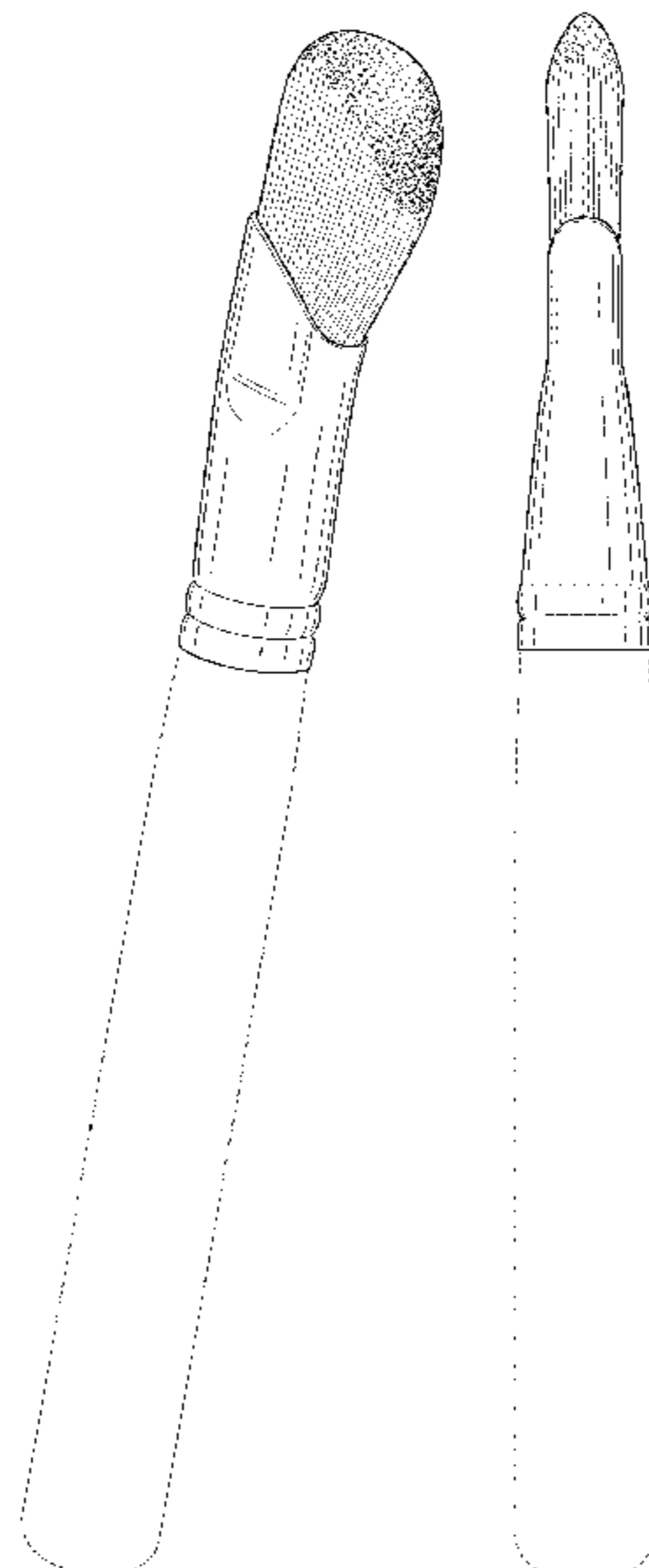
FIG. 5 is a second side view of the cosmetic brush of the present invention;

FIG. 6 is a bottom view of the cosmetic brush of the present invention; and,

FIG. 7 is a top view of the cosmetic brush of the present invention.

The broken lines in the drawings represent unclaimed subject matter and form no part of the claim.

1 Claim, 4 Drawing Sheets



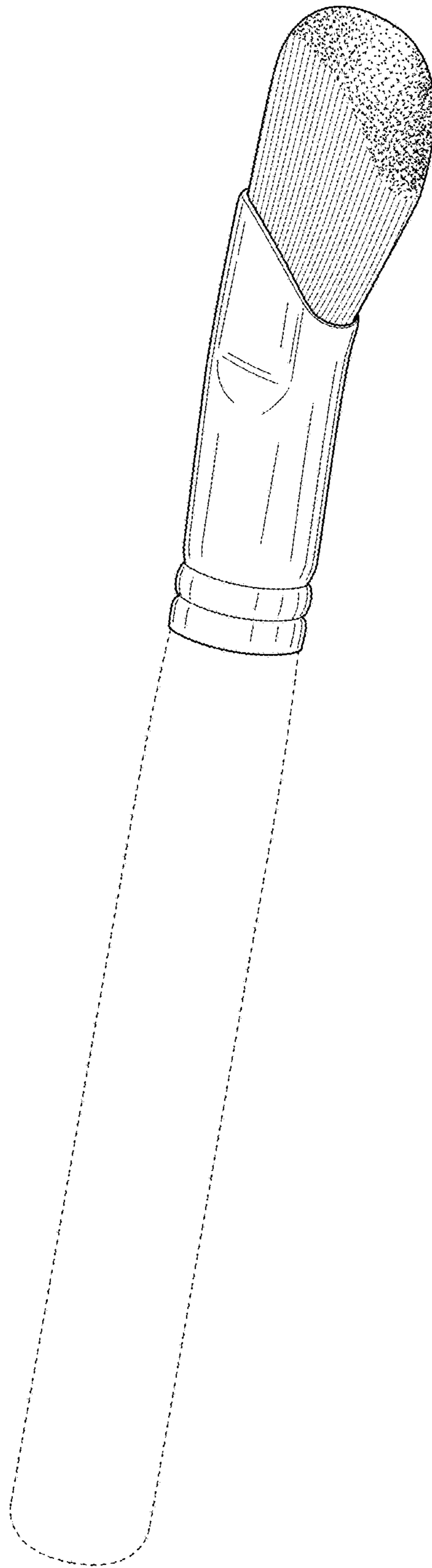


FIG. 1

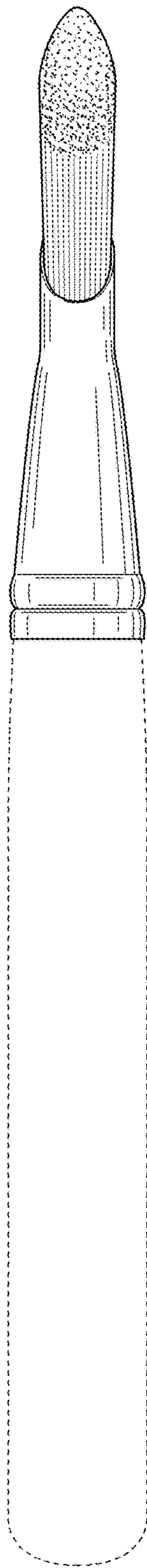


FIG. 2

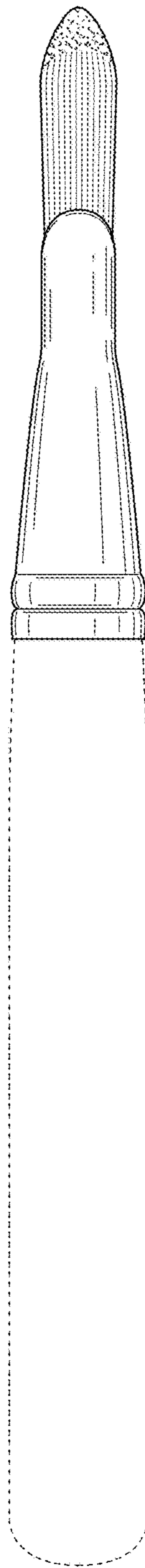


FIG. 3

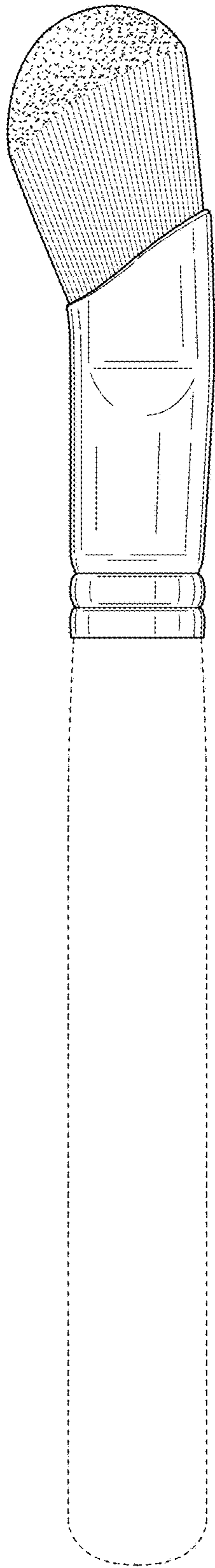


FIG. 4

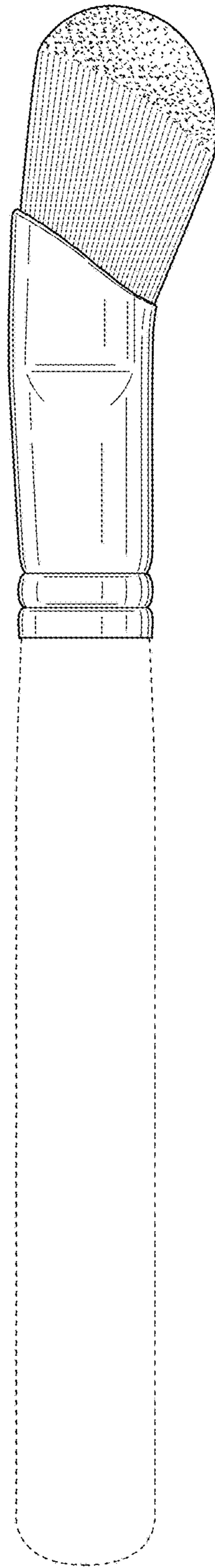


FIG. 5

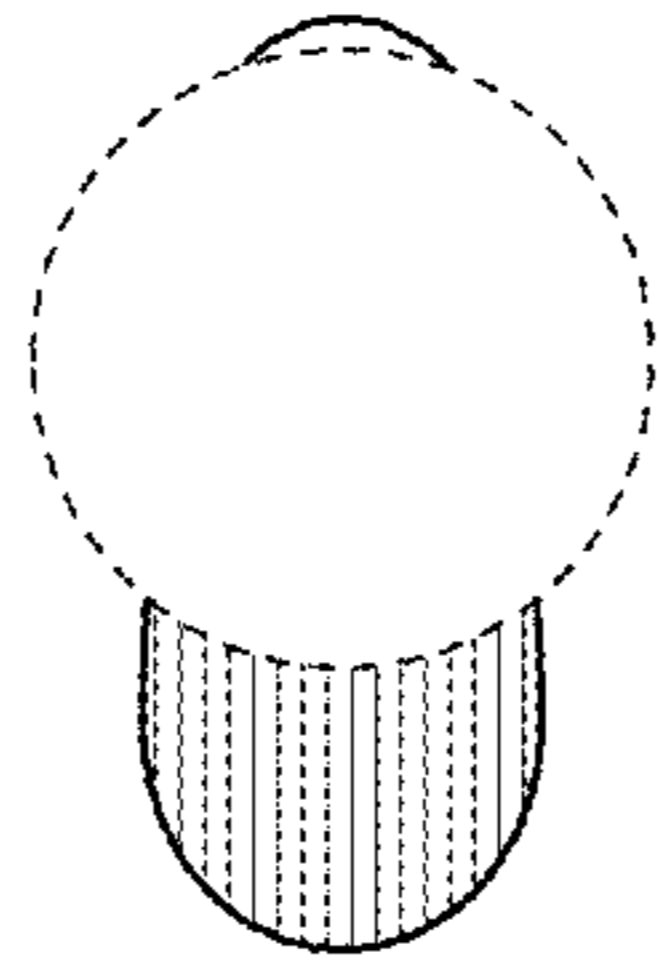


FIG. 6

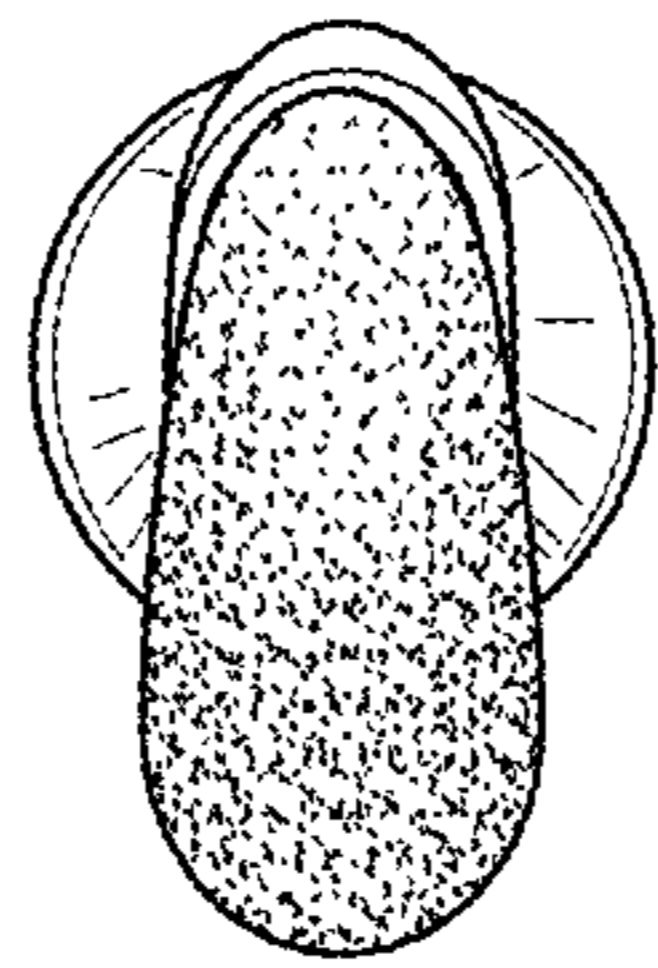


FIG. 7