

US00D776439S

(12) **United States Design Patent** (10) **Patent No.:** **US D776,439 S**
Schreiber et al. (45) **Date of Patent:** **** Jan. 17, 2017**

(54) **APPLICATOR**

(71) Applicant: **Albéa Services**, Gennevilliers (FR)
(72) Inventors: **Camille Schreiber**, Paris (FR); **Yann Crapet**, Fremecourt (FR); **Pauline Uhlen**, Levallois Perret (FR)
(73) Assignee: **ALBÉA SERVICES**, Gennevilliers (FR)

(**) Term: **15 Years**

(21) Appl. No.: **29/546,351**

(22) Filed: **Nov. 20, 2015**

(30) **Foreign Application Priority Data**

May 22, 2015 (EM) 002706218-0001

(51) **LOC (10) Cl.** **04-02**

(52) **U.S. Cl.**
USPC **D4/128**

(58) **Field of Classification Search**
USPC D4/128, 129, 131, 136, 138, 108, 109, D4/119; D32/35, 51; 15/104.5, 104.16, 15/104.2, 104.31, 104.32, 164, 165, 206; D28/65; D7/682; 452/298, 458
CPC A46B 7/026; A46B 5/005; A46B 17/04; A46B 2200/1046
See application file for complete search history.

(56) **References Cited**

U.S. PATENT DOCUMENTS

D550,460 S * 9/2007 Dunn D4/128
D579,208 S * 10/2008 Berhault D4/128

D593,331 S * 6/2009 Berhault D4/128
D600,922 S * 9/2009 Berhault D4/128
D604,513 S * 11/2009 Lemen D4/128
D633,305 S * 3/2011 Pires D4/128
D664,361 S * 7/2012 Edmondson D4/128
D708,856 S * 7/2014 Rutigliano D4/128
2009/0065020 A1 * 3/2009 Butcher A45D 40/265
132/218
2016/0206080 A1 * 7/2016 Uresti A46B 9/021

* cited by examiner

Primary Examiner — Austin Murphy

(74) *Attorney, Agent, or Firm* — Banner & Witcoff, Ltd.

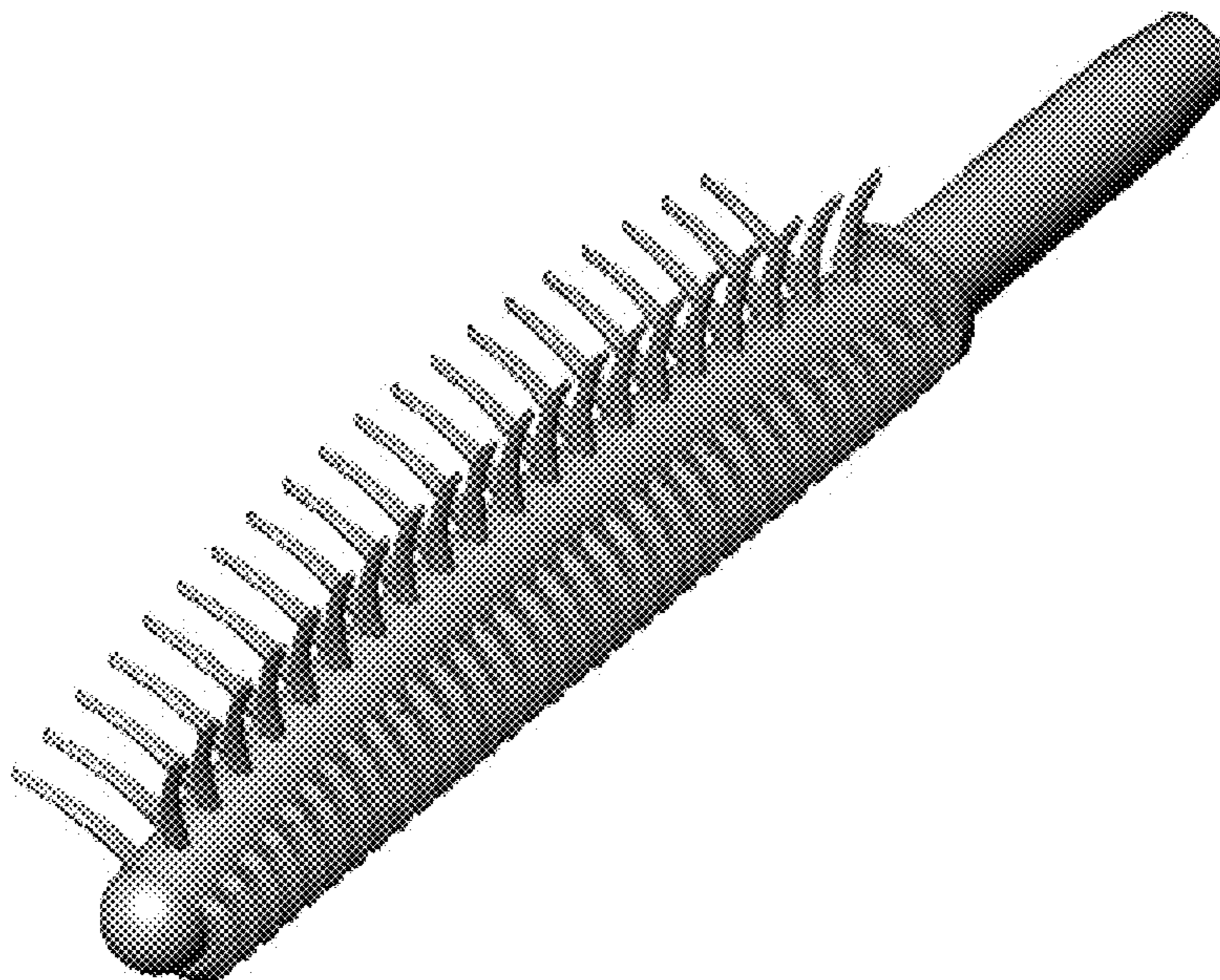
(57) **CLAIM**

The ornamental design for an applicator, as shown and described.

DESCRIPTION

FIG. 1 is a top, front, right perspective view of an applicator showing our new design;
FIG. 2 is a front view thereof;
FIG. 3 is a rear view thereof;
FIG. 4 is a side view thereof; wherein the alternate side view is a mirror image of FIG. 4;
FIG. 5 is a top view thereof; and,
FIG. 6 is a bottom view thereof.
The contrast in shading represents a contrast in appearance only and does not represent any particular color, material, texture or finish.

1 Claim, 6 Drawing Sheets



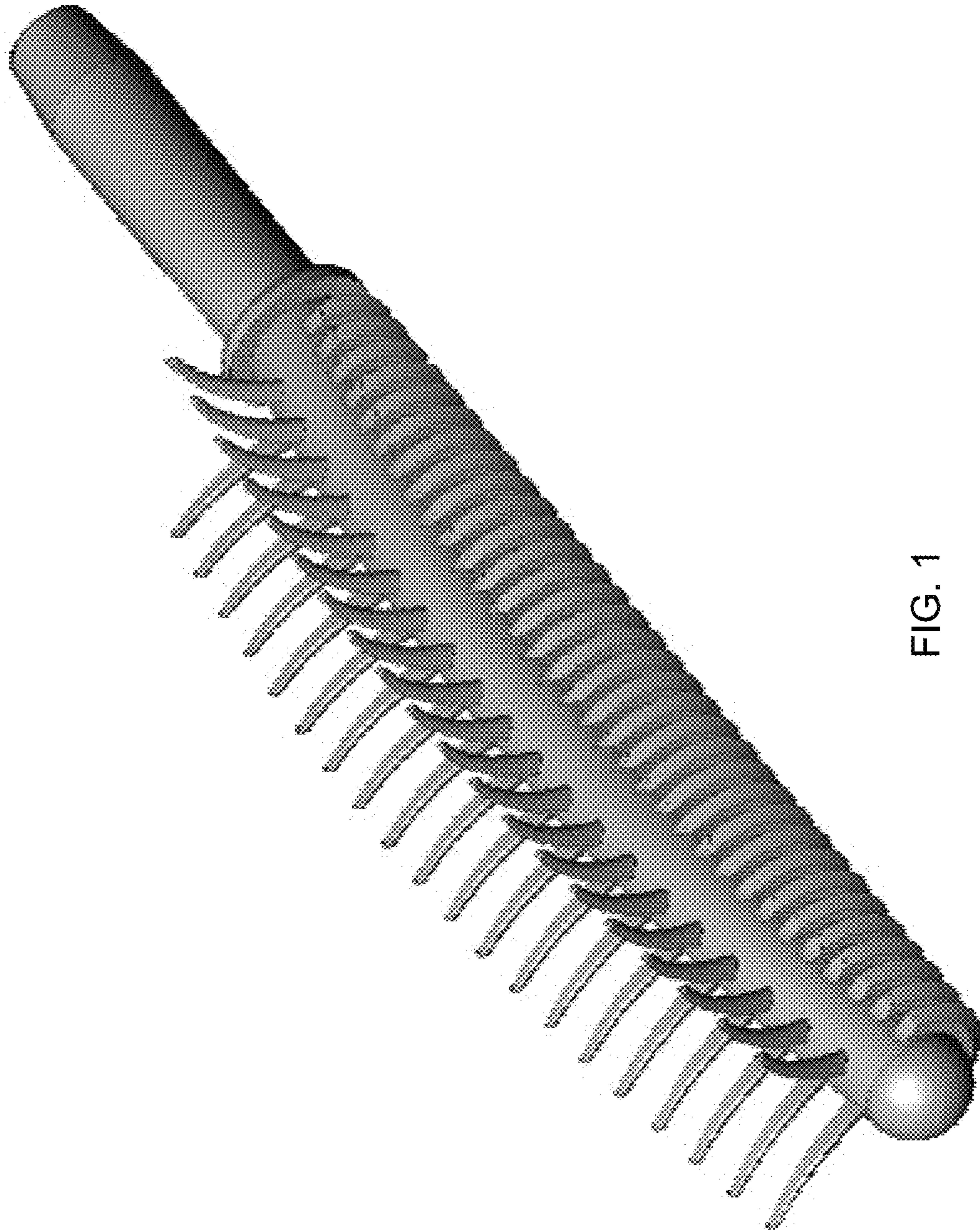


FIG. 1

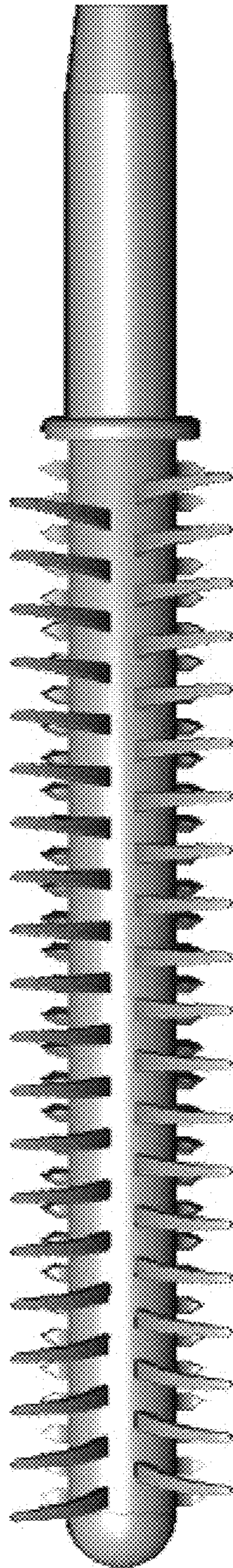


FIG. 2

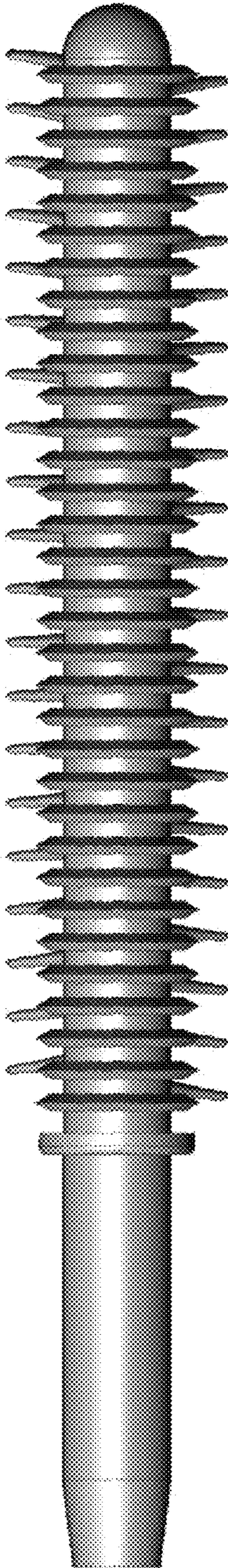


FIG. 3

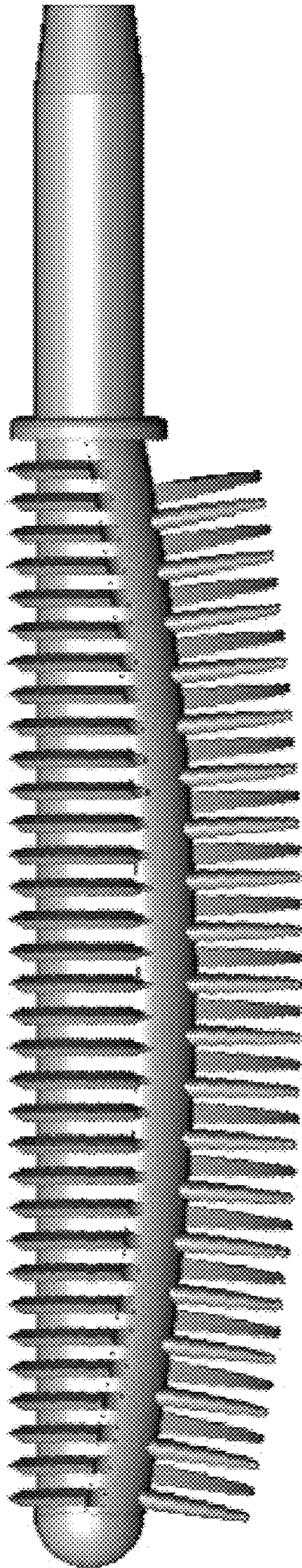


FIG. 4

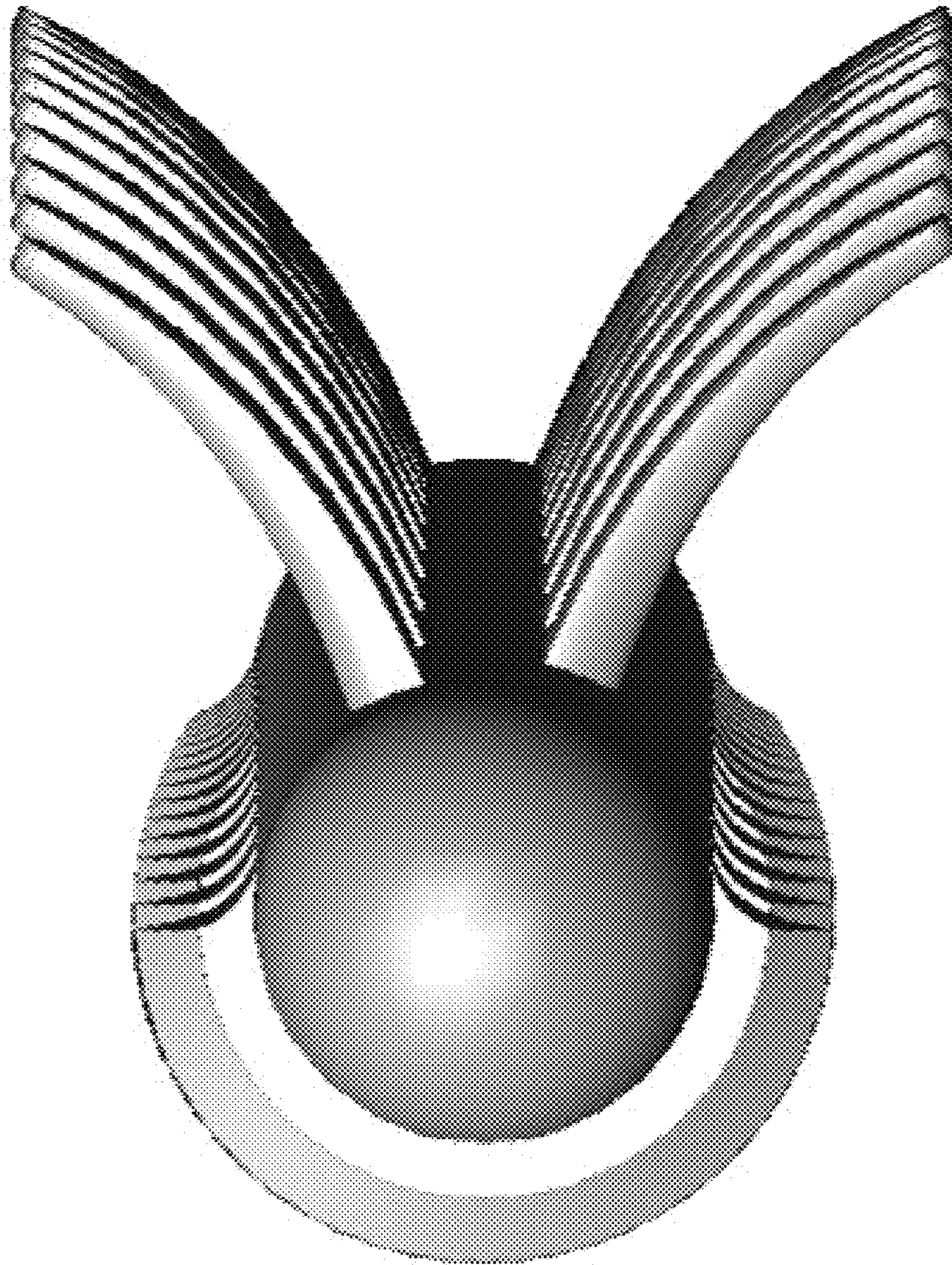


FIG. 5



FIG. 6