



US00D776432S

(12) **United States Design Patent**
Renshaw et al.

(10) **Patent No.:** **US D776,432 S**
(45) **Date of Patent:** **** Jan. 17, 2017**

(54) **LUGGAGE WITH ZIPPER AND IDENTIFICATION TAG**

DESCRIPTION

- (71) Applicant: **Round Circle Group Ltd.**, Schomberg (CA)
- (72) Inventors: **Johnson Lee Renshaw**, Schomberg (CA); **Sean Renshaw**, Barrie (CA)
- (73) Assignee: **Round Circle Group LTD.**, Schomberg (CA)
- (**) Term: **15 Years**
- (21) Appl. No.: **29/543,053**
- (22) Filed: **Oct. 20, 2015**
- (51) **LOC (10) Cl.** **03-01**
- (52) **U.S. Cl.**
USPC **D3/318**
- (58) **Field of Classification Search**
USPC D3/232–233, 240–243, 245–246, 318
(Continued)

(56) **References Cited**

U.S. PATENT DOCUMENTS

- D380,607 S * 7/1997 Leben D3/243
- D547,060 S * 7/2007 Delafontaine D3/233

* cited by examiner

Primary Examiner — Holly Baynham

(74) *Attorney, Agent, or Firm* — Nixon Peabody LLP

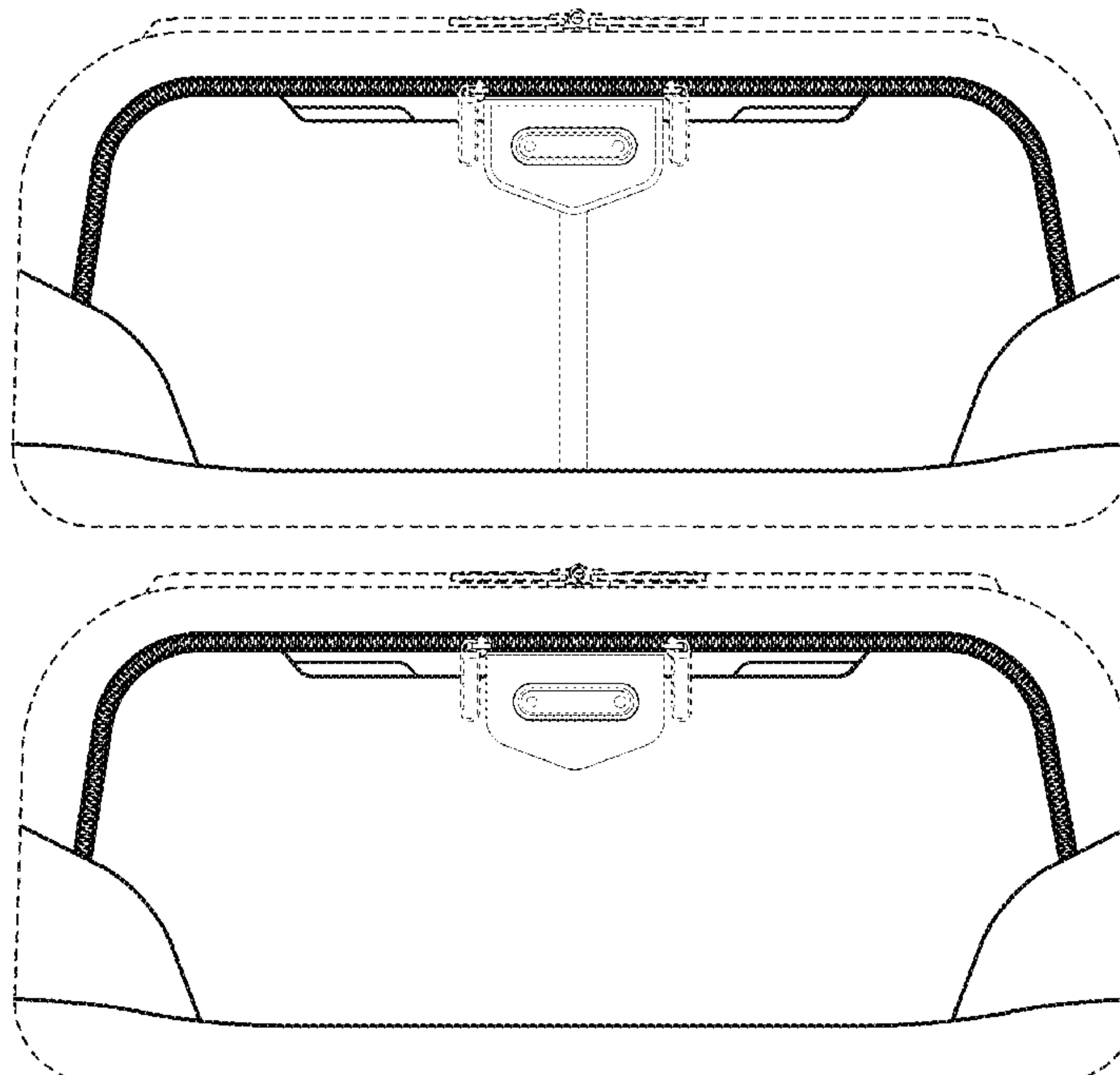
(57) **CLAIM**

The ornamental design for “luggage with zipper and identification tag,” as shown and described.

FIG. 1 is a left view of a luggage item, according to a first configuration of a first embodiment.
 FIG. 2 is a right view of the luggage item shown in FIG. 1.
 FIG. 3 is a left view of a luggage item, according to a second configuration of the first embodiment.
 FIG. 4 is a right view of the luggage item shown in FIG. 3.
 FIG. 5 is a left view of a luggage item, according to a third configuration of the first embodiment;
 FIG. 6 is a right view of the luggage item shown in FIG. 5.
 FIG. 7 is a left view of a luggage item, according to a fourth configuration of the first embodiment.
 FIG. 8 is a right view of the luggage item shown in FIG. 7.
 FIG. 9 is a left view of a luggage item, according to a first configuration of a second embodiment.
 FIG. 10 is a right view of the luggage item shown in FIG. 9.
 FIG. 11 is a left view of a luggage item, according to a second configuration of the second embodiment.
 FIG. 12 is a right view of the luggage item shown in FIG. 11.
 FIG. 13 is a left view of a luggage item, according to a third configuration of the second embodiment.
 FIG. 14 is a right view of the luggage item shown in FIG. 13.
 FIG. 15 is a left view of a luggage item, according to a fourth configuration of the second embodiment; and,
 FIG. 16 is a right view of the luggage item shown in FIG. 15.

The broken lines showing luggage are for the purposes of illustrating environment and form no part of the claimed design.

1 Claim, 8 Drawing Sheets



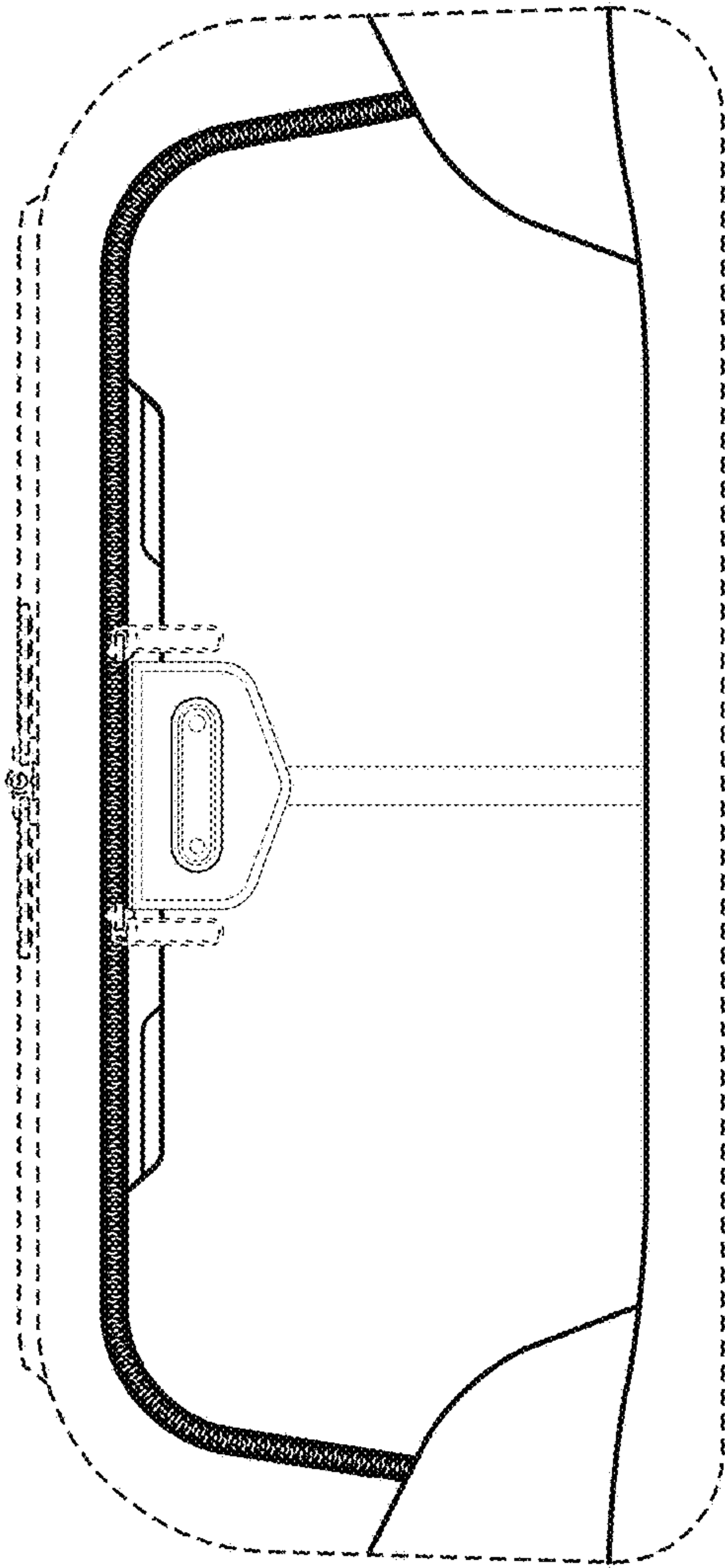


FIG. 1

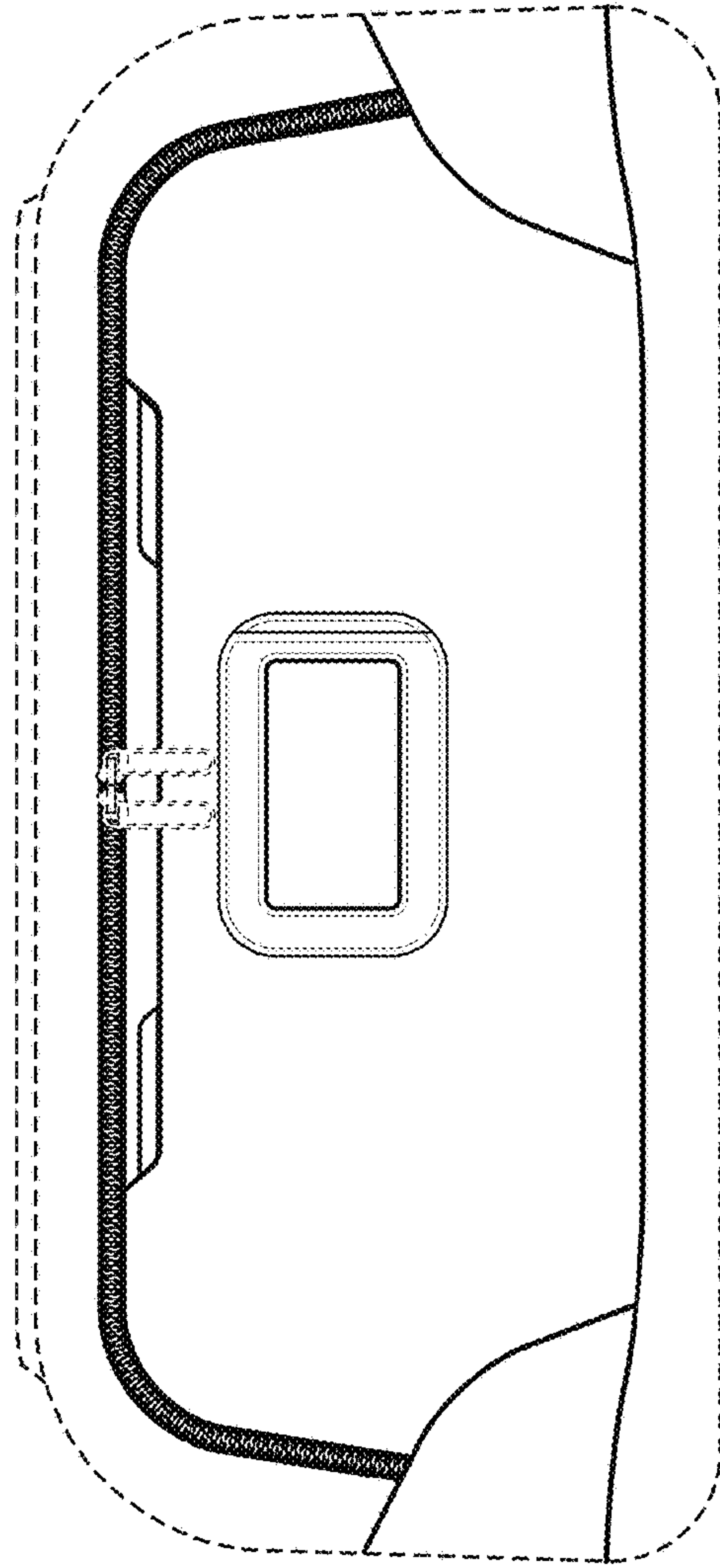


FIG. 2

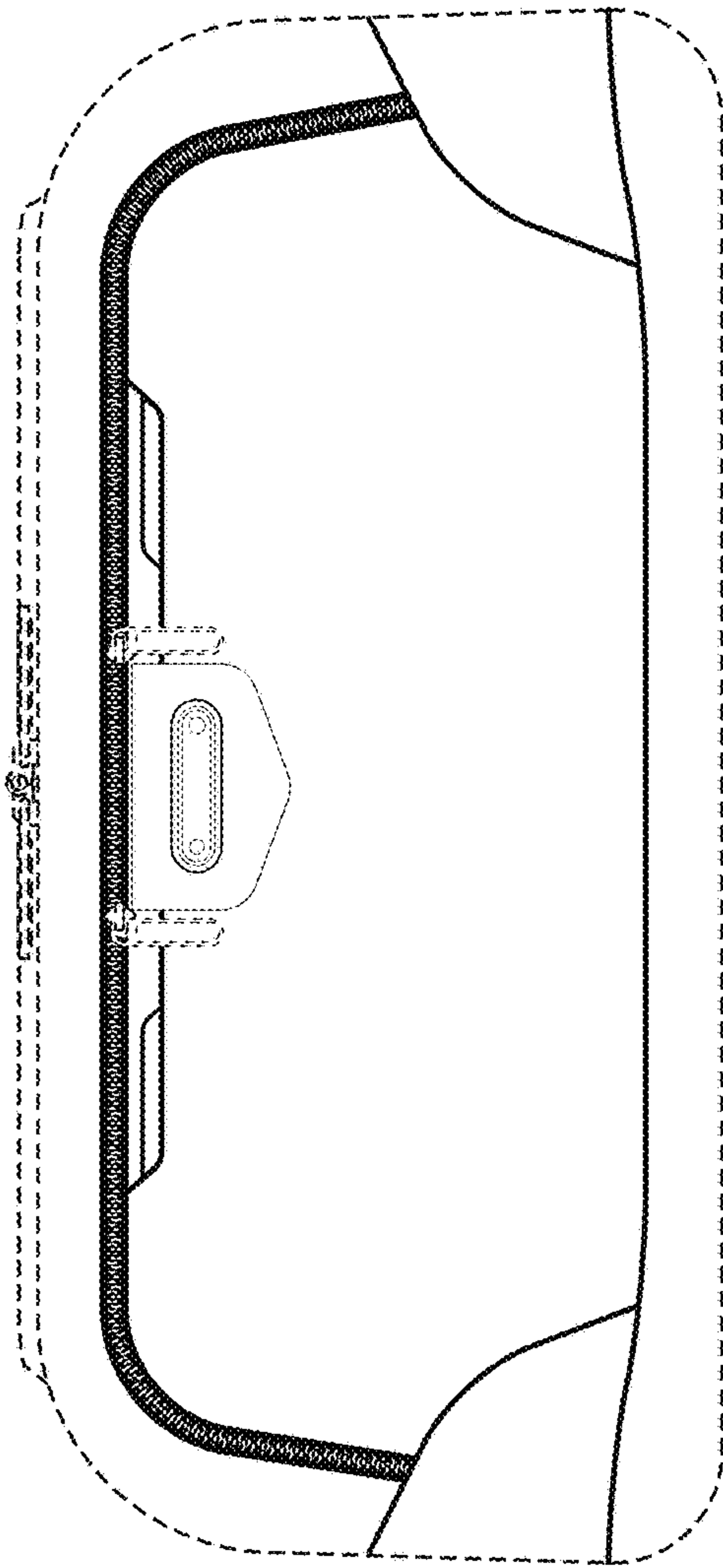


FIG. 3

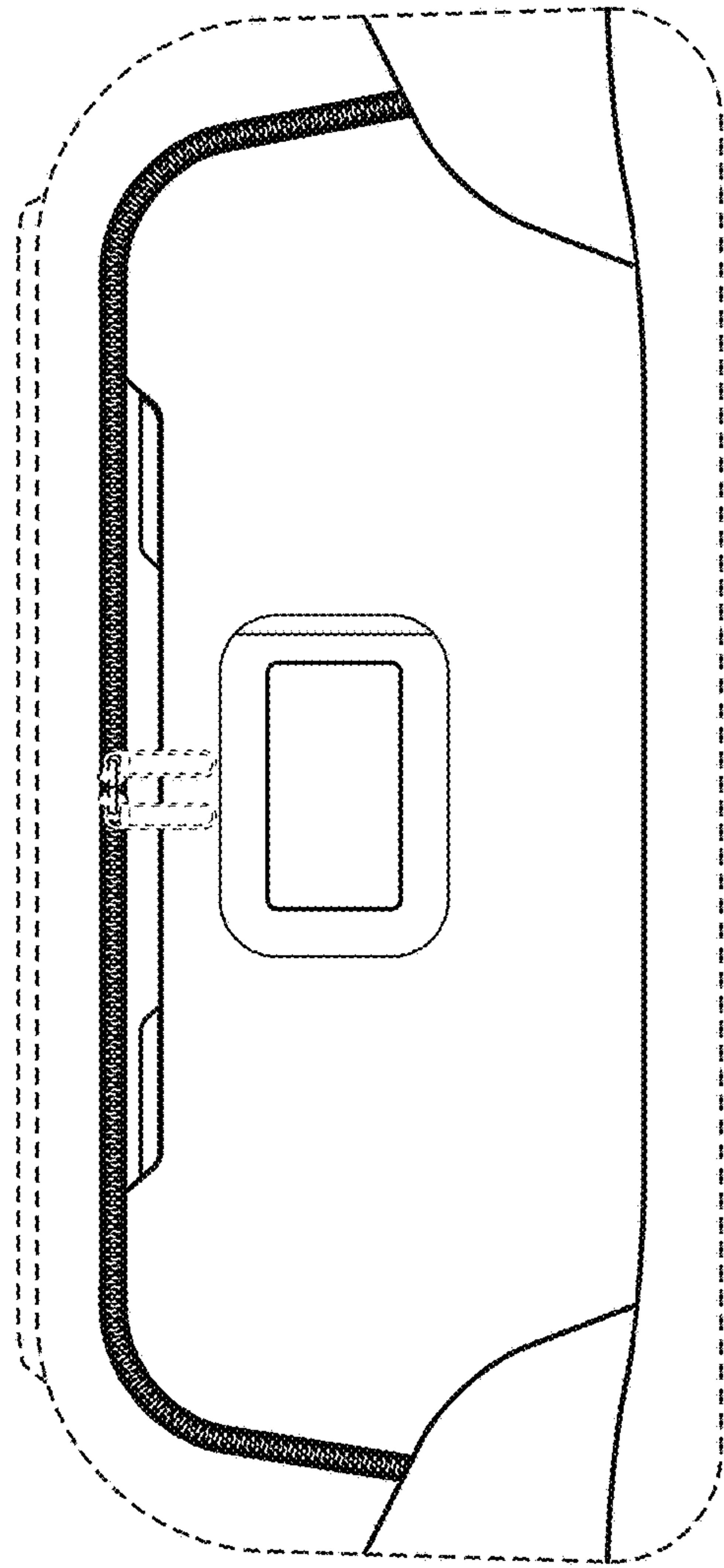


FIG. 4

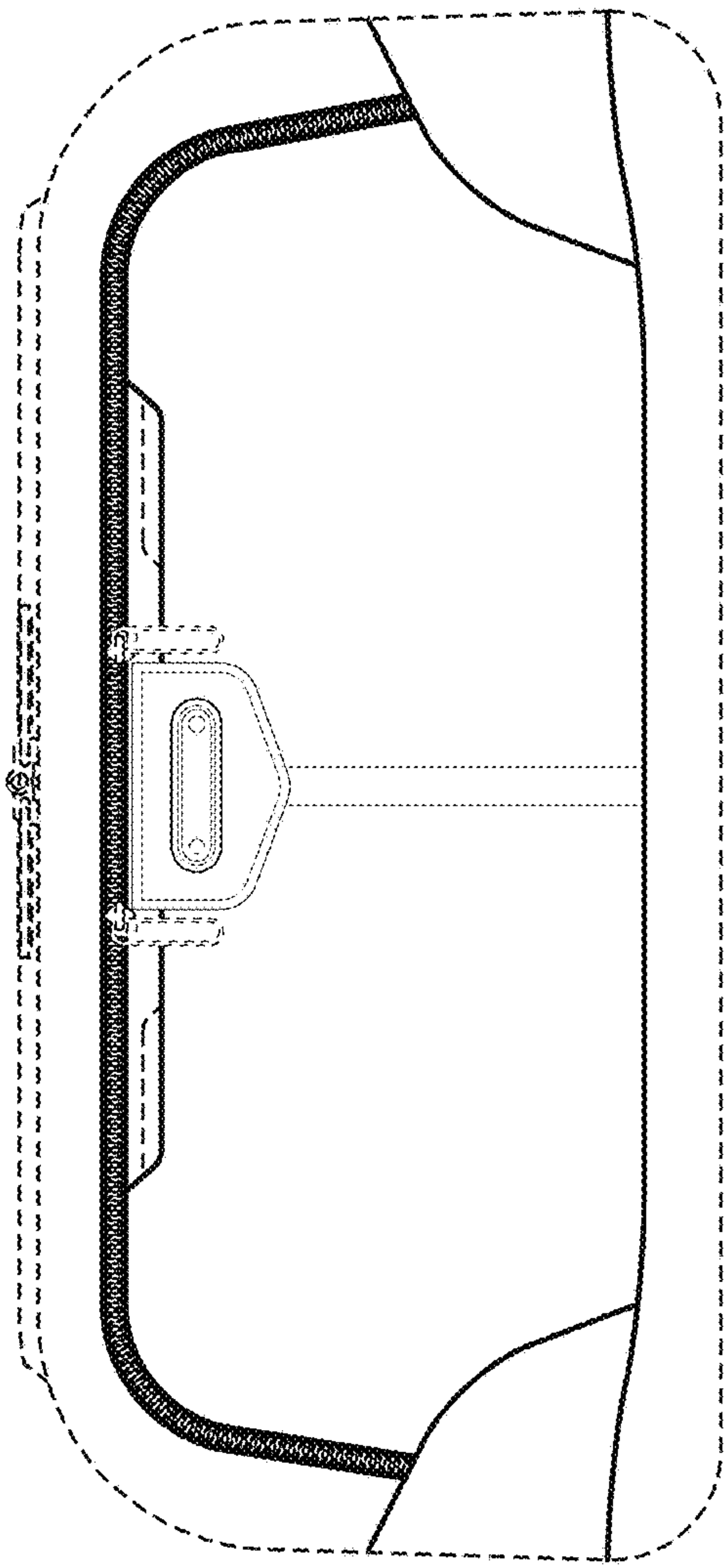


FIG. 5

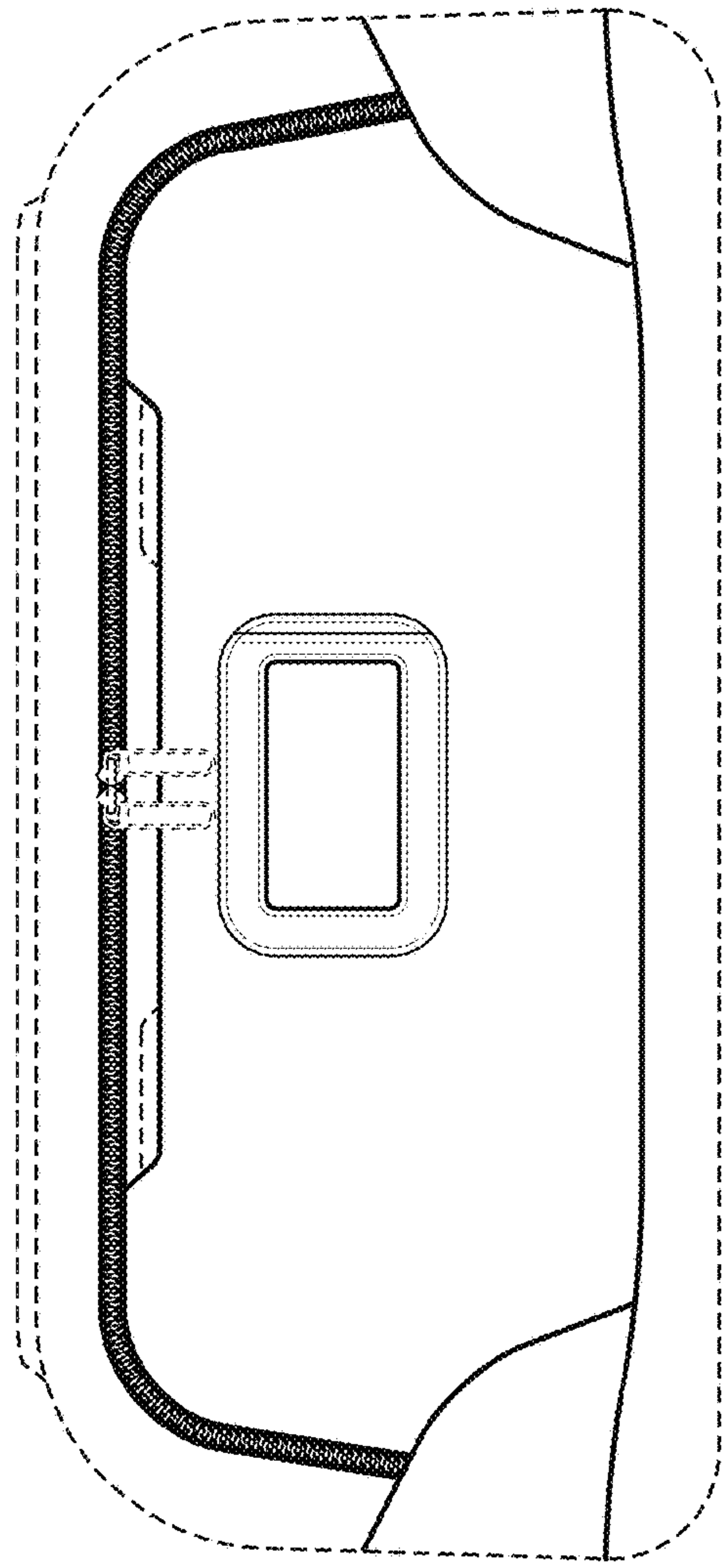


FIG. 6

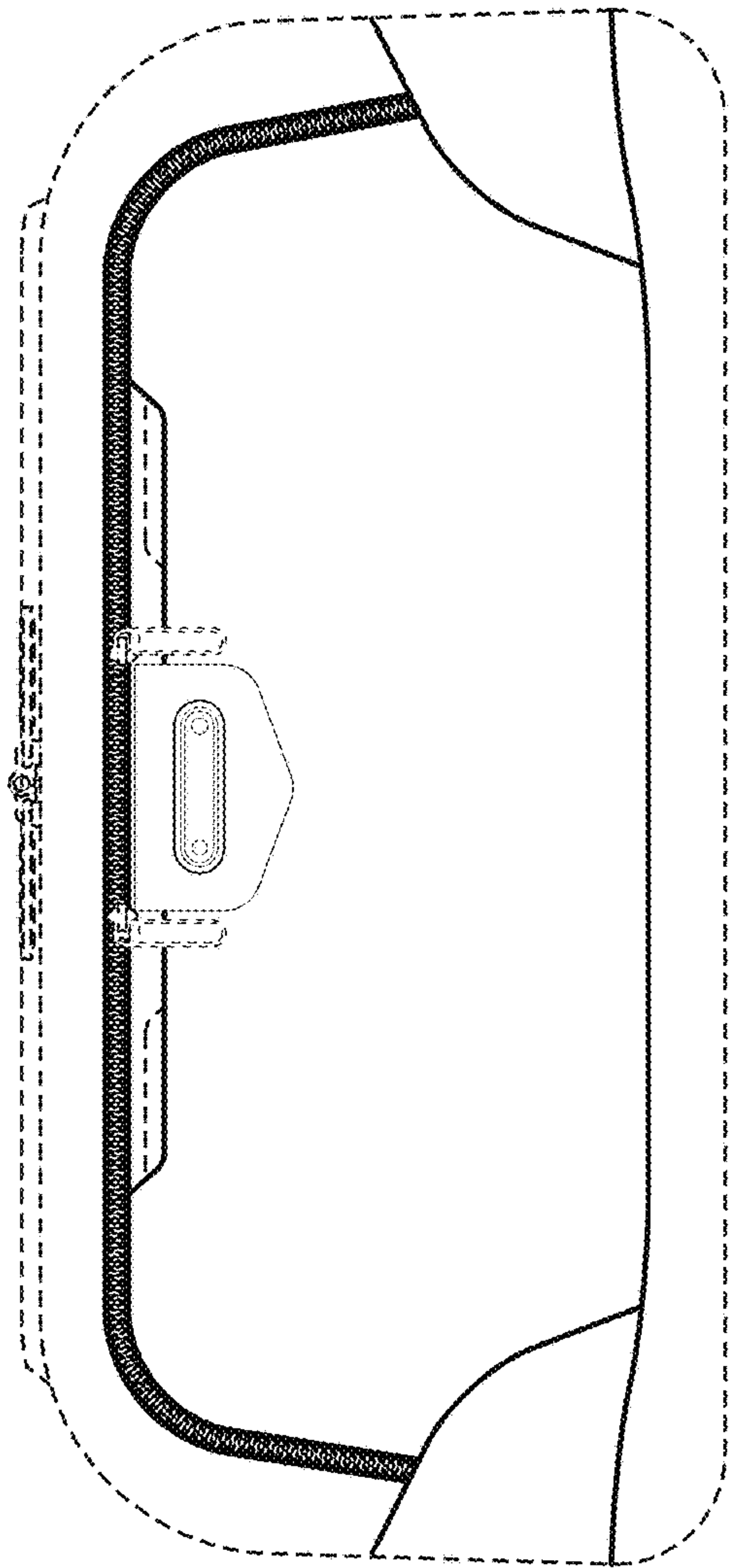


FIG. 7

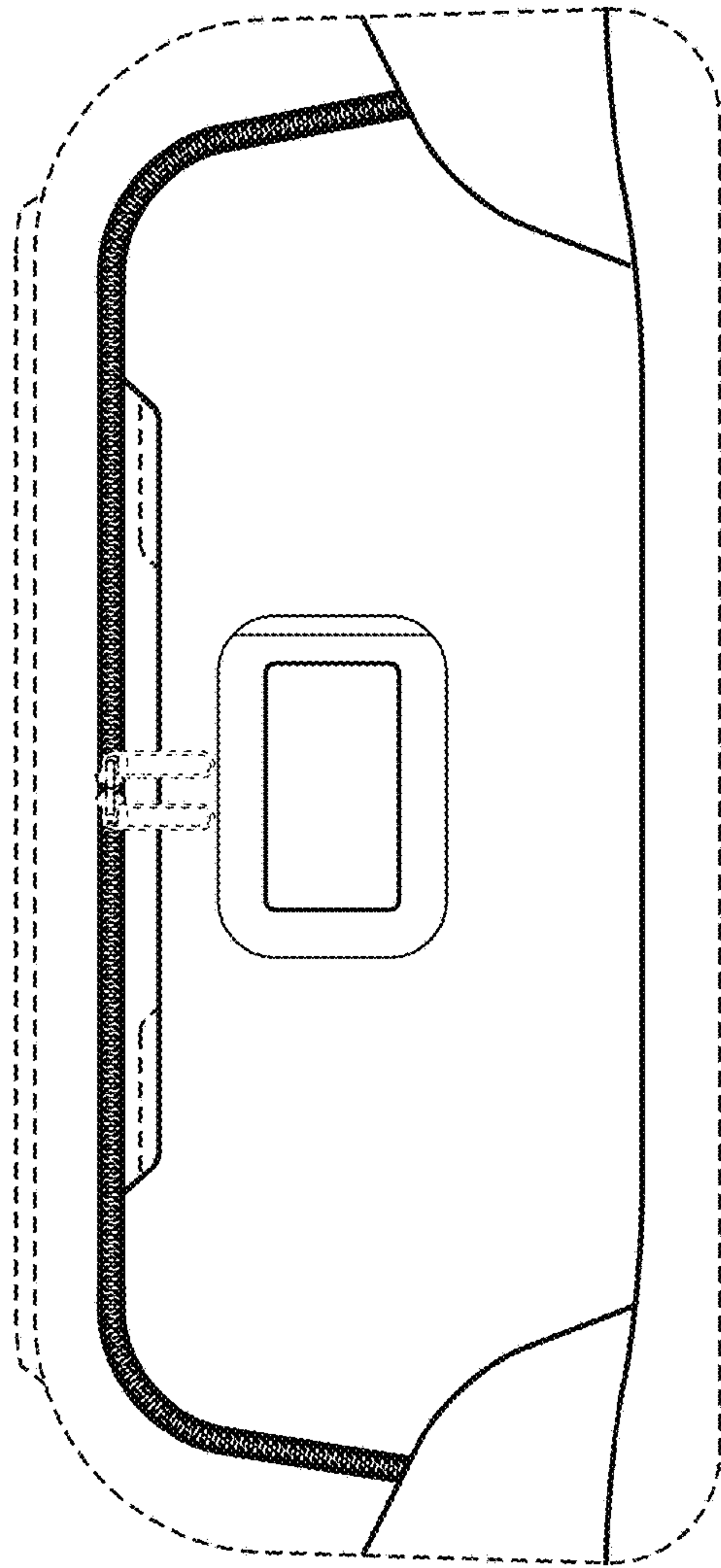


FIG. 8

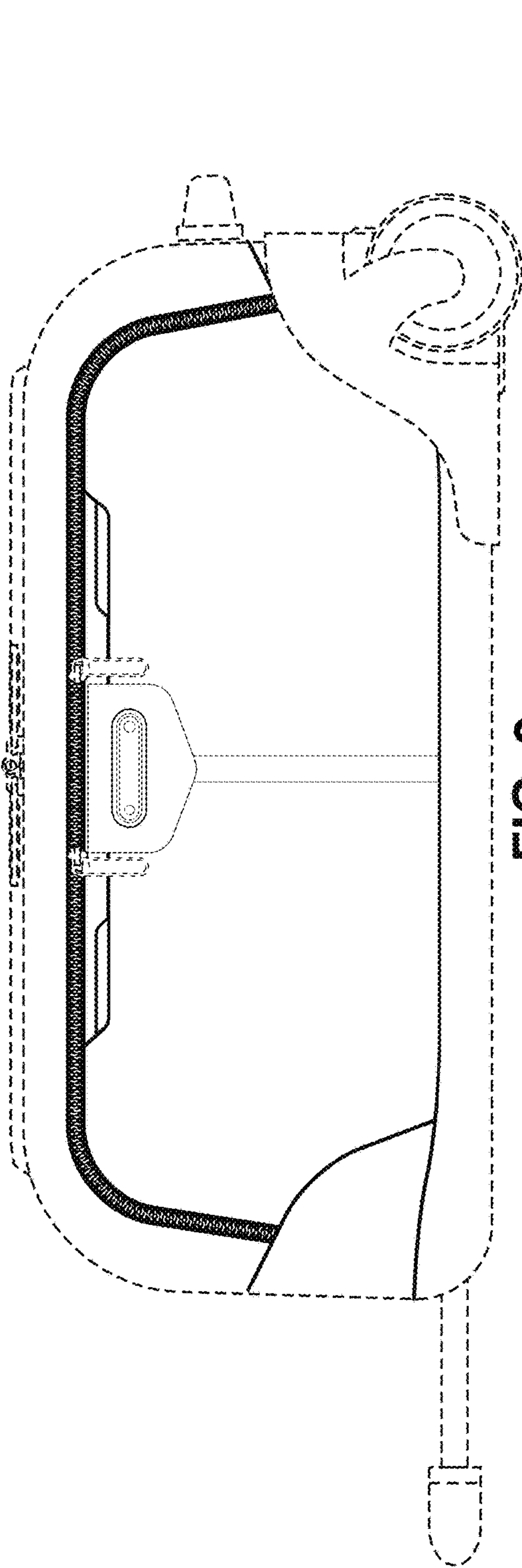


FIG. 9

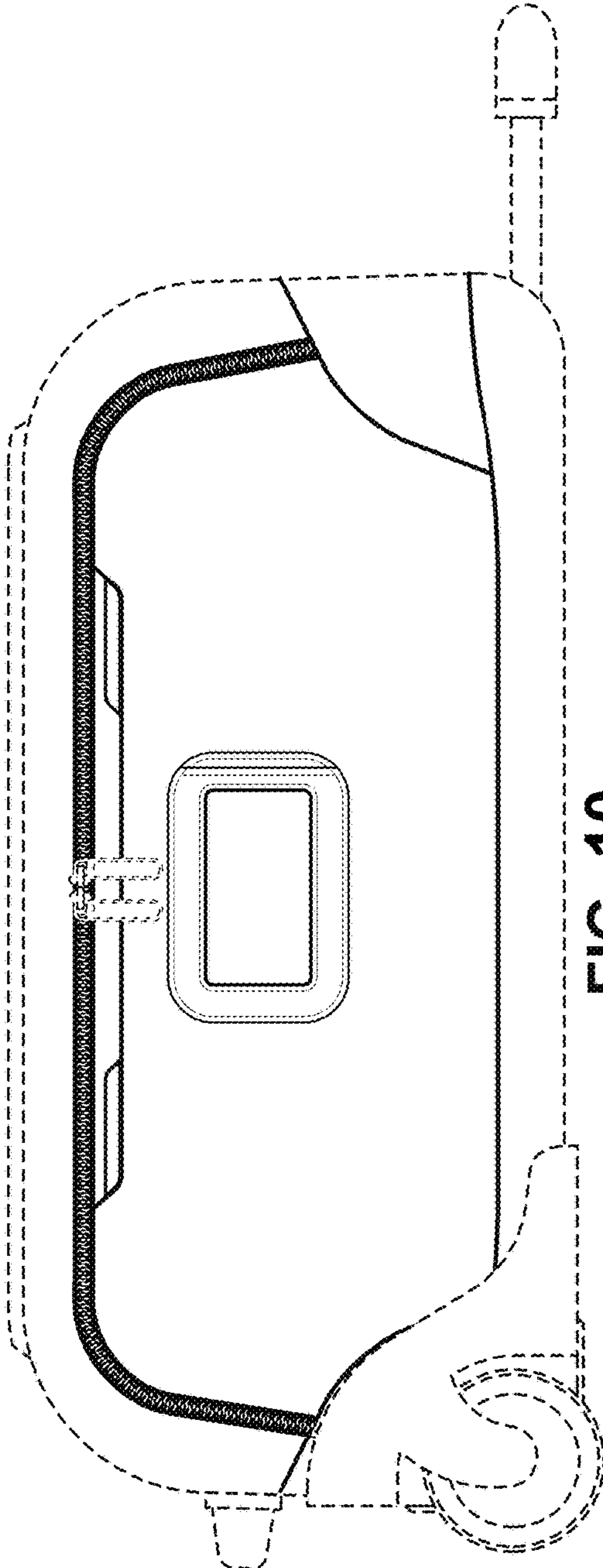


FIG. 10

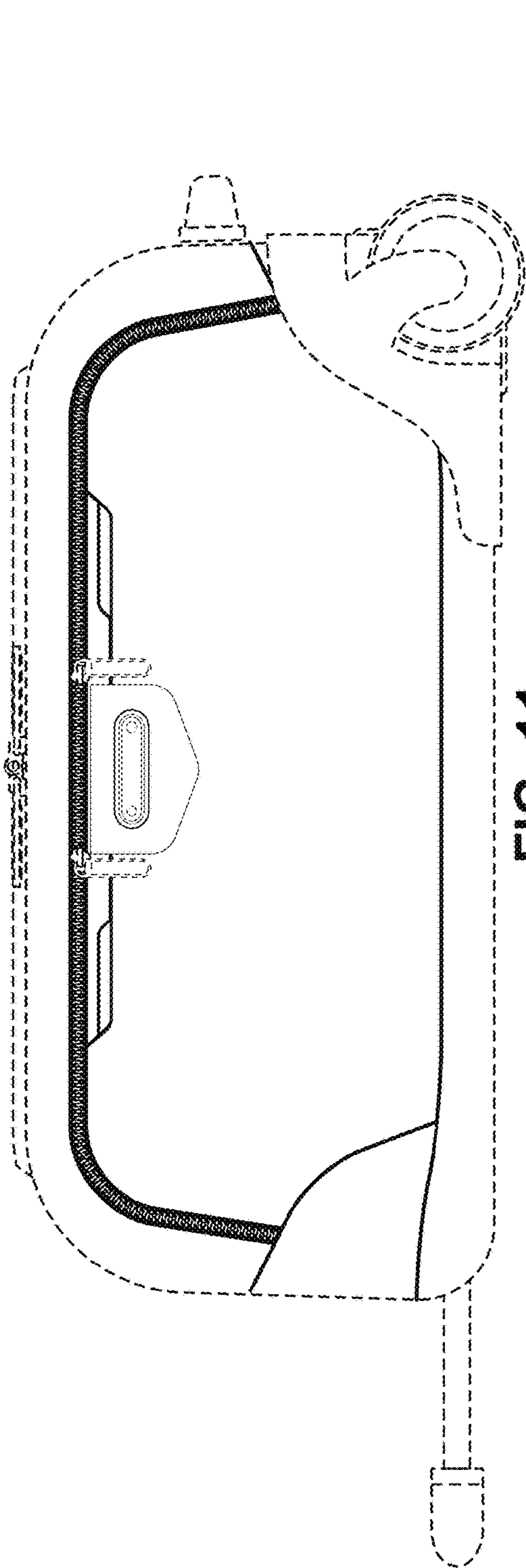


FIG. 11

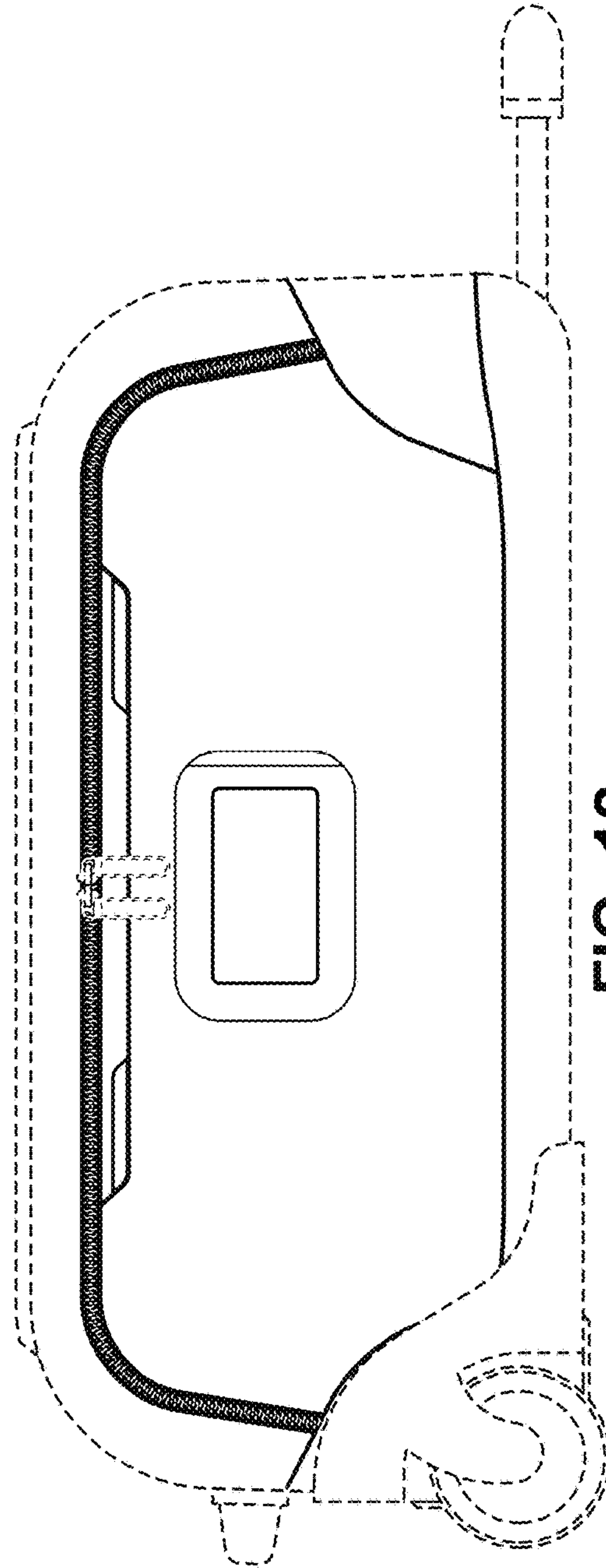


FIG. 12

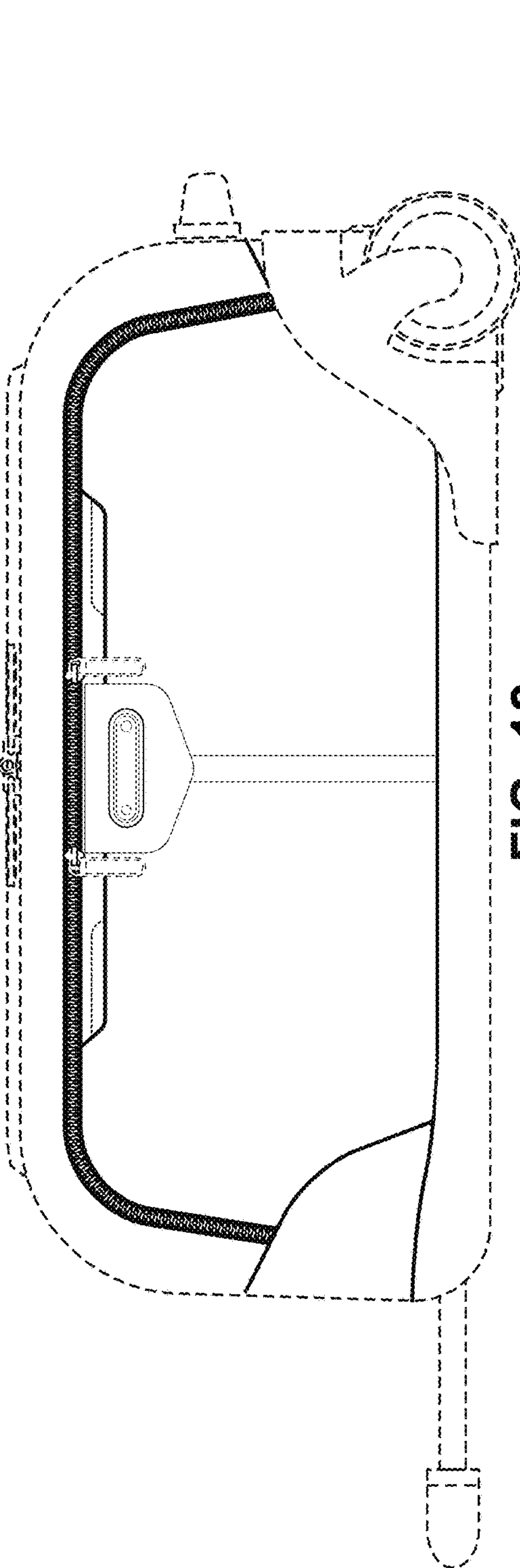


FIG. 13

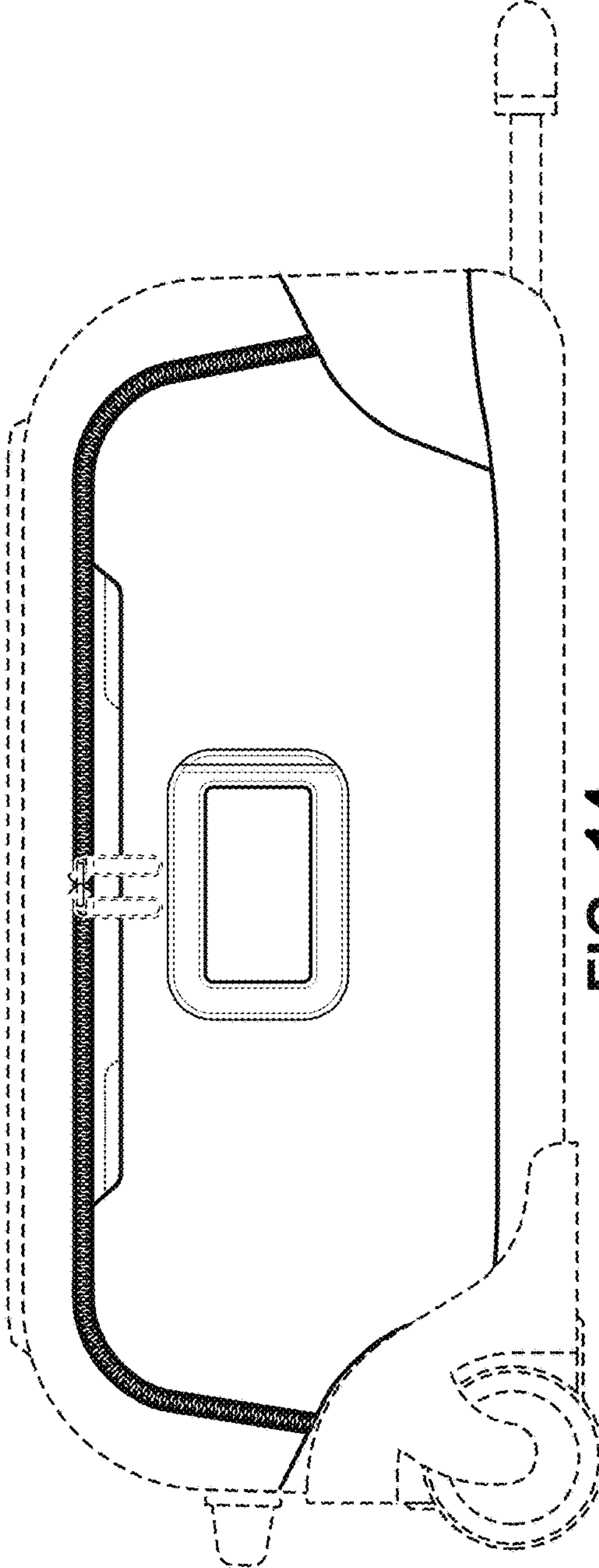


FIG. 14

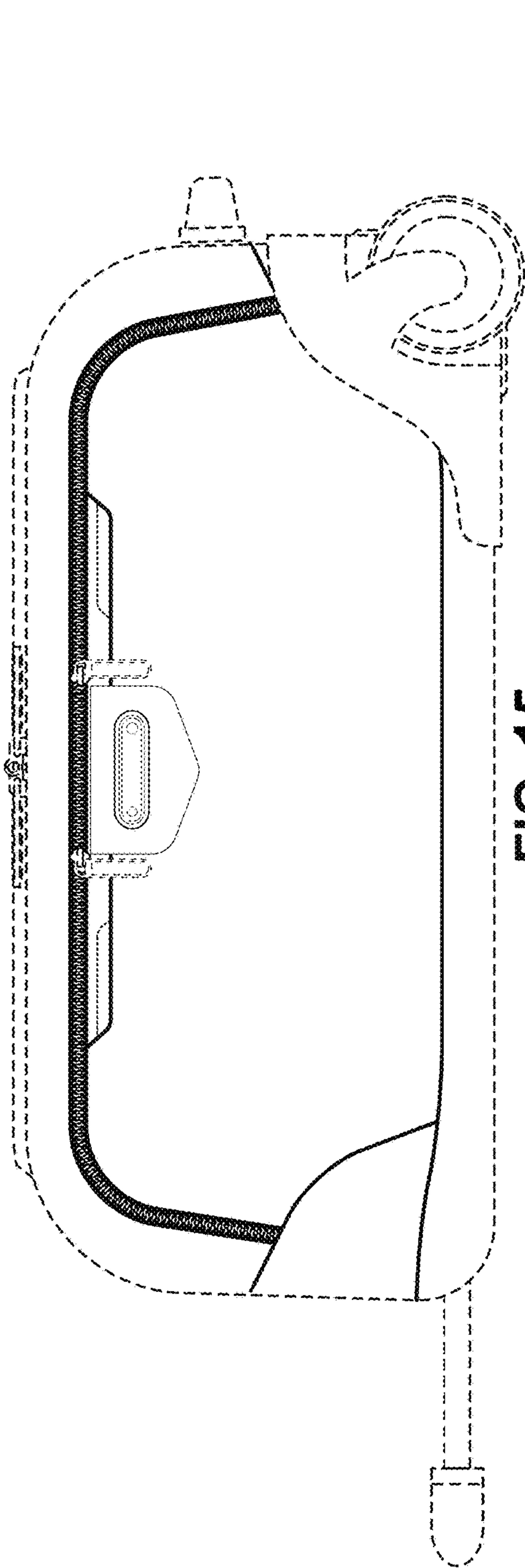


FIG. 15

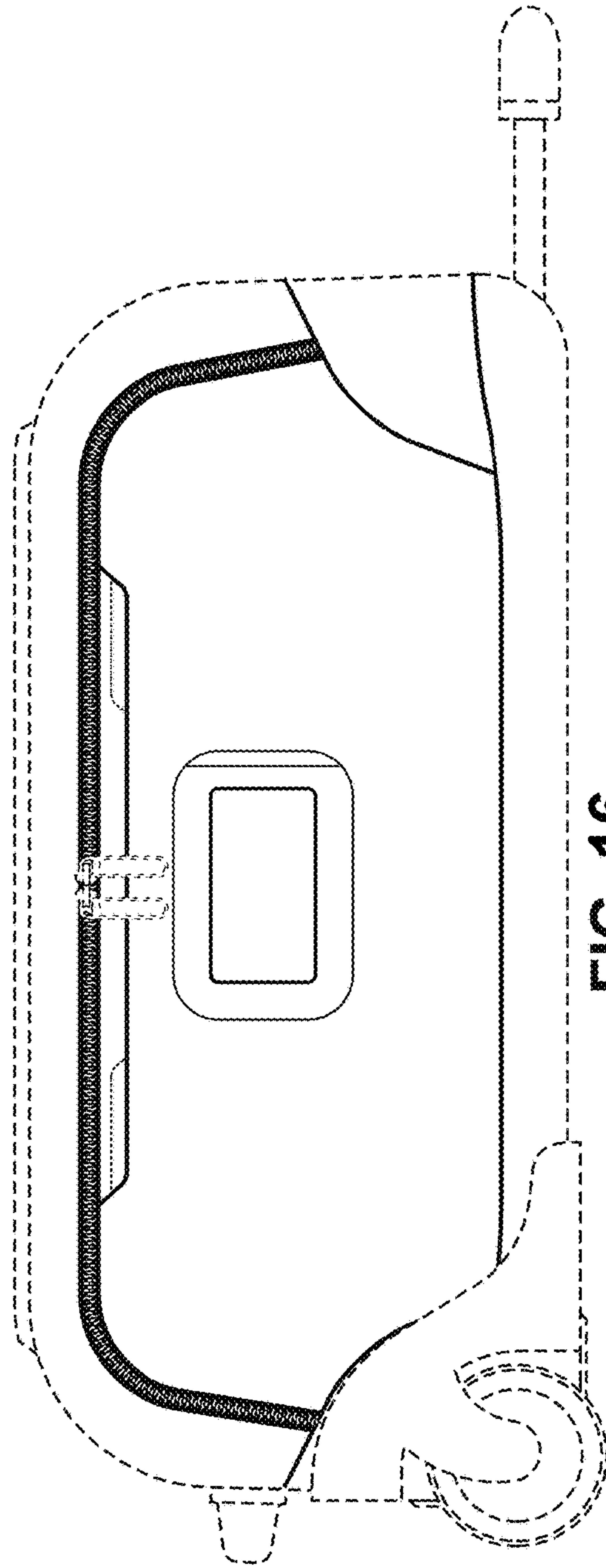


FIG. 16