



US00D776429S

(12) **United States Design Patent**
Zagorski et al.

(10) **Patent No.:** **US D776,429 S**

(45) **Date of Patent:** **** Jan. 17, 2017**

(54) **COMBINATION CHANGING PAD AND ORGANIZER CLUTCH**

(71) Applicants: **Lilian Zagorski**, Seattle, WA (US);
Angela Golden, Seattle, WA (US)

(72) Inventors: **Lilian Zagorski**, Seattle, WA (US);
Angela Golden, Seattle, WA (US)

(**) Term: **15 Years**

(21) Appl. No.: **29/542,790**

(22) Filed: **Oct. 16, 2015**

Related U.S. Application Data

(63) Continuation-in-part of application No. 14/885,927,
filed on Oct. 16, 2015.

(51) **LOC (10) Cl.** **03-01**

(52) **U.S. Cl.**
USPC **D3/274; D3/290; D3/299**

(58) **Field of Classification Search**
USPC **D3/273, 274, 276, 278, 281, 283, 284,**
D3/285, 286, 287, 288, 289, 290, 291,
D3/293, 294, 295, 299, 301, 300, 900,
D3/902; D6/596

CPC **A47D 15/003; A47D 5/006**
See application file for complete search history.

(56) **References Cited**

U.S. PATENT DOCUMENTS

D290,908 S *	7/1987	Thomas	D3/274
4,738,547 A *	4/1988	Brown	A45C 7/0095
				383/119
D374,789 S *	10/1996	Kalista	D6/596
D376,287 S *	12/1996	Bennett	D6/595
D418,295 S *	1/2000	Verhulst	D3/283
D471,011 S *	3/2003	Kowalsky	D3/299
D596,842 S *	7/2009	Cooper	D3/205
D603,165 S *	11/2009	Losiewicz	D3/299
D615,338 S *	5/2010	Balkaran	D6/596

D653,485 S *	2/2012	Karp	D6/596
D658,361 S *	5/2012	Kontos	D3/203.1
D663,148 S *	7/2012	Freese	D6/596
D720,536 S *	1/2015	Hsu	D3/299
D730,647 S *	6/2015	Thompson	D3/284
D741,064 S *	10/2015	Ramos	D3/299
D753,398 S *	4/2016	Arami	D3/299

(Continued)

OTHER PUBLICATIONS

Etsy user store “KangaGoo, product of note Changing pad/Crib organizer/Diaper clutch—multi function Joey Pad (Skull)”, Accessed May 4, 2016 (<https://www.etsy.com/shop/KangaGoo?ref=I2-shopheader-name>).*

(Continued)

Primary Examiner — Jennifer Rivard

Assistant Examiner — April Rivas

(74) *Attorney, Agent, or Firm* — Michelle E. Carey;
Telekta Law, P.S.

(57) **CLAIM**

The ornamental design for a combination changing pad and organizer clutch, as shown and described.

DESCRIPTION

FIG. 1 is an isometric view of the combination changing pad and organizer clutch in a half open configuration, showing my new design;

FIG. 2 is a front plan view of the combination changing pad and organizer clutch in an open configuration;

FIG. 3 is a rear plan view thereof;

FIG. 4 is a top plan view thereof;

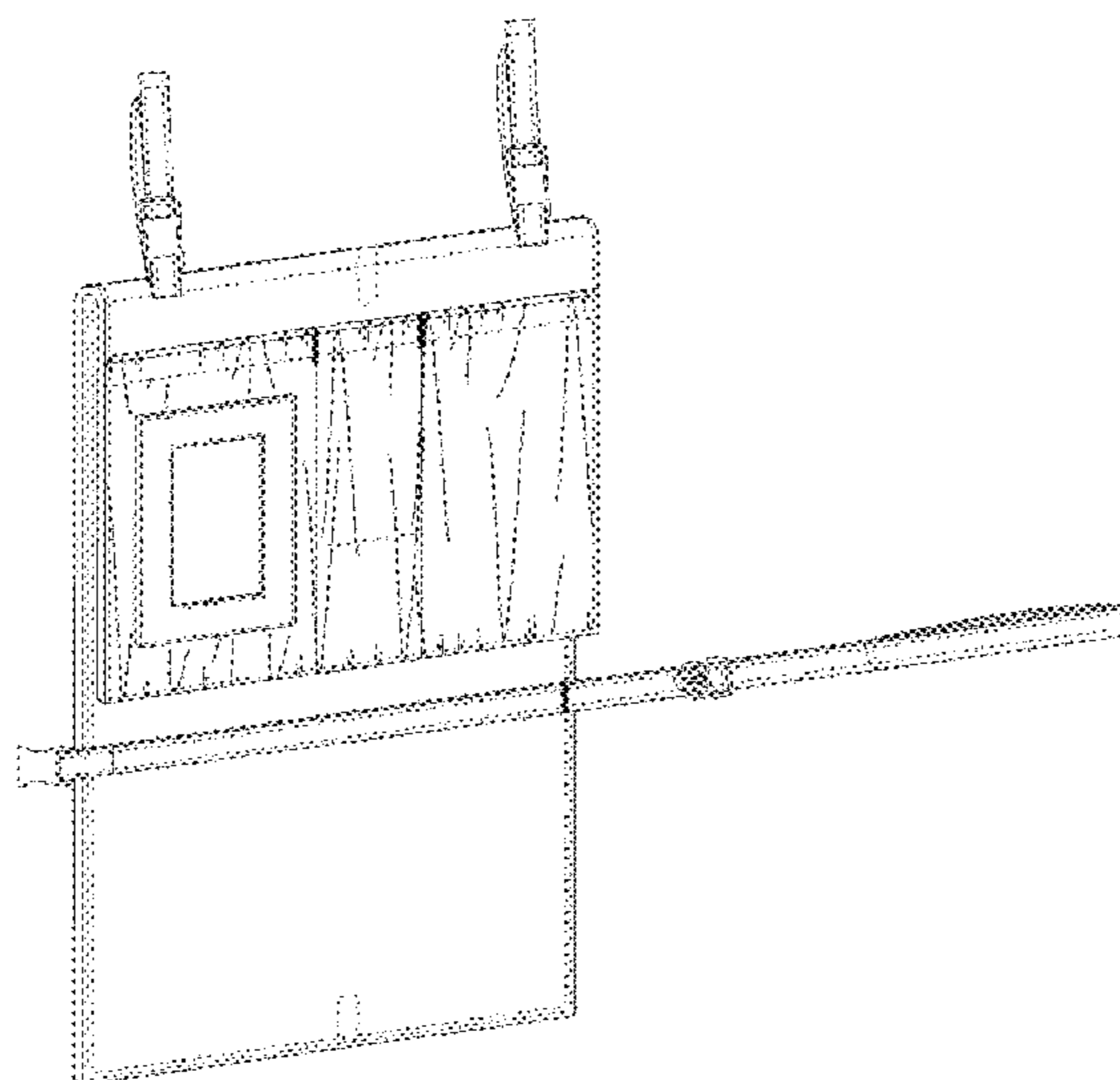
FIG. 5 is a bottom plan view thereof;

FIG. 6 is a right plan view thereof; and,

FIG. 7 is a left plan view thereof.

The broken lines illustrate stitching and form no part of the claimed design.

1 Claim, 5 Drawing Sheets



(56)

References Cited

U.S. PATENT DOCUMENTS

2006/0260046 A1 * 11/2006 Landay A47G 9/086
5/413 R

OTHER PUBLICATIONS

The Bump blog, "10 Best Changing Clutches", Accessed May 5, 2016, (<http://www.thebump.com/a/best-changing-clutches-diaper-totes>).*

ToysRUs online store front, "Portable Changing Pads & Sets" products, Accessed May 5, 2016. (<http://www.toysrus.com/products/portable-changing-pads-sets-C3229415.jsp>).*

* cited by examiner

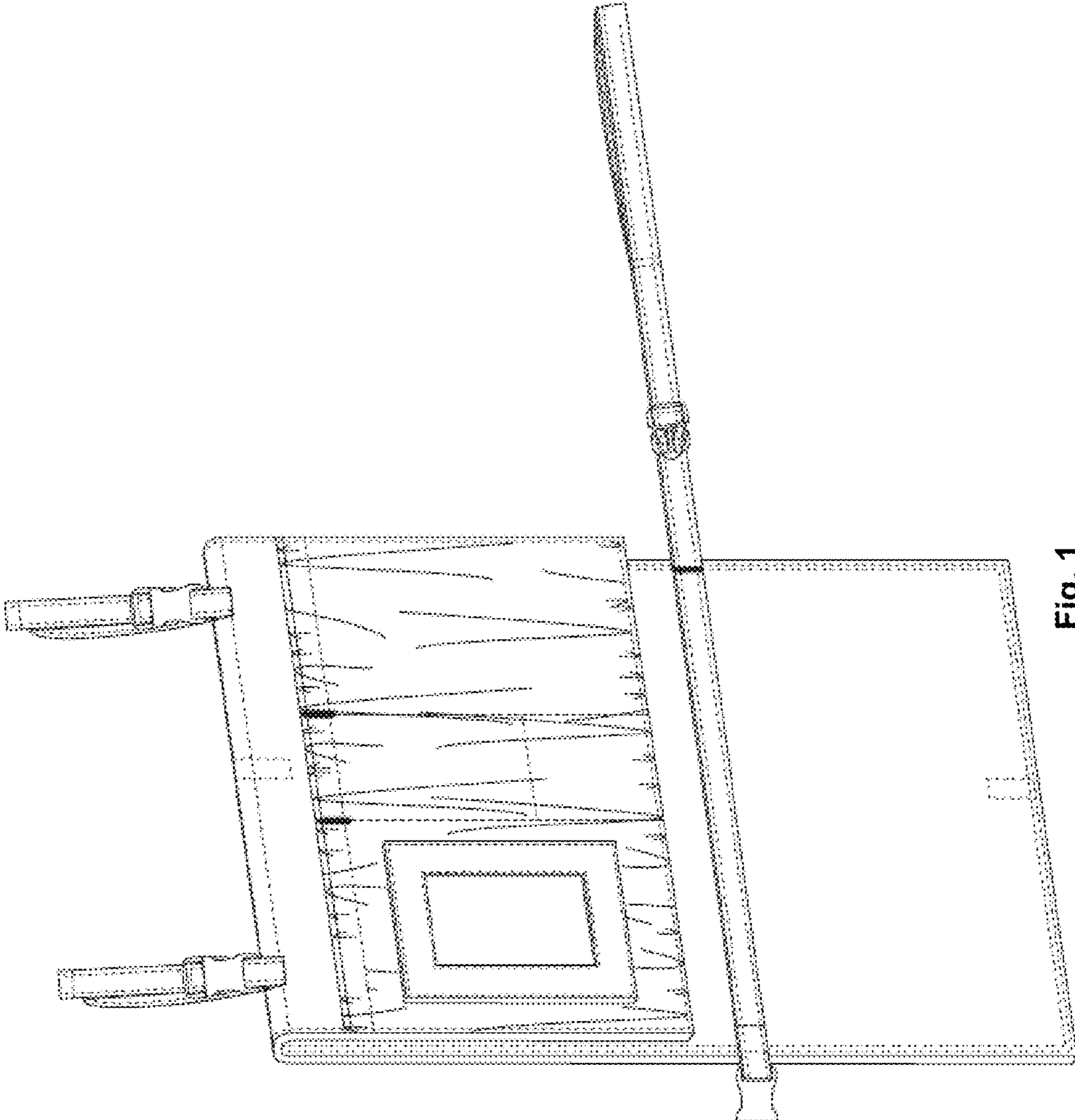


Fig. 1

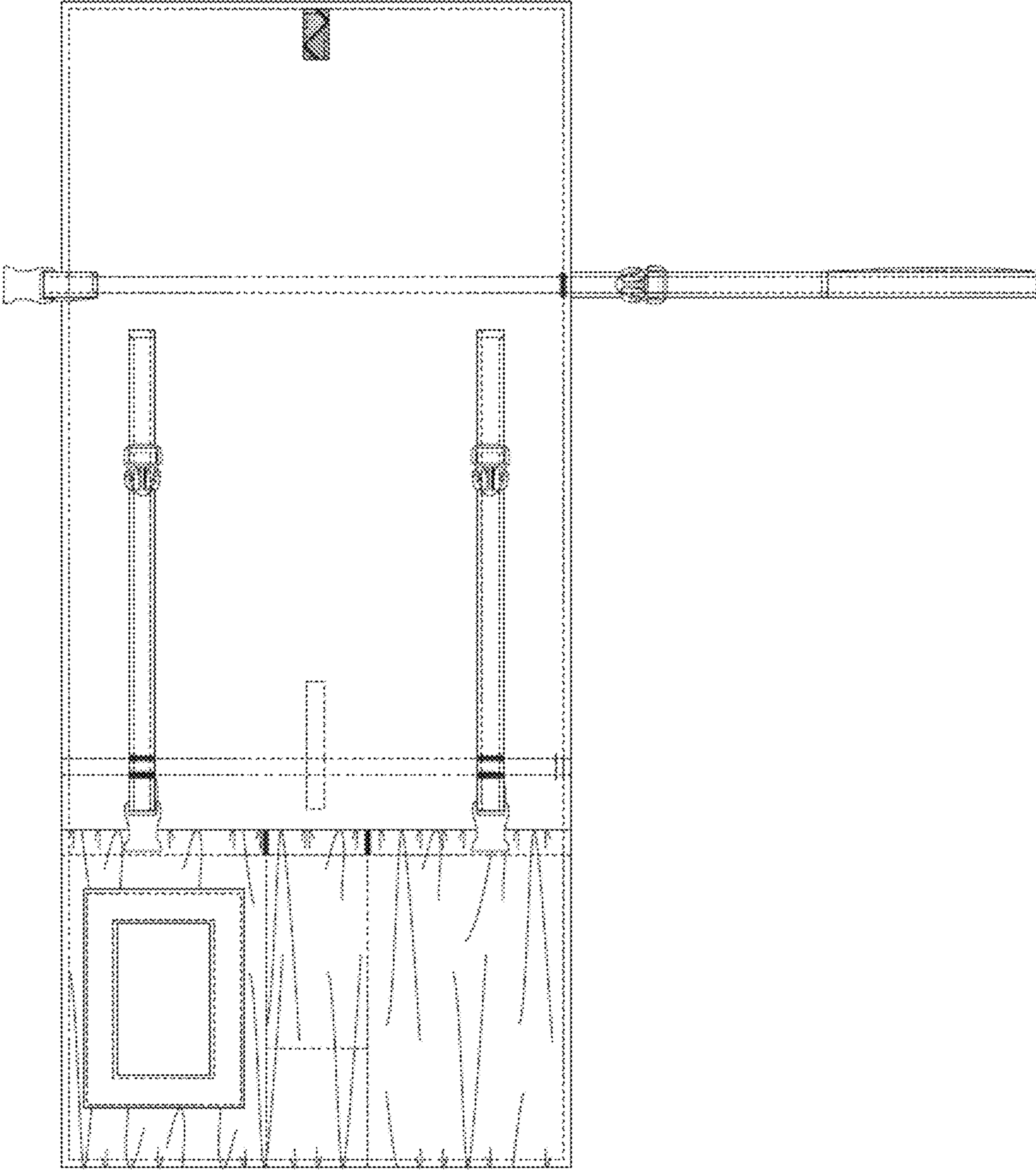


Fig. 2

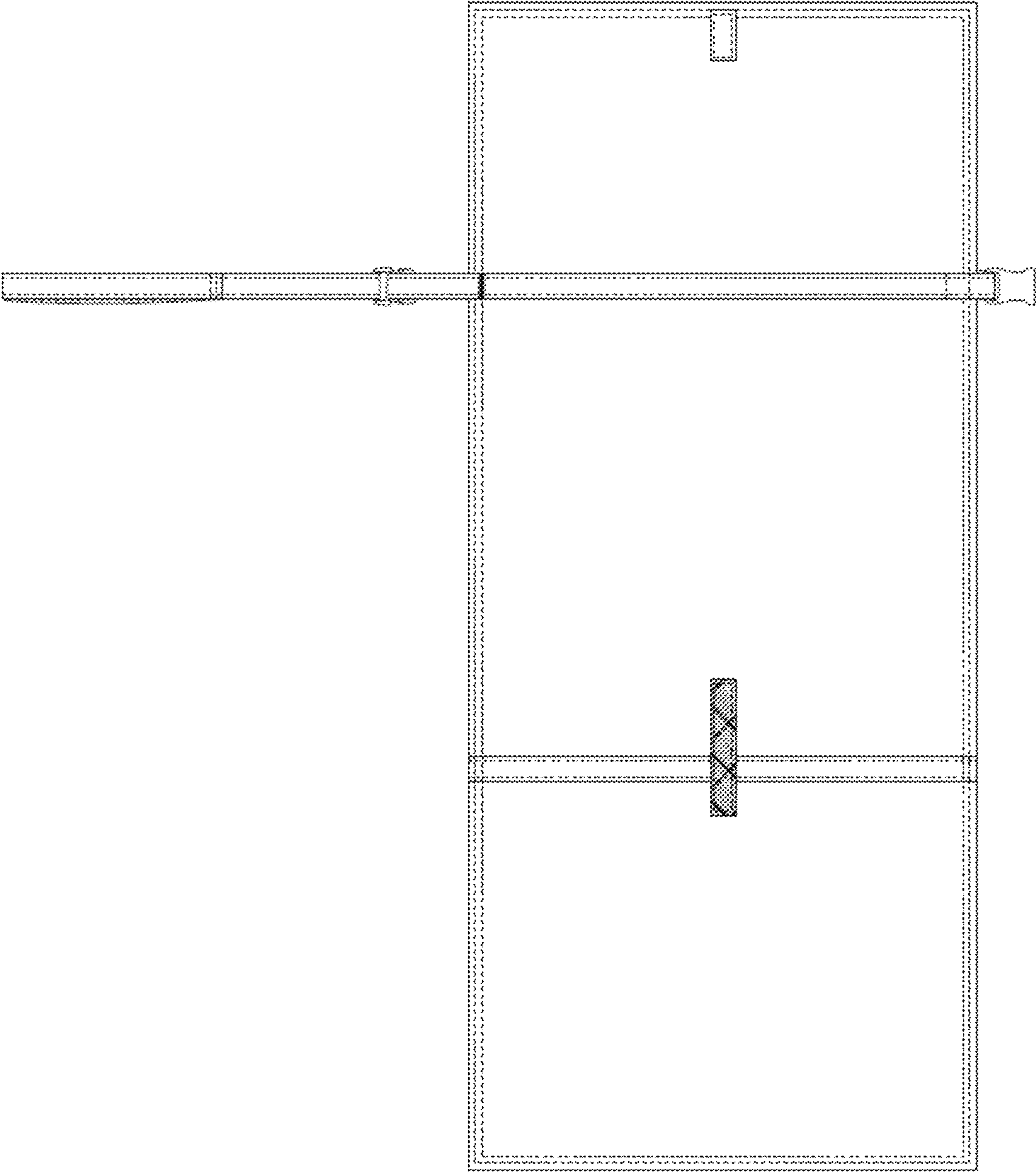


Fig. 3

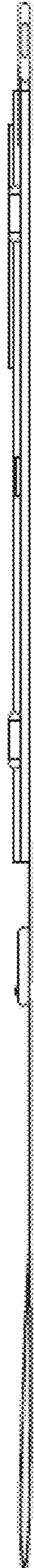


Fig. 4

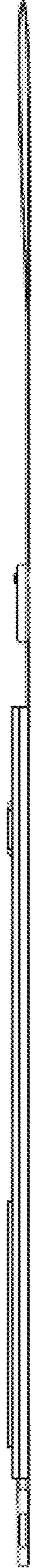


Fig. 5



Fig. 6



Fig. 7