



US00D776428S

(12) **United States Design Patent**
Grebinoski et al.

(10) **Patent No.:** **US D776,428 S**

(45) **Date of Patent:** **** Jan. 17, 2017**

- (54) **PLUNGER**
- (71) Applicant: **Watts Water Technologies, Inc.**, North Andover, MA (US)
- (72) Inventors: **James Grebinoski**, Gibsonia, PA (US);
Michael T. Angus, Derry, PA (US);
Mark Felgar, New Stanton, PA (US);
David P. Yankes, Monroeville, PA (US)
- (73) Assignee: **Watts Water Technologies, Inc.**, North Andover, MA (US)
- (**) Term: **14 Years**
- (21) Appl. No.: **29/489,464**
- (22) Filed: **Apr. 30, 2014**
- (51) **LOC (10) Cl.** **23-03**
- (52) **U.S. Cl.**
USPC **D3/259**
- (58) **Field of Classification Search**
USPC D23/233, 235, 259, 260, 390; D32/14,
D32/35; 4/255.05–255.11; 134/166 C;
137/15.24; 251/309, 310
CPC E03C 1/306; E03C 1/308; F16K 27/065;
F16K 27/067; F16K 5/0414
See application file for complete search history.

- D465,888 S * 11/2002 Wang D32/35
- 6,510,860 B2 * 1/2003 Kihs E03C 1/308
134/166 C
- D514,760 S * 2/2006 Schoolcraft D32/35
- D535,073 S * 1/2007 Leaphart D32/35
- D581,723 S * 12/2008 Pan D23/261
- D581,724 S * 12/2008 Pan D23/261
- D585,968 S * 2/2009 Elkins D23/259
- D597,181 S * 7/2009 Jones D23/260
- D599,444 S * 9/2009 Jones D23/261
- D604,834 S * 11/2009 Ungar D24/110.1
- D631,945 S * 2/2011 Shorey D23/233
- D635,398 S * 4/2011 Watabe D7/400
- D640,845 S * 6/2011 Jensen D32/14
- D647,183 S * 10/2011 Bertram D23/260
- D647,671 S * 10/2011 Stein D32/14
- D665,953 S * 8/2012 Leary D30/158
- D681,796 S * 5/2013 Han D23/390
- D682,989 S * 5/2013 Eagle D23/233
- D707,795 S * 6/2014 Huang D23/233
- D723,666 S * 3/2015 McThenney D23/260

(Continued)

Primary Examiner — John Windmuller

Assistant Examiner — Steven Czyz

(74) *Attorney, Agent, or Firm* — Adler Pollock & Sheehan P.C.; George N. Chaclas, Esq.; Daniel J. Holmander, Esq.

(57) **CLAIM**

The ornamental design for a plunger, as shown and described.

DESCRIPTION

FIG. 1 is a top perspective view of the plunger according to the present disclosure.

FIG. 2 is a top view of the plunger according to the present disclosure.

FIG. 3 is a bottom view of the plunger according to the present disclosure; and,

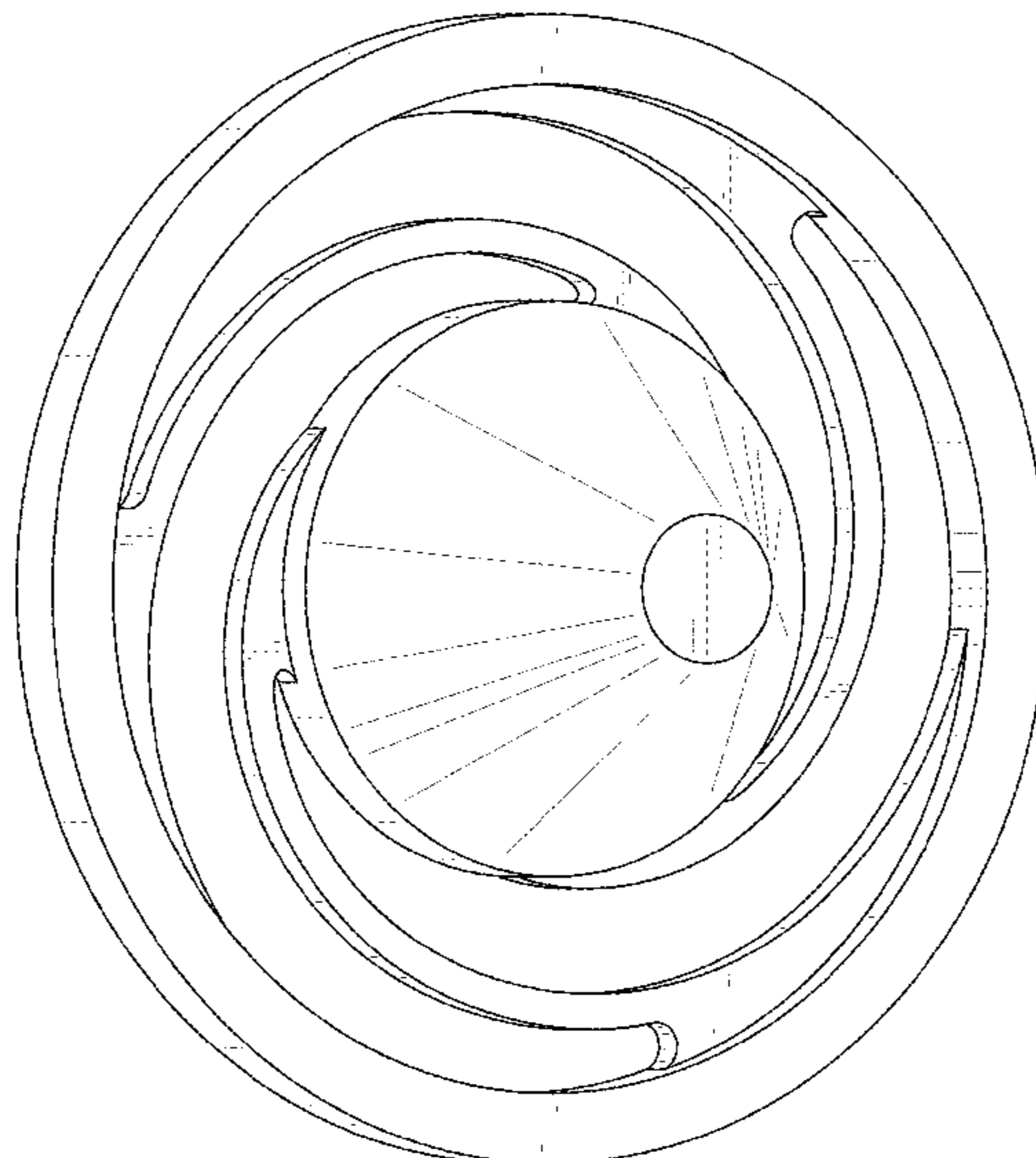
FIG. 4 is a side view of the plunger according to the present disclosure.

1 Claim, 4 Drawing Sheets

(56) **References Cited**

U.S. PATENT DOCUMENTS

- D45,335 S * 3/1914 Forward et al. D23/259
- D252,703 S * 8/1979 Cupit D23/259
- 4,238,860 A * 12/1980 Dixon E03C 1/306
4/255.08
- D269,454 S * 6/1983 Houseman D23/261
- D276,011 S * 10/1984 Hannecke D6/677
- D284,265 S * 6/1986 Resan D23/260
- D350,816 S * 9/1994 Florence D23/260
- D364,461 S * 11/1995 Liebert D24/130
- D436,157 S * 1/2001 Houseman D23/259



(56)

References Cited

U.S. PATENT DOCUMENTS

D724,702 S * 3/2015 D'Amico D23/261
2014/0115768 A1* 5/2014 Wang E03C 1/308
4/255.11

* cited by examiner

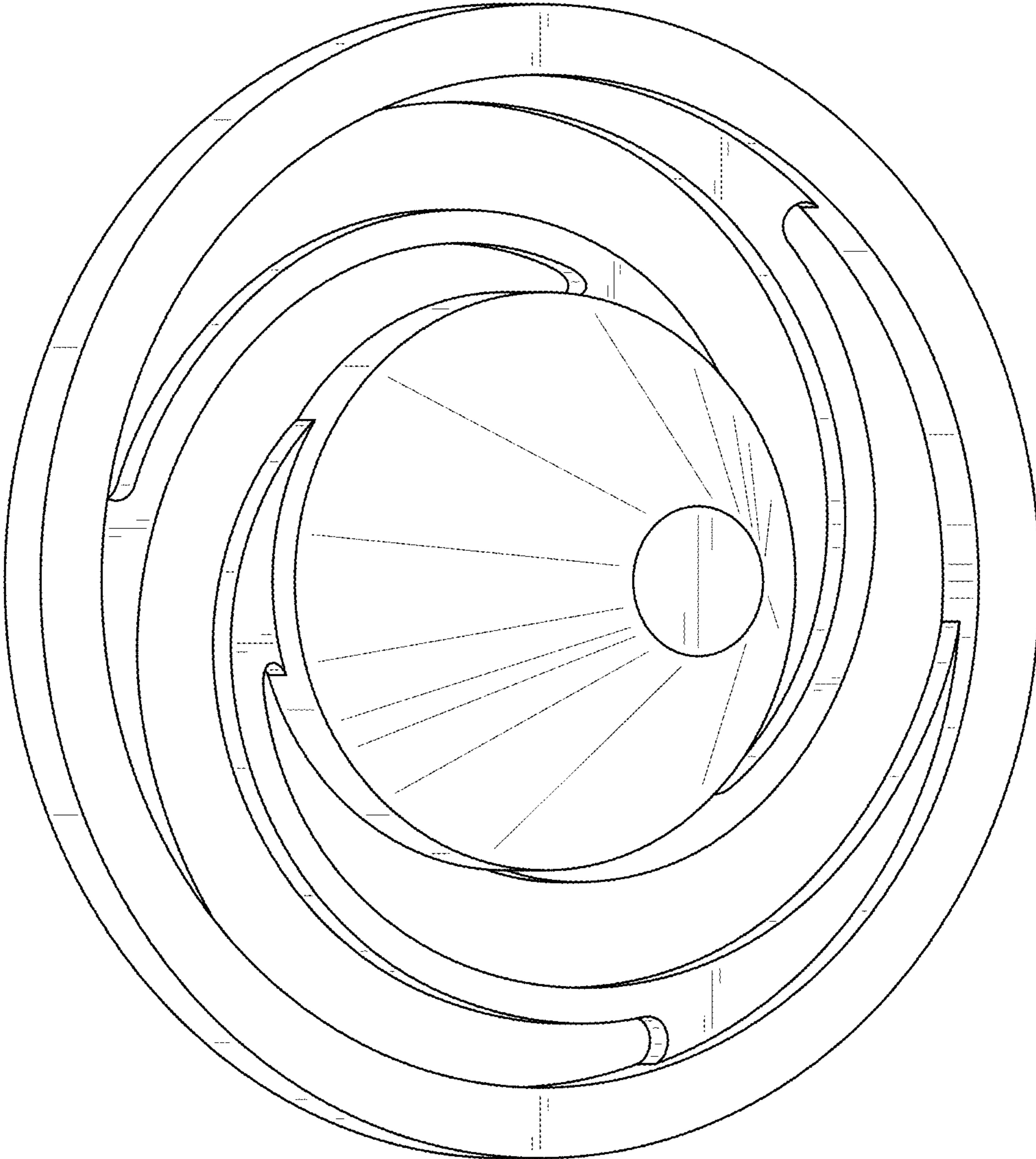


FIG. 1

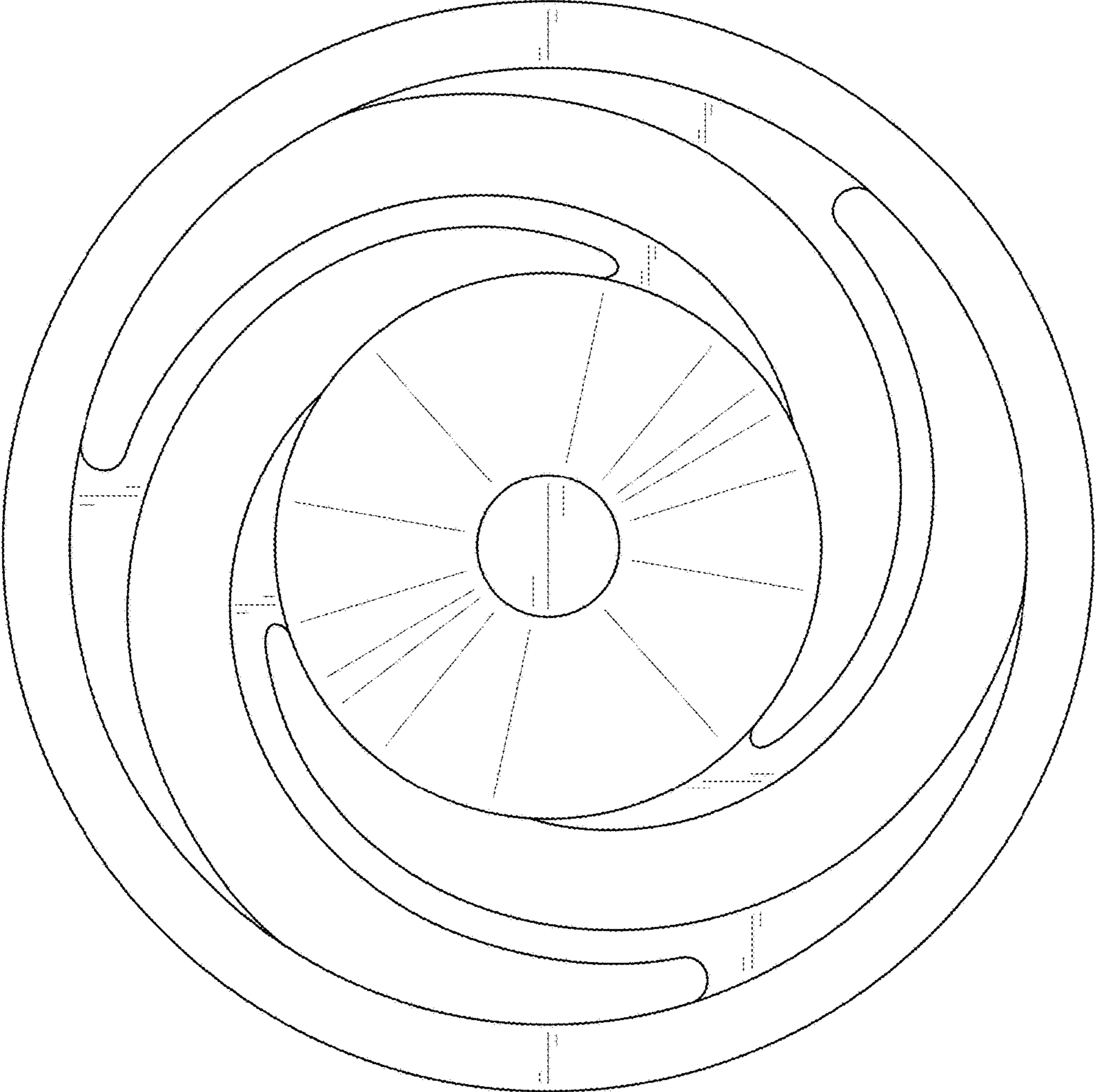


FIG. 2

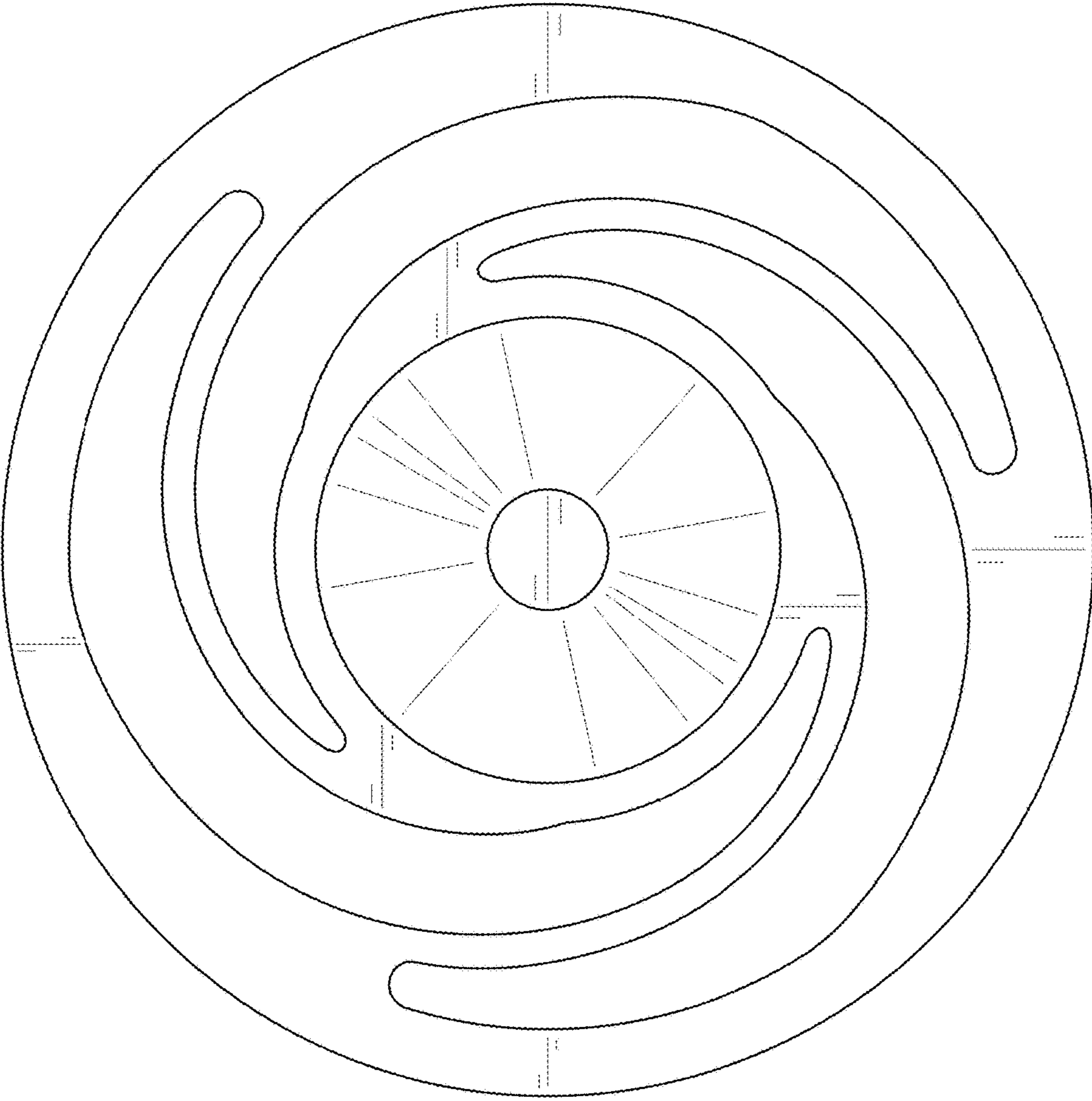


FIG. 3

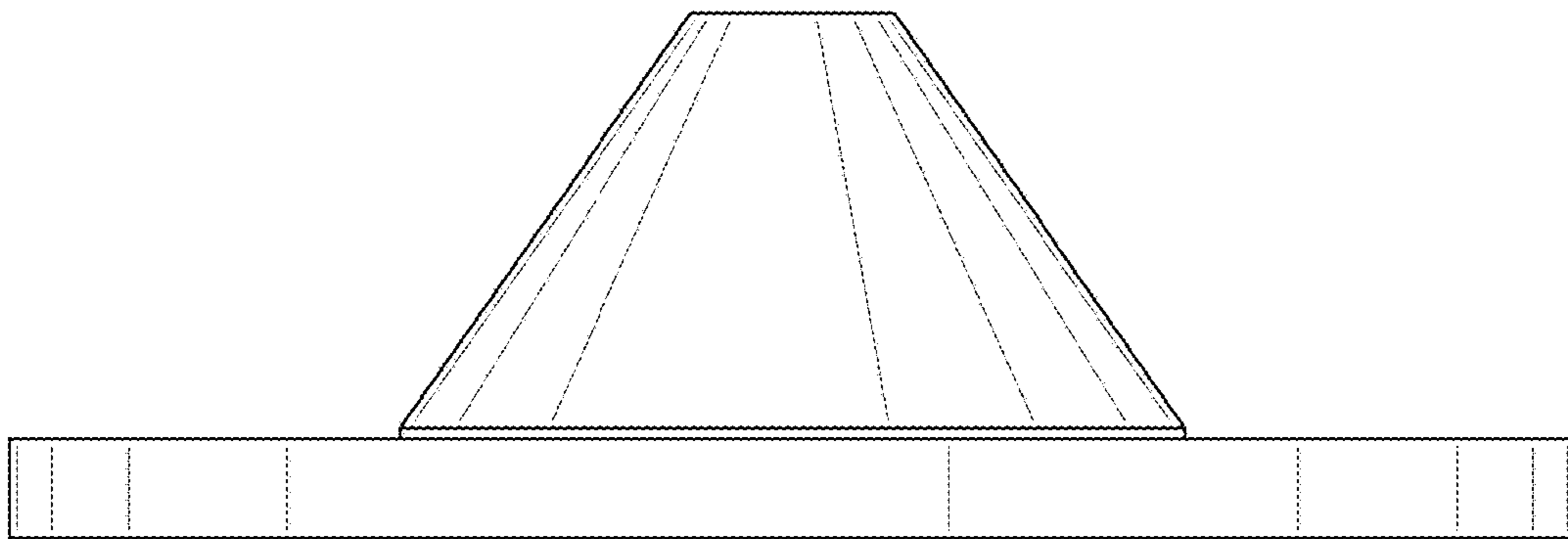


FIG. 4