



US00D776424S

(12) **United States Design Patent**
Faifer

(10) **Patent No.:** **US D776,424 S**

(45) **Date of Patent:** **** Jan. 17, 2017**

(54) **HOLSTER FOR A GUN**

(71) Applicant: **Sagi Faifer**, Mishmar Hashiva (IL)

(72) Inventor: **Sagi Faifer**, Mishmar Hashiva (IL)

(**) Term: **15 Years**

(21) Appl. No.: **29/539,098**

(22) Filed: **Sep. 10, 2015**

Related U.S. Application Data

(62) Division of application No. 29/483,810, filed on Mar. 3, 2014, now Pat. No. Des. 740,021.

(51) **LOC (10) Cl.** **03-01**

(52) **U.S. Cl.**
USPC **D3/222**

(58) **Field of Classification Search**

USPC D3/222-223, 269; 224/163, 192-193,
224/197-198, 243-244, 349, 587, 665,
224/682, 901.4, 911-912; 89/34; 42/106
CPC A45F 5/00; A45F 5/021; A45F 5/022;
A45F 2200/05; A45F 2005/05; A45F
2200/025; A45F 2200/0591; F41C 33/06;

(Continued)

(56) **References Cited**

U.S. PATENT DOCUMENTS

814,599 A 3/1906 Freyer
837,156 A 11/1906 Townsend

(Continued)

Primary Examiner — Catheri Oliver-Garcia

(74) *Attorney, Agent, or Firm* — Law Office of Arthur M. Antonelli, PLLC

(57) **CLAIM**

The ornamental design for a holster for a gun, as shown and described.

DESCRIPTION

FIG. 1 is a rear, left, top perspective view of a first embodiment of a holster for a gun in accordance with the new design;

FIG. 2 is front, left, top perspective view of the holster for a gun of FIG. 1;

FIG. 3 is a front view of the holster for a gun of FIG. 1;

FIG. 4 is a left side view of the holster for a gun of FIG. 1;

FIG. 5 is a rear view of the holster for a gun of FIG. 1;

FIG. 6 is a right side view of the holster for a gun of FIG. 1;

FIG. 7 is a top view of the holster for a gun of FIG. 1;

FIG. 8 bottom view of the holster for a gun of FIG. 1; and

FIG. 9 is a rear, right, bottom perspective view of the holster for a gun of FIG. 1;

FIG. 10 is a rear, right, top perspective view of the second embodiment of a holster for a gun in accordance with the new design;

FIG. 11 is a front, right, top perspective view of the holster for a gun of FIG. 10;

FIG. 12 is a front view of the holster for a gun of FIG. 10;

FIG. 13 is a right side view of the holster for a gun of FIG. 10;

FIG. 14 is a rear view of the holster for a gun of FIG. 10;

FIG. 15 is a left side view of the holster for a gun of FIG. 10;

FIG. 16 is a top view of the holster for a gun of FIG. 10;

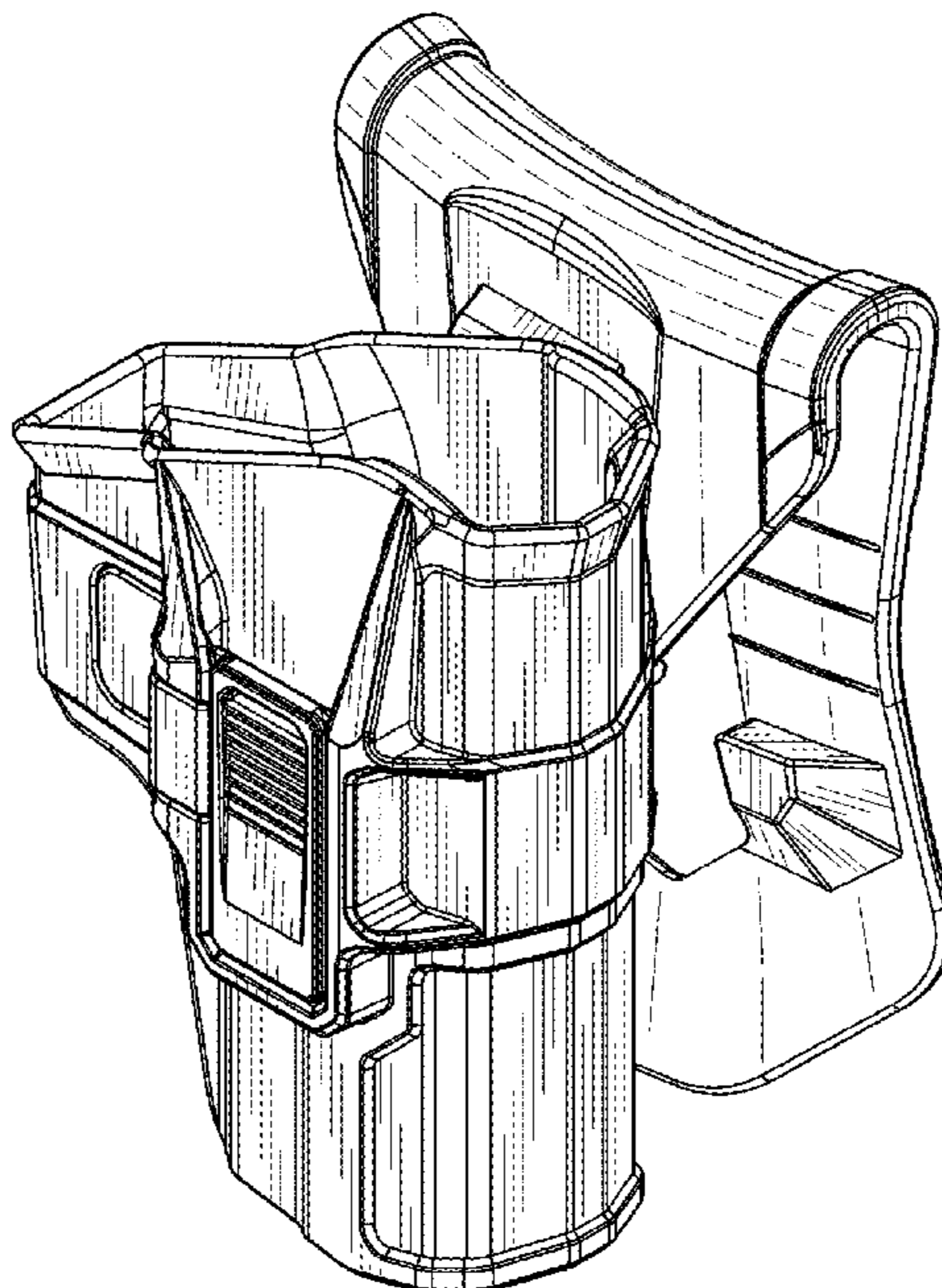
FIG. 17 is a bottom view of the holster for a gun of FIG. 10;

and,

FIG. 18 is a rear, left, bottom perspective view of the holster for a gun of FIG. 10.

All portions shown in broken lines are environmental and illustrative only and form no part of the claimed design.

1 Claim, 10 Drawing Sheets



(58) **Field of Classification Search**
 CPC F41C 33/08; F41C 33/02; F41C 33/0254;
 F41C 33/0209
 See application file for complete search history.

(56) **References Cited**
 U.S. PATENT DOCUMENTS

1,295,831 A	3/1919	Alderson	5,544,794 A	8/1996	Nichols
2,347,006 A	4/1944	Tibbetts	D373,242 S	9/1996	Beletsky
2,408,678 A	10/1946	Paley	5,551,610 A	9/1996	Clifton, Jr.
2,443,397 A	6/1948	Myers	5,570,830 A	11/1996	Nichols
2,455,635 A	12/1948	Witte	5,632,426 A	5/1997	Beletsky et al.
2,765,968 A	10/1956	Gaylord	D392,458 S	3/1998	Batts
3,008,617 A	11/1961	Villwock	5,865,357 A	2/1999	Goodwin
3,128,926 A	4/1964	Stella	5,875,944 A	3/1999	Beletsky
3,707,250 A	12/1972	Esposito	5,918,784 A	7/1999	Serpa
3,731,858 A	5/1973	Baker	5,996,865 A	12/1999	Bissey
3,777,952 A	12/1973	Theodore	6,154,997 A	12/2000	Aluotto et al.
3,952,930 A	4/1976	Baldocchi	6,202,908 B1	3/2001	Groover
3,977,583 A	8/1976	Bianchi et al.	6,398,089 B1	6/2002	Har-Shen
4,035,902 A	7/1977	Bianchi et al.	6,438,888 B1	8/2002	Lin et al.
4,044,929 A	8/1977	Caruso	6,588,635 B2	7/2003	Vor Keller et al.
4,062,481 A	12/1977	Clark	6,763,984 B2	7/2004	Gallagher
4,065,039 A	12/1977	Bianchi et al.	6,769,581 B2	8/2004	Rodgers et al.
4,084,734 A	4/1978	Bianchi et al.	D501,991 S	2/2005	Cook et al.
4,101,060 A	7/1978	Bianchi et al.	D507,104 S	7/2005	Gregory et al.
4,143,798 A	3/1979	Perkins	D508,318 S	8/2005	Gregory et al.
4,205,768 A	6/1980	Hill et al.	6,948,644 B1	9/2005	Beletsky
4,218,000 A	8/1980	Mixson	D512,561 S	12/2005	Cook et al.
4,258,871 A	3/1981	McMahon	7,028,426 B1	4/2006	Viani
4,270,680 A	6/1981	Bianchi	7,032,342 B2	4/2006	Pikielny
4,277,007 A	7/1981	Bianchi et al.	7,117,625 B2	10/2006	Pikielny
4,286,741 A	9/1981	Rodgers	7,131,228 B2	11/2006	Hochstrate et al.
4,494,328 A	1/1985	Stevens	D537,624 S	3/2007	Har-shen
4,542,841 A	9/1985	Bianchi et al.	7,191,556 B2	3/2007	Pikielny
4,577,787 A	3/1986	Hersey	7,216,450 B2	5/2007	Pikielny
4,662,552 A	5/1987	Uyehara	7,258,259 B1	8/2007	Owens
4,713,889 A	12/1987	Santiago	D567,501 S	4/2008	Zusman
4,741,465 A	5/1988	Johnson	D568,043 S	5/2008	Zusman
4,886,197 A	12/1989	Bowles et al.	D574,147 S	8/2008	Zusman
4,925,075 A	5/1990	Rodgers	7,434,712 B2	10/2008	Cook et al.
4,953,769 A	9/1990	Parsons et al.	D592,850 S	5/2009	Shen
D311,277 S	10/1990	Cupp	D594,649 S	6/2009	Zusman et al.
4,966,321 A	10/1990	Outlaw	7,562,797 B2	7/2009	Senn et al.
5,018,653 A	5/1991	Shoemaker	D601,339 S	10/2009	Zusman
5,048,682 A	9/1991	Taylor	D603,159 S	11/2009	Zusman
5,054,670 A	10/1991	Gallagher	D603,160 S	11/2009	Zusman
5,100,036 A	3/1992	Rodgers et al.	7,735,255 B1	6/2010	Kincaid et al.
D327,367 S	6/1992	Carrow et al.	7,814,698 B2	10/2010	Fluhr et al.
D331,497 S	12/1992	Dixon	7,816,888 B2	10/2010	Rejman et al.
5,174,482 A	12/1992	Rodgers et al.	D641,548 S	7/2011	Zusman
5,209,383 A	5/1993	Theodore	8,235,263 B1	8/2012	Yeates et al.
5,251,798 A	10/1993	Theodore	8,631,981 B2	1/2014	Zusman
5,251,799 A	10/1993	Theodore	8,720,755 B2	5/2014	Gregory
5,265,781 A	11/1993	Nichols	D724,314 S	3/2015	Faifer
5,275,317 A	1/1994	Rodgers et al.	D735,471 S	8/2015	Faifer
5,282,559 A	2/1994	Wisser et al.	D740,021 S	10/2015	Faifer
5,419,472 A	5/1995	Hellweg et al.	2005/0205621 A1	9/2005	Shults
5,421,497 A	6/1995	Gilmore	2005/0223614 A1	10/2005	Pikielny
5,484,093 A	1/1996	Hellweg et al.	2005/0268518 A1	12/2005	Pikielny
			2005/0268519 A1	12/2005	Pikielny
			2006/0130386 A1	6/2006	Pikielny
			2006/0156609 A1	7/2006	Kim
			2006/0236583 A1	10/2006	Pikielny
			2007/0017140 A1	1/2007	Pikielny
			2007/0084101 A1	4/2007	Pikielny
			2007/0175935 A1	8/2007	Clifton, Jr.
			2007/0266611 A1	11/2007	Stover

FIG. 1

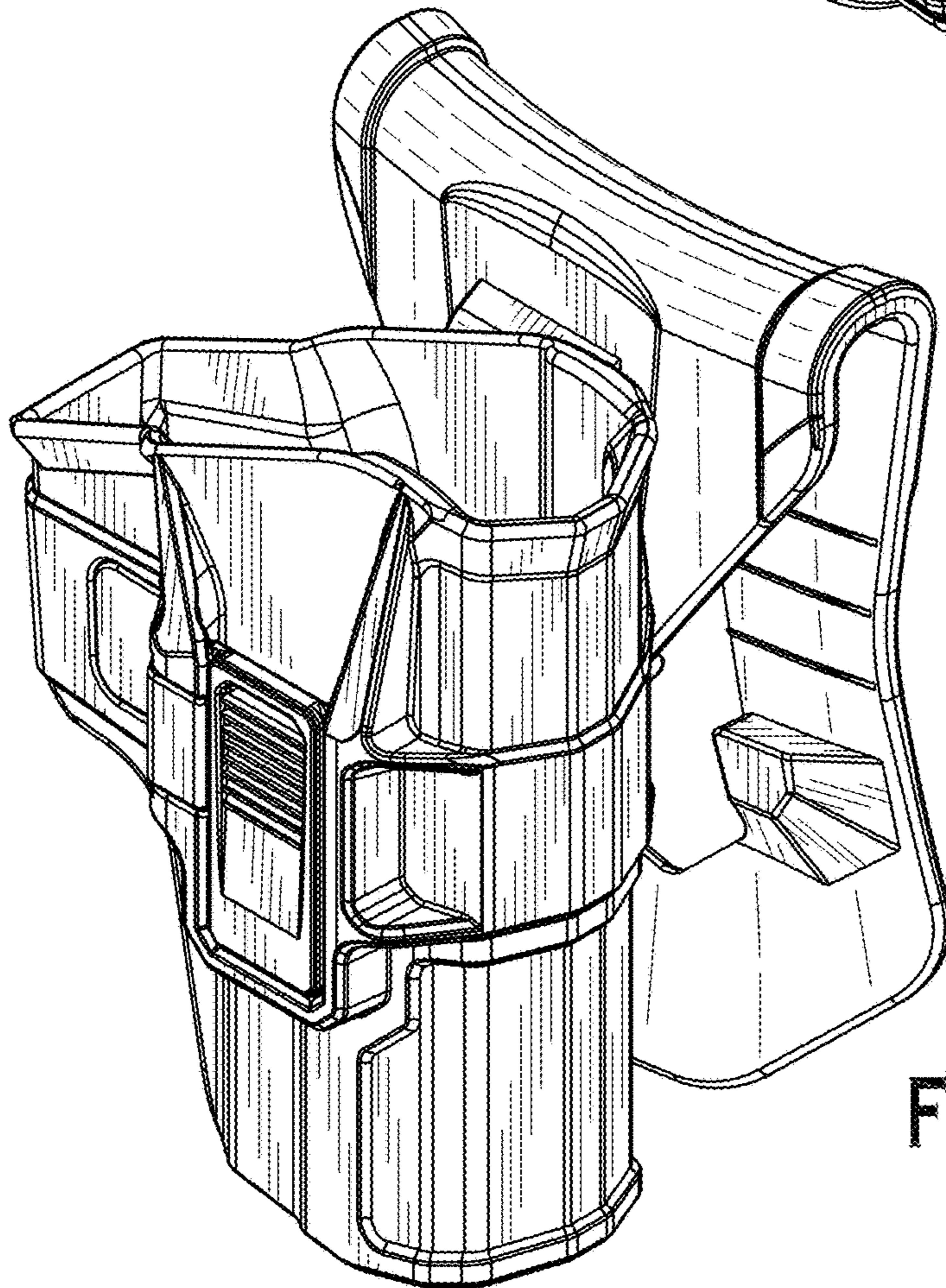
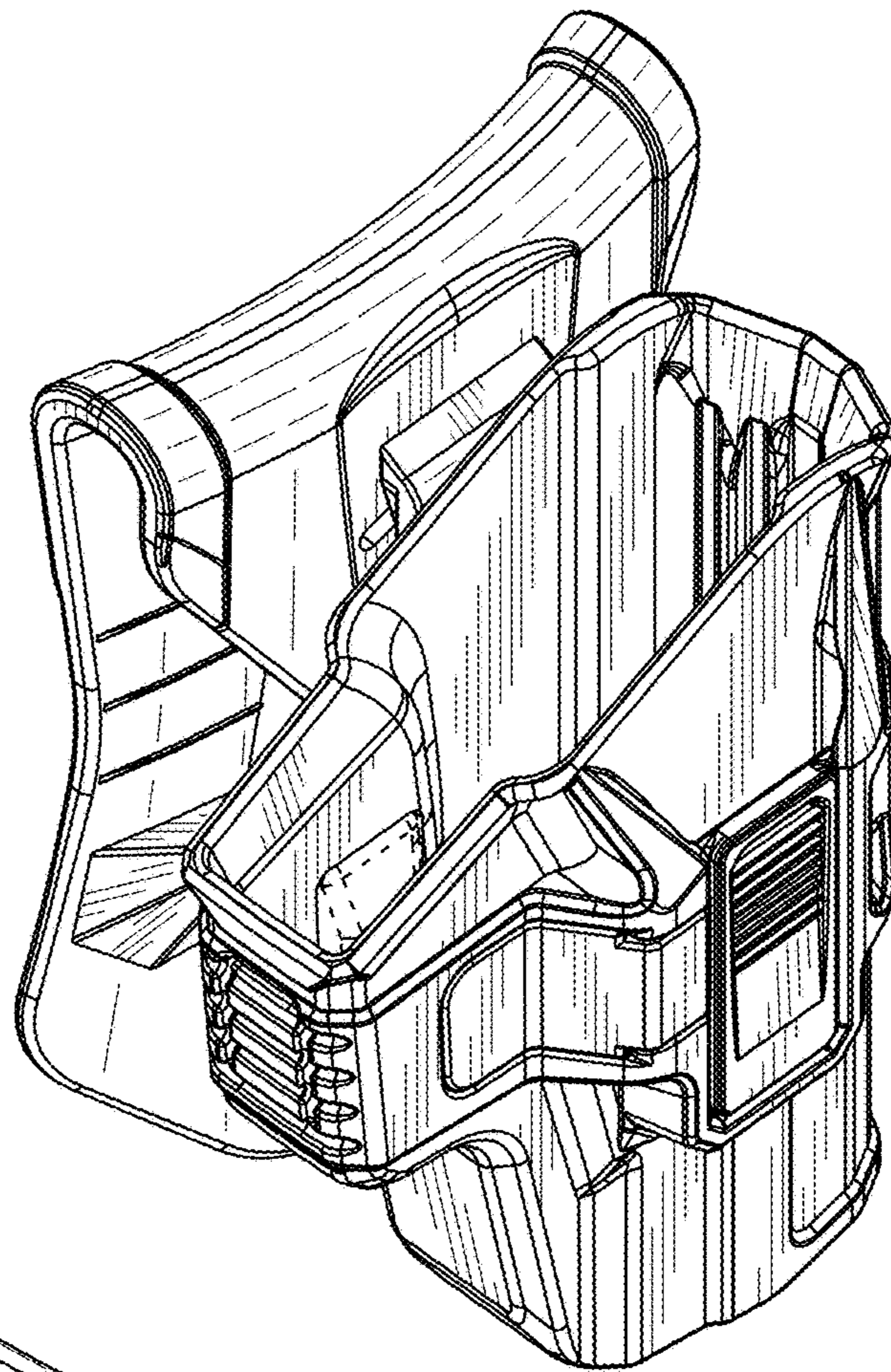


FIG. 2

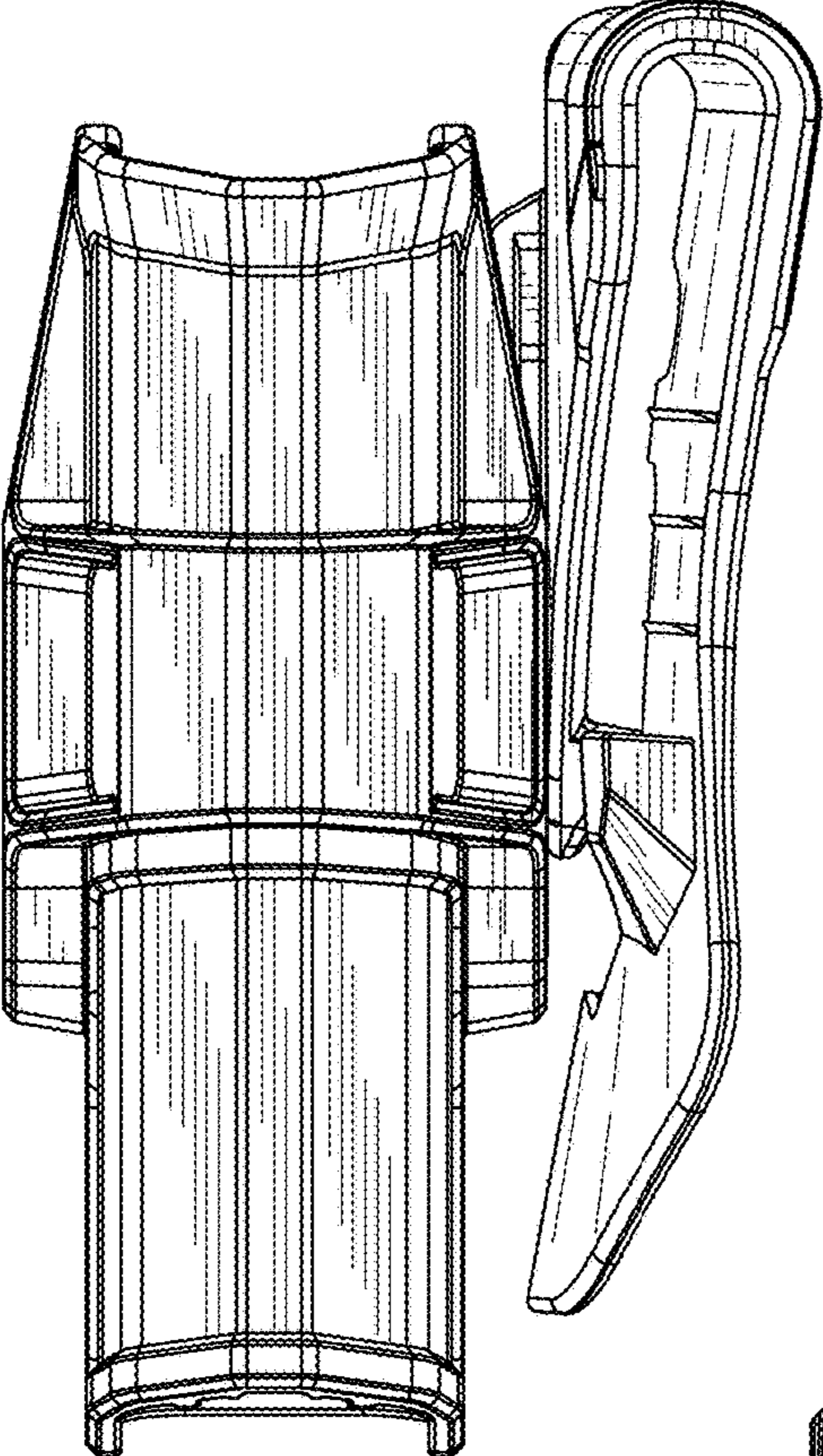


FIG. 3

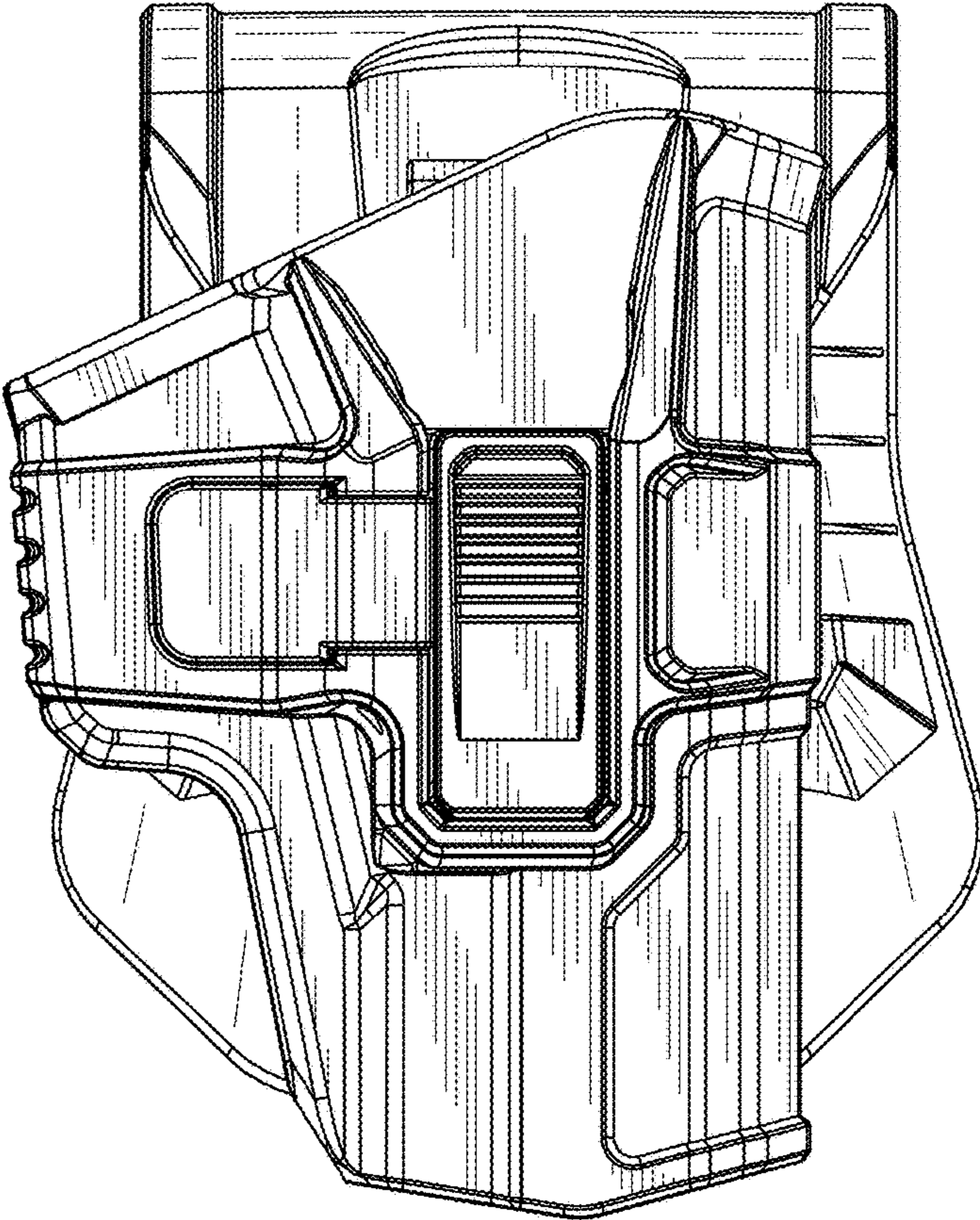


FIG. 4

FIG. 5

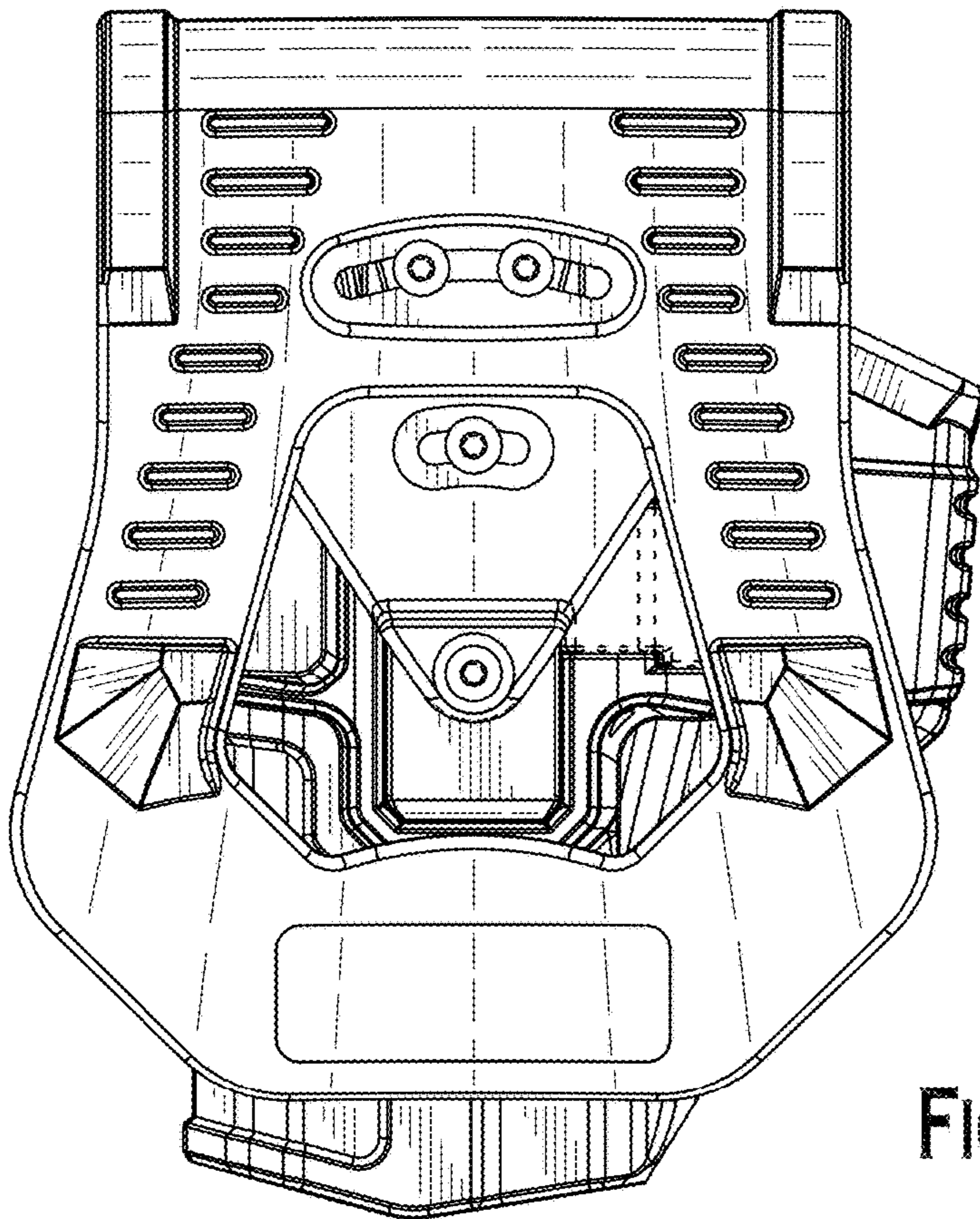
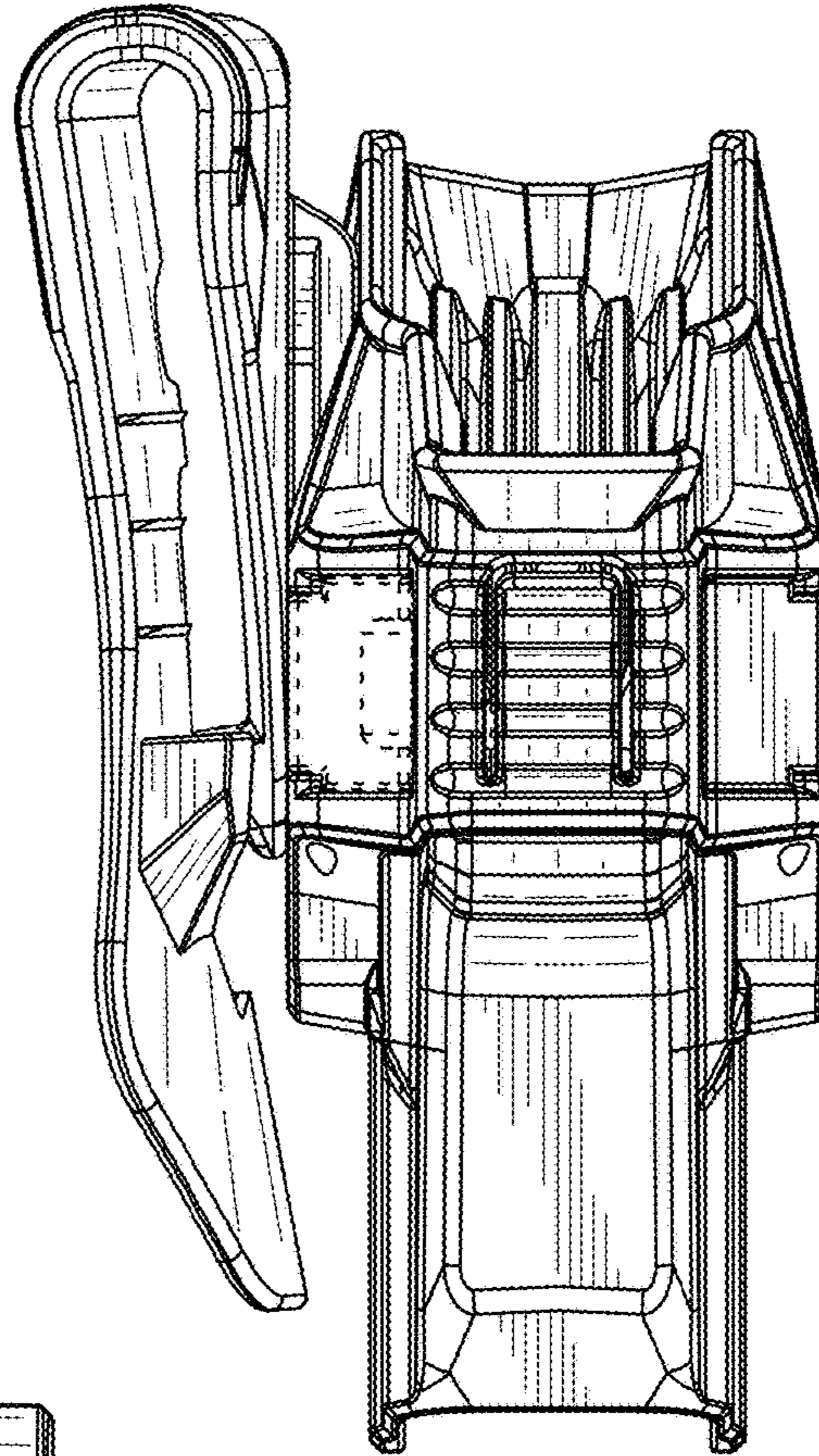


FIG. 6

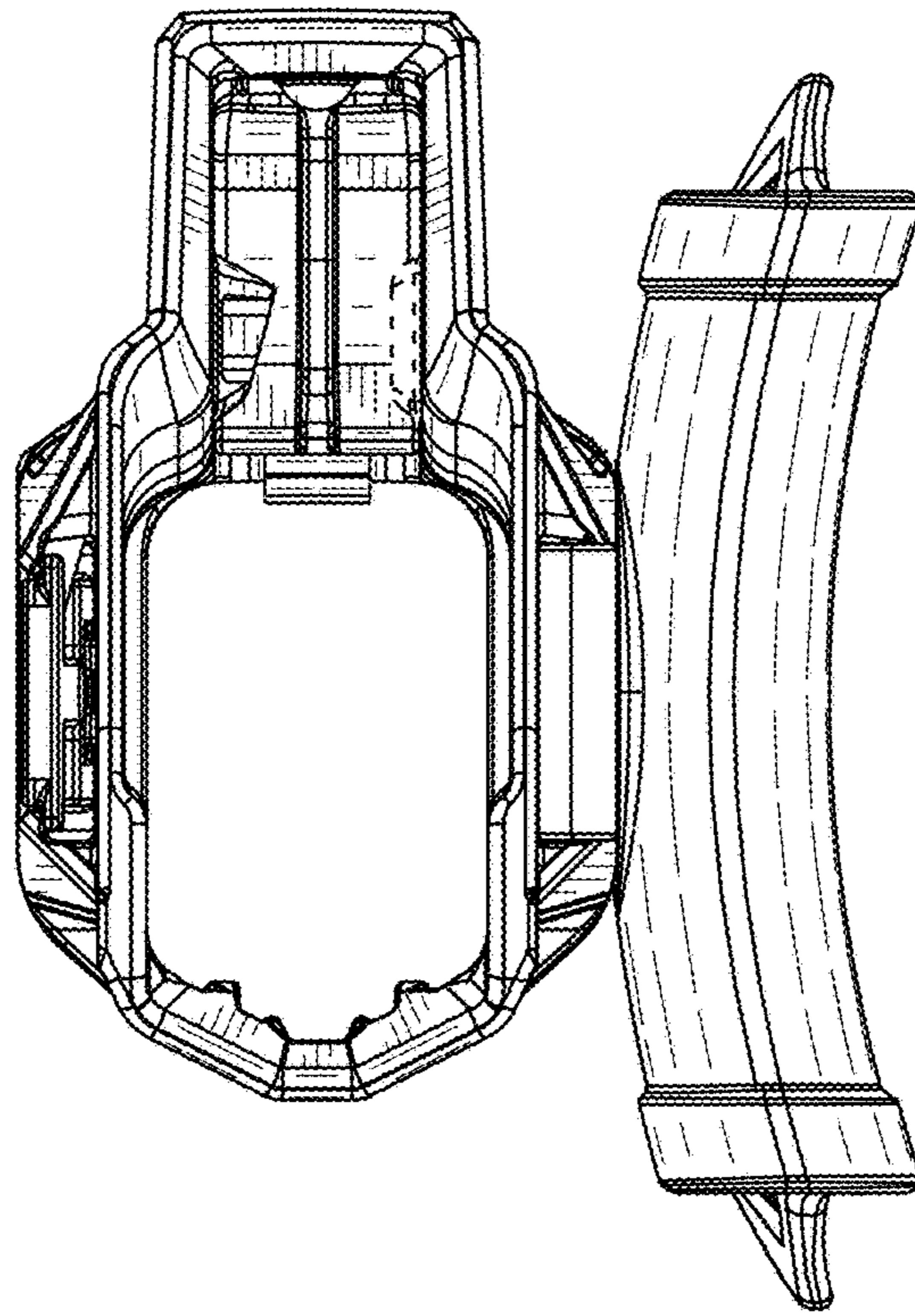


FIG. 7

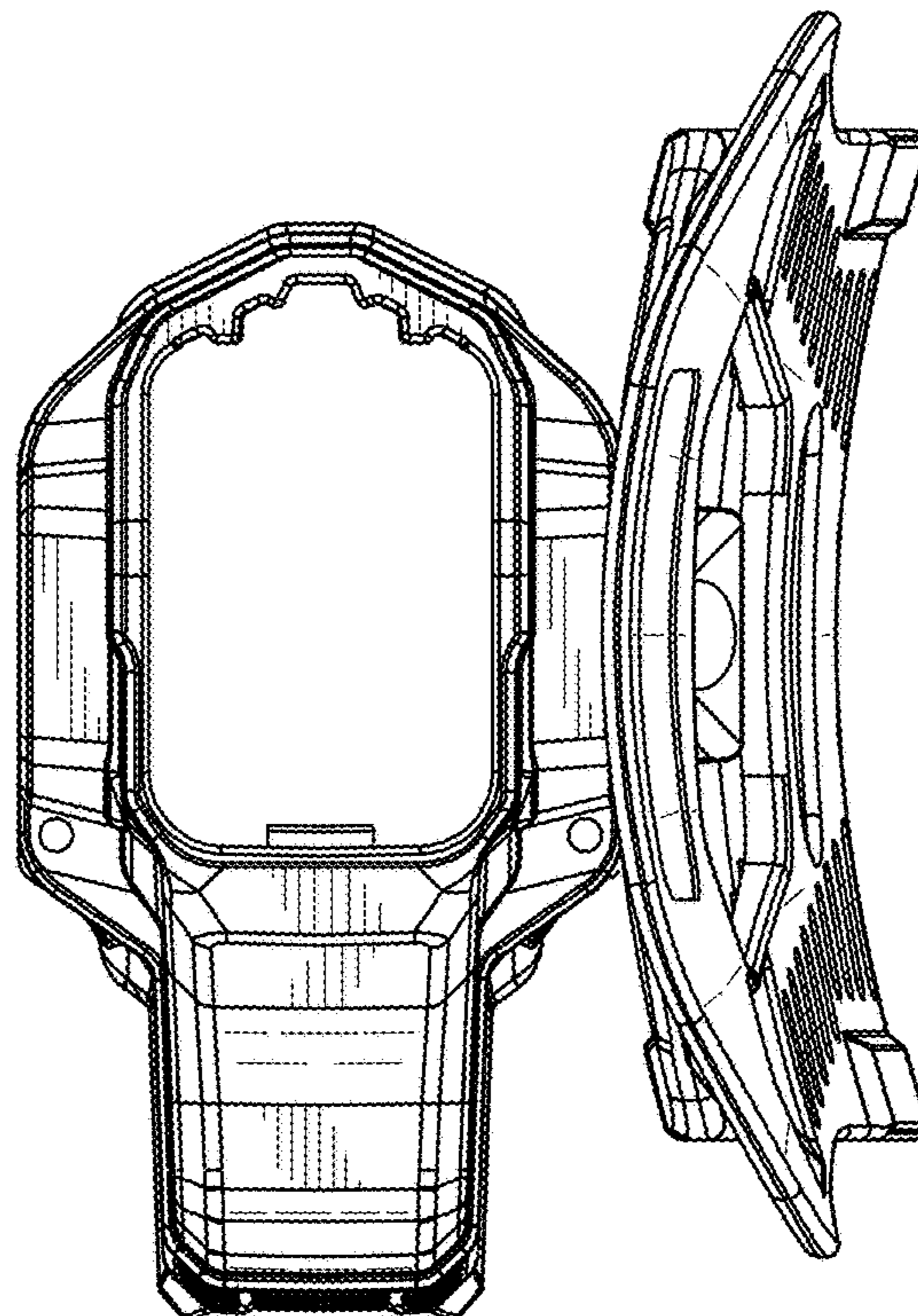


FIG. 8

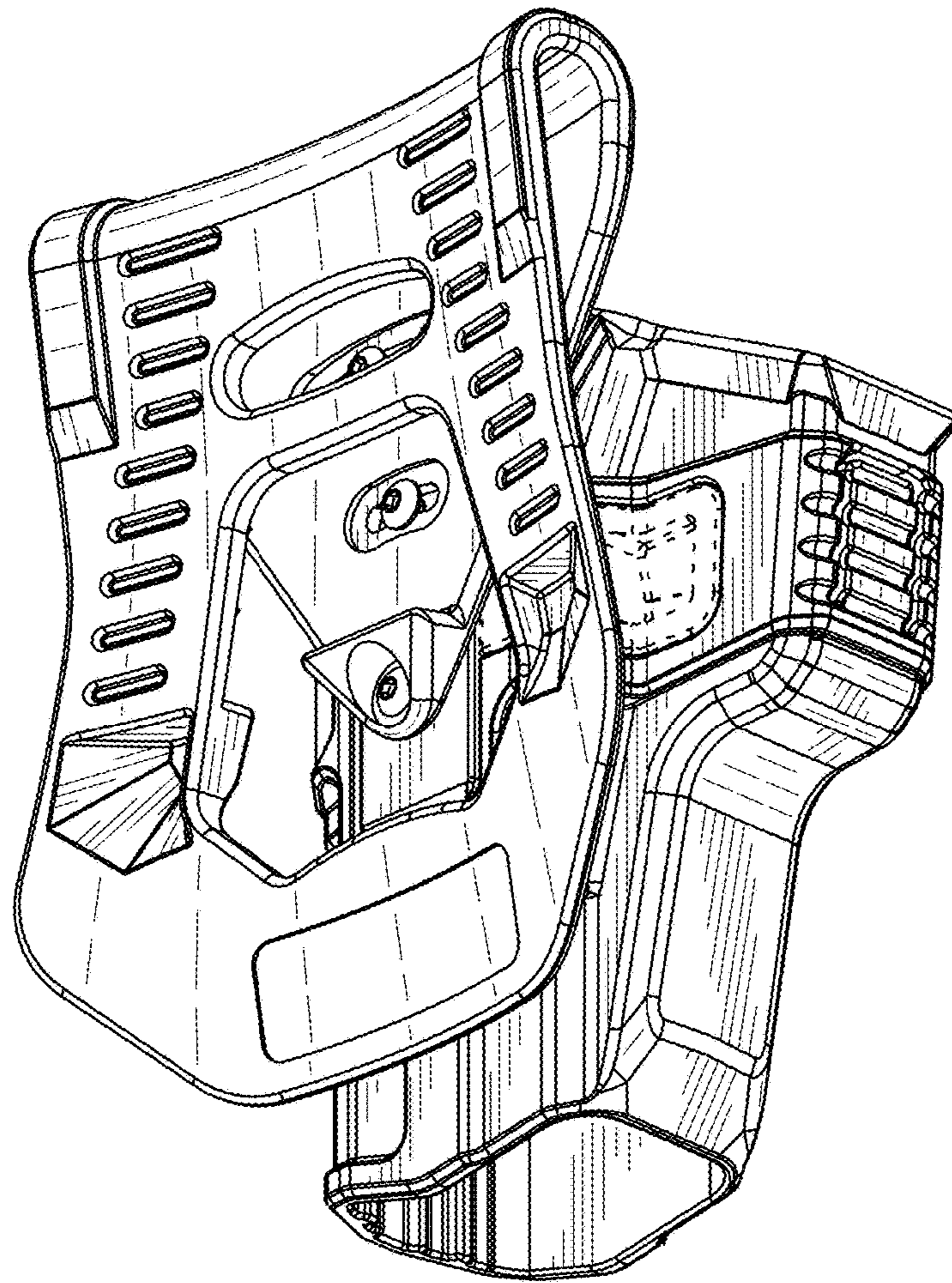


FIG. 9

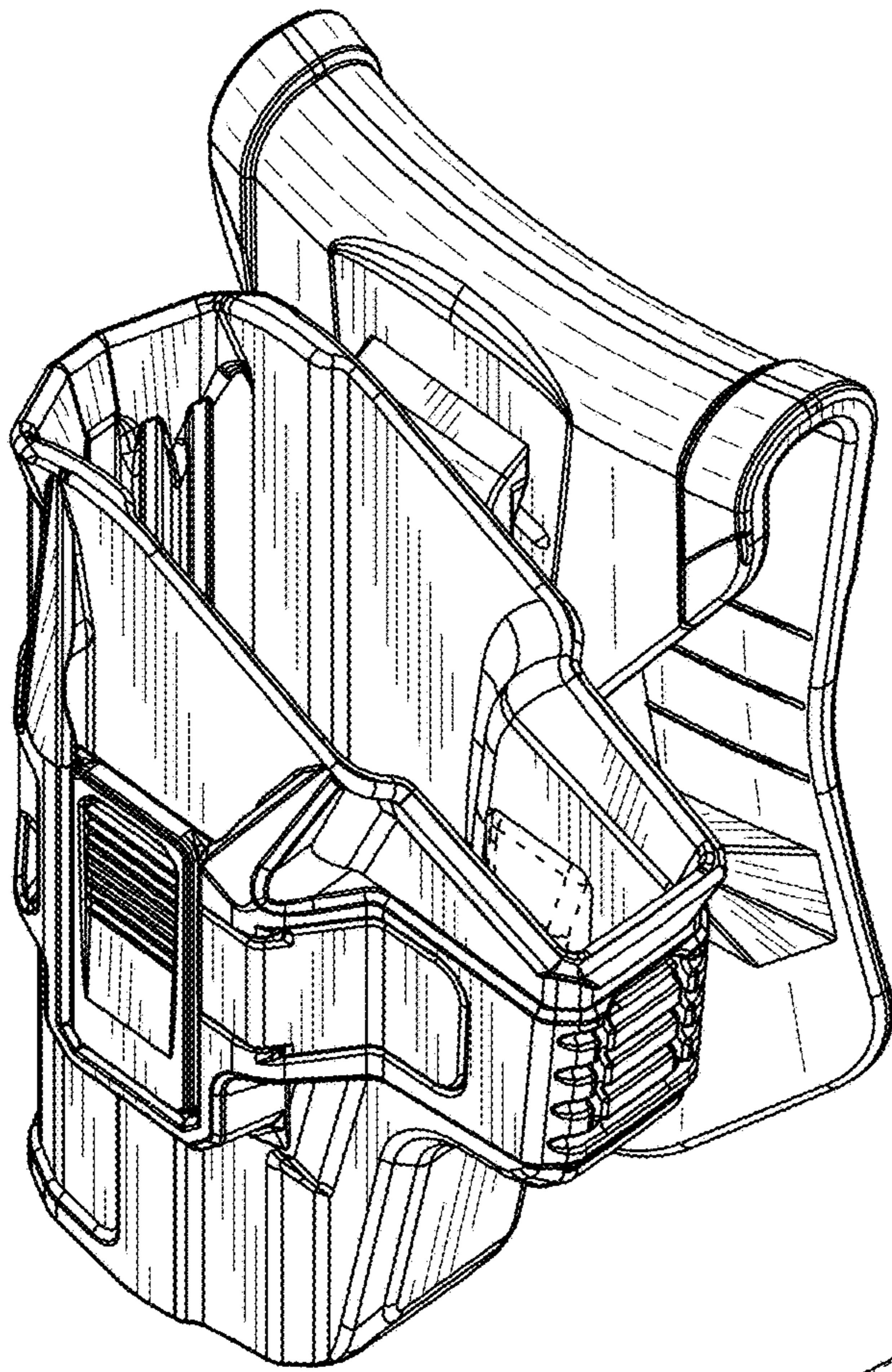


FIG. 10

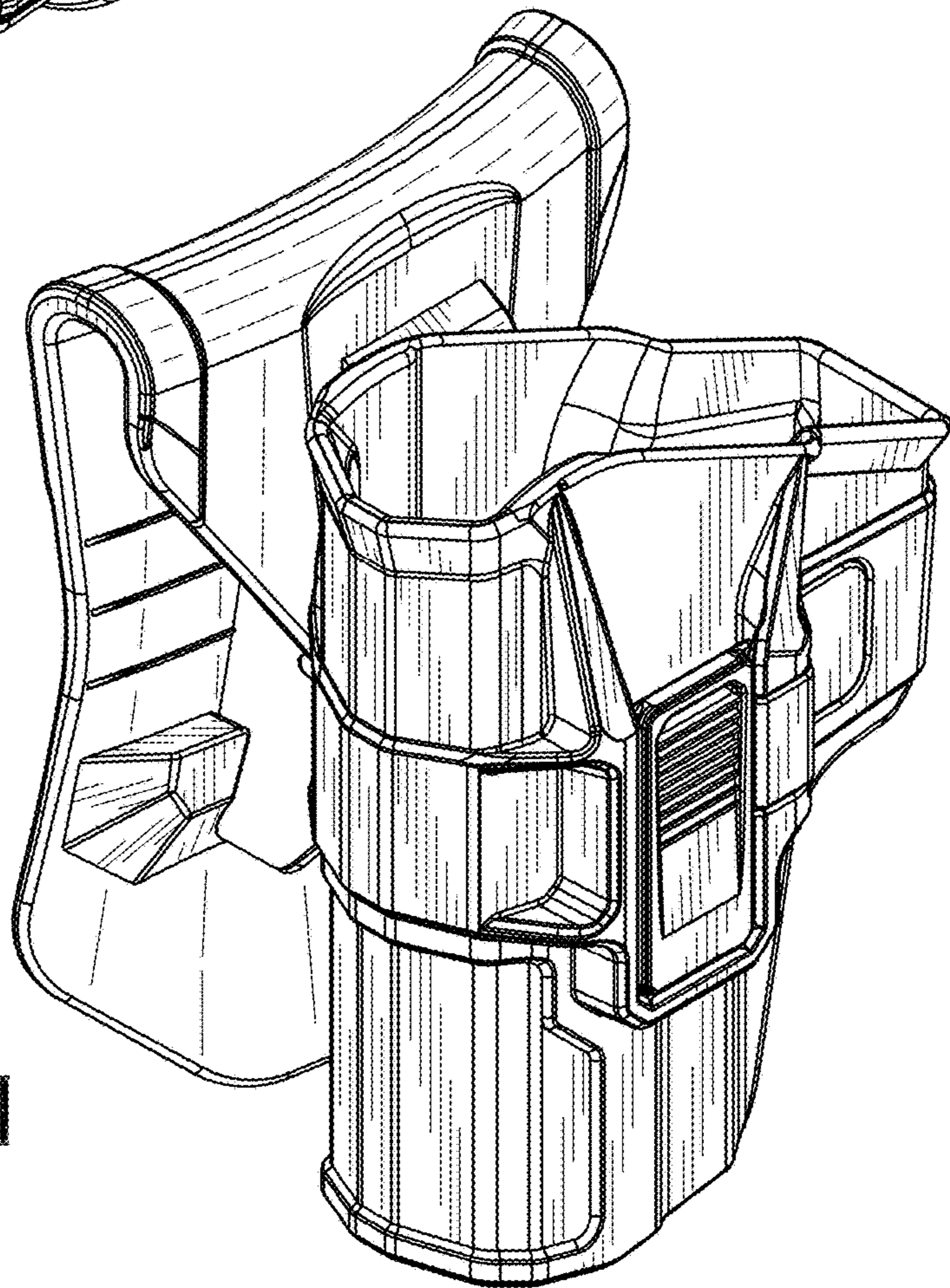


FIG. 11

FIG. 12

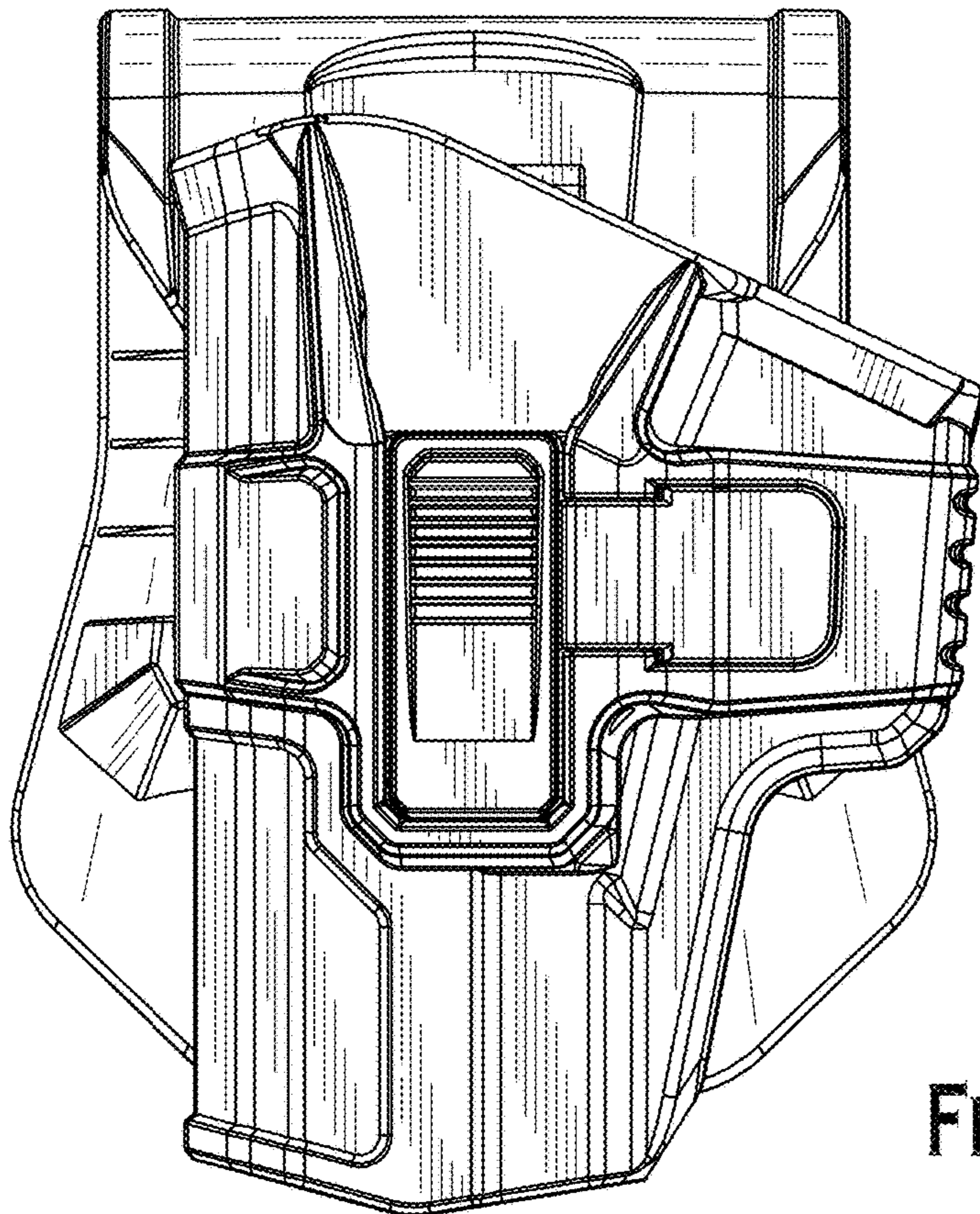
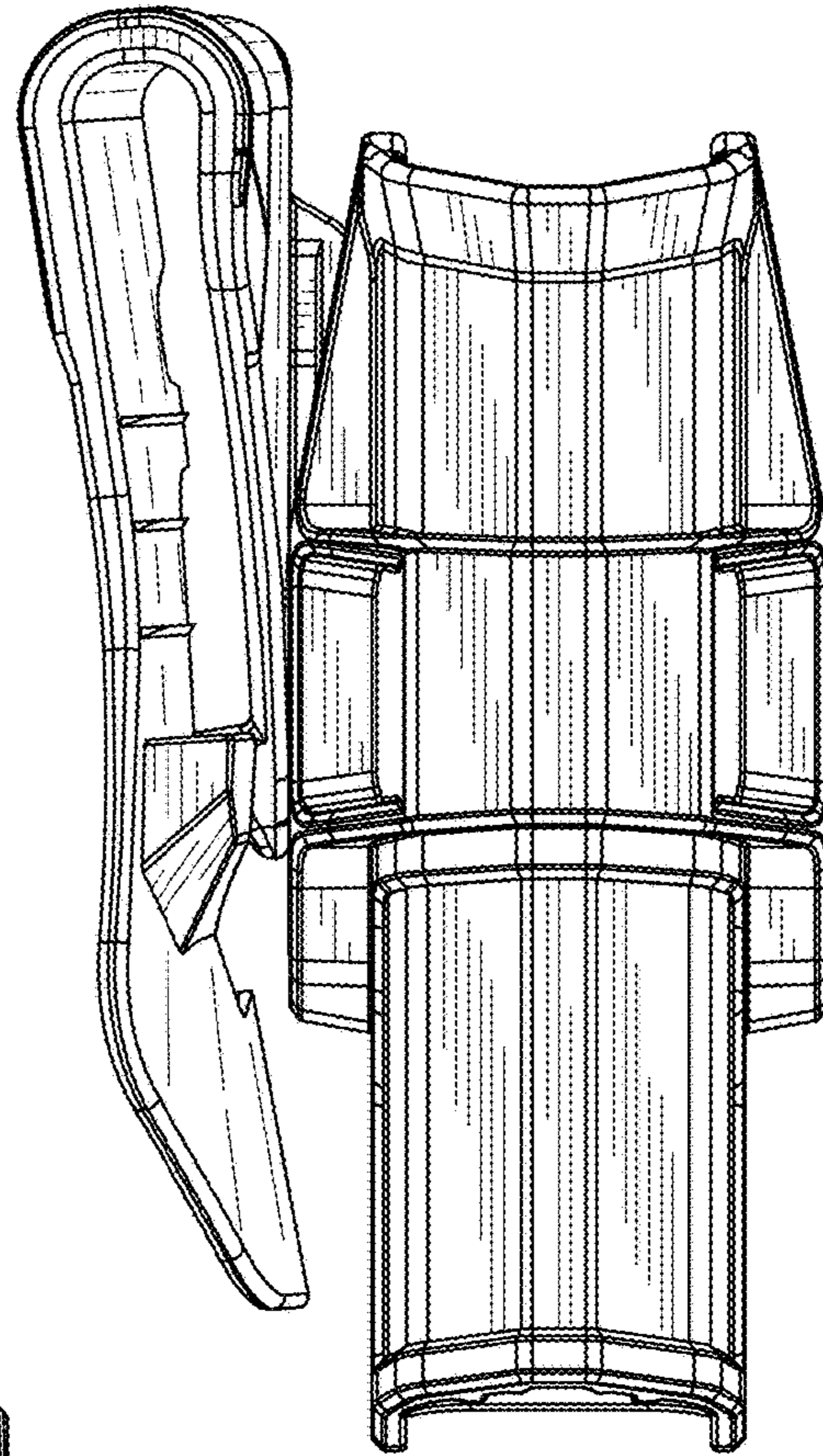


FIG. 13

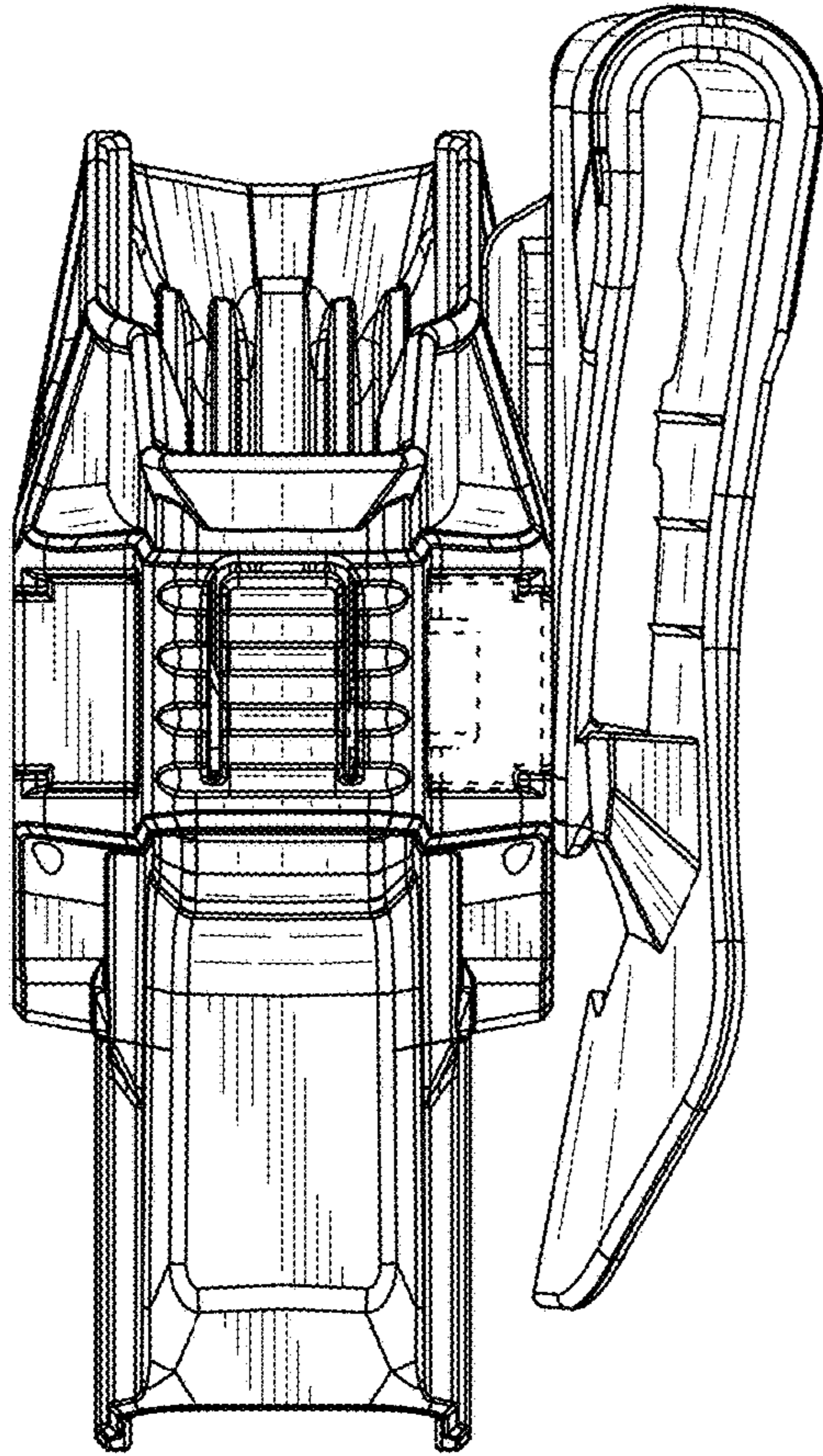


FIG. 14

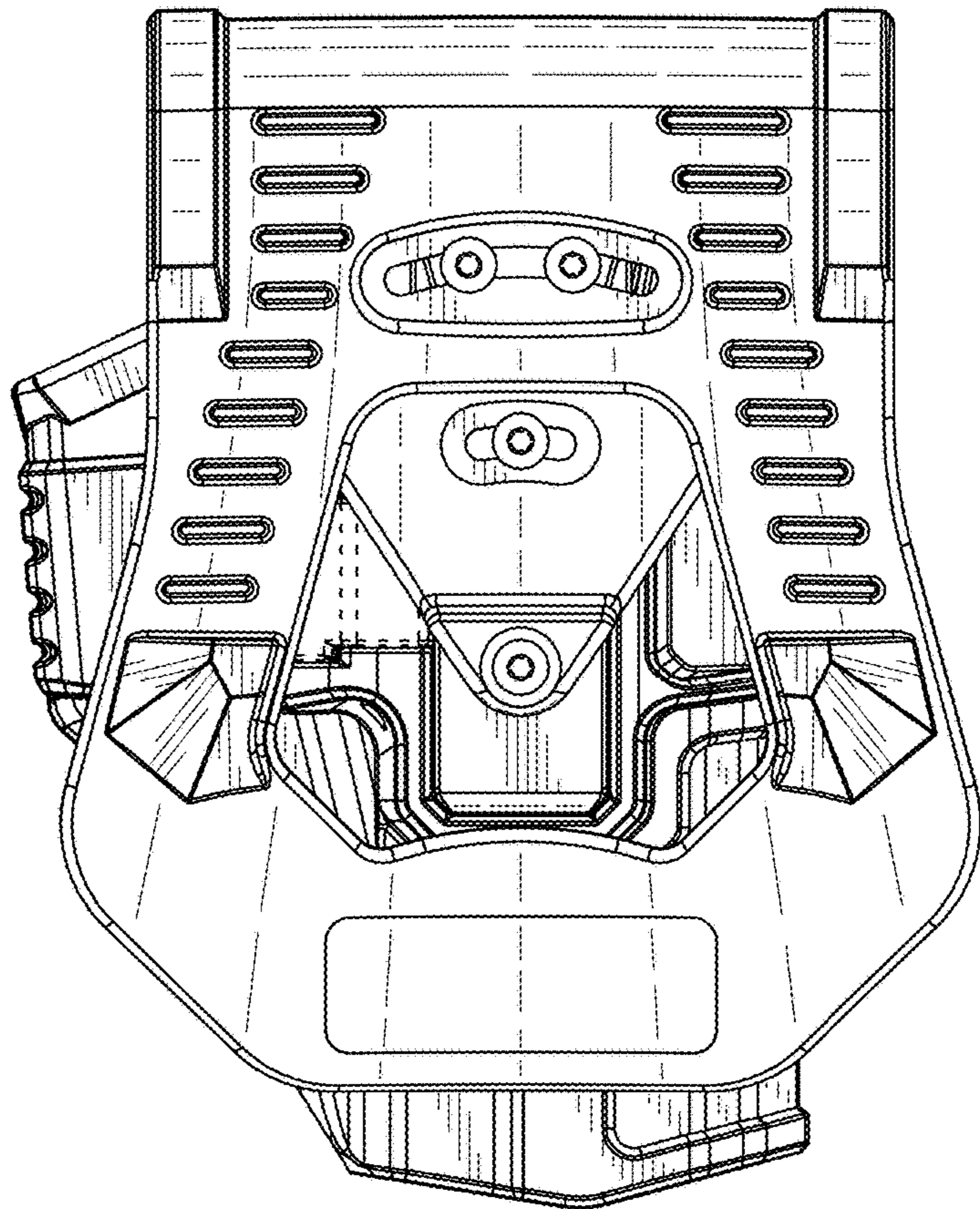


FIG. 15

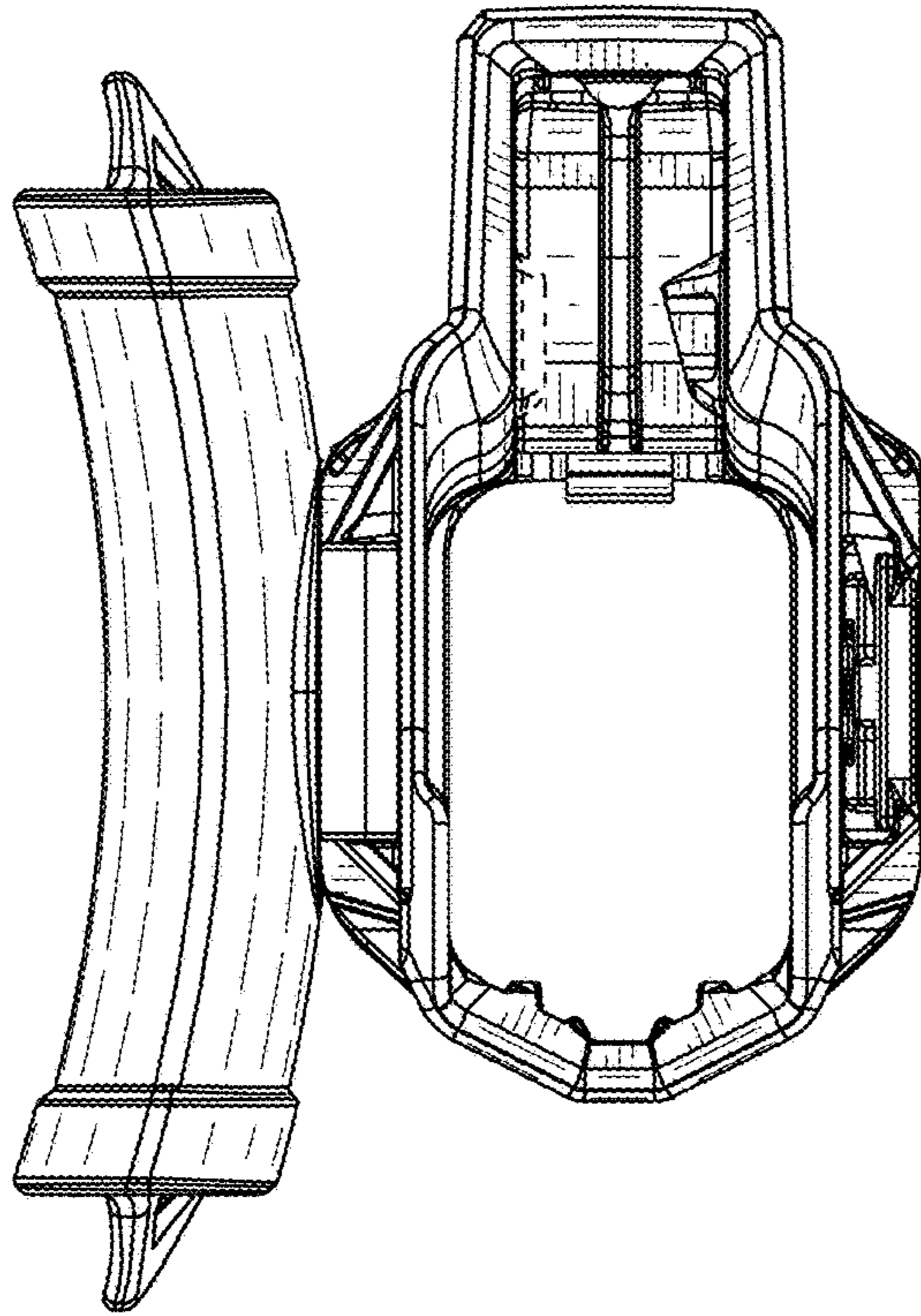


FIG. 16

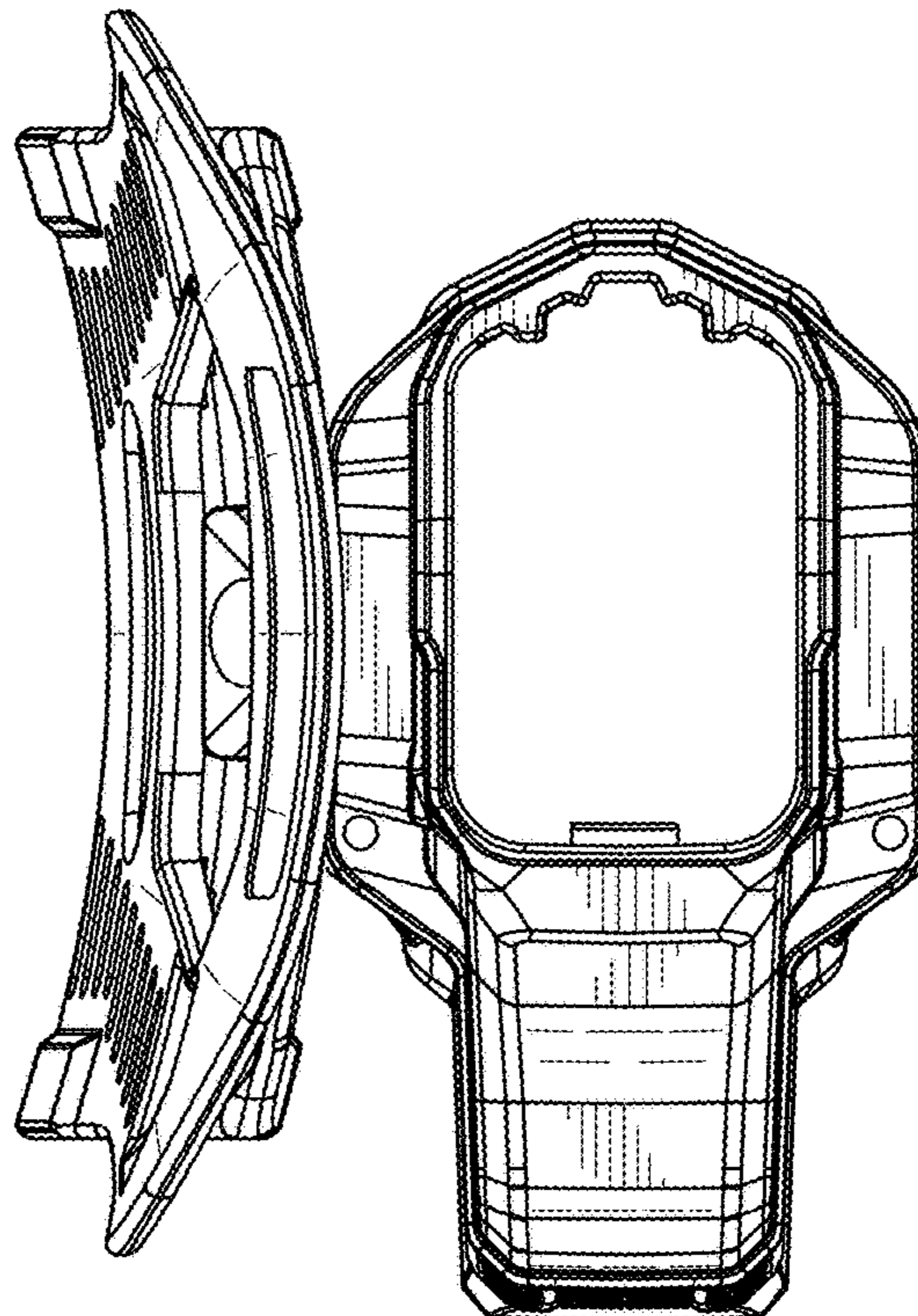


FIG. 17

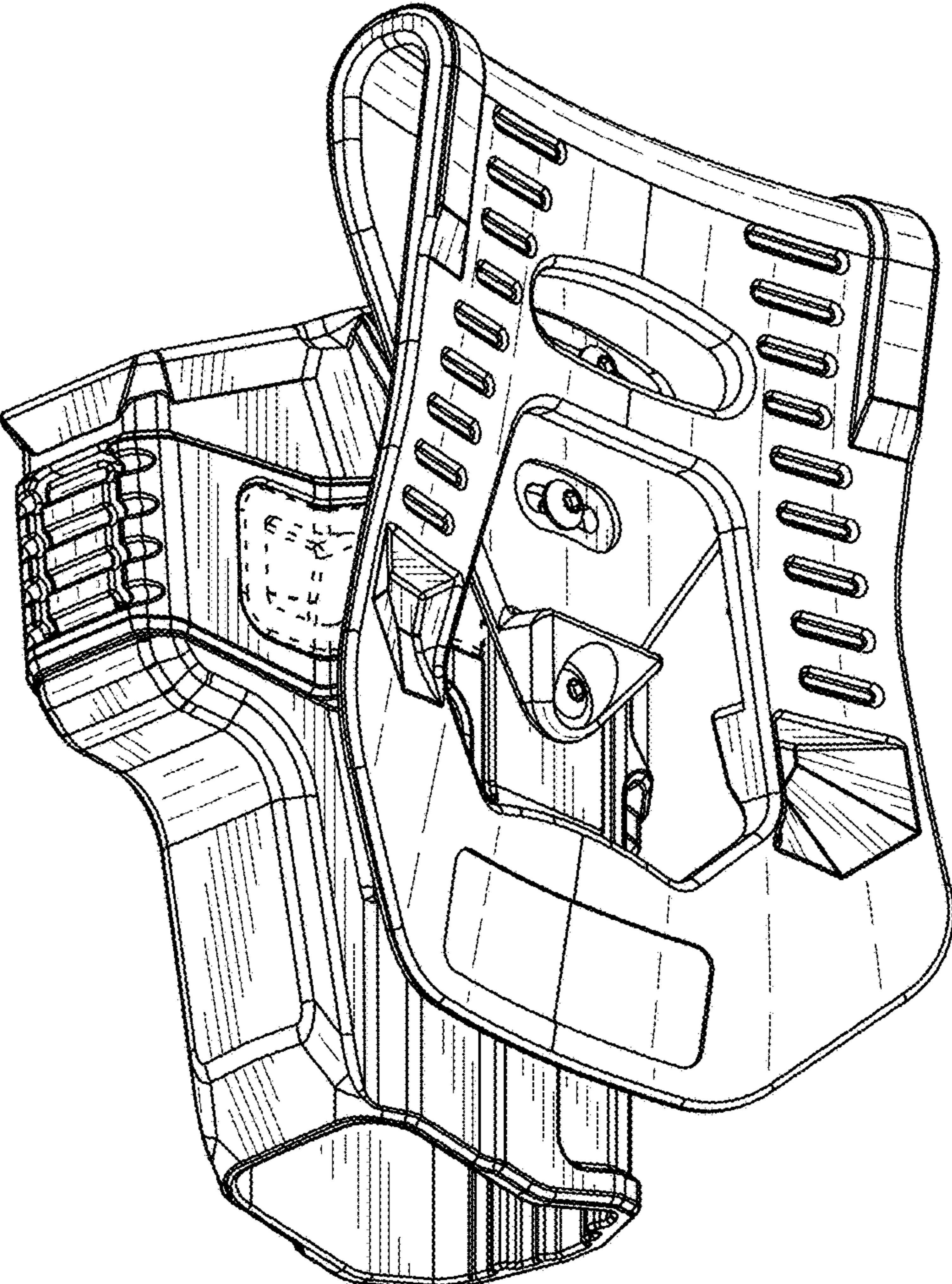


FIG. 18