



US00D776423S

(12) **United States Design Patent**
Zhou et al.

(10) **Patent No.:** **US D776,423 S**
(45) **Date of Patent:** **** Jan. 17, 2017**

(54) **CARRYING CASE FOR MEDICAL DELIVERY DEVICE**

FOREIGN PATENT DOCUMENTS

CN 302003508 7/2012
EM 001699448-0001 5/2010

(Continued)

(71) Applicant: **ABBVIE INC.**, North Chicago, IL (US)

(72) Inventors: **Ji Zhou**, Lake Villa, IL (US); **Shawn Malloy**, Chicago, IL (US); **Grant Whitney**, Chicago, IL (US); **Rajkumar Conjeevaram**, Lake Bluff, IL (US); **Phil Anderson**, Libertyville, IL (US); **David Lacewell**, Naperville, IL (US); **Mehdi Megdoud**, Antony (FR); **Mikael Tutschke-Saettler**, Moehlin (CH); **Damon Vaughan**, Chicago, IL (US); **Derek Leatzow**, Chicago, IL (US); **Sean Corrigan**, Chicago, IL (US); **John White**, Chicago, IL (US); **Michael Lau**, Chicago, IL (US)

OTHER PUBLICATIONS

Advantages of a Police Outer Vest Carrier, Announced Oct. 8, 2013, [Site Visited Mar. 28, 2016] <http://www.blauer.com/dispatch/advantages-of-a-police-outer-vest-carrier/>.

(Continued)

Primary Examiner — George D Kirschbaum
Assistant Examiner — Jennifer Watkins
(74) *Attorney, Agent, or Firm* — Baker Botts L.L.P.

(73) Assignee: **ABBVIE INC.**, North Chicago, IL (US)

(**) Term: **14 Years**

(21) Appl. No.: **29/524,017**

(22) Filed: **Apr. 15, 2015**

(51) **LOC (10) Cl.** **03-01**

(52) **U.S. Cl.**
USPC **D3/216; D24/190**

(58) **Field of Classification Search**
USPC ... D24/189–192; D2/828–830; D3/215–217, 222; D29/101.1

(Continued)

(56) **References Cited**

U.S. PATENT DOCUMENTS

D29,559 S 10/1898 Tesiny
D170,156 S 8/1953 Hagan

(Continued)

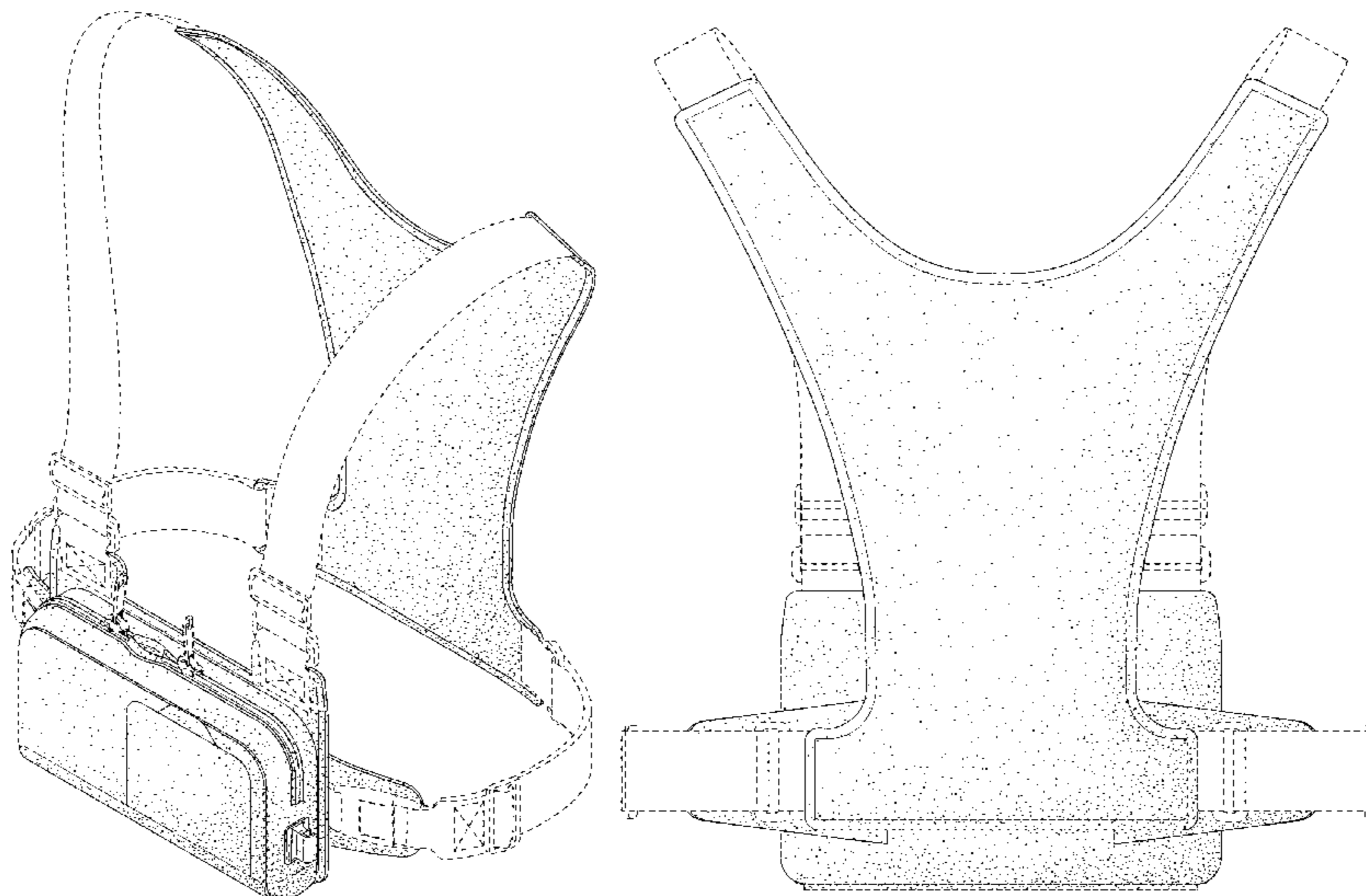
(57) **CLAIM**

The ornamental design for a carrying case for medical delivery device, as shown and described.

DESCRIPTION

FIG. 1 is a perspective view of our design for a carrying case for medical delivery device.
FIG. 2 is a front view of the carrying case for medical delivery device of FIG. 1.
FIG. 3 is a rear view of the carrying case for medical delivery device of FIG. 1.
FIG. 4 is a left side view of the carrying case for medical delivery device of FIG. 1.
FIG. 5 is a right side view of the carrying case for medical delivery device of FIG. 1.
FIG. 6 is a top view of the carrying case for medical delivery device of FIG. 1.
FIG. 7 is a bottom view of the carrying case for medical delivery device of FIG. 1; and,
FIG. 8 is a perspective view of the carrying case for medical delivery device of FIG. 1 in an open configuration.
The broken lines shown throughout these figures depict environmental subject matter only and form no part of the claimed design.

1 Claim, 8 Drawing Sheets



(58) **Field of Classification Search**
 CPC A45F 3/04; A45F 3/14; A45F 5/00;
 A45F 2003/045
 See application file for complete search history.

(56) **References Cited**

U.S. PATENT DOCUMENTS

2,954,563 A 10/1960 De Grazia
 D237,022 S 10/1975 Mathis
 D245,537 S * 8/1977 Gurgiolo D24/190
 D256,850 S 9/1980 Donahue
 D257,910 S 1/1981 Viio
 D261,447 S 10/1981 Viio
 D263,641 S * 4/1982 Nandorf D29/101.1
 D273,818 S 5/1984 Spencer
 D278,090 S 3/1985 Cochran
 D278,840 S 5/1985 Winston
 4,602,387 A 7/1986 Zakrzewski
 D292,015 S 9/1987 McWaters
 D293,618 S 1/1988 Berenson
 4,764,962 A * 8/1988 Ekman H04R 1/02
 224/259
 D315,242 S 3/1991 Ruge
 5,002,270 A 3/1991 Shine
 D340,794 S 11/1993 Winston
 D351,061 S * 10/1994 Coons D3/219
 D356,883 S 4/1995 Ganahl
 D360,517 S 7/1995 Reizenstein
 D363,593 S 10/1995 Murray
 5,465,424 A 11/1995 Cudney et al.
 5,477,998 A * 12/1995 Reckler A41D 13/01
 224/586
 D384,788 S 10/1997 Curry
 5,708,978 A 1/1998 Johnsrud
 D390,338 S 2/1998 Plasco
 D391,682 S * 3/1998 Palembas D29/101.1
 D392,439 S 3/1998 Okoniewski
 D398,738 S 9/1998 De La Rosa
 D402,788 S 12/1998 Blankenship, Jr.
 D409,697 S 5/1999 Ott
 D414,913 S 10/1999 Katz et al.
 D428,696 S * 8/2000 Fier D3/216
 D429,564 S * 8/2000 Carver D3/226
 D435,168 S * 12/2000 Momburg D3/215

D435,169 S * 12/2000 Carver D3/226
 D455,009 S * 4/2002 Thayer D3/316
 D461,036 S 8/2002 Forbes
 D475,837 S 6/2003 Neider
 6,675,391 B2 1/2004 Morrison
 6,874,163 B2 4/2005 Marshall
 7,058,982 B2 6/2006 Atallah et al.
 D538,509 S 3/2007 Silverman
 D545,028 S 6/2007 Myrick
 D580,633 S 11/2008 Cross
 D602,678 S 10/2009 Foley
 D611,681 S 3/2010 Pettingill et al.
 D622,036 S 8/2010 Mason, III
 D653,430 S 2/2012 Pouches
 D655,478 S 3/2012 McCollum
 D677,861 S 3/2013 Perry
 D683,933 S 6/2013 Robbins
 D685,159 S 7/2013 Lambertz
 D689,262 S 9/2013 Passman
 D689,690 S * 9/2013 Hordos D3/215
 D707,424 S 6/2014 Pezzimenti
 D714,022 S 9/2014 Mong et al.
 8,960,511 B2 * 2/2015 Shepherd A45C 3/00
 224/259
 D734,567 S * 7/2015 Broder D29/122
 2004/0153012 A1 8/2004 Schroeder
 2014/0367438 A1 * 12/2014 Hunt A45F 5/14
 224/567

FOREIGN PATENT DOCUMENTS

KR 300432848.0000 12/2006
 KR 300764966.0000 10/2014
 NO 20090182-0010 11/2009

OTHER PUBLICATIONS

Improve Osteopenia and Osteoporosis by Wearing this Weight Vest,
 Announced Aug. 20, 2013 [Site Visited Mar. 28, 2016] <http://weightvest4osteoporosis.com/>.
 Warrior Class Studios, Announced Jul. 24, 2013 [Site Visited Mar.
 28, 2016] <http://warriorclasstudios.blogspot.com/2013/07/warriorclasstudios-another-essential.html>.

* cited by examiner

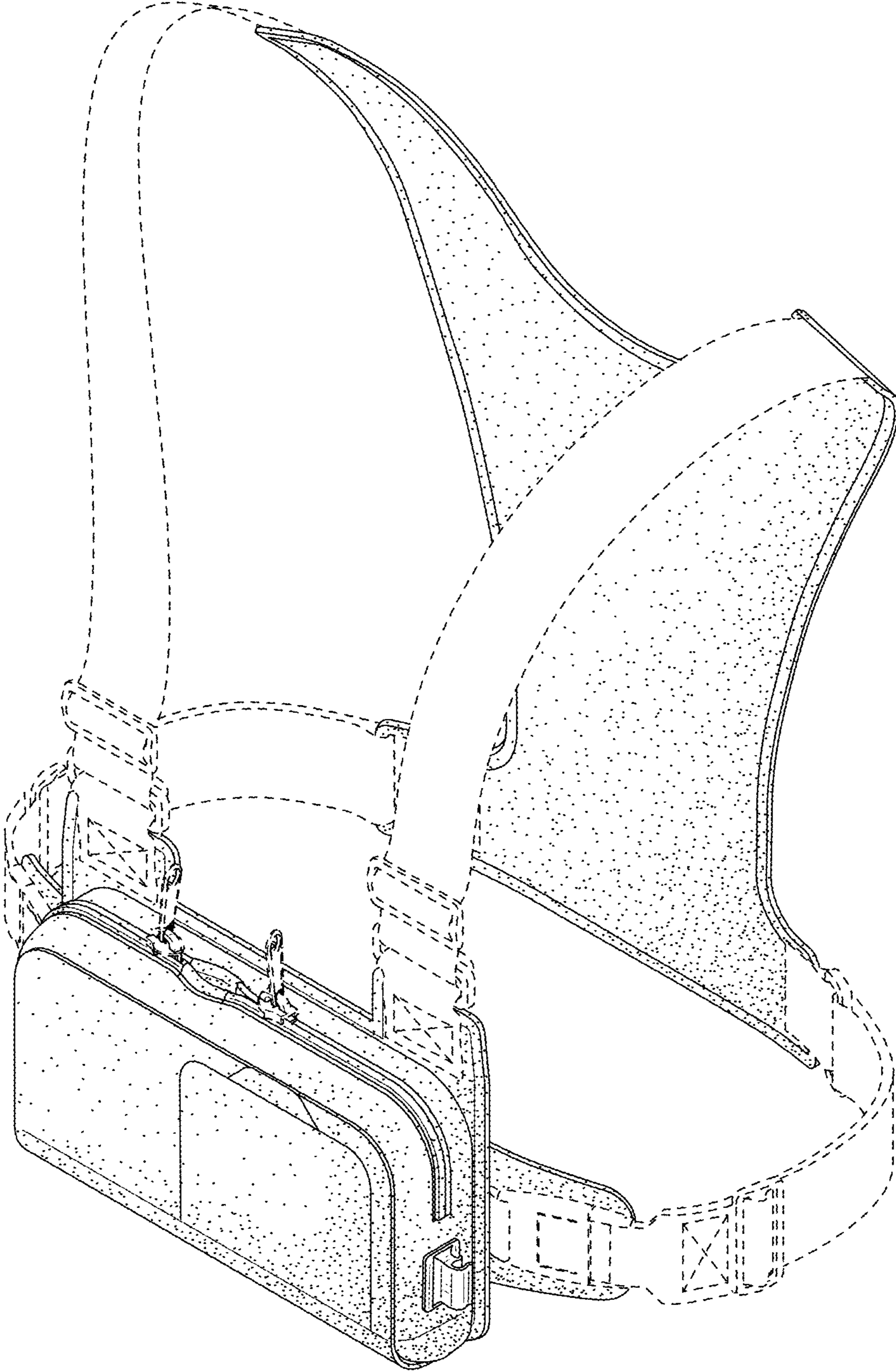


FIG. 1

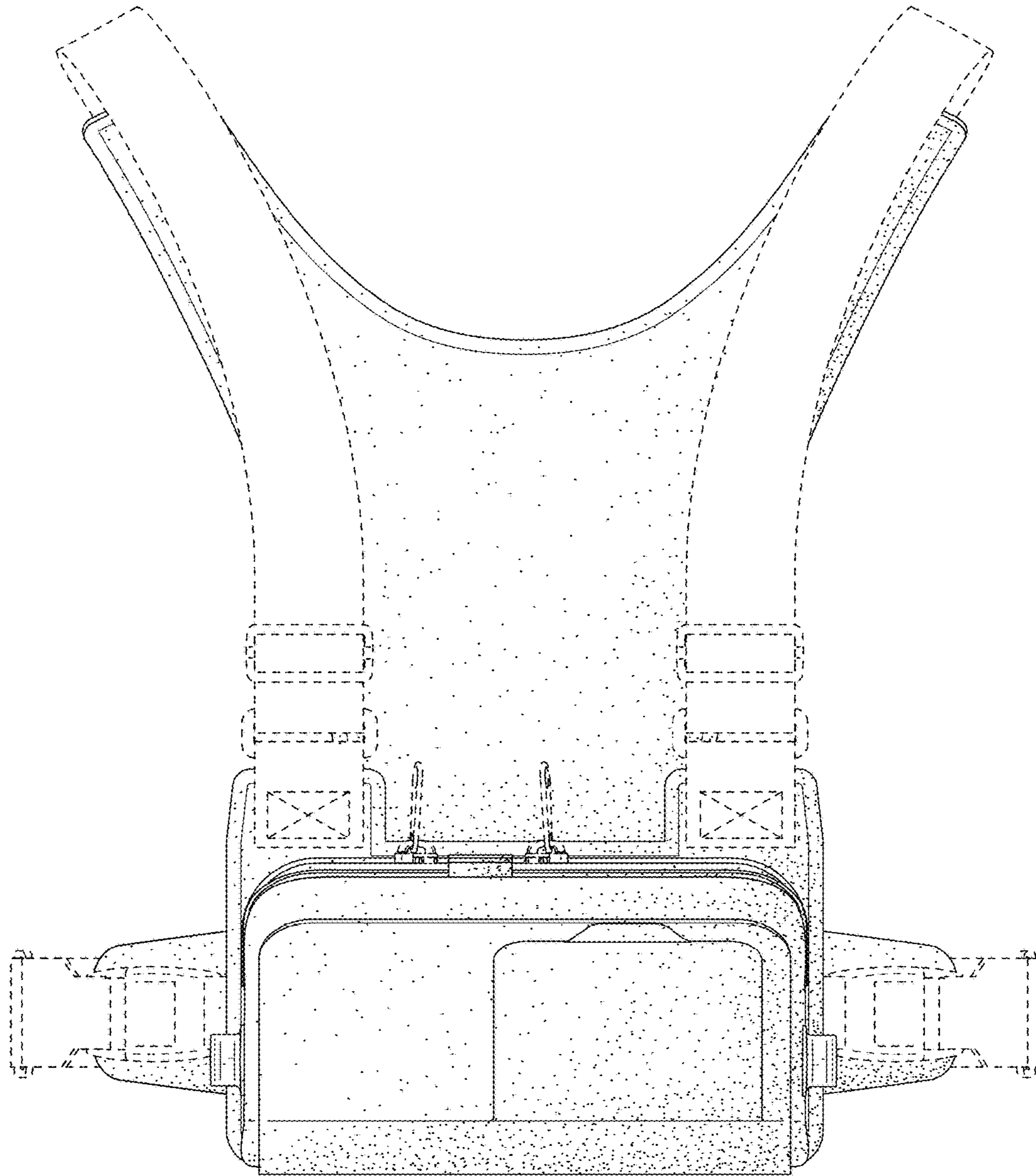


FIG. 2

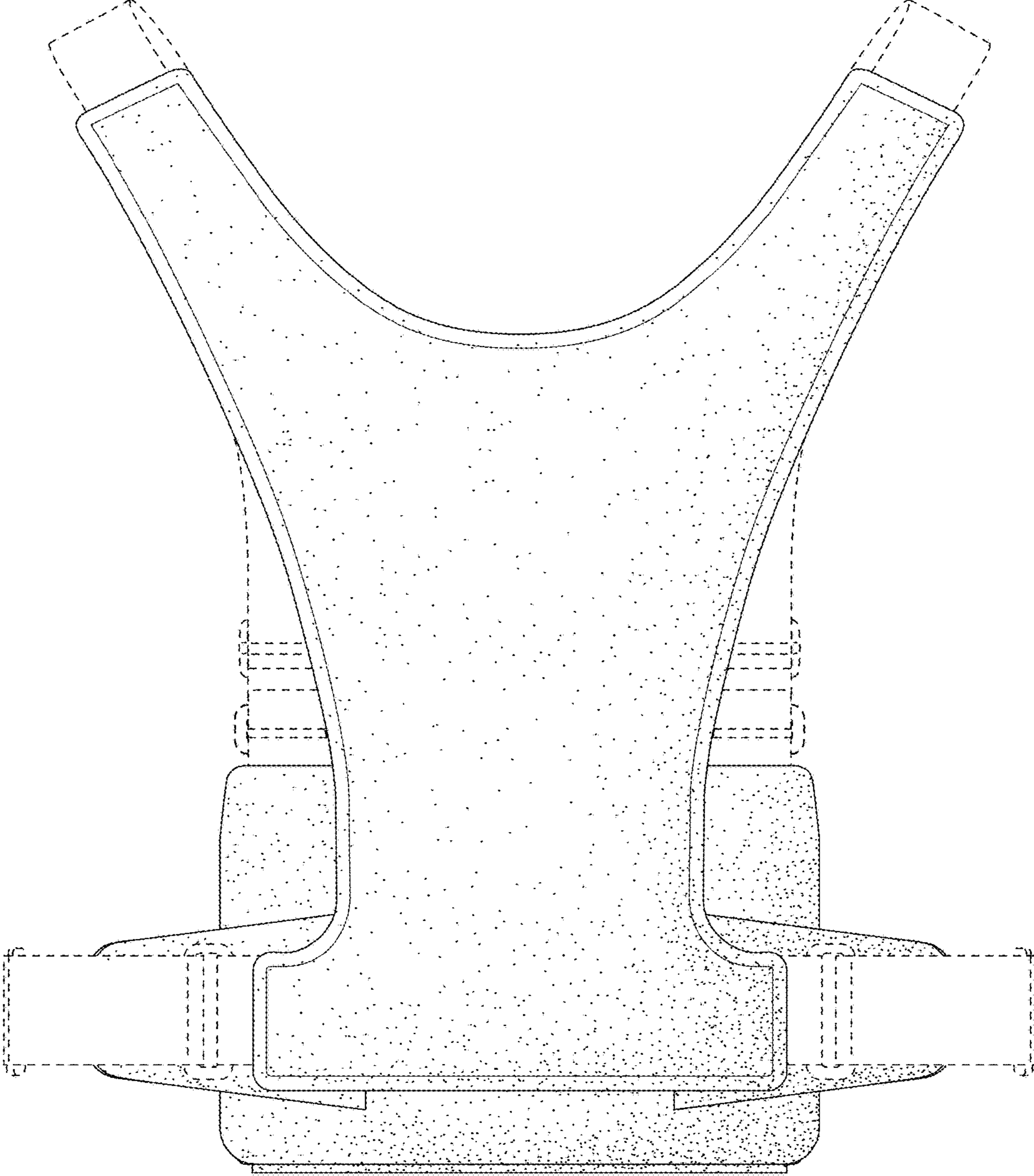


FIG. 3

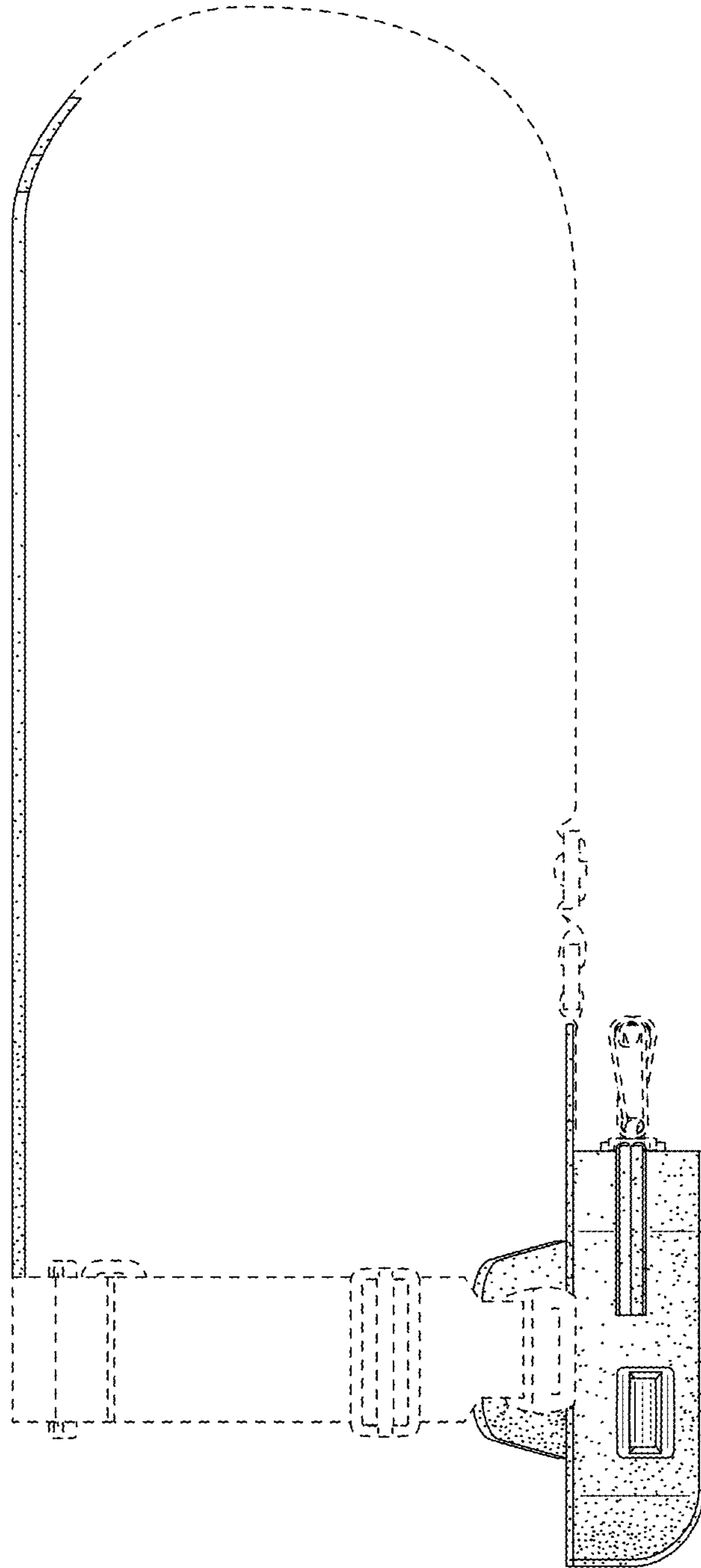


FIG. 4

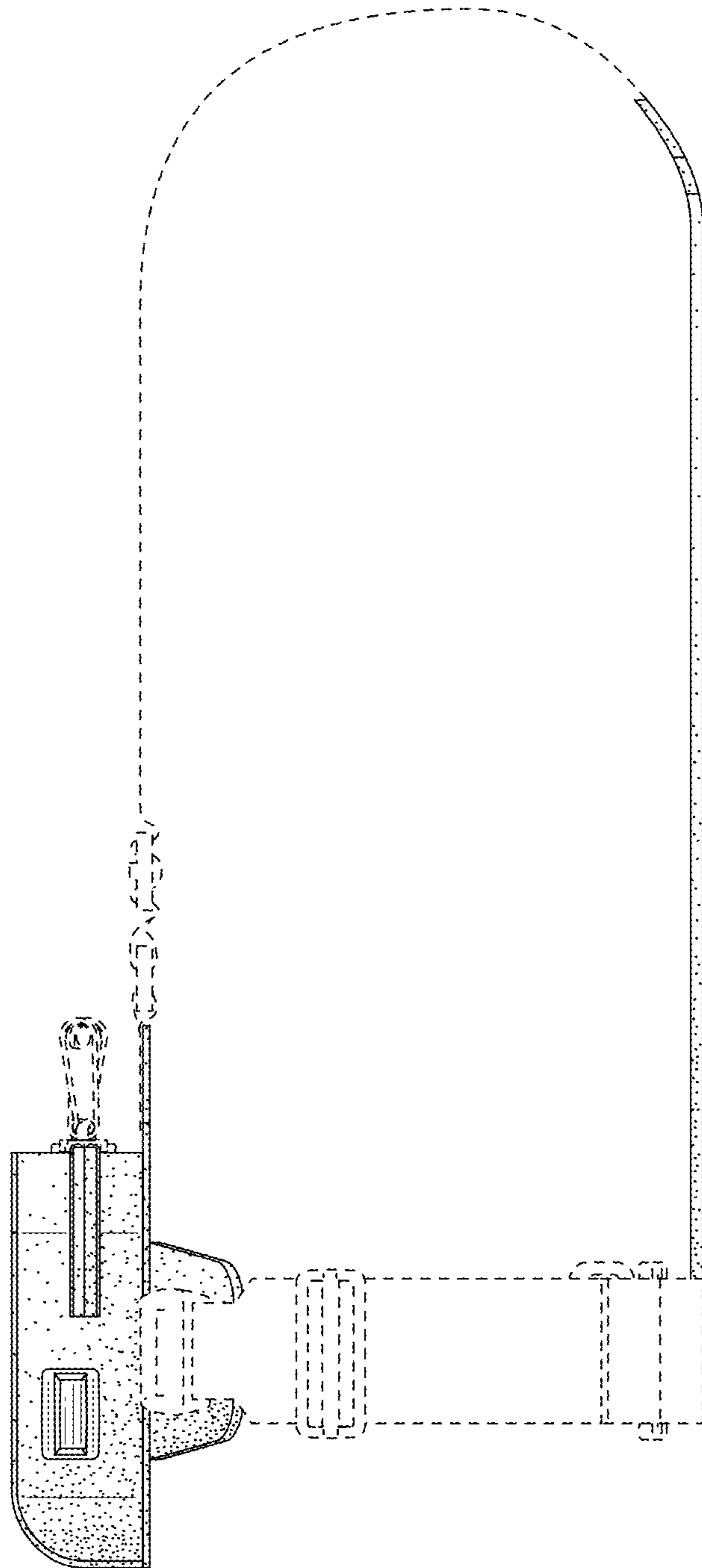


FIG. 5

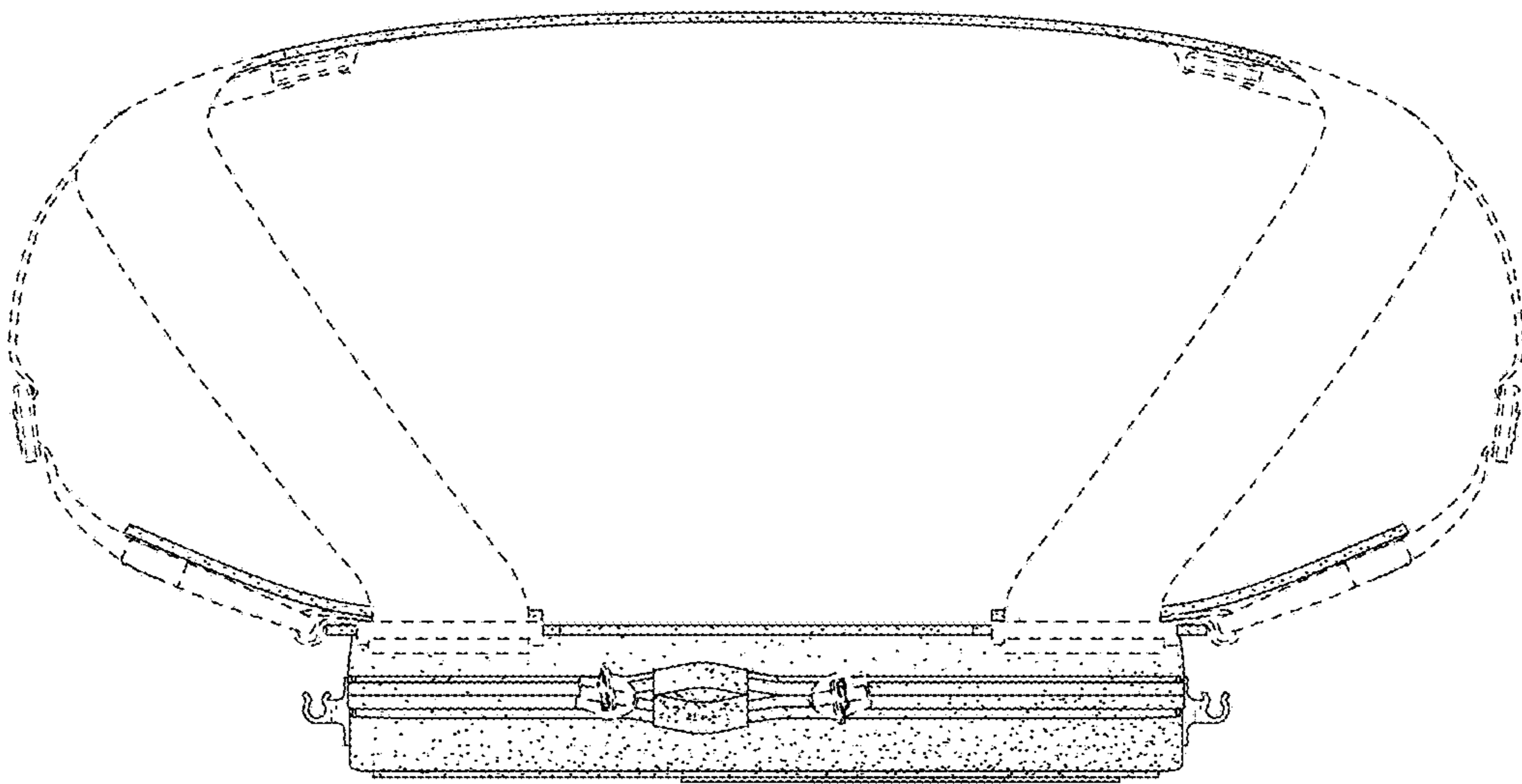


FIG. 6

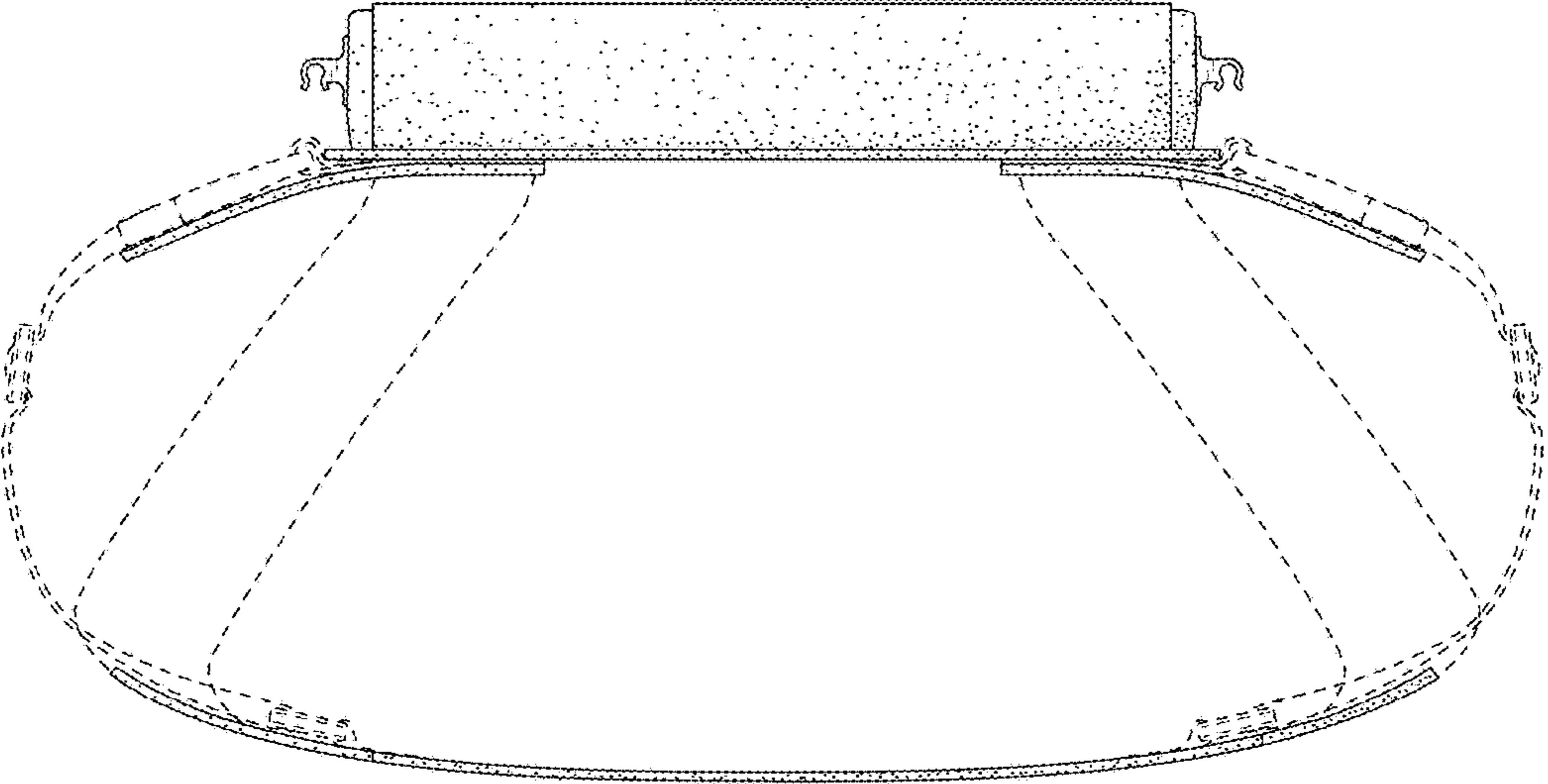


FIG. 7

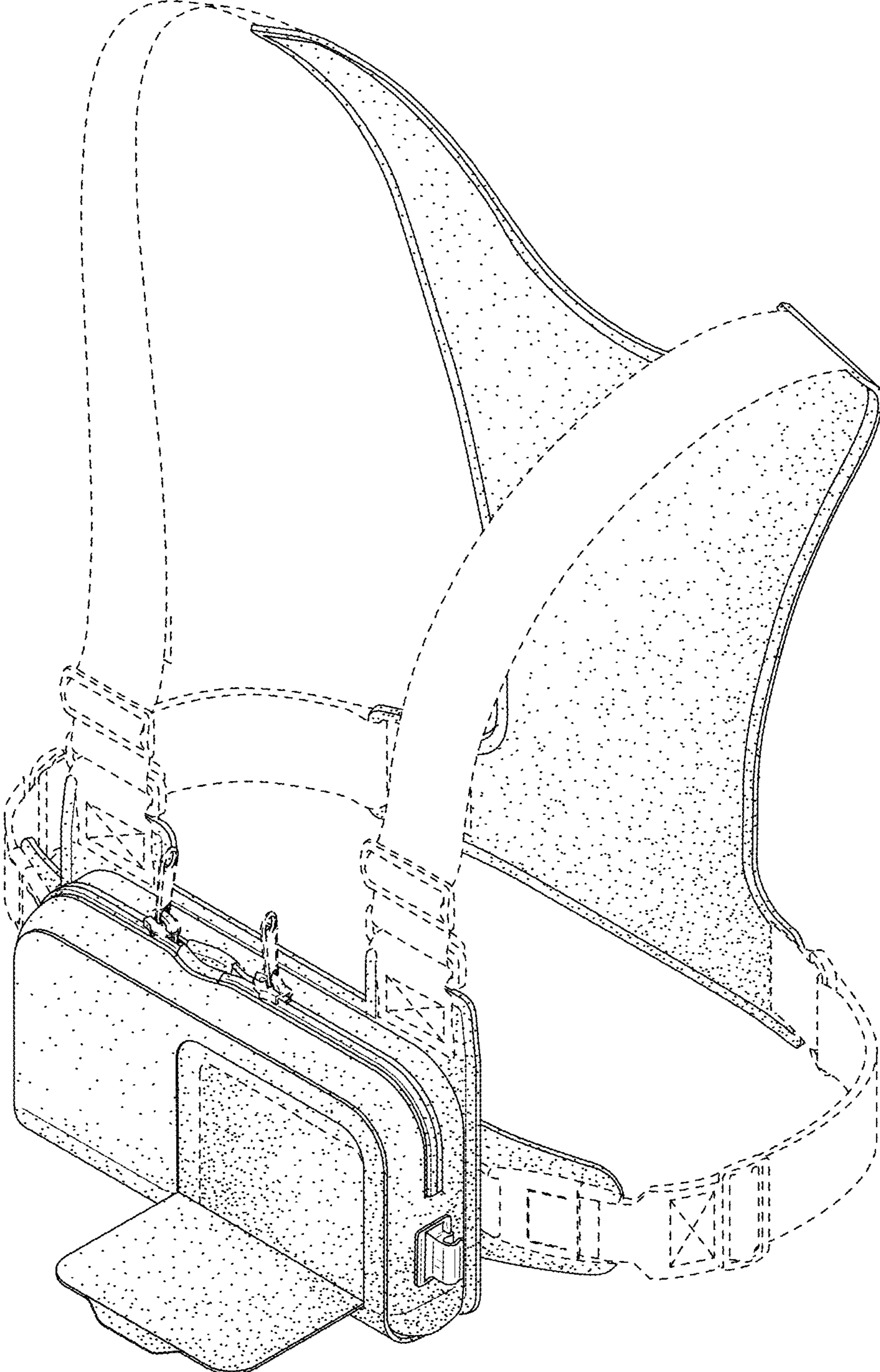


FIG. 8