



US00D776421S

(12) **United States Design Patent**  
**Venturini**

(10) **Patent No.:** **US D776,421 S**  
(45) **Date of Patent:** **\*\* Jan. 17, 2017**

(54) **IN-FOOTWEAR LACE TIGHTENING REEL**  
(71) Applicant: **Boa Technology Inc.**, Denver, CO (US)  
(72) Inventor: **Aaron Venturini**, Denver, CO (US)  
(73) Assignee: **Boa Technology, Inc.**, Denver, CO (US)  
(\*\*) Term: **14 Years**

908,704 A 1/1909 Sprinkle  
1,060,422 A 4/1913 Bowdish  
1,062,511 A 5/1913 Short  
(Continued)

**FOREIGN PATENT DOCUMENTS**

AT 127075 2/1932  
AT 244804 1/1966  
(Continued)

**OTHER PUBLICATIONS**

ASOLO® Boot Brochure Catalog upon information and belief date is as early as Aug. 22, 1997.

*Primary Examiner* — Elizabeth J Oswecki  
(74) *Attorney, Agent, or Firm* — Kilpatrick Townsend & Stockton LLP

(21) Appl. No.: **29/514,848**  
(22) Filed: **Jan. 16, 2015**  
(51) **LOC (10) Cl.** ..... **02-99**  
(52) **U.S. Cl.**  
USPC ..... **D2/978**  
(58) **Field of Classification Search**  
USPC ..... D2/978, 943, 944, 946, 976; 36/83, 45, 36/46.5, 47, 48, 50.1, 52, 114, 136; D9/504, D9/529  
CPC ..... A43C 1/00; A43C 1/003; A43C 1/006; A43C 1/02; A43C 1/04; A43C 1/06; A43C 3/00; A43C 3/02; A43C 3/04; A43C 7/00; A43C 7/005; A43C 7/02; A43C 7/04; A43C 7/06; A43C 7/08; A43C 11/00; A43C 11/004; A43C 11/02; A43C 11/04; A43C 11/06; A43C 11/08; A43C 11/20; A43C 11/22; A43C 11/24  
See application file for complete search history.

(57) **CLAIM**

The ornamental design for an in-footwear lace tightening reel, as shown and described.

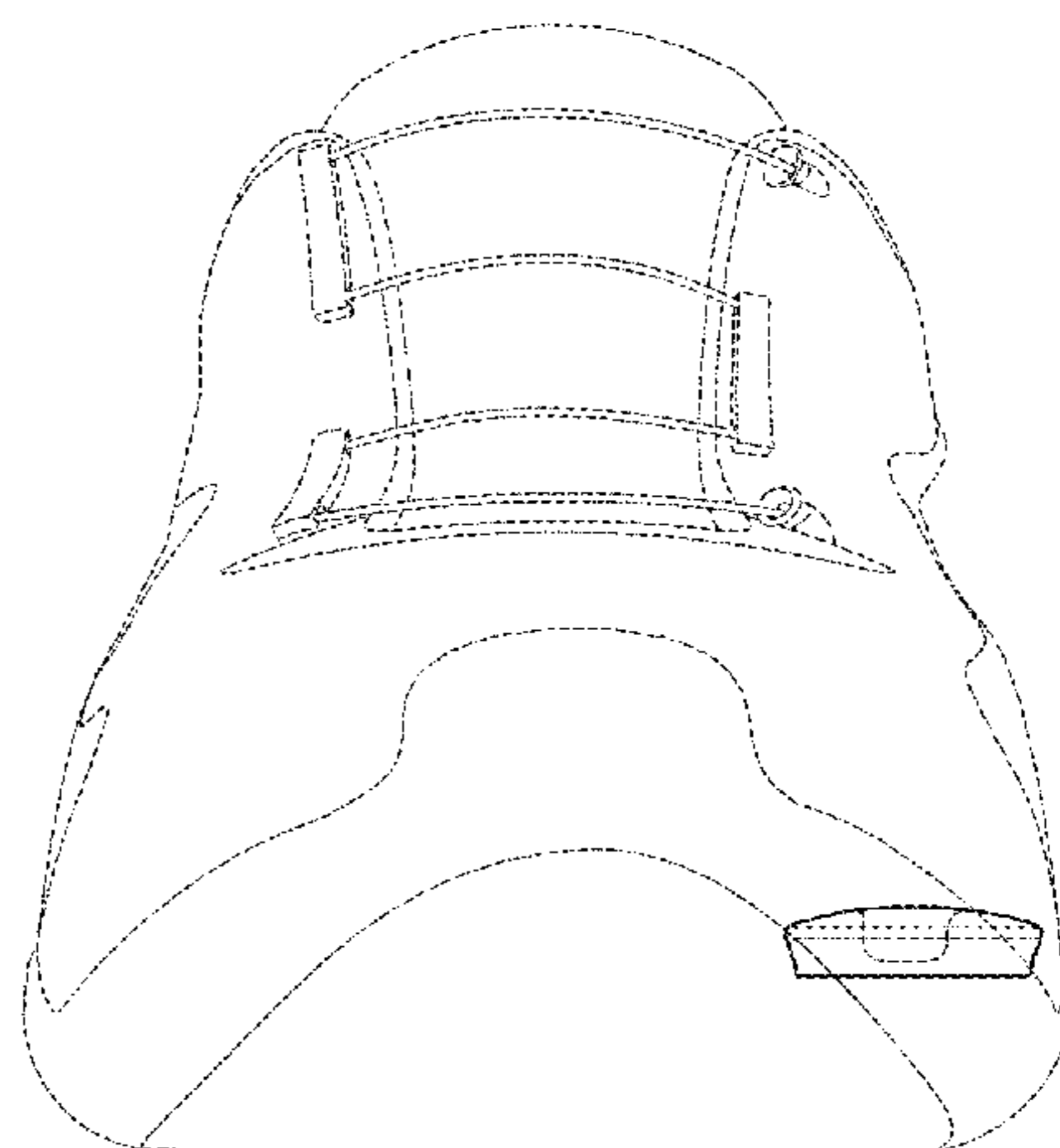
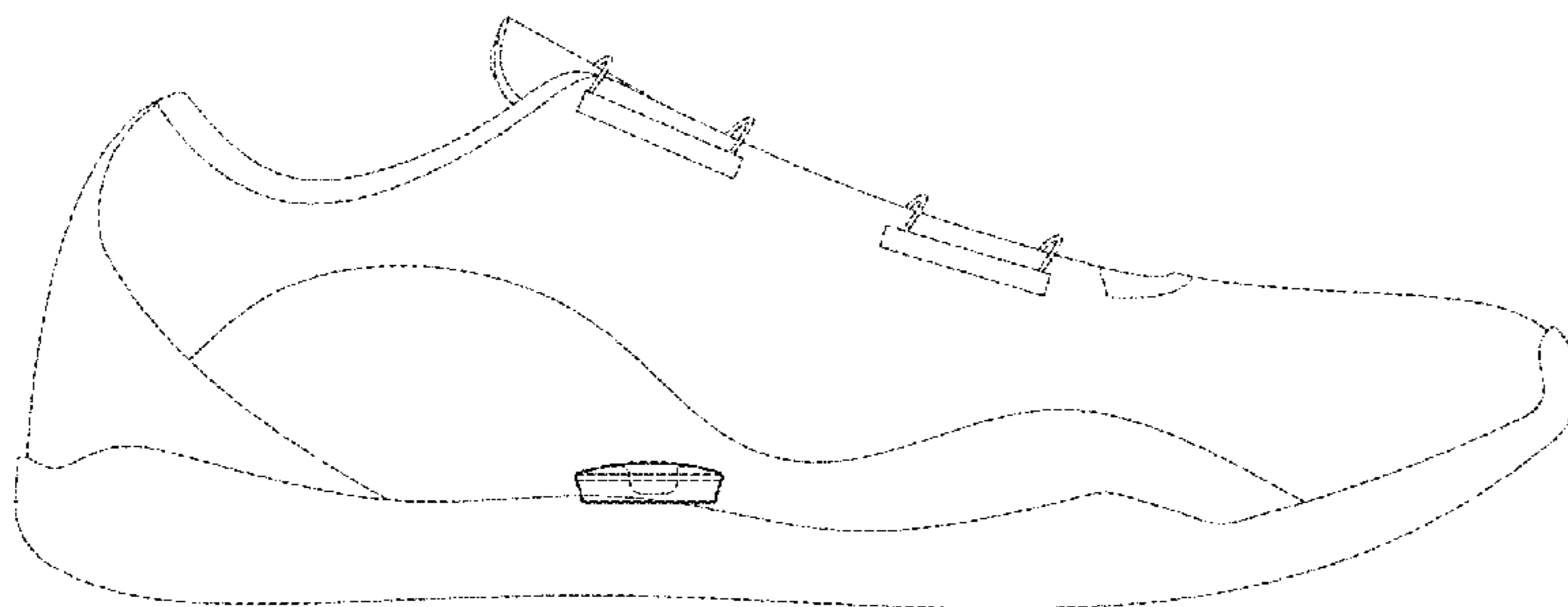
**DESCRIPTION**

FIG. 1 is a left side view of a first embodiment of an in-footwear lace tightening reel showing my new design; FIG. 2 is a front view thereof; FIG. 3 is a top view thereof; FIG. 4 is a right side view thereof; FIG. 5 is a rear view thereof; FIG. 6 is a bottom view thereof; FIG. 7 is a left side view of a second embodiment of an in-footwear lace tightening reel showing my new design; FIG. 8 is a front view thereof; FIG. 9 is a top view thereof; FIG. 10 is a right side view thereof; FIG. 11 is a rear view thereof; and, FIG. 12 is a bottom view thereof.

The broken lines shown in the drawings represent portions of the in-footwear lace tightening reel that form no part of the claimed design.

**1 Claim, 12 Drawing Sheets**

(56) **References Cited**  
**U.S. PATENT DOCUMENTS**  
59,332 A 10/1866 White et al.  
80,834 A 8/1868 Prussia  
117,530 A 8/1871 Foote  
228,946 A 6/1880 Schulz  
230,759 A 8/1880 Drummond  
746,563 A 12/1903 McMahon  
819,993 A 5/1906 Haws et al.



(56)

References Cited

U.S. PATENT DOCUMENTS

1,083,775 A	1/1914	Thomas	4,719,670 A	1/1988	Kurt
1,090,438 A	3/1914	Worth et al.	4,719,709 A	1/1988	Vaccari
1,170,472 A	2/1916	Barber	4,719,710 A	1/1988	Pozzobon
1,288,859 A	12/1918	Feller et al.	4,722,477 A	2/1988	Floyd
1,390,991 A	9/1921	Fotchuk	4,741,115 A	5/1988	Pozzobon
1,393,188 A	10/1921	Whiteman	4,748,726 A	6/1988	Schoch
1,469,661 A	2/1922	Migita	4,760,653 A	8/1988	Baggio
1,412,486 A	4/1922	Paine	4,780,969 A	11/1988	White, Jr.
1,416,203 A	5/1922	Hobson	4,787,124 A	11/1988	Pozzobon et al.
1,429,657 A	9/1922	Trawinski	4,790,081 A	12/1988	Benoit et al.
1,481,903 A	4/1923	Hart	4,796,829 A	1/1989	Pozzobon et al.
1,466,673 A	9/1923	Solomon et al.	4,799,297 A	1/1989	Baggio et al.
1,530,713 A	2/1924	Clark	4,802,291 A	2/1989	Sartor
1,502,919 A	7/1924	Seib	4,811,503 A	3/1989	Iwama
1,862,047 A	6/1932	Boulet et al.	4,826,098 A	5/1989	Pozzobon et al.
1,995,243 A	6/1934	Clarke	4,841,649 A	6/1989	Baggio et al.
2,088,851 A	8/1937	Gantenbein	4,856,207 A	8/1989	Datson
2,109,751 A	3/1938	Matthias et al.	4,870,723 A	10/1989	Pozzobon et al.
2,124,310 A	9/1938	Murr, Jr.	4,870,761 A	10/1989	Tracy
2,316,102 A	4/1943	Preston	4,884,760 A	12/1989	Baggio et al.
2,539,026 A	1/1951	Mangold	4,901,938 A *	2/1990	Cantley ..... B65H 75/44 242/378.1
2,611,940 A	9/1952	Cairns	4,924,605 A	5/1990	Spademan
2,673,381 A	3/1954	Dueker	D308,282 S *	6/1990	Bergman ..... D2/978
2,907,086 A	10/1959	Ord	4,937,953 A	7/1990	Walkhoff
2,991,523 A	7/1961	Del Conte	4,961,544 A	10/1990	Biodia
3,035,319 A	5/1962	Wolff	4,989,805 A *	2/1991	Burke ..... B65H 75/44 242/378.2
3,112,545 A	12/1963	Williams	5,001,817 A	3/1991	De Bortoli et al.
3,163,900 A	1/1965	Martin	5,016,327 A	5/1991	Klausner
D200,394 S *	2/1965	Hakim ..... D2/978	5,042,177 A	8/1991	Schoch
3,169,325 A	2/1965	Fesl	5,062,225 A	11/1991	Gorza
3,193,950 A	7/1965	Liou	5,065,480 A	11/1991	DeBortoli
3,197,155 A	7/1965	Chow	5,065,481 A	11/1991	Walkhoff
3,221,384 A	12/1965	Aufenacker	5,117,567 A	6/1992	Berger
3,276,090 A	10/1966	Nigon	5,152,038 A	10/1992	Schoch
D206,146 S *	11/1966	Hendershot ..... 24/712.2	5,157,813 A	10/1992	Carroll
D210,649 S *	4/1968	Getgey ..... D2/978	5,158,428 A	10/1992	Gessner et al.
3,401,437 A	9/1968	Christophersen	5,177,882 A	1/1993	Berger
3,430,303 A	3/1969	Perrin et al.	5,181,331 A	1/1993	Berger
3,491,465 A	1/1970	Martin	5,184,378 A	2/1993	Batra
3,545,106 A	12/1970	Martin	D333,552 S	3/1993	Berger et al.
3,618,232 A	11/1971	Shnuriwsky	5,249,377 A	10/1993	Walkhoff
3,668,791 A	6/1972	Salzman et al.	5,259,094 A	11/1993	Zepeda
3,678,539 A	7/1972	Graup	5,315,741 A	5/1994	Debberke
3,703,775 A	11/1972	Gatti	5,319,868 A	6/1994	Hallenbeck
3,729,779 A	5/1973	Porth	5,319,869 A	6/1994	McDonald et al.
3,738,027 A	6/1973	Schoch	5,325,613 A	7/1994	Sussmann
3,793,749 A	2/1974	Gertsch et al.	5,327,662 A	7/1994	Hallenbeck
3,808,644 A	5/1974	Schoch	5,335,401 A	8/1994	Hanson
3,934,346 A	1/1976	Sasaki et al.	5,341,583 A	8/1994	Hallenbeck
3,975,838 A	8/1976	Martin	5,345,697 A	9/1994	Quellais
4,130,949 A	12/1978	Seidel	5,355,596 A	10/1994	Sussmann
4,142,307 A	3/1979	Martin	5,357,654 A	10/1994	Hsing-Chi
4,227,322 A	10/1980	Annovi	5,371,957 A	12/1994	Gaudio
4,261,081 A	4/1981	Lott	5,381,609 A	1/1995	Hieblinger
4,267,622 A	5/1981	Burnett-Johnston	5,392,535 A	2/1995	Van Noy et al.
4,408,403 A	10/1983	Martin	D357,576 S *	4/1995	Steinweis ..... D11/227
4,417,703 A *	11/1983	Weinhold ..... B65H 75/4431 242/378.1	5,425,161 A	6/1995	Schoch
4,433,456 A	2/1984	Baggio	5,425,185 A	6/1995	Gansler
4,463,761 A	8/1984	Pols et al.	5,430,960 A	7/1995	Richardson
4,480,395 A	11/1984	Schoch	5,433,648 A	7/1995	Frydman
4,507,878 A	4/1985	Semouha	5,463,822 A	11/1995	Miller
4,551,932 A	11/1985	Schoch	5,477,593 A	12/1995	Leick
4,555,830 A	12/1985	Petrini et al.	D367,755 S *	3/1996	Jones ..... D2/978
4,574,500 A	3/1986	Aldinio et al.	5,502,902 A	4/1996	Sussmann
4,616,524 A	10/1986	Biodia	5,511,325 A	4/1996	Hieblinger
4,619,057 A	10/1986	Sartor et al.	5,535,531 A	7/1996	Karabed et al.
4,620,378 A	11/1986	Sartor	5,537,763 A	7/1996	Donnadieu et al.
4,631,839 A	12/1986	Bonetti et al.	5,557,864 A	9/1996	Marks
4,631,840 A	12/1986	Gamm	5,566,474 A	10/1996	Leick et al.
4,633,599 A	1/1987	Morell et al.	D375,831 S *	11/1996	Perry ..... D2/946
4,654,985 A	4/1987	Chalmers	5,596,820 A	1/1997	Edauw et al.
4,660,300 A	4/1987	Morell et al.	5,599,000 A	2/1997	Bennett
4,660,302 A	4/1987	Arieh et al.	5,599,288 A	2/1997	Shirley et al.
4,680,878 A	7/1987	Pozzobon et al.	5,600,874 A	2/1997	Jungkind
			5,606,778 A	3/1997	Jungkind
			D379,113 S	5/1997	McDonald et al.
			5,638,588 A	6/1997	Jungkind

(56)

References Cited

U.S. PATENT DOCUMENTS

5,640,785 A	6/1997	Egelja	7,281,341 B2	10/2007	Reagan et al.
5,647,104 A	7/1997	James	7,293,373 B2	11/2007	Reagan et al.
5,651,198 A	7/1997	Sussmann	7,331,126 B2	2/2008	Johnson
5,669,116 A	9/1997	Jungkind	7,343,701 B2	3/2008	Pare et al.
5,692,319 A	12/1997	Parker et al.	7,367,522 B2	5/2008	Chen
5,718,021 A	2/1998	Tatum	7,386,947 B2	6/2008	Martin et al.
5,718,065 A	2/1998	Locker	7,392,602 B2	7/2008	Reagan et al.
5,720,084 A	2/1998	Chen	7,401,423 B2	7/2008	Reagan et al.
5,732,483 A	3/1998	Cagliari	7,490,458 B2	2/2009	Ford
5,736,696 A	4/1998	Del Rosso	7,568,298 B2	8/2009	Kerns
5,737,854 A	4/1998	Sussmann	7,584,528 B2	9/2009	Hu
5,755,044 A	5/1998	Veylupek	7,591,050 B2	9/2009	Hammerslag
5,756,298 A	5/1998	Burczak	7,597,675 B2	10/2009	Ingimundarson et al.
5,761,777 A	6/1998	Leick	7,600,660 B2	10/2009	Kasper et al.
5,772,146 A	6/1998	Kawamoto et al.	7,617,573 B2	11/2009	Chen
5,784,809 A	7/1998	McDonald	7,624,517 B2	12/2009	Smith
5,791,068 A	8/1998	Bernier et al.	7,648,404 B1	1/2010	Martin
5,819,378 A	10/1998	Doyle	7,650,705 B2	1/2010	Donnadieu et al.
5,845,371 A	12/1998	Chen	7,694,354 B2	4/2010	Philpott et al.
5,909,946 A	6/1999	Okajima	7,757,412 B2	7/2010	Farys
D413,197 S *	8/1999	Faye ..... D2/978	7,774,956 B2	8/2010	Dua et al.
5,934,599 A	8/1999	Hammerslag	D626,322 S *	11/2010	Servettaz ..... D2/978
5,937,542 A	8/1999	Bourdeau	7,841,106 B2	11/2010	Farys
5,956,823 A	9/1999	Borel	7,871,334 B2	1/2011	Young et al.
6,015,110 A *	1/2000	Lai ..... B65H 75/28 242/388.1	7,877,845 B2	2/2011	Signori
6,052,921 A	4/2000	Oreck	7,908,769 B2	3/2011	Pellegrini
6,070,886 A	6/2000	Cornelius et al.	7,950,112 B2	5/2011	Hammerslag et al.
6,083,857 A	7/2000	Bottger	7,954,204 B2	6/2011	Hammerslag et al.
6,088,936 A	7/2000	Bahl	7,963,049 B2	6/2011	Messmer
6,102,412 A	8/2000	Staffaroni	7,992,261 B2	8/2011	Hammerslag et al.
D430,724 S	9/2000	Matis et al.	D646,790 S	10/2011	Castillo et al.
6,119,372 A	9/2000	Okajima	8,056,150 B2	11/2011	Stokes et al.
6,148,489 A	11/2000	Dickie et al.	8,074,379 B2	12/2011	Robinson, Jr. et al.
6,202,953 B1	3/2001	Hammerslag	8,091,182 B2	1/2012	Hammerslag et al.
6,240,657 B1	6/2001	Weber et al.	8,109,015 B2	2/2012	Signori
6,267,390 B1	7/2001	Maravetz et al.	D663,850 S	7/2012	Joseph
6,286,233 B1	9/2001	Gaither	D663,851 S	7/2012	Joseph
6,289,558 B1	9/2001	Hammerslag	8,215,033 B2	7/2012	Carboy et al.
6,311,633 B1	11/2001	Keire	8,231,074 B2	7/2012	Hu et al.
D456,130 S *	4/2002	Towns ..... D2/978	D665,088 S	8/2012	Joseph
6,370,743 B2 *	4/2002	Choe ..... 24/712	8,235,321 B2	8/2012	Chen
6,401,364 B1	6/2002	Burt	8,245,371 B2	8/2012	Chen
6,416,074 B1	7/2002	Maravetz et al.	8,266,827 B2	9/2012	Dojan et al.
6,467,195 B2	10/2002	Pierre et al.	8,277,401 B2	10/2012	Hammerslag et al.
6,477,793 B1	11/2002	Pruitt et al.	8,302,329 B2	11/2012	Hurd et al.
6,543,159 B1	4/2003	Carpenter et al.	8,303,527 B2	11/2012	Joseph
6,568,103 B2	5/2003	Durocher	8,308,098 B2	11/2012	Chen
6,606,804 B2	8/2003	Kaneko et al.	8,353,087 B2	1/2013	Chen
6,694,643 B1	2/2004	Hsu	8,353,088 B2 *	1/2013	Ha ..... A43B 3/0042 24/712.5
6,708,376 B1	3/2004	Landry	D677,045 S *	3/2013	Voskuil ..... D2/946
6,711,787 B2	3/2004	Jungkind et al.	8,434,200 B2	5/2013	Chen
6,735,829 B2	5/2004	Hsu	8,713,820 B2	5/2014	Kerns et al.
6,757,991 B2	7/2004	Sussmann	8,984,719 B2 *	3/2015	Soderberg ..... A43B 3/0042 24/68 B
6,775,928 B2	8/2004	Grande et al.	2002/0050076 A1	5/2002	Borsoi et al.
6,792,702 B2	9/2004	Borsoi et al.	2002/0062579 A1	5/2002	Caeran
6,802,439 B2	10/2004	Azam et al.	2002/0129518 A1	9/2002	Borsoi et al.
6,823,610 B1	11/2004	Ashley	2002/0148142 A1	10/2002	Oorei et al.
6,871,812 B1 *	3/2005	Chang ..... B65H 75/4434 191/12.4	2002/0166260 A1	11/2002	Borsoi
6,877,256 B2	4/2005	Martin et al.	2002/0178548 A1	12/2002	Freed
6,922,917 B2	8/2005	Kerns et al.	2003/0079376 A1	5/2003	Oorei et al.
6,938,913 B2	9/2005	Elkington	2003/0177662 A1	9/2003	Elkington et al.
6,945,543 B2	9/2005	De Bertoli et al.	2003/0204938 A1	11/2003	Hammerslag
D510,183 S *	10/2005	Tresser ..... D2/946	2005/0054962 A1	3/2005	Bradshaw
6,976,972 B2	12/2005	Bradshaw	2005/0060912 A1	3/2005	Holzer et al.
6,993,859 B2	2/2006	Martin et al.	2005/0081403 A1	4/2005	Mathieu
D521,226 S	5/2006	Douglas et al.	2005/0087115 A1	4/2005	Martin
7,073,279 B2 *	7/2006	Min ..... A43C 1/003 24/712	2005/0098673 A1	5/2005	Huang
7,076,843 B2	7/2006	Sakabayashi	2005/0102861 A1	5/2005	Martin
7,082,701 B2	8/2006	Dalgaard et al.	2005/0126043 A1	6/2005	Reagan et al.
7,096,559 B2	8/2006	Johnson et al.	2005/0198866 A1	9/2005	Wiper et al.
7,134,224 B2	11/2006	Elkington et al.	2006/0156517 A1	7/2006	Hammerslag et al.
7,266,911 B2	9/2007	Holzer et al.	2006/0179685 A1	8/2006	Borel et al.
			2006/0185193 A1	8/2006	Pellegrini
			2007/0063459 A1	3/2007	Kavarsky
			2007/0068040 A1	3/2007	Farys
			2007/0084956 A1	4/2007	Chen
			2007/0113524 A1	5/2007	Lander

(56)

References Cited

U.S. PATENT DOCUMENTS

2007/0128959 A1 6/2007 Cooke  
 2007/0169378 A1 7/2007 Sodeberg et al.  
 2008/0016717 A1 1/2008 Ruban  
 2008/0060167 A1 3/2008 Hammerslag et al.  
 2008/0060168 A1 3/2008 Hammerslag et al.  
 2008/0066272 A1 3/2008 Hammerslag et al.  
 2008/0066345 A1 3/2008 Hammerslag et al.  
 2008/0066346 A1 3/2008 Hammerslag et al.  
 2008/0083135 A1 4/2008 Hammerslag et al.  
 2008/0172848 A1 7/2008 Chen  
 2009/0071041 A1 3/2009 Hooper  
 2009/0090029 A1 4/2009 Kishino  
 2009/0172928 A1 7/2009 Messmer et al.  
 2009/0184189 A1 7/2009 Soderberg et al.  
 2009/0277043 A1 11/2009 Graser et al.  
 2010/0064547 A1 3/2010 Kaplan  
 2010/0101061 A1 4/2010 Ha  
 2010/0154254 A1 6/2010 Fletcher  
 2010/0175163 A1 7/2010 Litke  
 2010/0251524 A1 10/2010 Chen  
 2010/0319216 A1 12/2010 Grenzke et al.  
 2011/0000173 A1 1/2011 Lander  
 2011/0071647 A1 3/2011 Mahon  
 2011/0167543 A1 7/2011 Kovacevich et al.  
 2011/0191992 A1 8/2011 Chen  
 2011/0197362 A1 8/2011 Chella et al.  
 2011/0258876 A1 10/2011 Baker et al.  
 2011/0266384 A1 11/2011 Goodman et al.  
 2012/0000091 A1 1/2012 Cotterman et al.  
 2012/0004587 A1 1/2012 Nickel et al.  
 2012/0005995 A1 1/2012 Emery  
 2012/0023717 A1 2/2012 Chen  
 2012/0101417 A1 4/2012 Joseph  
 2012/0102783 A1 5/2012 Swigart et al.  
 2012/0157902 A1 6/2012 Castillo et al.  
 2012/0228419 A1 9/2012 Chen  
 2012/0246974 A1 10/2012 Hammerslag et al.  
 2013/0012856 A1 1/2013 Hammerslag et al.  
 2013/0014359 A1 1/2013 Chen  
 2013/0025100 A1 1/2013 Ha  
 2013/0091674 A1 4/2013 Chen  
 2013/0092780 A1 4/2013 Soderberg et al.  
 2013/0340283 A1 12/2013 Bell et al.

FOREIGN PATENT DOCUMENTS

AT 361808 4/1981  
 CA 2114387 1/1994  
 CA 2112789 8/1994  
 CH 41765 9/1907  
 CH 111341 11/1925  
 CH 199766 11/1938  
 CH 204 834 A 8/1939  
 CH 523 669 7/1972  
 CH 562 015 5/1975  
 CH 577 282 7/1976  
 CH 612 076 7/1979  
 CH 537 164 7/1981  
 CH 624 001 7/1981  
 CH 471 553 12/1984  
 DE 555211 7/1932  
 DE 641976 2/1937  
 DE 1 661 668 8/1953  
 DE 7043154.8 11/1970

DE 1 785 220 5/1971  
 DE 2 062 795 6/1972  
 DE 23 41 658 3/1974  
 DE 24 14 439 10/1975  
 DE 29 00 077 A1 7/1980  
 DE 2914280 A1 10/1980  
 DE 31 01 952 A1 9/1982  
 DE 36 26 837 2/1988  
 DE 38 13 470 11/1989  
 DE 3822113 C2 1/1990  
 DE 9413147 6/1994  
 DE 43 02 401 A1 8/1994  
 DE 196 24 553 1/1998  
 DE 201 16 755 U1 1/2002  
 EP 0 056 953 81 6/1969  
 EP 0 081 042 81 7/1972  
 EP 0 123 050 2/1984  
 EP 0 201 051 11/1986  
 EP 0 099 504 1/1987  
 EP 0 255 869 7/1987  
 EP 0 155 596 1/1988  
 EP 0 393 380 3/1990  
 EP 0 474 708 9/1993  
 EP 0 679 346 11/1995  
 EP 0 717 942 6/1996  
 EP 0 858 619 8/1996  
 EP 0 858 621 8/1998  
 EP 0 693 260 B1 9/1998  
 EP 0 923 965 6/1999  
 EP 0 937 467 8/1999  
 EP 0 848 917 81 4/2000  
 EP 2359708 8/2011  
 FR 1 349 832 3/1963  
 FR 1 404 799 7/1964  
 FR 2 108 428 9/1971  
 FR 2 175 684 3/1972  
 FR 2.108.429 5/1972  
 FR 2 565 795 6/1984  
 FR 2 598 292 A1 11/1987  
 FR 2 726 440 A1 5/1996  
 FR 2 814 919 A1 4/2002  
 JP 49-28618 3/1974  
 JP 51-2776 1/1976  
 JP 51-121375 10/1976  
 JP 51-131978 10/1976  
 JP 53-124987 3/1977  
 JP 54-108125 2/1978  
 JP 62-57346 4/1987  
 JP 63-80736 5/1988  
 JP 7-000208 6/1995  
 JP 3031760 9/1996  
 JP 3030988 11/1996  
 JP 8308608 11/1996  
 JP 10-199366 7/1998  
 JP 2001-197905 7/2001  
 JP 2004-041666 2/2004  
 KR 20-0367882 11/2004  
 KR 10-0953398 4/2010  
 KR 10-1028468 4/2011  
 WO WO 95/11602 5/1995  
 WO WO 98/37782 9/1998  
 WO WO 99/09850 3/1999  
 WO WO 99/15043 4/1999  
 WO WO00/53045 9/2000  
 WO WO 01/08525 2/2001  
 WO WO 02/051511 7/2002  
 WO WO 2004/093569 11/2004

\* cited by examiner

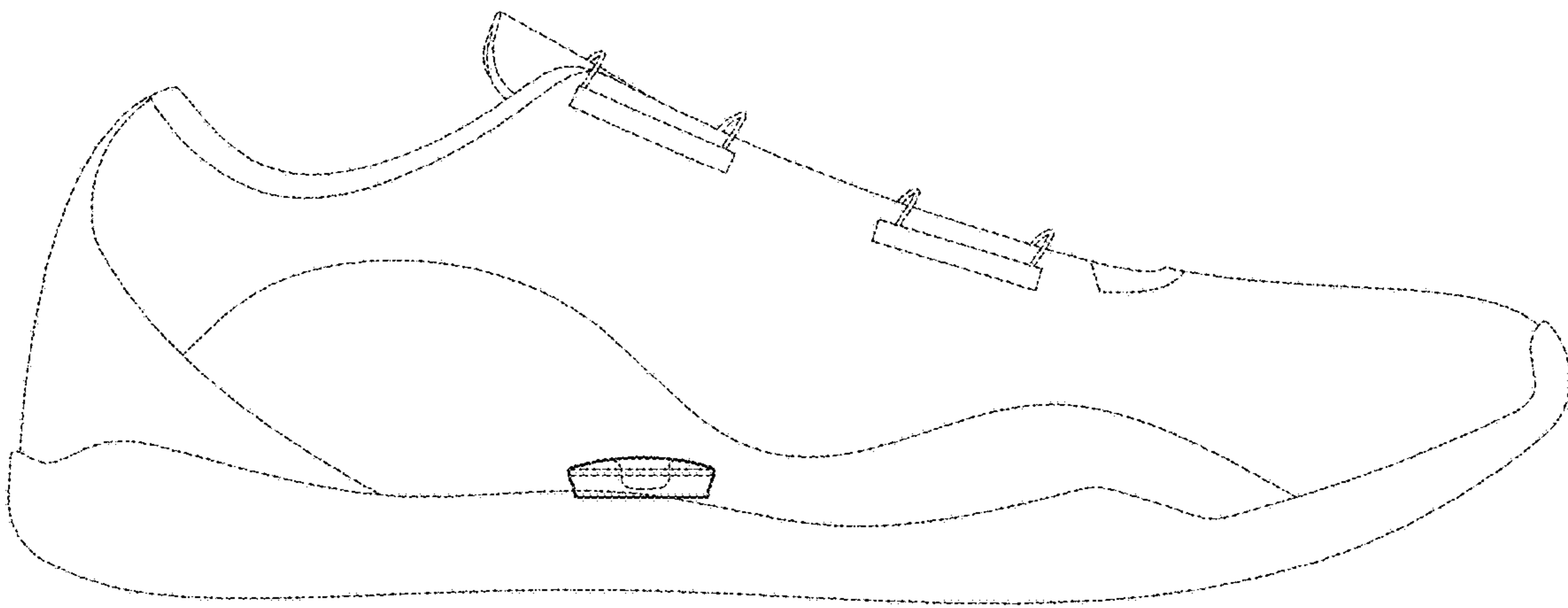


Fig. 1

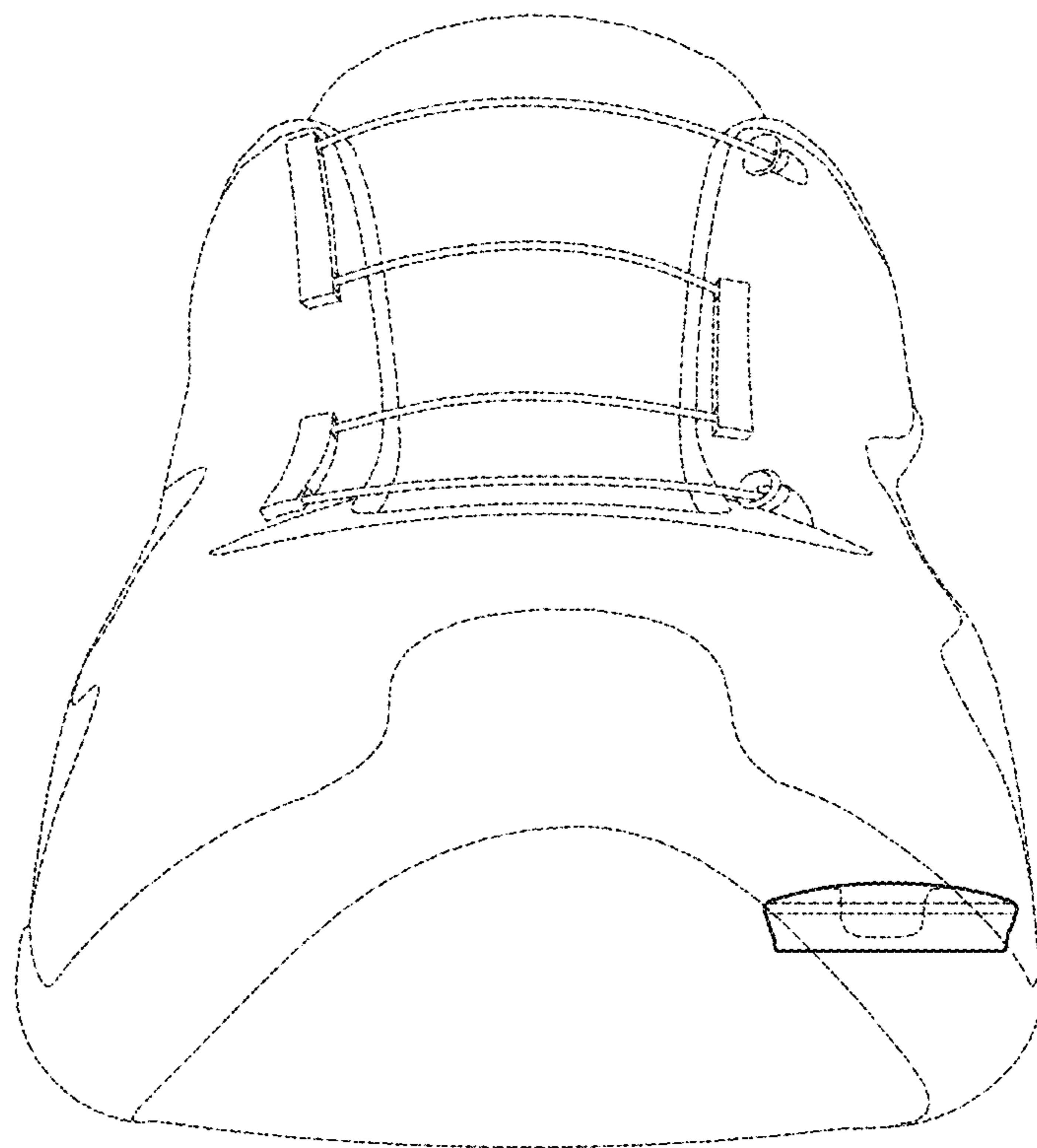


Fig. 2

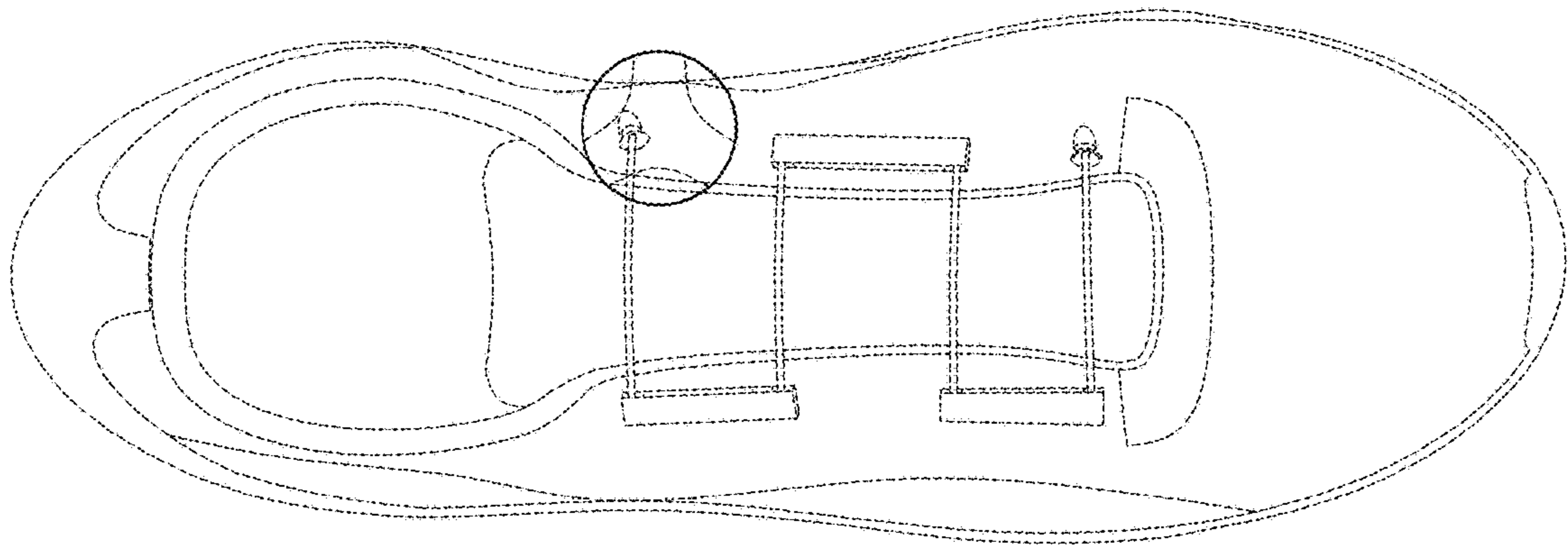


Fig. 3

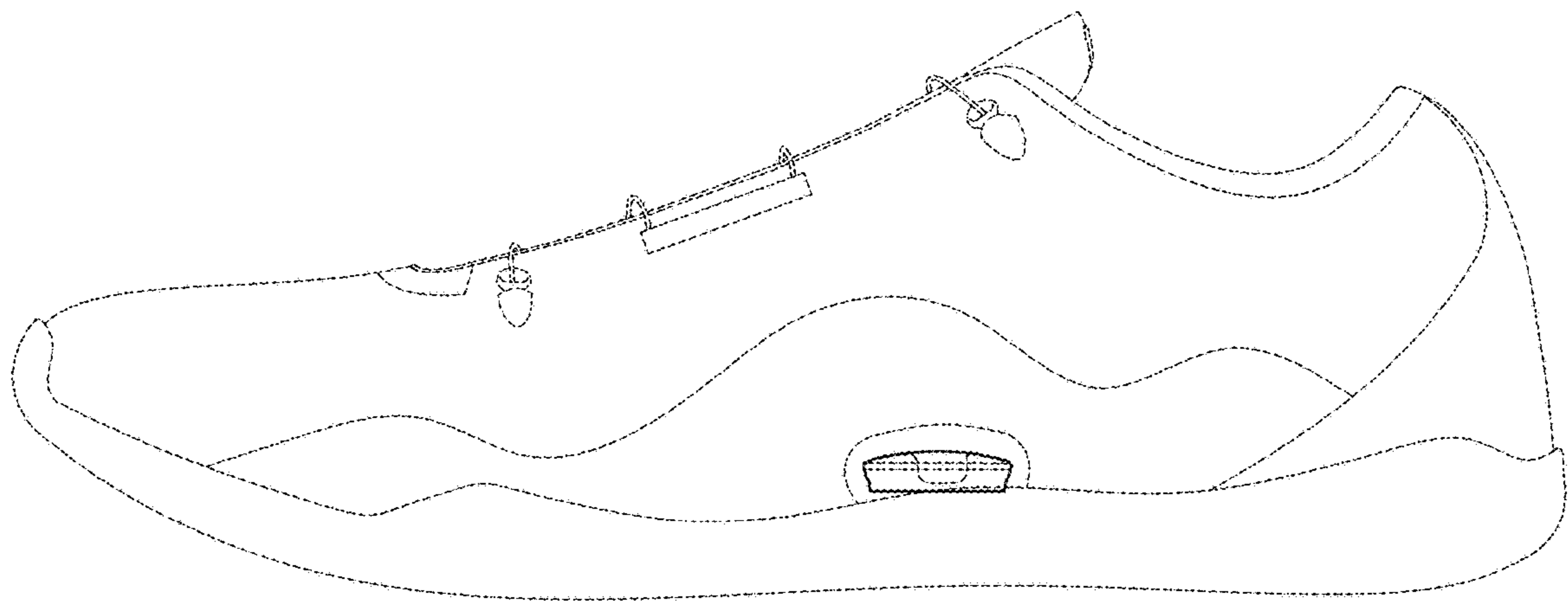


Fig. 4



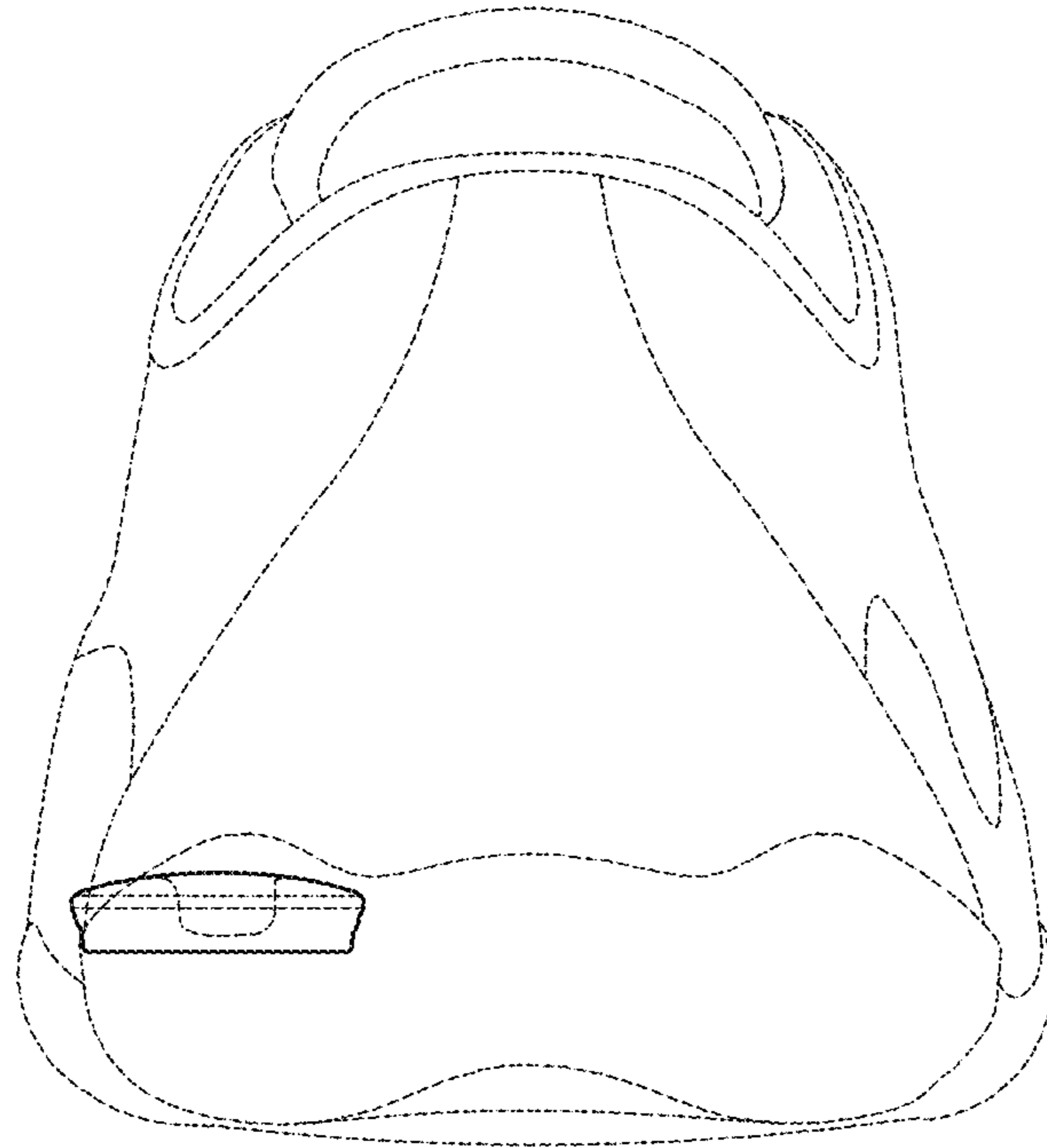


Fig. 5

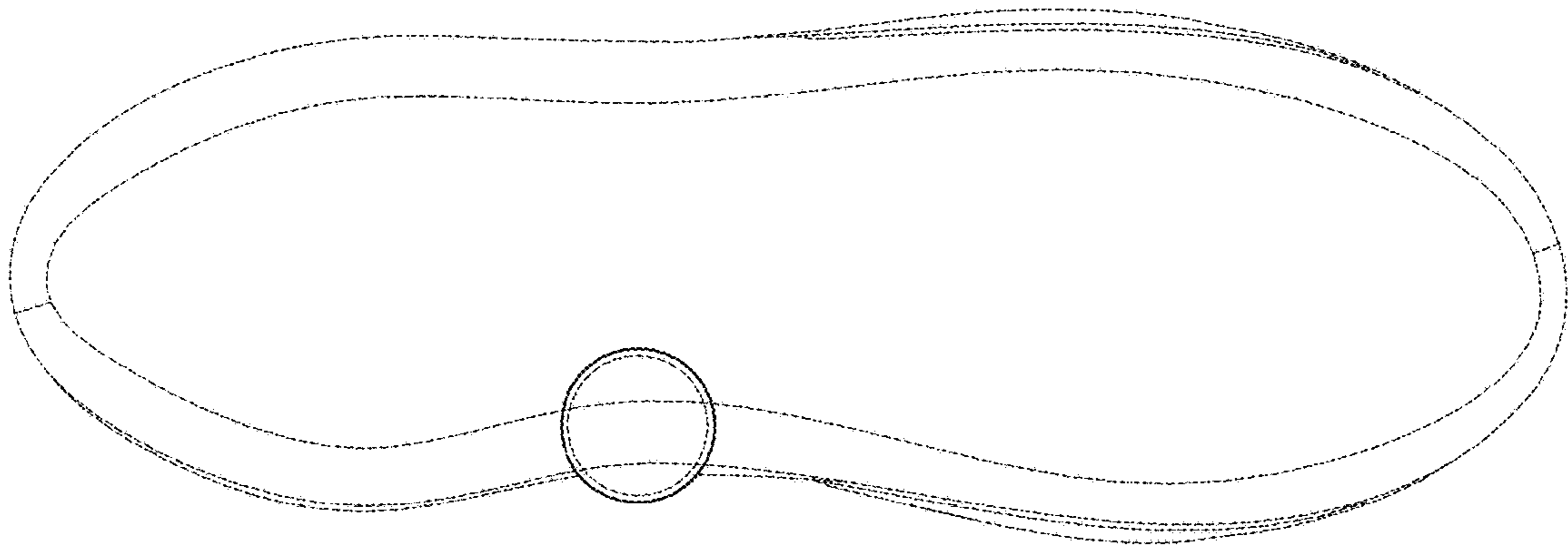


Fig. 6

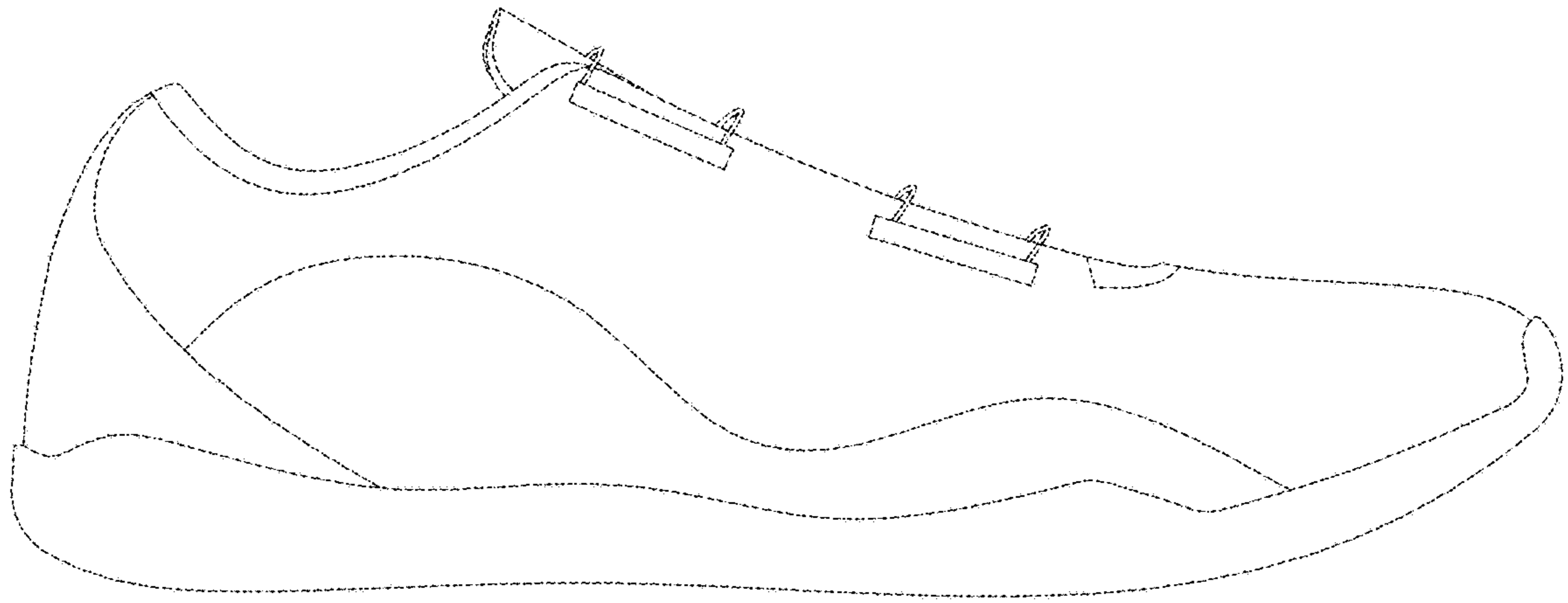


Fig. 7

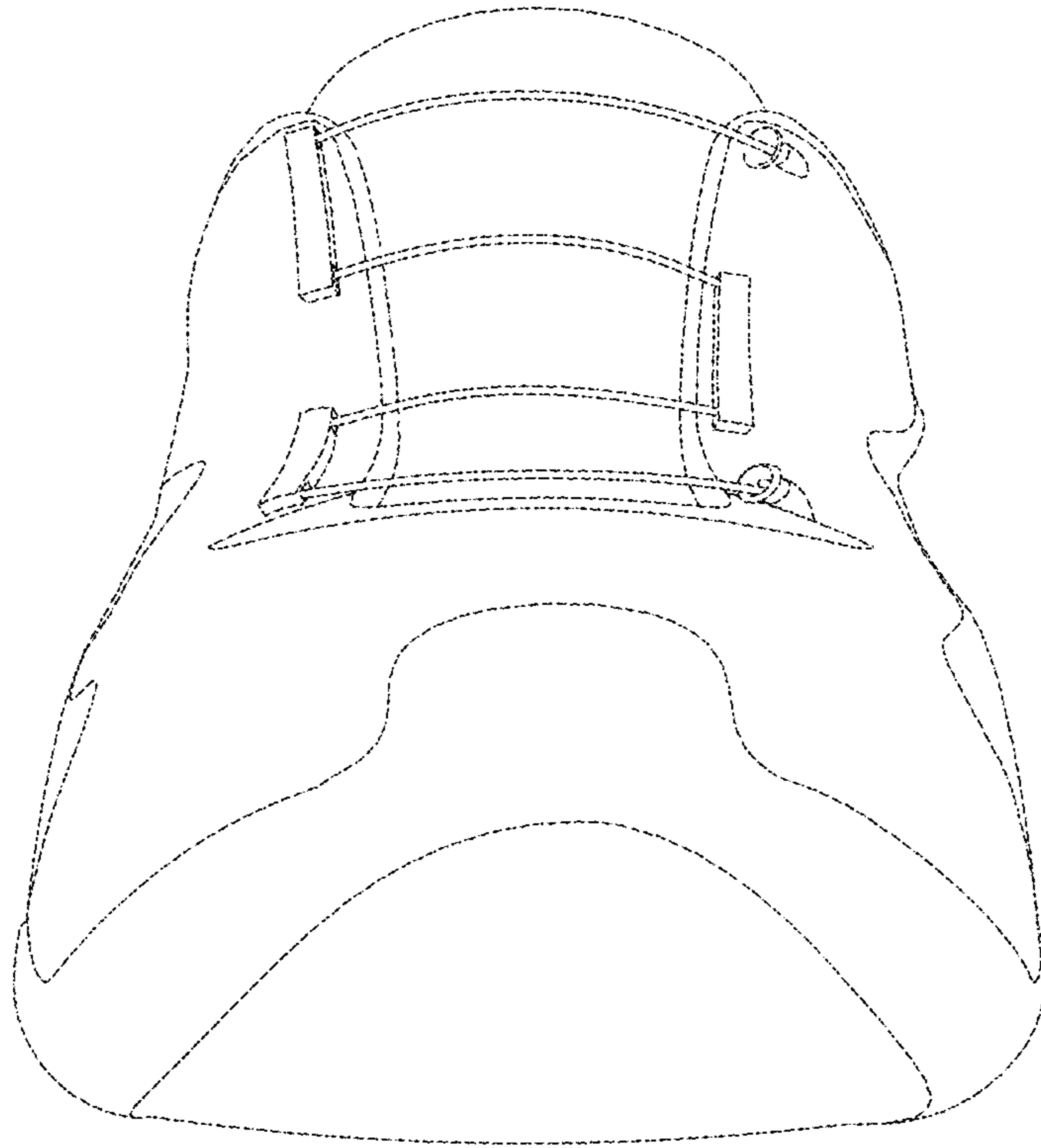


Fig. 8

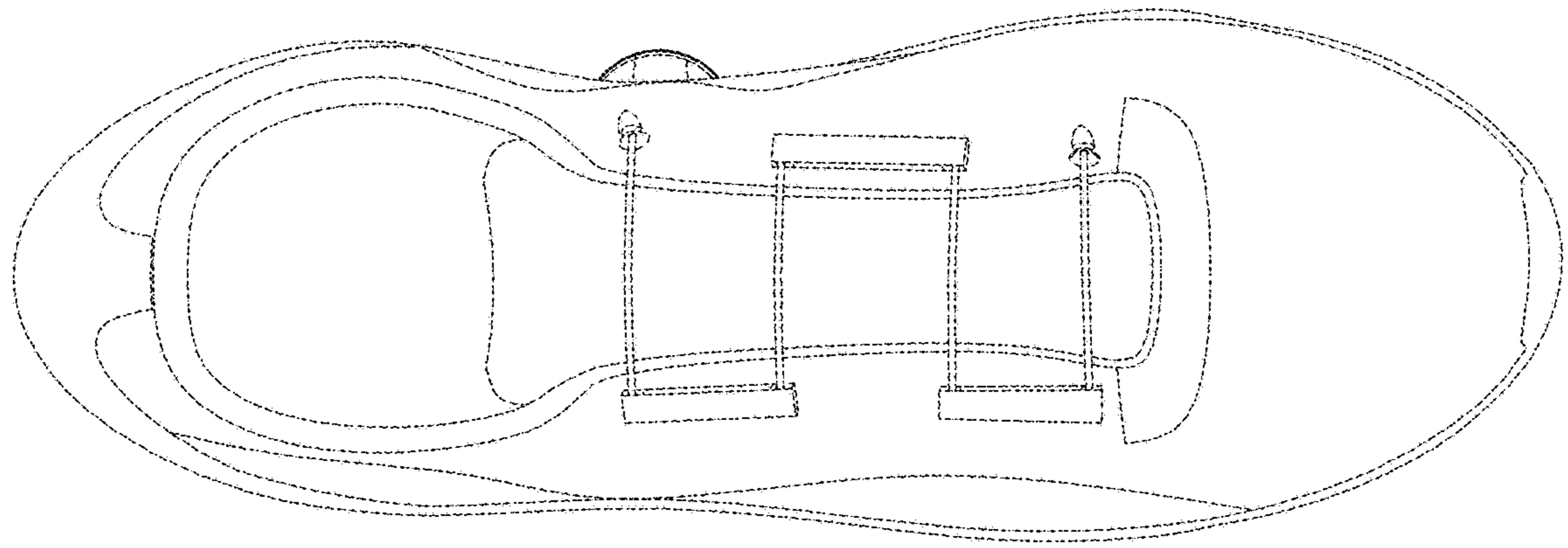


Fig. 9

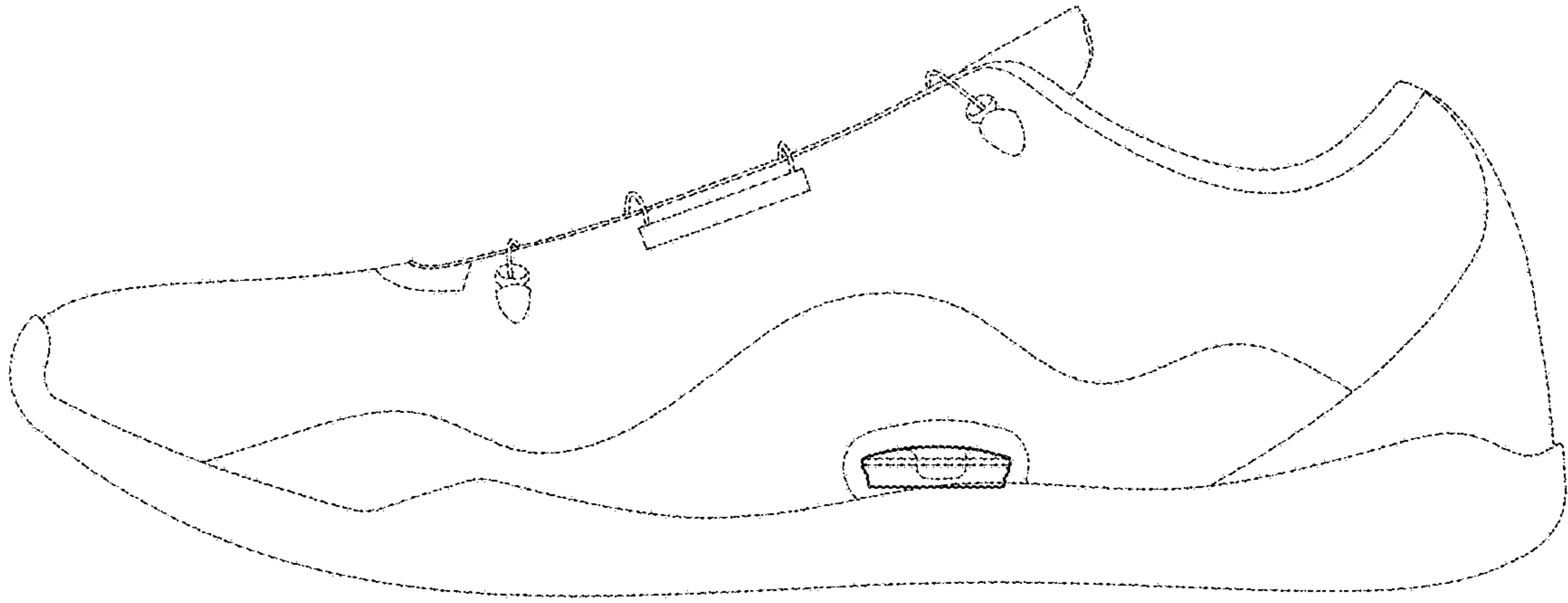


Fig. 10

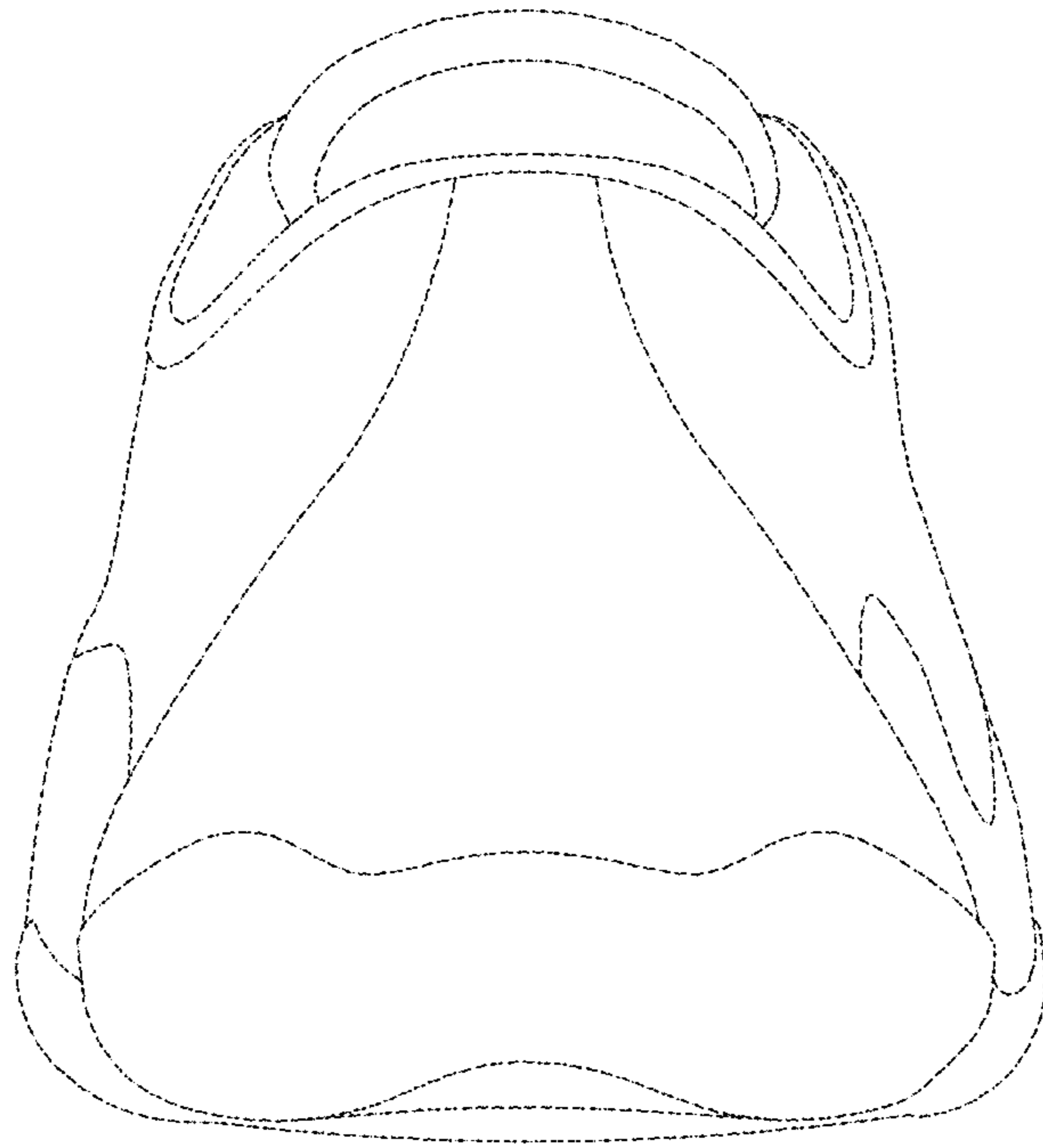


Fig. 11

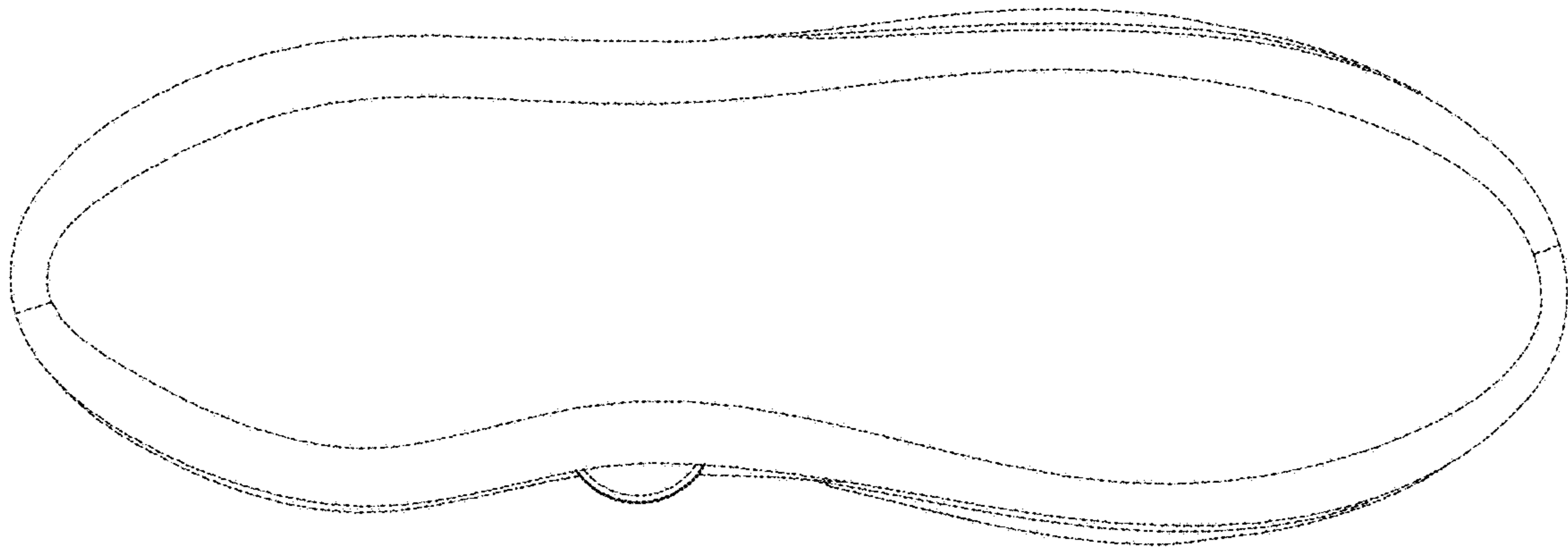


Fig. 12