



US00D776408S

(12) **United States Design Patent**
Comeau

(10) **Patent No.:** **US D776,408 S**
(45) **Date of Patent:** **** Jan. 17, 2017**

(54) **SANDAL**
(71) Applicant: **JPT GROUP, LLC**, Medina, MN (US)
(72) Inventor: **Dennis F. Comeau**, Tesuque, NM (US)
(73) Assignee: **JPT Group LLC**, Medina, MN (US)
(**) Term: **15 Years**

(21) Appl. No.: **29/536,441**
(22) Filed: **Aug. 17, 2015**
(51) **LOC (10) Cl.** **02-04**
(52) **U.S. Cl.**
USPC **D2/917**
(58) **Field of Classification Search**
USPC D2/916-91, 925, 926, 929-936, 942,
D2/969; 36/86, 100, 101, 45-49, 11.5,
36/8.1, 83, 88, 3 A, 7.5
CPC A43B 23/25; A43B 3/128; A43B 3/10;
A43B 3/122; A43B 3/24; A43B 3/12
See application file for complete search history.

(56) **References Cited**

U.S. PATENT DOCUMENTS

3,275,002 A * 9/1966 Scholl A43B 3/126
36/11.5
4,745,927 A * 5/1988 Brock A43B 7/26
36/140

4,813,162 A * 3/1989 Harris A43B 3/108
36/11.5
D569,081 S * 5/2008 Haft D2/919
D644,422 S * 9/2011 Selbiger D2/916
D665,155 S * 8/2012 Arnold D2/917
8,413,349 B2 * 4/2013 Krauss A43B 7/26
36/11.5

* cited by examiner

Primary Examiner — Holly Baynham

Assistant Examiner — Rashida C Walshon

(74) *Attorney, Agent, or Firm* — Alberto Q. Amatong, Jr.;
Amatong McCoy LLC

(57) **CLAIM**

The ornamental design for a sandal, as shown and described.

DESCRIPTION

FIG. 1 is a perspective view of a sandal showing my new design;

FIG. 2 is a top view thereof;

FIG. 3 is an enlarged front perspective view thereof;

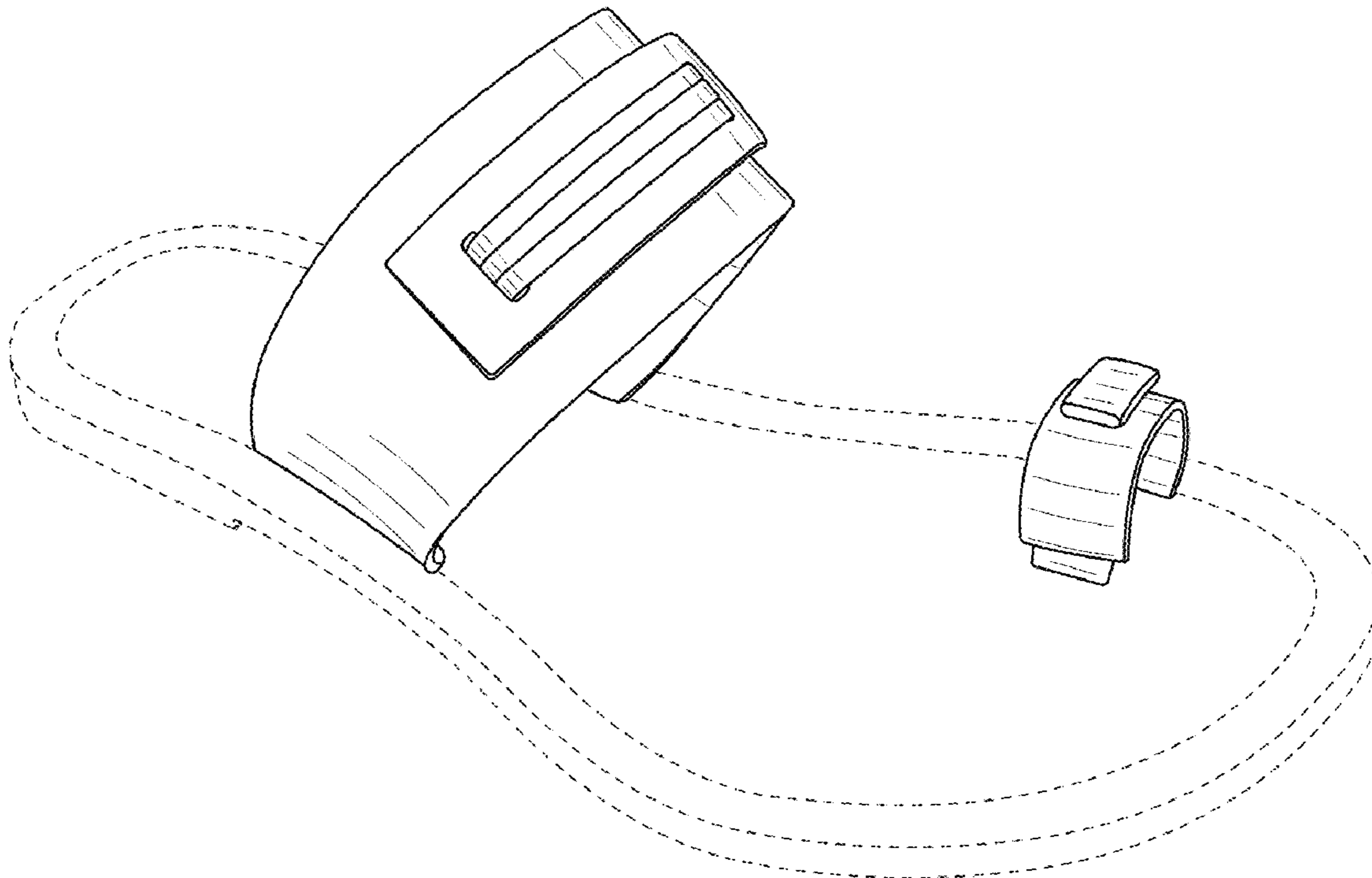
FIG. 4 is an enlarged rear perspective view thereof;

FIG. 5 is a left side elevation view thereof; and,

FIG. 6 is a right side elevation view thereof.

Broken lines immediately adjacent shaded areas represent unclaimed boundaries of the design. Broken lines showing the remaining of the sandal are for environmental purposes only and form no part of the claimed design.

1 Claim, 4 Drawing Sheets



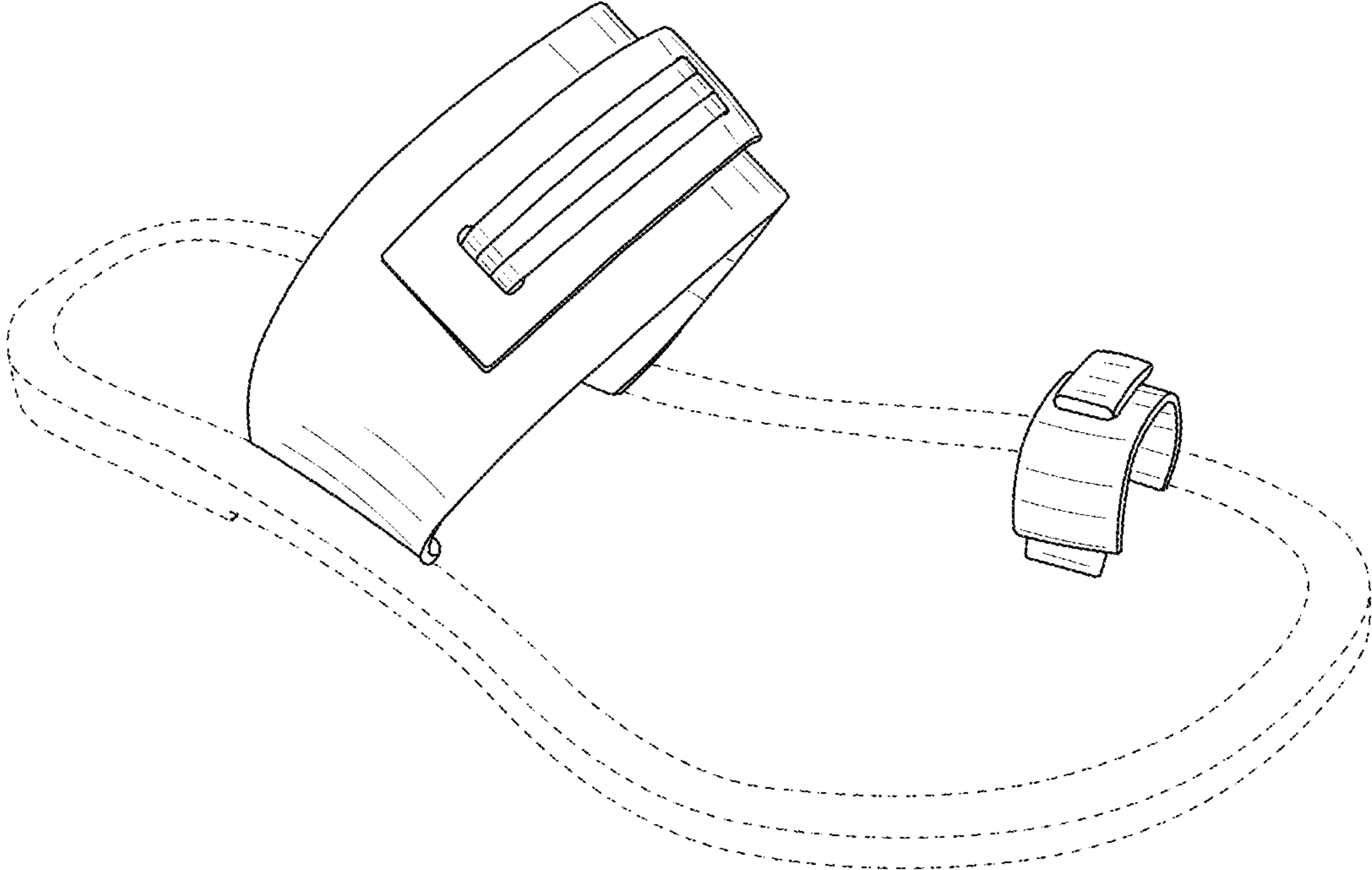


FIG. 1

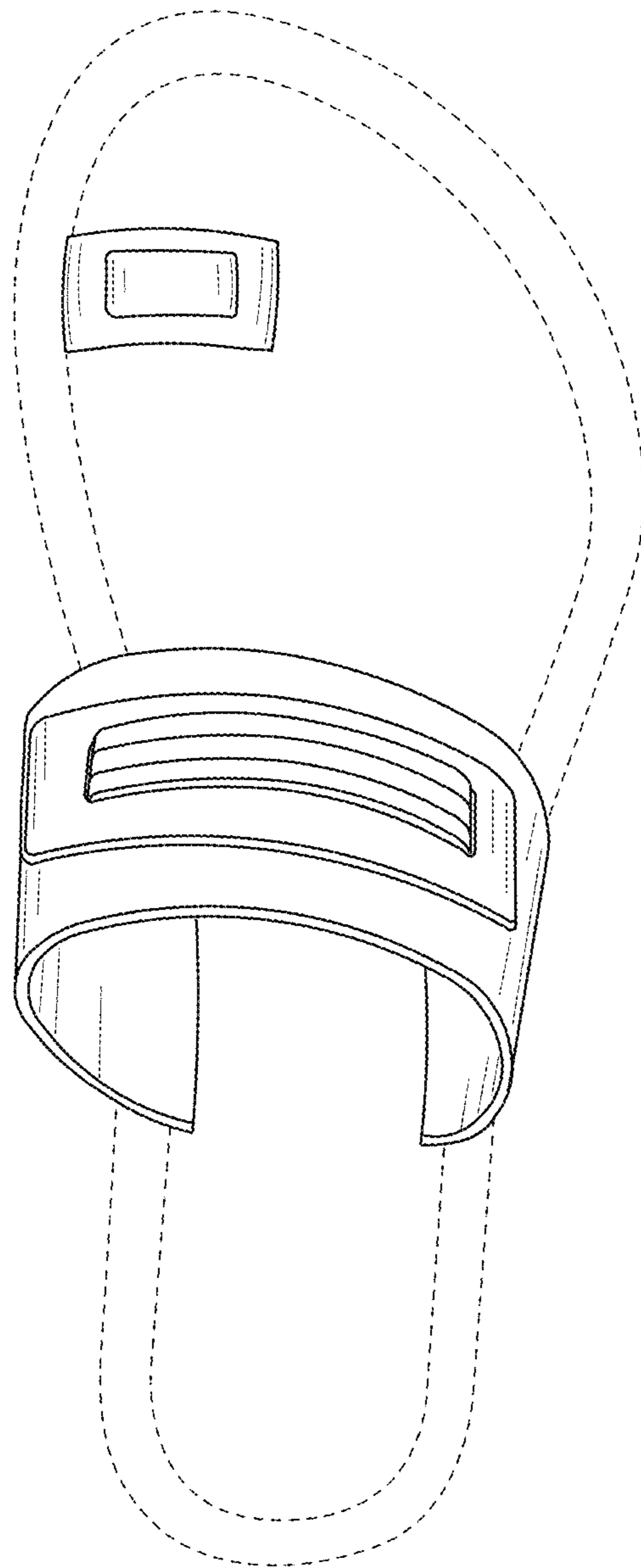


FIG. 2

FIG. 4

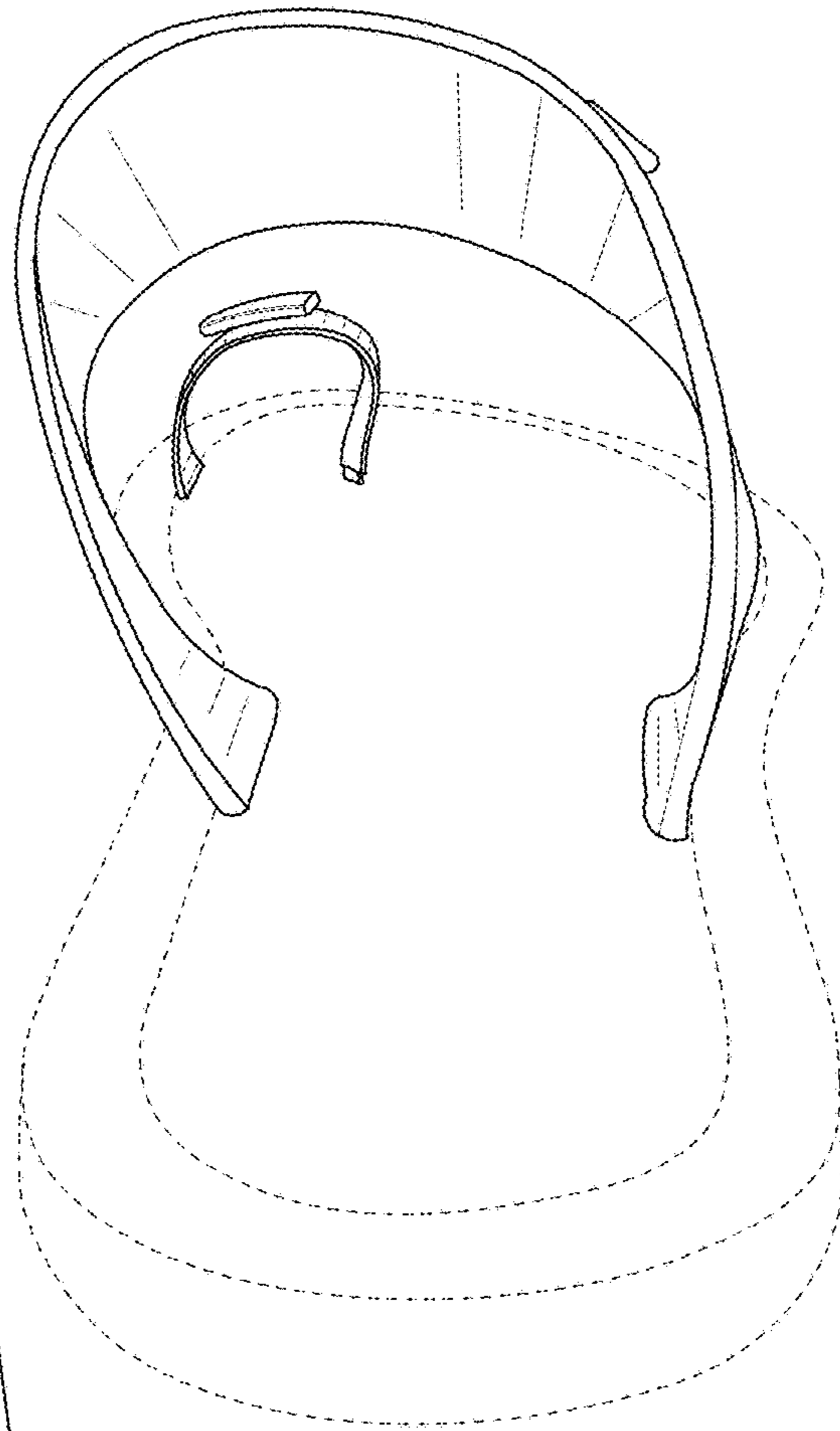
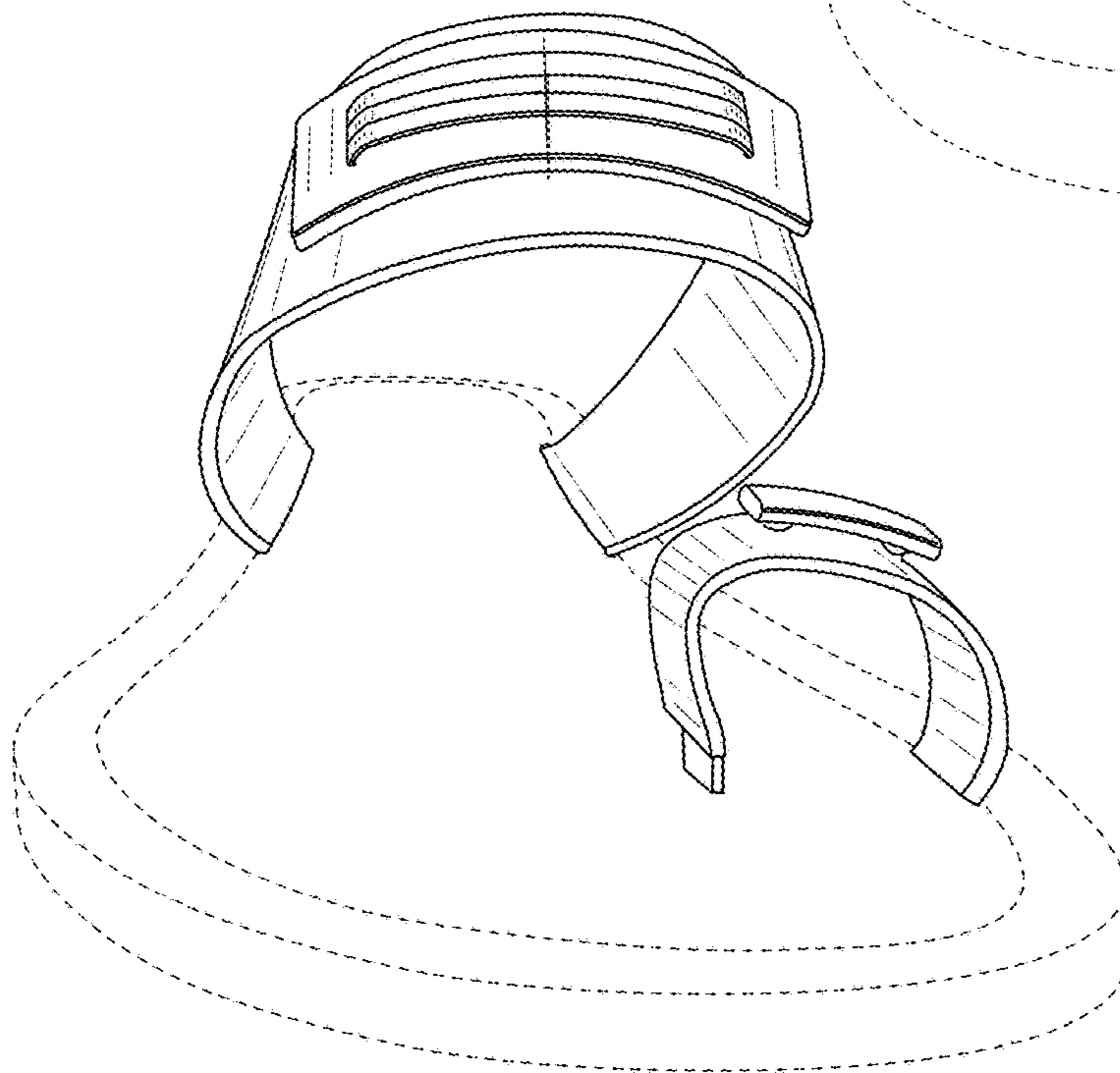


FIG. 3



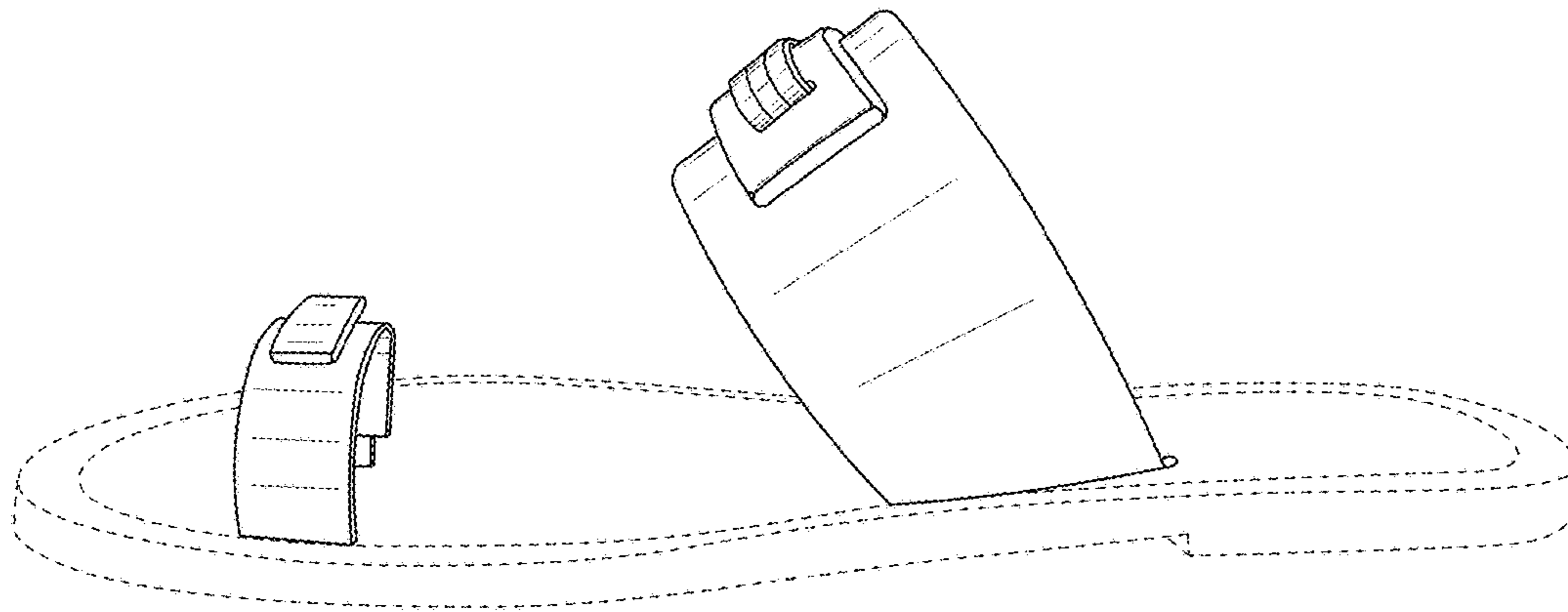


FIG. 5

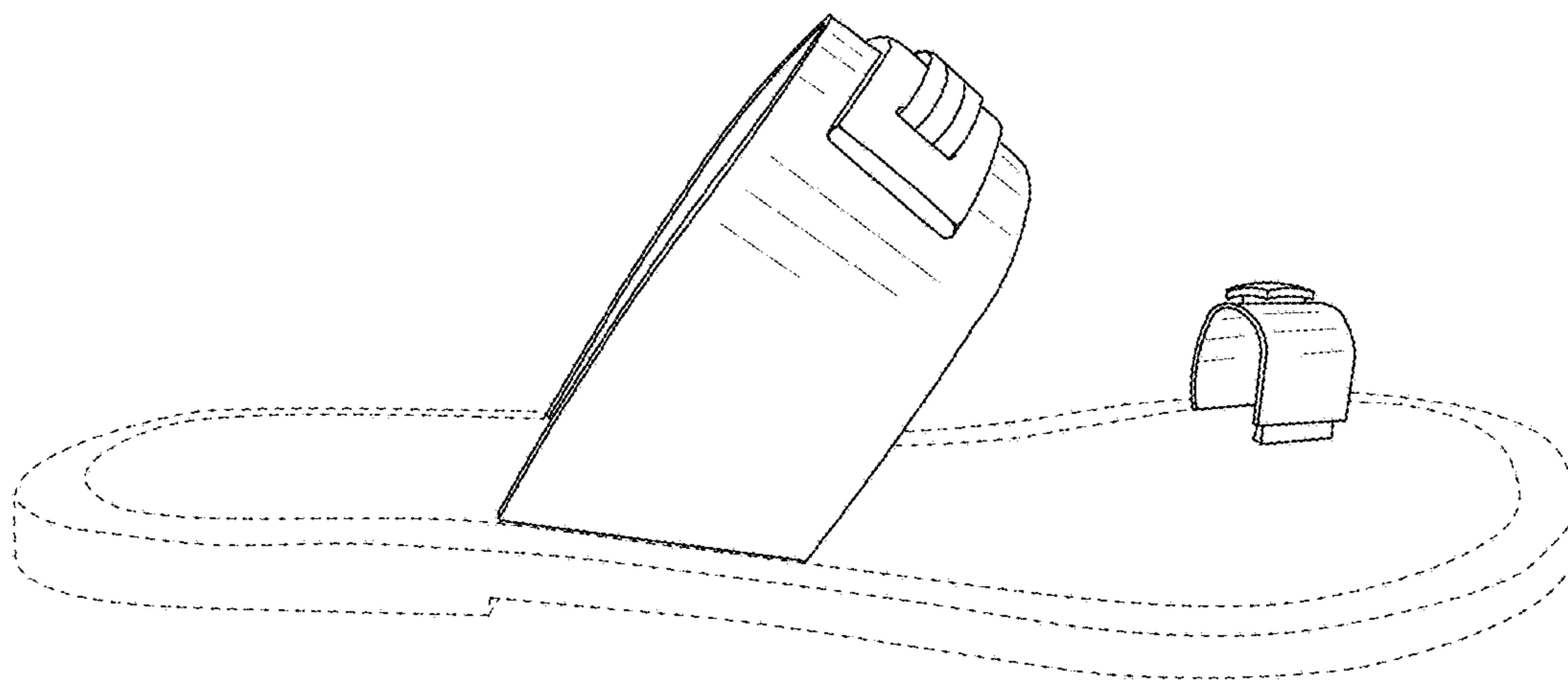


FIG. 6