



US00D776399S

(12) **United States Design Patent** (10) **Patent No.:** **US D776,399 S**
Yeon et al. (45) **Date of Patent:** **** Jan. 10, 2017**

(54) **AUTOMATED TELLER MACHINE**

(71) Applicant: **LG CNS CO., LTD.**, Seoul (KR)

(72) Inventors: **Je-Sung Yeon**, Seoul (KR); **Sang-Gu Lee**, Seoul (KR); **Woo-Youn Cho**, Seoul (KR)

(73) Assignee: **LG CNS CO., LTD.**, Seoul (KR)

(**) Term: **15 Years**

(21) Appl. No.: **29/529,349**

(22) Filed: **Jun. 5, 2015**

(30) **Foreign Application Priority Data**

Dec. 5, 2014 (KR) 30-2014-0059328

(51) **LOC (10) Cl.** **99-00**

(52) **U.S. Cl.**
USPC **D99/28**

(58) **Field of Classification Search**
USPC .. D99/28, 34, 25, 26, 43, 99; D14/300–302, D14/305, 307, 900–902; D18/3.1–3.3, D18/4.1–4.6, 12.1–12.3; D21/324, D21/325, 329, 369, 370; 101/66; 109/1 R, 109/1 V, 2, 23, 24.1, 25, 58, 58.5, 66; 446/8–13; 705/16, 17, 18, 42, 43, 44, 45; 235/51, 379, 380, 381, 382, 382.5, 386; 206/0.8, 0.81, 0.815, 0.82, 0.83, 0.84
CPC .. G06Q 20/10; G06Q 20/108; G06Q 20/1085; G06Q 20/18; G07D 1/00; G07D 1/02; G07D 1/04; G07D 1/06; G07D 11/00; G07D 9/002; G07D 9/04; G07F 19/20; G07F 19/201; G07F 19/202; G07F 19/203; G07F 19/204; G07F 19/205; G07F 19/21; G07F 19/00; G07F 7/04; G07F 5/00; G07F 1/00; E05G 7/001; E05G 1/006; A63H 33/00; A63G 33/005

See application file for complete search history.

(56) **References Cited**

U.S. PATENT DOCUMENTS

D279,577	S	*	7/1985	Kajita	D18/3.3
4,605,843	A	*	8/1986	Aubrey	G07C 9/02 235/33
4,694,963	A	*	9/1987	Takesako	G07D 11/0048 209/534
D295,109	S	*	4/1988	Nishida	D18/3.3
D394,458	S	*	5/1998	Watanabe	D20/10
D445,124	S	*	7/2001	Naito	D18/3.3
D448,910	S	*	10/2001	Kit	D99/28
D454,421	S	*	3/2002	Jeon	D18/3.3
D534,705	S	*	1/2007	Kang	D99/28
D574,417	S	*	8/2008	Gaze	D14/308
D574,418	S	*	8/2008	Gaze	D14/308
D574,419	S	*	8/2008	Gaze	D14/308
D574,420	S	*	8/2008	Gaze	D14/308

(Continued)

Primary Examiner — Elizabeth J Oswecki

(74) *Attorney, Agent, or Firm* — Saliwanchik, Lloyd & Eisenschenk

(57) **CLAIM**

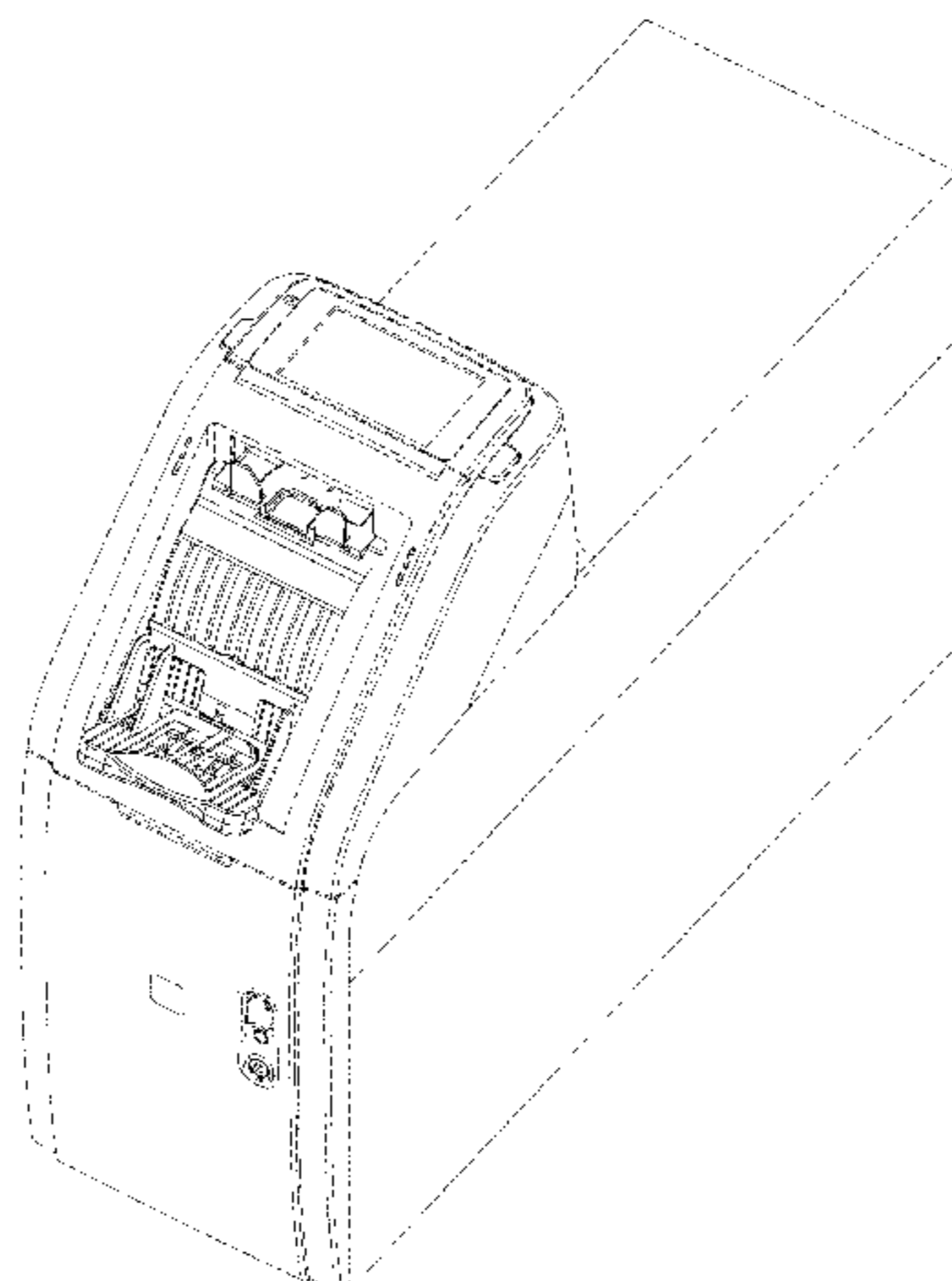
The ornamental design for an “automated teller machine,” as shown and described.

DESCRIPTION

FIG. 1 is a perspective view of an automated teller machine showing our new design;
FIG. 2 is front elevation view thereof;
FIG. 3 is rear elevation view thereof;
FIG. 4 is left-side elevation view thereof;
FIG. 5 is right-side elevation view thereof;
FIG. 6 is top plan view thereof; and,
FIG. 7 is bottom plan view thereof.

The broken lines shown in the drawings represent portions of the automated teller machine that form no part of the claimed design. Furthermore, the ring of small circles on the top surface, the small circle on the front horizontal surface, the small circle in the rectangle on the front vertical surface,

(Continued)



and the small circle on the bottom surface of the automated teller machine are shown in dashed lines and form no part of the claimed design.

1 Claim, 7 Drawing Sheets

(56)

References Cited

U.S. PATENT DOCUMENTS

D574,421 S *	8/2008	Gaze	D14/308
D574,422 S *	8/2008	Gaze	D14/308
D579,481 S *	10/2008	Gaze	D14/308
D579,482 S *	10/2008	Gaze	D14/308
D589,048 S *	3/2009	Nossek	D14/455
D618,875 S *	6/2010	Tougo	D18/3.3
D645,223 S *	9/2011	Bleck	D14/307
D674,985 S *	1/2013	Lee	D14/900
D724,813 S *	3/2015	Umeda	D99/34
D725,865 S *	3/2015	Cho	D99/28

* cited by examiner

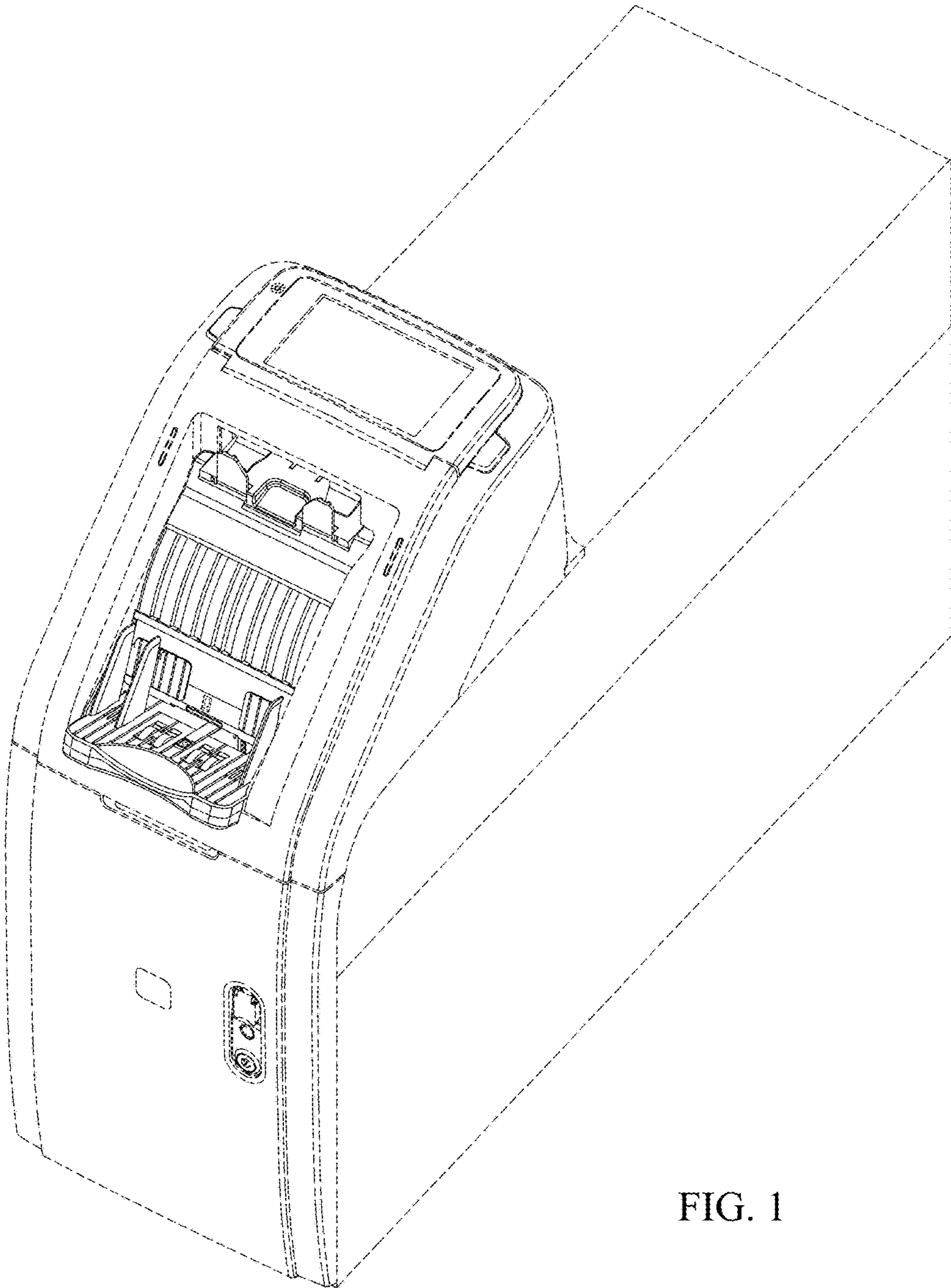


FIG. 1

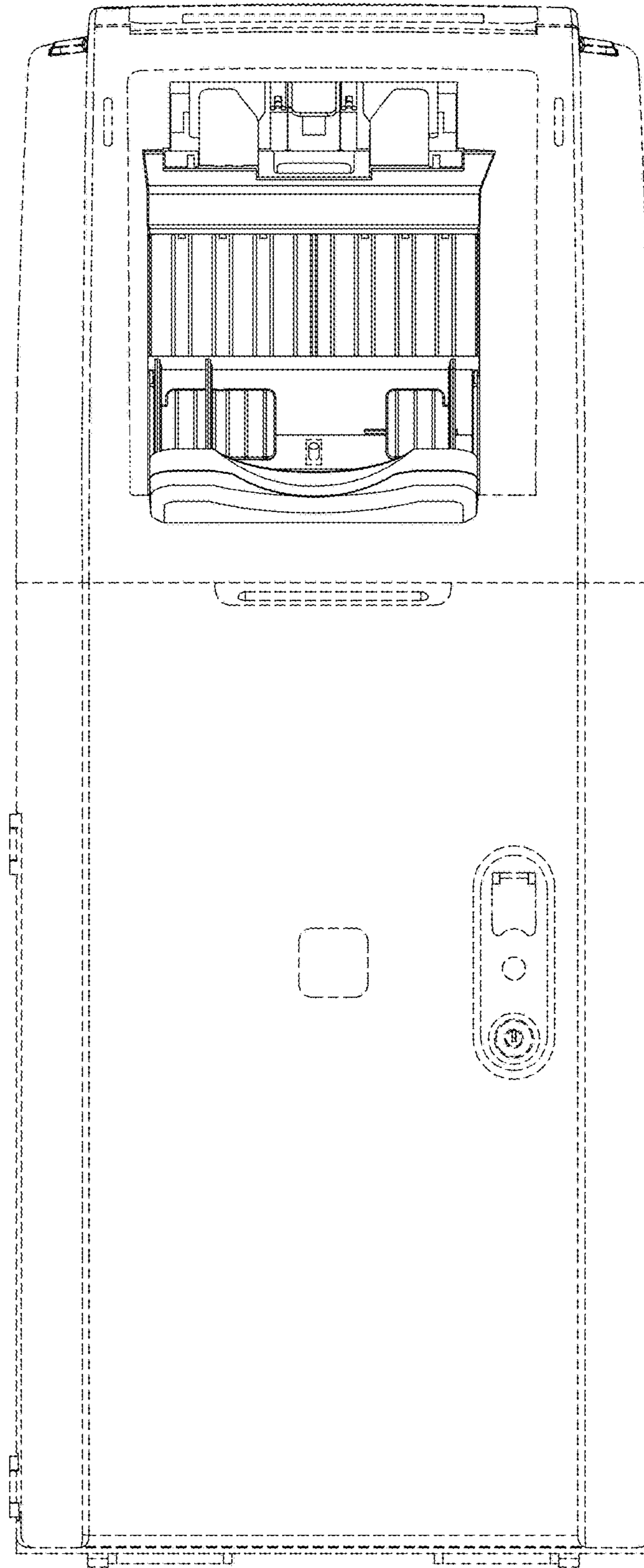


FIG. 2

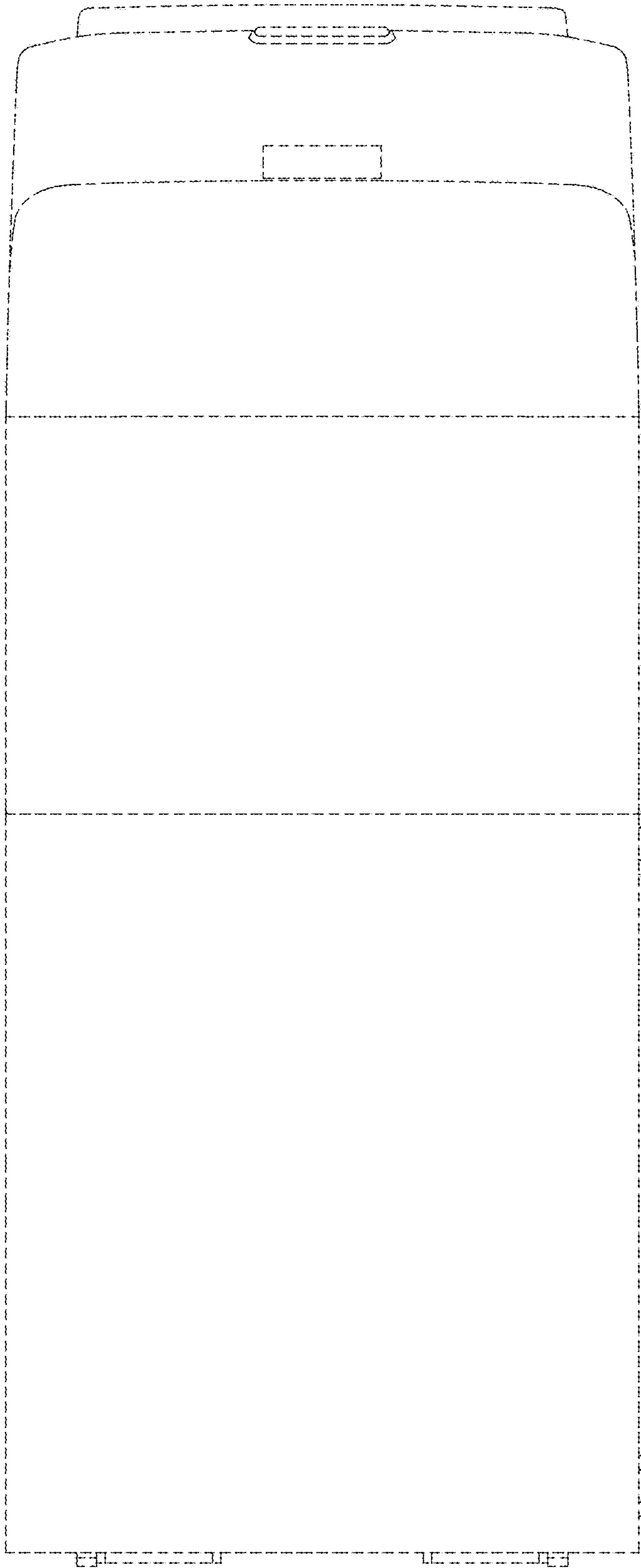


FIG. 3

FIG. 4

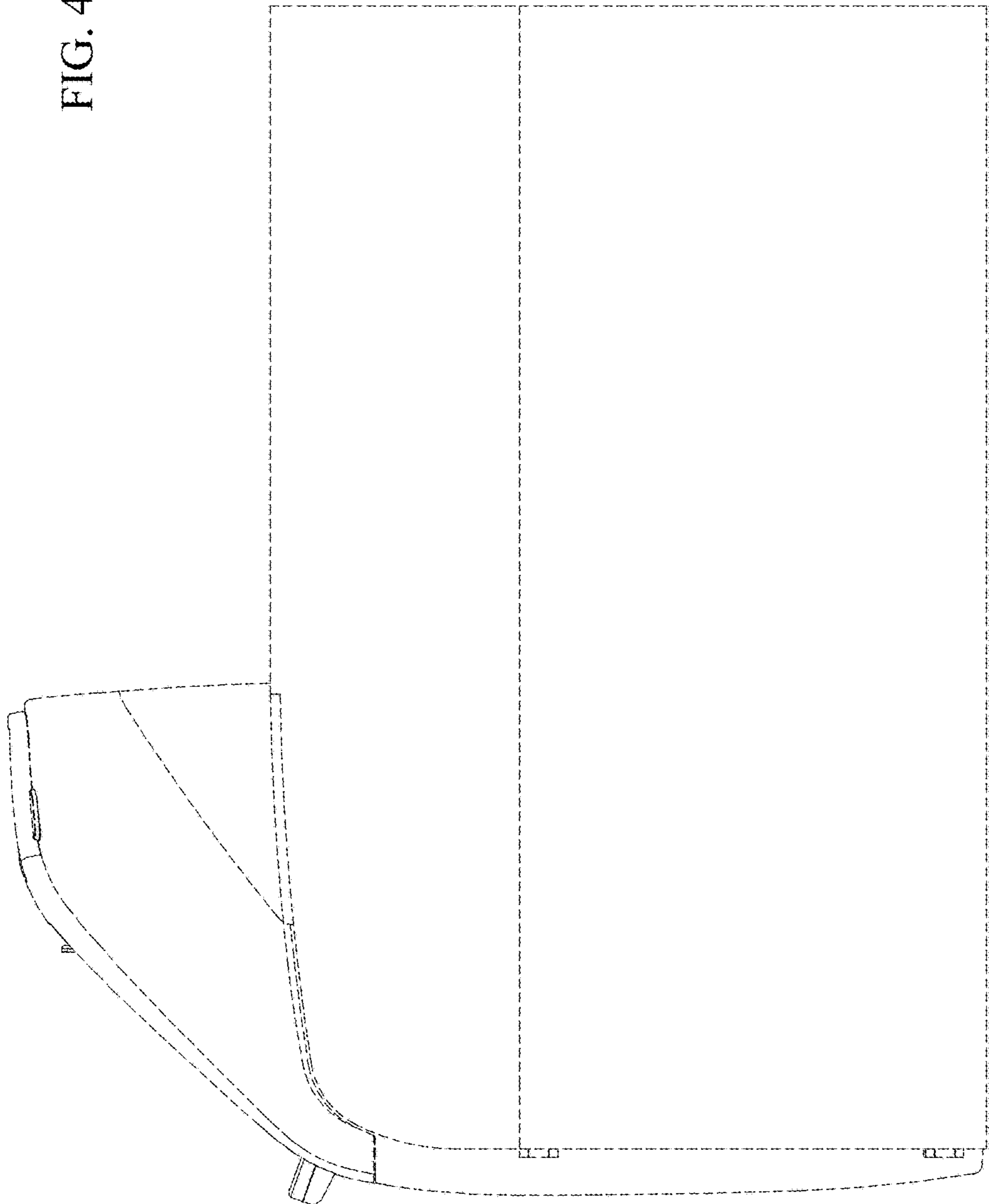
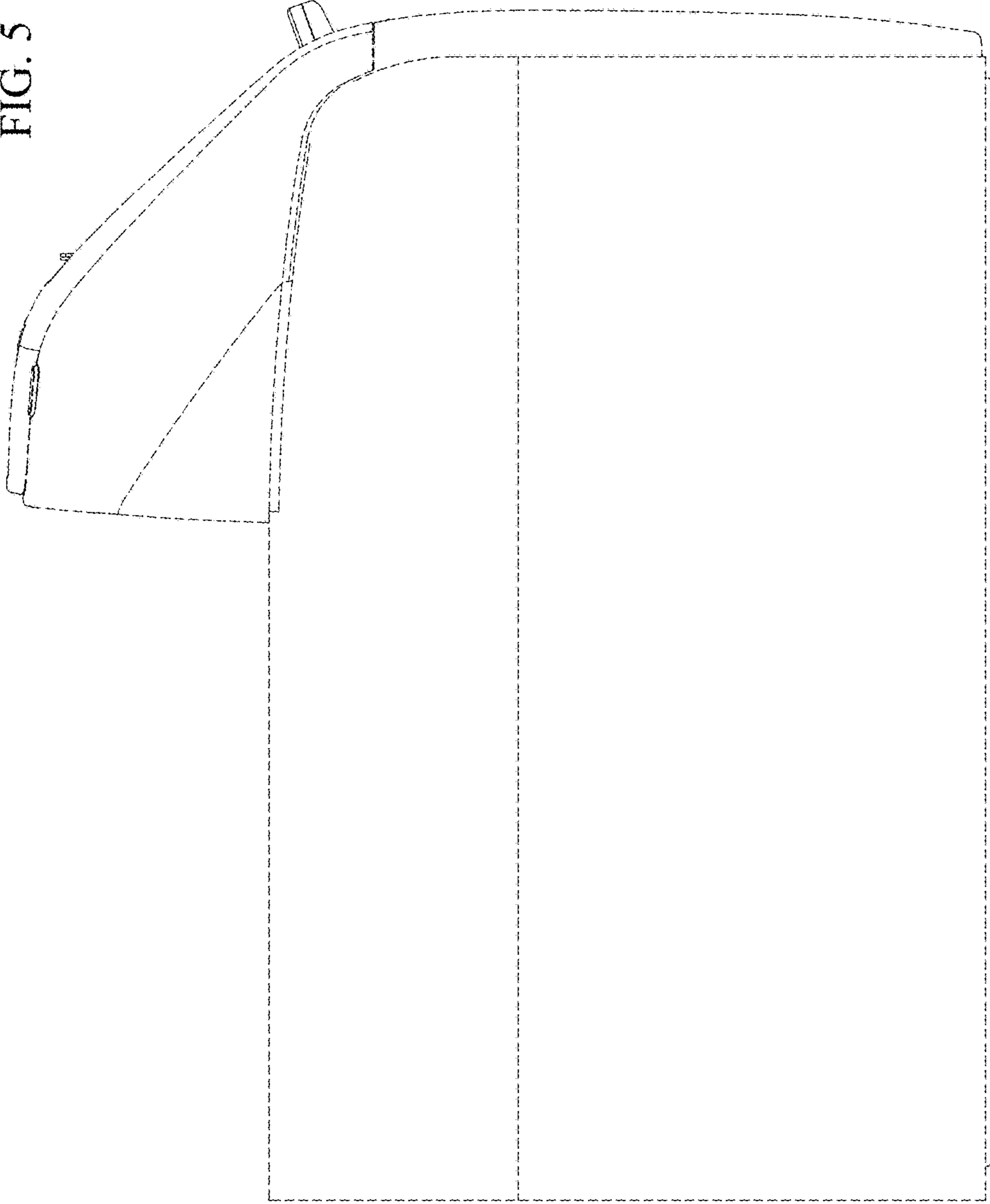


FIG. 5



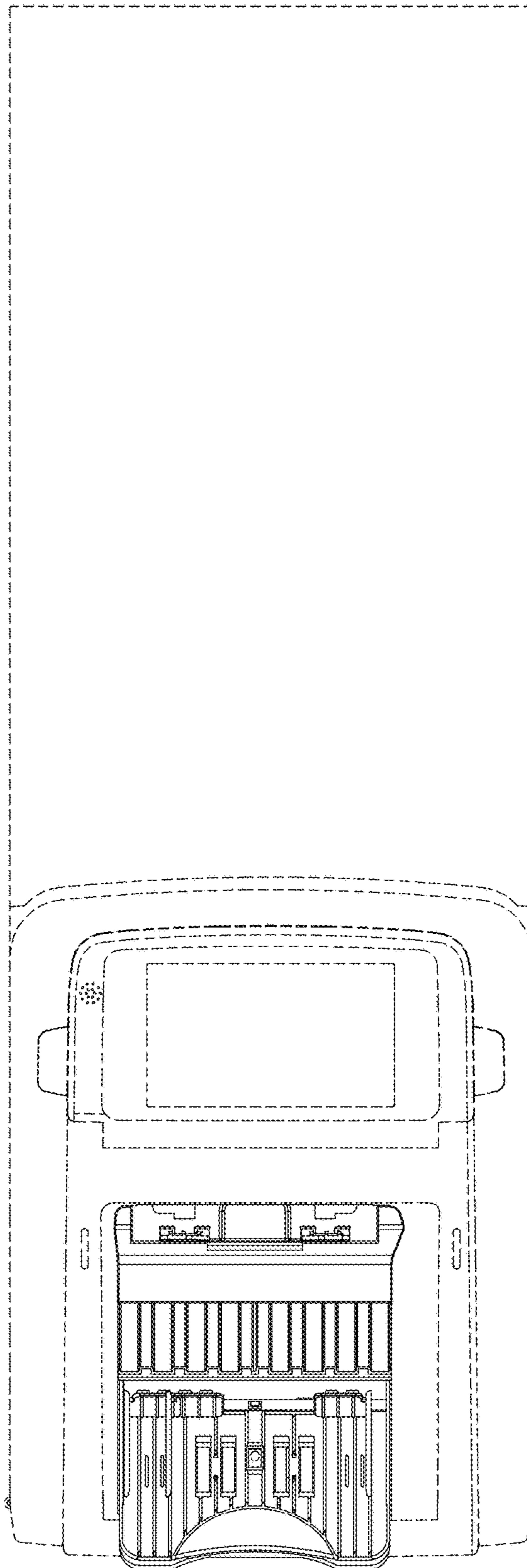


FIG. 6

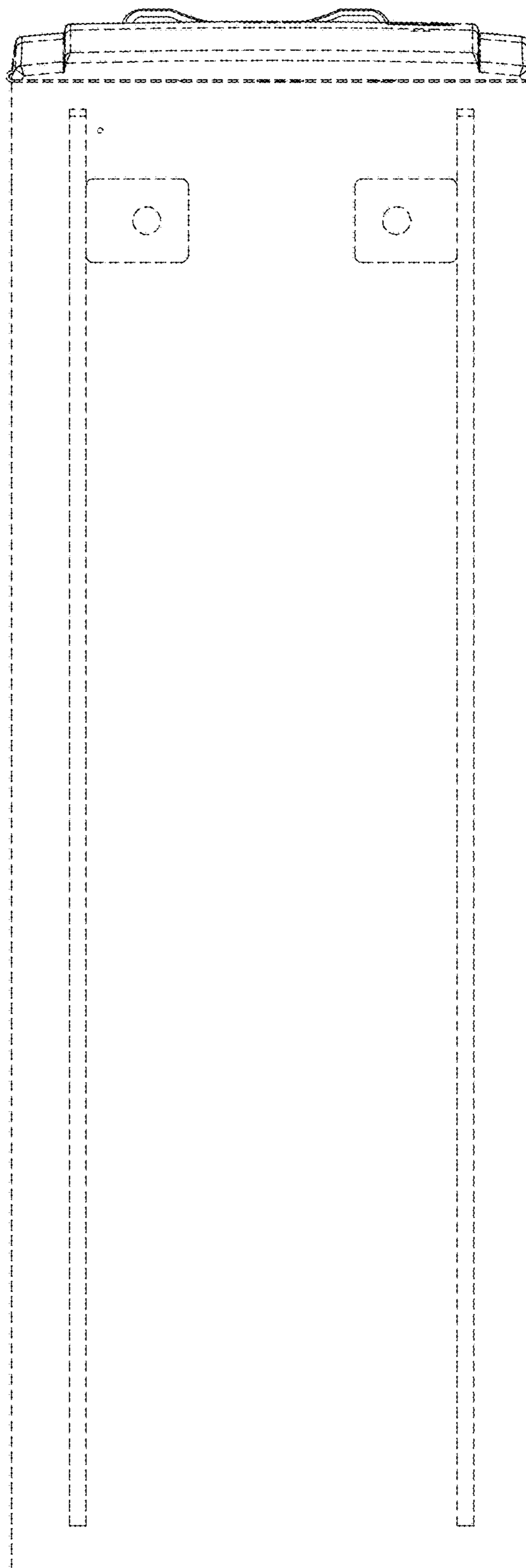


FIG. 7